

PARTS MANUAL

10. HYDRAULIC DIAGRAM INSTALLATION TURBINE SCHEME

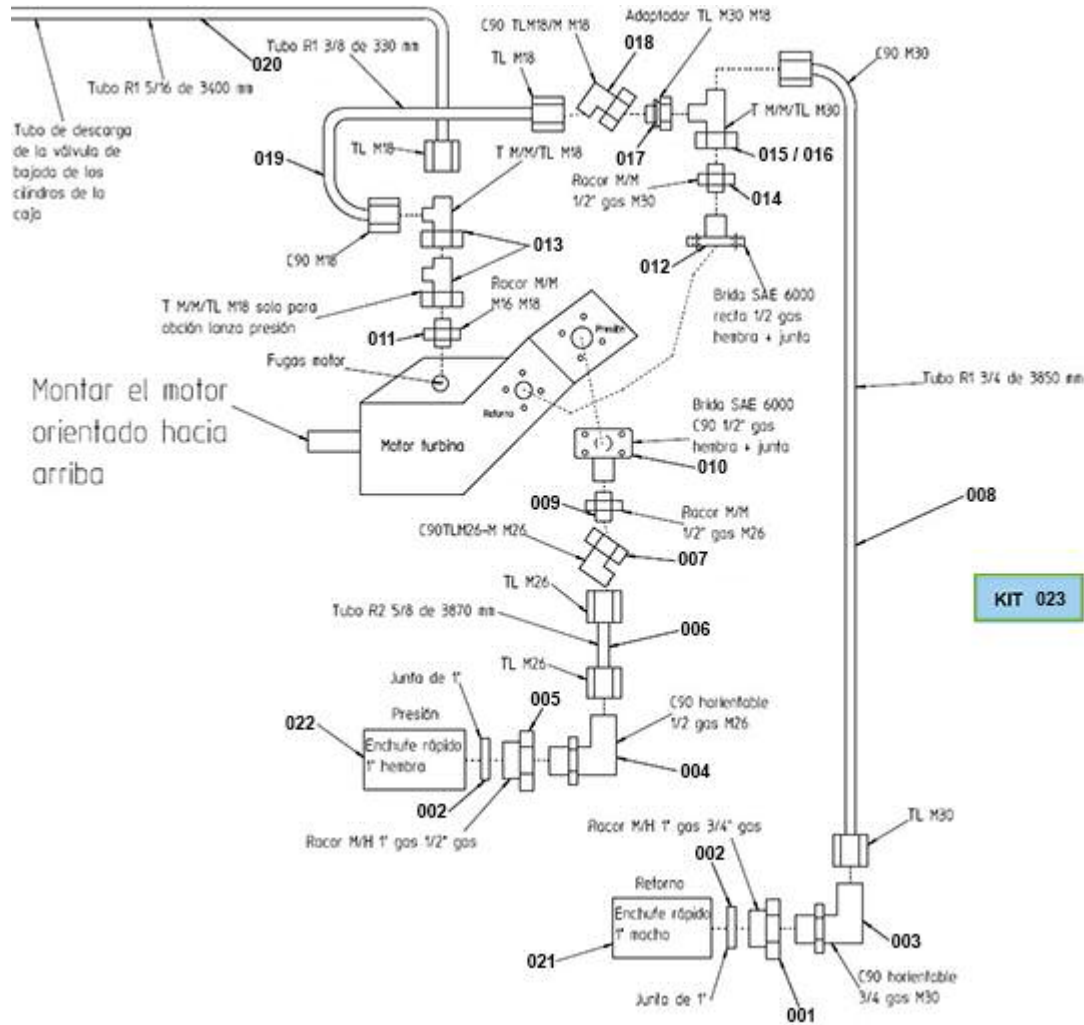


FIGURE	REFERENCE	DENOMINATION	AMOUNT
001	17.10177.00	RACOR M/H 1"BSP-3/4"BSP	1
002	43.13444.00	GASKET MET. BUNA	2
003	20.10558.00	FITTING C90MO/M 3/4"GAS-M30	1
005	12.10318.00	"NIPPLE M/H 1""G-1/2""G"	1
006	46.09383.00	TUBE R2T5/8 TLM26-TLM26-3870	1
007	48.10223.00	RACOR C90M/TL -M26X1,5	1
008	46.09382.00	TUBE R1T3/4 TLM30-C90TLM30-385	1
009	48.10433.00	RACOR M/M M26X1,5 / 1/2"BSP	1
010	48.09393.00	FLANGE SAE6000 C90 H 1/2	1
011	46.10846.00	FITTING M/M M16XM14	1
012	46.09393.00	FLANGE SAE 6000 H 1/2	1
013	70.10223.00	FITTING M/M/TL M18x1,5	2
014	48.10437.00		1
015	57.10311.00	FITTING TEE M/M/TL M30X2	1
016	48.10760.00	RACOR FORT M/M/TL M30X2 SP 420	1
017	48.10375.00	FITTING M/TL MM M18x1.5-TLM30x2	1

018	64.10308.00	WASHER DIN125	1
019	46.09381.00	TUBE R1T3/8 TLM18-C90TLM18-330	1
020	46.09384.00	TUBE R1T5/16 TLM18-TLM18-3400	1
021	48.10164.00	QUICK PLUG 1 ISO	1
022	48.10165.00	QUICK PLUG 1 ISO	1
023	46.09380.00	TUBE KIT FOR TURBINE ENGINE B400H	1

03. TRANSMISSION

HYDROSTATIC PUMP

CHASSIS: 67571

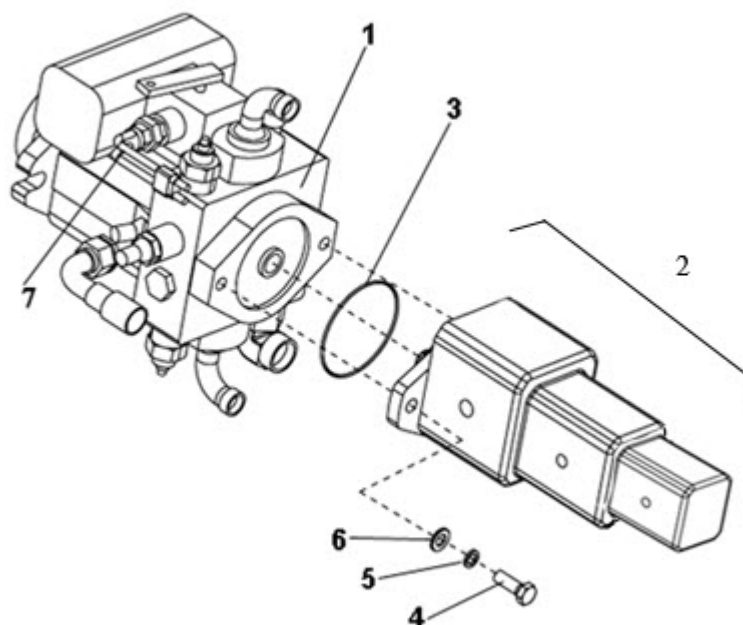


FIGURE	REFERENCE	DENOMINATION	AMOUNT
001	46.10010.02	PUMP OIL SAE B HIDROMATIC	1
002	46.10447.00		1
003	RXR909154589	O-RING 101.27X2.62NBR70S	1
004	604.12035.86	SCREW DIN931 M12x35	2
005	104.12000.00	WASHER DIN7980 D12	2
006	101.12000.66	WASHER DIN125 D12	2
007	RXR909830731		1

03. TRANSMISSION

HYDROSTATIC PUMP

CHASSIS: 70220

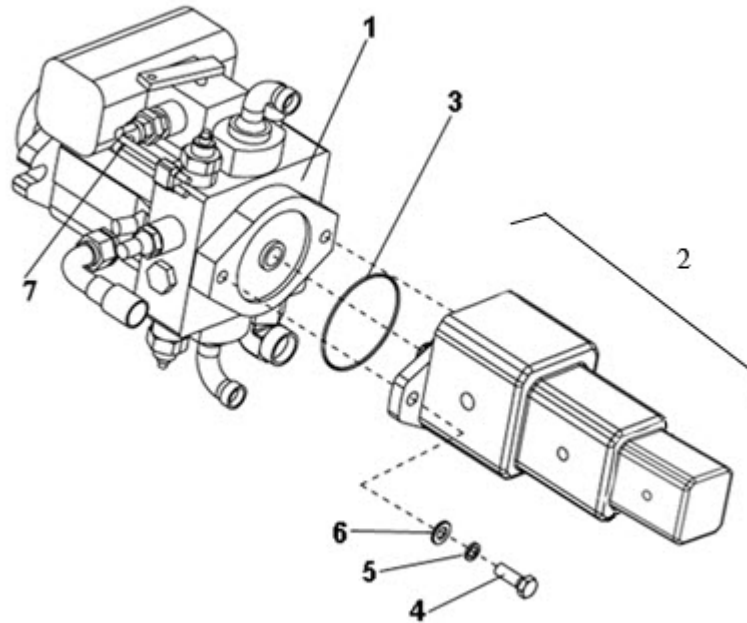


FIGURE	REFERENCE	DENOMINATION	AMOUNT
001	46.10010.02	PUMP OIL SAE B HIDROMATIC	1
002	46.10447.01	OIL PUMP 45-22-35	1
003	RXR909154589	O-RING 101.27X2.62NBR70S	1
004	604.12035.86	SCREW DIN931 M12x35	2
005	104.12000.00	WASHER DIN7980 D12	2
006	101.12000.66	WASHER DIN125 D12	2
007	RXR909830731		1

CHASSIS

RIGHT DRIVING CHASSIS

CHASSIS: 70220

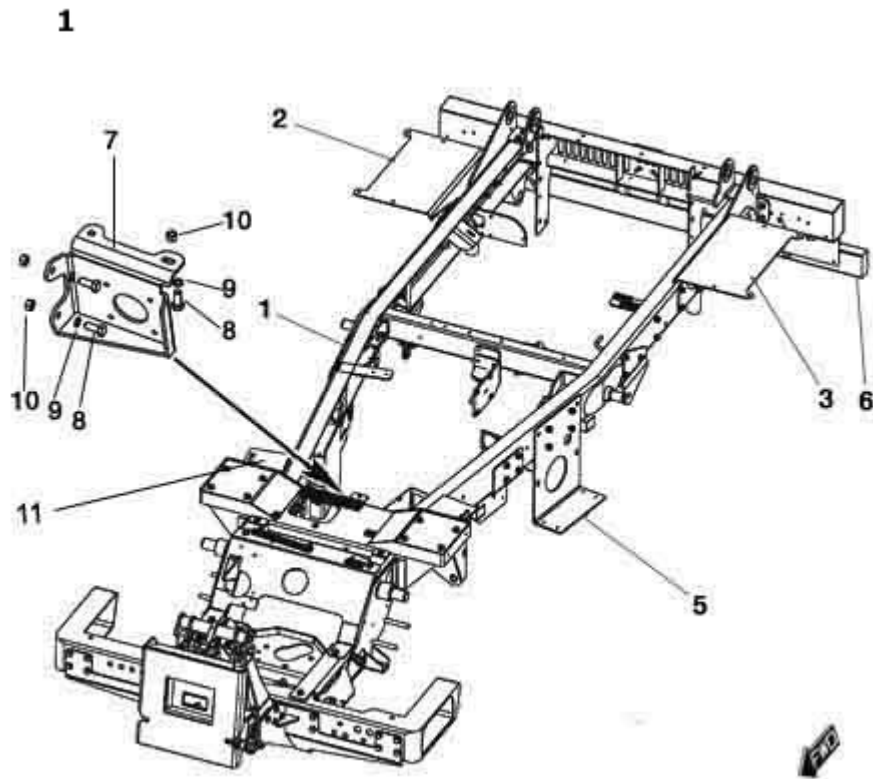


FIGURE	REFERENCE	DENOMINATION	AMOUNT
001	46.04500.02	FRAME	1
002	46.08556.00	FIXING SUPPORT	1
003	46.08558.00	MUD GUARD SUPPORT	1
005	46.04021.01	ANGULAR SUPPORT 126X300X420	1
006	46.08030.01	REAR BUMPER 55X1600	1
007	46.05180.03	FOOT PUMP SUPPORT	1
008	603.12030.86	SCREW DIN933 M12x30	4
009	104.12000.00	WASHER DIN7980 D12	4
010	701.12000.66	NUT DIN934 M12x1.75	4
011	46.04021.02		1

STEERING

STEERING (RIGHT DRIVING)

CHASSIS: 70220

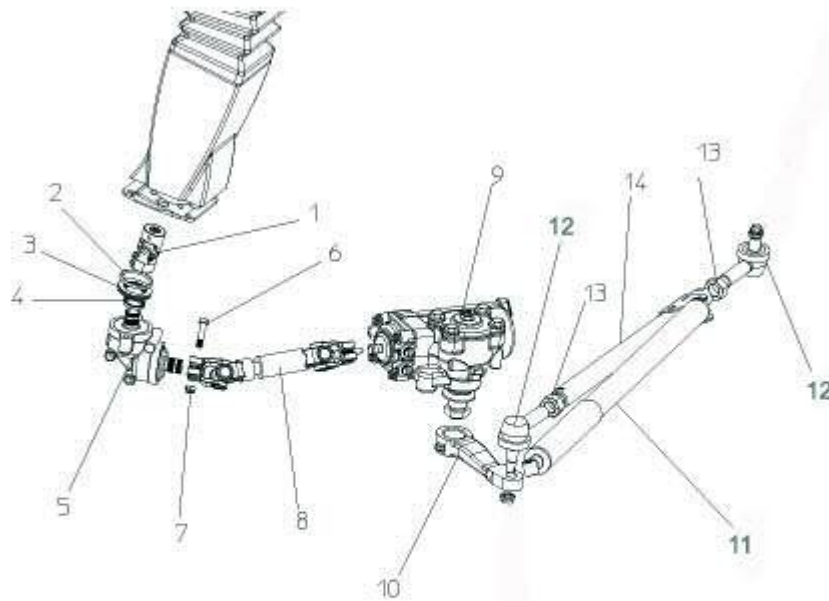


FIGURE	REFERENCE	DENOMINATION	AMOUNT
001	46.11226.00	STEERING CARDAN JOINT	1
002	201.05153.50	O-RING DIN3770	1
003	46.06600.00	STEERING SHEET SUPPLEMENT	1
004	228.30038.50	RASCADOR 30X38X5 DOBLE LABIO	1
005	46.06013.00	REMOTE FEEDBACK Coupling	1
006	604.10045.86	SCREW DIN931	1
007	720.10000.66	NUT	1
008	46.06017.06	Drive joint Max.405 Min.355	1
009	46.06011.00	RIGHT TRW MECHANIC STEERING	1
010	46.06014.01	RIGHT STEERING ROD	1
011	46.06114.10		1
012	16.01023.00	L BALL	2
013	708.24000.66	NUT	2
014	46.06216.01	RIGHT DIRECTIONAL BAR 540X80X42	1

CABIN

CABINE

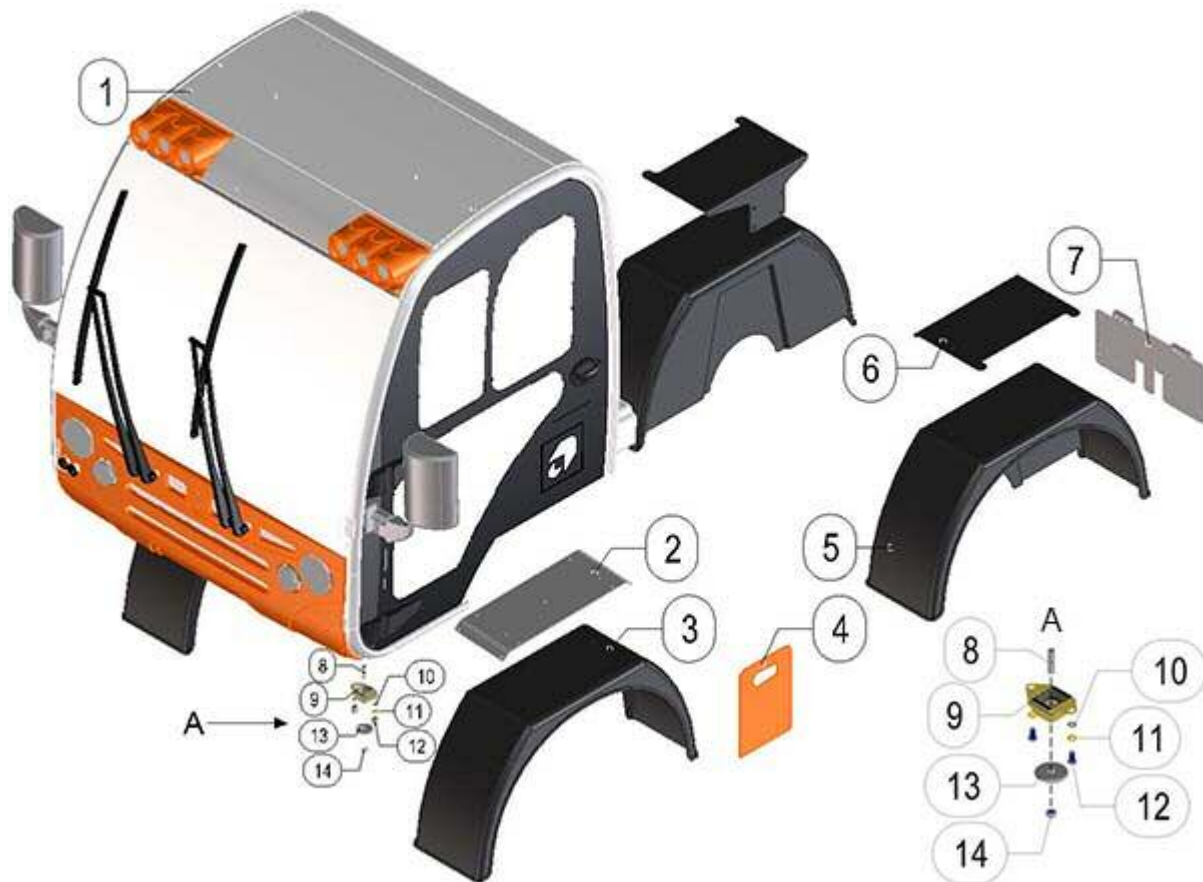


FIGURE	REFERENCE	DENOMINATION	AMOUNT
001A	46.08147.22	CLOSED CABIN LEFT STEERING WHEEL	1
001B	46.08147.23	CLOSED CABIN RIGHT STEERING WHEEL	1
002	46.08559.00	REINFORCEMENT 2X233X622	2
003	46.08450.00	BLACK MUDGUARD	2
004	46.10055.02	TANK COVER 2.5X248X358	2
005	46.08450.01	BLACK PLASTIC MUDGUARD	2
006	46.08556.00	FIXING SUPPORT	2
007	46.10753.01	SUPPORT 20X251.5X520	1
008	15.00357.00	STUD DIN939 M12x1,75	4
009	46.02060.00	SHOCK ABSORBER 38.5x60x120	4
010	101.10000.66	WASHER DIN125 D10	8
011	104.10000.00	WASHER DIN7980 D10	8
012	630.10020.96	SCREW ISO7380 M10x20	8
013	10.01317.00	WASHER DIN9021 12.5x59x5	4
014	720.12000.66	NUT M12 DIN985 AUTOLOCKING	4

CABIN

GLASS SET SIDES

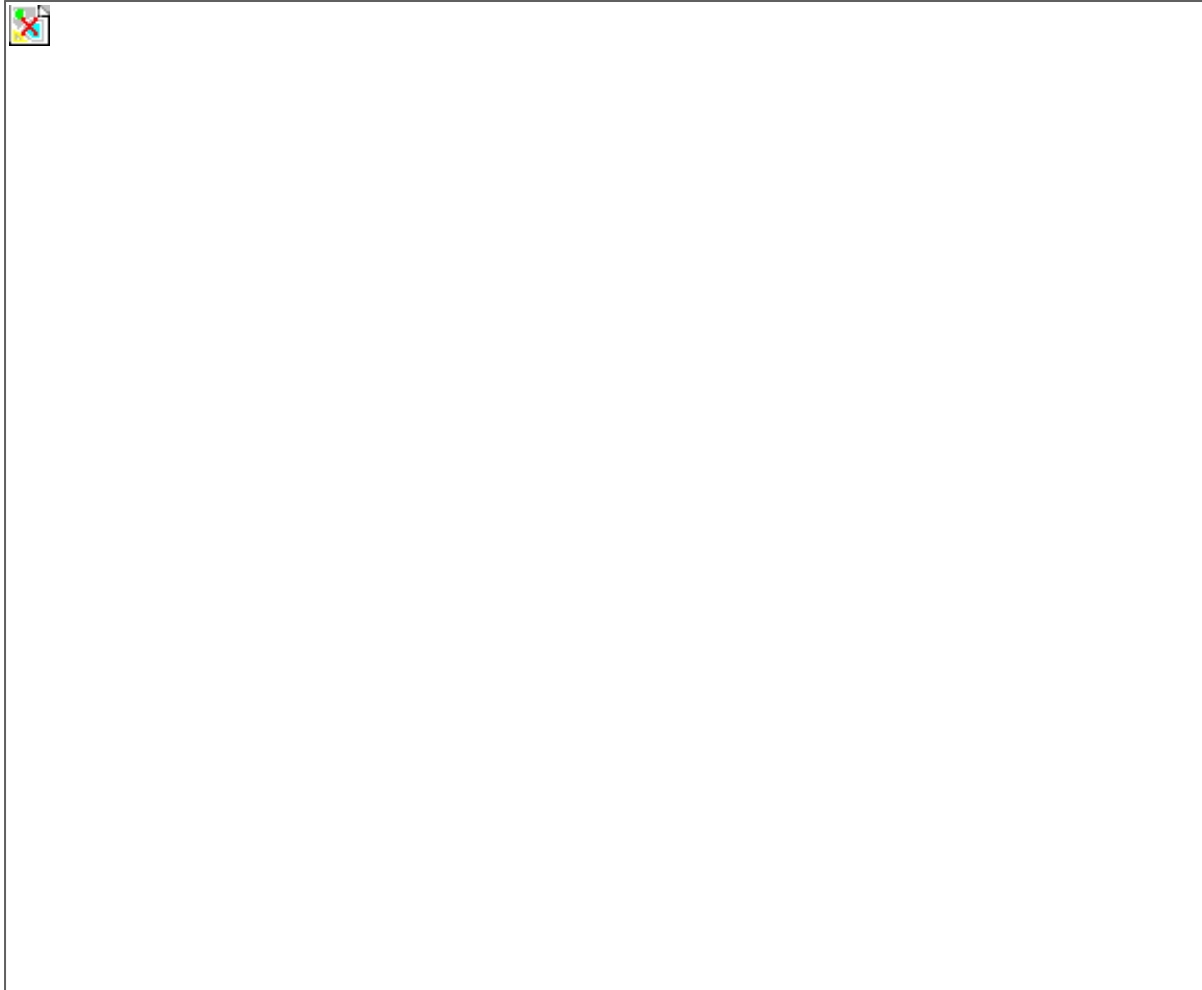


FIGURE	REFERENCE	DENOMINATION	AMOUNT
000A	46.08825.00	RIGHT DOOR ASSEMBLY + MIRROR	1
000B	46.08824.00	LEFT DOOR ASSEMBLY + MIRROR	1
001	46.82039.00	LEFT SIDE DOOR GLASS	1
002	46.08351.01		1
003	46.08774.00	CAP GPN M6	8
004	46.08741.00	LEFT LOCK JOINT PROFILE	1
005	46.08729.00	DOUBLE GLASS RUBBER 5M	2
006	46.82045.00	HINGE	2
007	46.82044.00	HINGE	2
008	46.08509.00	FEMALE PLASTIC HINGE	4
009	603.06090.86	BOLT DIN933 M6x90	4
010	720.06000.NX	NUT DIN985 M6 SELF-LOCK	4
011	46.08742.00	BOLT 8x60 INOX A-2	8
012	46.08743.00	BOLT 8x50 INOX A-2	4
013	46.82048.00	LEFT REAR VIEW MIRROR	1
014	113.06000.66	WASHER DIN6798 A Ø6	6

015	630.06025.96	SCREW ISO7380 M6x25	2
016	46.82124.00	BOLT ISO7380 M8x20/1,25	6
017	46.08744.00	SHEET	2
018	46.08745.00	BOLT DIN965 6x20	4
019	MA.10007.00	KNOB	3
020	624.06018.66	SCREW	6
021	46.08746.00	KIT HINGE COUPLING	1
022	46.08506.00	KNUKLE	4
023	46.08513.00	WASHER DIN6798 Ø8 CAB	10
024	720.08000.66	NUT DIN985 M8 AUTOLOCKING	8
025	46.08747.00	SHOCK ABSORBER, 100N	2
026	46.08521.00	RING	4
027	46.08748.00	RUBBER JOINT	2
028	46.08749.00	RUBBER JOINT	2
029	46.08750.00	KIT HINGE SUPPORT COUPLING	1
030	MA.10010.00	WASHER	6
031	630.08025.96	SCREW ISO7380	2
032	46.08751.00		2
033	113.12000.66	WASHER	2
034	46.08752.00	WASHER 13x32x3 ZN	2

CABIN GLASS SET SIDES

FIGURE	REFERENCE	DENOMINATION	AMOUNT
035	46.08753.00	LOCK PIN	2
036	46.82078.00	LOCK	2
036A	46.08979.00	KEYS	2
037	46.08754.00	LEFT LOCK PLAQUE SUPPORT	1
038	46.08755.00	RIGHT LOCK JOINT PROFILE	1
039	MA.10009.00	WASHER DIN9021 6X18X1,5	6
040	46.08756.00	BOLT DIN7985 6x40	6
041	46.08757.00	LEFT LOCK	1
042	618.08030.86	FLAT HEAD SOCKET CAP SCREW DIN7991 M8x30	4
043	46.82069.00	RIGHT SIDE DOOR GLASS	1
044	46.08758.00	LEFT DOOR BRACE	1
045	MA.10050.00	RUBBER WASHER 20X40	12
046	MA.10027.00	INSERTED NUT M8	6
047	46.08759.00	RIGHT DOOR BRACE	1
048	46.08760.00	CAP 19MM.	4
049	46.08761.00	KIT HINGE COUPLING	1
050	46.08762.00	KIT HINGE SUPPORT COUPLING	1

051	46.08763.00	RIGHT LOCK PLAQUE SUPPORT	1
052	46.08764.00	RIGHT LOCK	1
053	46.82079.00	RIGHT REAR MIRROR	1
054	46.08765.00	LEFT DOOR FRONT BRACE	1
055	46.08766.00	RIGHT DOOR FRONT BRACE	1
056	46.00153.00		1
057	46.08767.00	CAP	6
058	46.08768.00	SUPLEMENT	2
059	46.08769.00	SUPLEMENT	2
060	MA.10067.00	SCREW	2
061	46.08773.00	PLASTIC SHEET	4
062	630.08020.97		8
063	46.08350.01	RIGHT FRONT LATERAL ASSEMBLY	1
064	46.08772.00	RUBBER JOINT	4

CABIN

RIGHT WHEEL DRIVE FRONT SET



FIGURE	REFERENCE	DENOMINATION	AMOUNT
001	46.82000.03	Windscreen	1
002	46.08729.00	DOUBLE GLASS RUBBER 5M	1
003	MA.10030.00	NUT DIN1587	3
004	618.05040.86	FLAT HEAD SOCKET CAP SCREW DIN7991 M5x40	5
005	46.08730.00	WINDSCREEN-WIPER MOTOR SUPPORT	1
006	624.06018.66	SCREW	2
007	MA.10009.00	WASHER DIN9021 6X18X1,5	2
008	720.06000.66	NUT	4
009	101.08000.66	WASHER DIN125 D8	2
010	46.08562.00	WINDSHIELD MOTOR	1
011	46.08612.00	WINDSCREEN-WIPER TRANSMISSION	1
012	46.08572.00	SCREW DIN7985 M5X12	2
013	46.11077.00	OUTTER BEACON FIXING	2
014	46.82010.00	LOWER DRIVING BEACON	2
015	46.08731.00	INNER RIGHT BEACON FIXING	1
016	46.08732.00	BEACON MOTOR FIXING	2
017	46.11075.00	BEACON HEIGHT REGULATOR MOTOR	2
018	46.08733.00	BOLT DIN7985 5x25	4

019	46.08734.00	LEFT INNER FIXING BEACON	1
020	46.08556.00	FIXING SUPPORT	6
021	46.08560.00	BOLT 4,2x16 DIN7504	4
022	MA.10025.00	CABLE GROMMET	1
023	46.11079.00	BEACON REG. PROTECTOR	2
024	46.08598.00	ADHESIVE, PVC 10x5x440	2
025	46.08735.00	BUSHING 35x20x20	4
026	46.82006.00	LOWER INTERMITTENT	2
027	630.06025.96	SCREW ISO7380 M6x25	4
028	46.08670.01	WINDSCREEN WIPER ARM	1
029	46.08571.00	WINDSCREEN WIPER BLADE	2
030	46.08080.00R9001		1
030	46.08080.00R9010		1
030	46.08080.00	EXTERNAL CASE	1
031	46.82014.00	BUSHING	2
032	630.06016.96	BOLT ISO7380 M6x16	6
033	46.08736.00	PLASTIC CAP	2
034	46.08615.00	SCREW 6x20 PHILIPS DIN7985	8

CABIN

RIGHT WHEEL DRIVE FRONT SET

FIGURE	REFERENCE	DENOMINATION	AMOUNT
035	46.08602.00	FITTING	2
036	46.08603.00	FITTING TEE	1
037	101.06000.66	WASHER DIN125 D6	2
038	46.08099.00	AUSA BADGE	1
039	46.08737.00	PIPE L=300 MM	1
040	46.08738.00	PIPE L=70 MM	2
041	46.15017.00		2
042	46.08739.00	PIPE L=4200 MM	1
043	720.05000.66	NUT DIN985 M5	8
044	720.04000.66	NUT DIN985 M4	6
045	601.05015.86	SCREW 6X10 ALLEN C/CYLINDR.	2
046	46.08128.00	REAR-VIEW MIRROR	1
047	46.08129.00	REAR-VIEW MIRROR ARM	1
048	MA.20045.00	MIRROR FIXING FLANGE	1
049	603.08035.87	SCREW 8X35/1.25 DIN 933 INOX.A-2	1
050	720.08000.62	NUT M8/125 AUTOLOCKING DIN985 INOX.	1

CABIN

LEFT WHEEL DRIVE FRONT SET



FIGURE	REFERENCE	DENOMINATION	AMOUNT
001	46.82000.03	Windscreen	1
002	46.08729.00	DOUBLE GLASS RUBBER 5M	1
003	MA.10030.00	NUT DIN1587	3
004	618.05040.86	FLAT HEAD SOCKET CAP SCREW DIN7991 M5x40	5
005	46.08730.00	WINDSCREEN-WIPER MOTOR SUPPORT	1
006	624.06018.66	SCREW	2
007	MA.10009.00	WASHER DIN9021 6X18X1,5	2
008	720.06000.66	NUT	4
009	101.08000.66	WASHER DIN125 D8	2
010	46.08562.00	WINDSHIELD MOTOR	1
011	46.08612.00	WINDSCREEN-WIPER TRANSMISSION	1
012	46.08572.00	SCREW DIN7985 M5X12	2
013	46.11077.00	OUTTER BEACON FIXING	2
014	46.82010.00	LOWER DRIVING BEACON	2
015	46.08731.00	INNER RIGHT BEACON FIXING	1
016	46.08732.00	BEACON MOTOR FIXING	2
017	46.11075.00	BEACON HEIGHT REGULATOR MOTOR	2
018	46.08733.00	BOLT DIN7985 5x25	4

019	46.08734.00	LEFT INNER FIXING BEACON	1
020	46.08556.00	FIXING SUPPORT	6
021	46.08560.00	BOLT 4,2x16 DIN7504	4
022	MA.10025.00	CABLE GROMMET	1
023	46.11079.00	BEACON REG. PROTECTOR	2
024	46.08598.00	ADHESIVE, PVC 10x5x440	2
025	46.08735.00	BUSHING 35x20x20	4
026	46.82006.00	LOWER INTERMITTENT	2
027	630.06025.96	SCREW ISO7380 M6x25	4
028	46.08670.01	WINDSCREEN WIPER ARM	1
029	46.08571.00	WINDSCREEN WIPER BLADE	2
030	46.08080.00R9001		1
030	46.08080.00R9010		1
030	46.08080.00	EXTERNAL CASE	1
031	46.82014.00	BUSHING	2
032	630.06016.96	BOLT ISO7380 M6x16	6
033	46.08736.00	PLASTIC CAP	2
034	46.08615.00	SCREW 6x20 PHILIPS DIN7985	8

CABIN

LEFT WHEEL DRIVE FRONT SET

FIGURE	REFERENCE	DENOMINATION	AMOUNT
035	46.08602.00	FITTING	2
036	46.08603.00	FITTING TEE	1
037	101.06000.66	WASHER DIN125 D6	2
038	46.08099.00	AUSA BADGE	1
039	46.08737.00	PIPE L=300 MM	1
040	46.08738.00	PIPE L=70 MM	2
041	46.15017.00		2
042	46.08739.00	PIPE L=4200 MM	1
043	720.05000.66	NUT DIN985 M5	8
044	720.04000.66	NUT DIN985 M4	6

CABIN BACK SET



FIGURE	REFERENCE	DENOMINATION	AMOUNT
001	46.08775.00	REAR GLASS	1
002	46.08501.00	CABIN RUBBER PROFILE (5 METERS)	1
003	MA.10030.00	NUT DIN1587	3
004	46.08776.00	BOLT DIN7982 5.5x25	3
005	46.08005.00	TANK 5 L	1
006	112.06000.NX	WASHER DIN9021 Ø6	14
007	720.06000.NX	NUT DIN985 M6 SELF-LOCK	14
008	46.08777.00	PROFILE	1
009	MA.10068.00	BOLT M8X16X1.25 ISO7380	4
010	603.03025.86	BOLT DIN933 M3x25	12
011	46.08778.00		1
012	46.08150.56	SUPPORT	1
013	46.08779.00		1
014	MA.10025.00	CABLE GROMMET	1
015	MA.10033.00	VALVE	1
016	46.08150.59		1
017	46.08349.00	CABINA GRID	6
018	46.08780.00	BUSHING, PLASTIC 8x16x20	2
019	46.08781.00	BUSHING, PLASTIC 8x16x35	2
020	46.82106.00	BUSHING	12
021	46.08783.00		3
022	101.06000.66	WASHER DIN125 D6	1

023	720.06000.66	NUT	1
024	720.03000.66	NUT DIN985 M3	12
025	113.03000.66N	WASHER M3 DIN6798 INOX	12
026	46.00063.00	PLUG D32 PLASTIC NG	1

CABIN

RIGHT WHEEL DRIVE INTERIOR SET

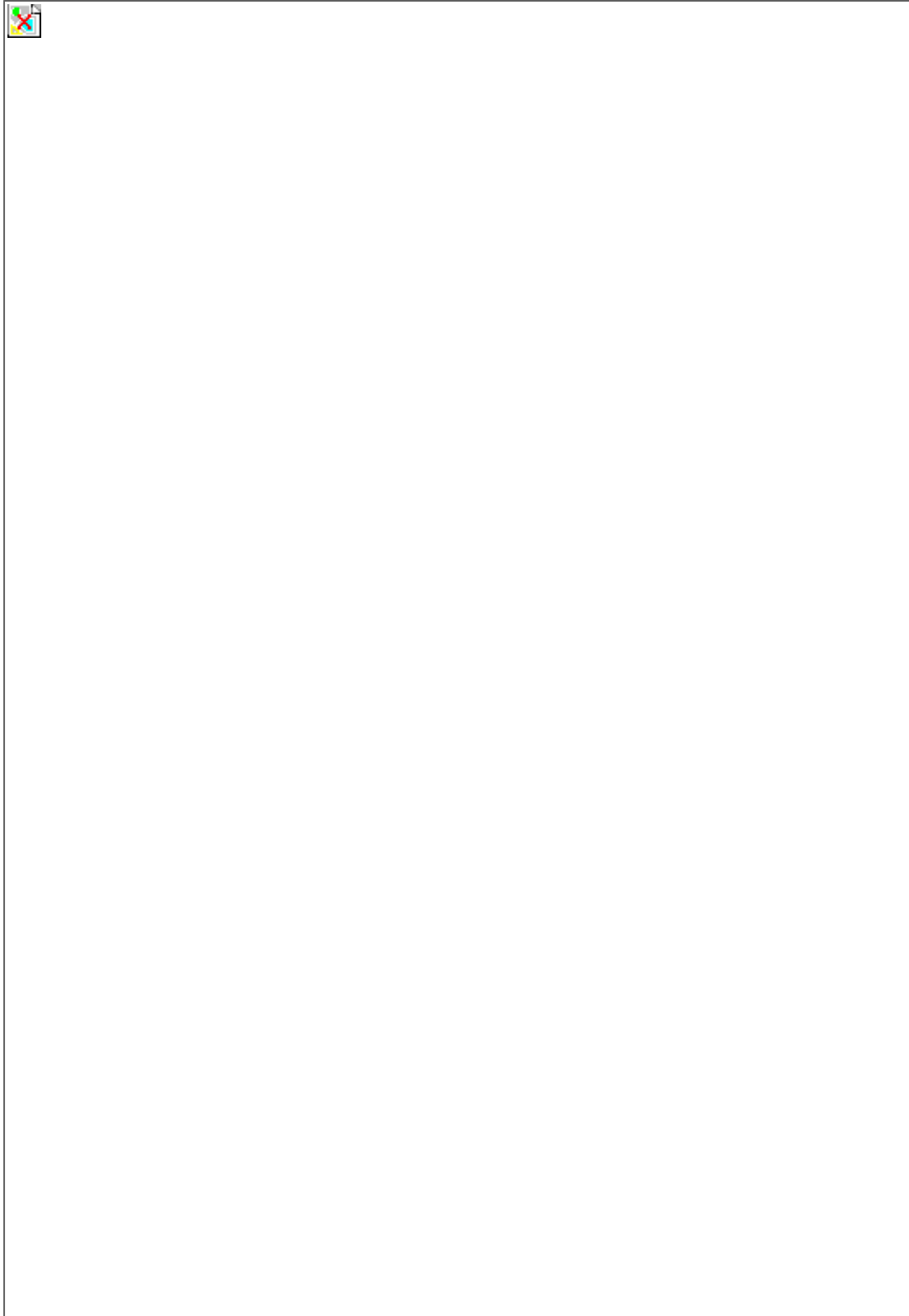


FIGURE	REFERENCE	DENOMINATION	AMOUNT
001	46.08255.00	BREAKING PEDAL/THROTTLE PEDAL ASSEMBLY	1
002	101.08000.66	WASHER DIN125 D8	4
003	720.08000.66	NUT DIN985 M8 AUTOLOCKING	4

004	46.50350.01	DUST PROTECTOR BASE FOR JOYSTICK	1
005	46.08701.00	AIR FILTER GRID	1
006	46.08702.00	AIR FILTER PPI 20	2
007	46.08572.00	SCREW DIN7985 M5X12	8
008	46.08615.00	SCREW 6x20 PHILIPS DIN7985	5
009	46.08150.62	ADHESIVE JOINT ORBITRON	1
010	46.06201.02	STEERING COLUMN	1
011	46.06356.02	STEERING WHEEL WITH KNOB	1
012	101.10000.66	WASHER DIN125 D10	4
013	603.10020.86	SCREW DIN933 M10x20	4
014	46.08188.01	LEFT CARPET	1
015	46.08835.00	LEFT CARPET FILLING	1
016	46.08189.01	RIGHT CARPET	1
017	46.08834.00	RIGHT CARPET FILLING	1
018	46.08952.00	PLASTIC PLATE	1
019	46.08953.00	PLASTIC PLATE	1
020	635.04513.66	SCREW DIN7981 ST 4.8X13	13
021	46.08706.00	CENTRAL CONSOLE COVER	1
022	46.08707.00	LEFT SEAT COATING	1
023	46.08708.00	RIGHT SEAT COATING	1
024	46.00691.00	CENTRAL CONSOLE COATING	1
025	46.08124.00	DRIVER SEAT WITH SUSPENSION	1
026	46.05118.00	ADHESIVE PVC STRIPE 10X5X30	2
027	633.080025.86	SCREW M8X25X1.25 DIN912	8
028	46.08126.00	CO-DRIVER SEAT WITH SUSPENSION	1
029	46.821355.00	ASHTRAY 274100 BLACK	1
030	46.08951.00	PLASTIC PLATE	1
031	46.08950.01	ALUMINIUM PLATE 167X282X2	1
032	MA.10025.00	CABLE GROMMET	1
033	46.08913.00	SCREW M5X14 BLACK NYLON PHILIPS	4
034	46.08915.00	INSERTED NUT	4
035	46.50349.01	ARTIFICIAL LEATHER DUST PROTECTOR	1
036	46.11164.01	JOYSTICK	1

CABIN

RIGHT WHEEL DRIVE INTERIOR SET

FIGURE	REFERENCE	DENOMINATION	AMOUNT
037	46.03728.03	PIN SUPPORT 15X30X107	1
038	46.03154.00	AXLE CYL/SCR 180XD25XM10	1
039	46.03023.01	HYDROSTATIC PUMP CONTROL CABLE	1
040	46.00006.00	FAST NUT TRS-M4	4

041	46.84972.00	CLAMP UNION LIMIT	4
042	46.08013.02	COMPLETE DASHBOARD	1
043	MA.10009.00	WASHER DIN9021 6X18X1,5	17
044	46.08711.00	SCREW DIN7985 M6x25	4
045	46.08712.00	SCREW DIN7985 M6x35	4
046	46.08563.00	HEATER GRID	4
047	46.08564.00	AIR GRID P29 BIS BLACK	2
048	46.11076.00	HEIGHT ADJUSTMENT CONTROL FOR LIGHTS AUSA46	1
049	46.11150.03	INSTRUMENT PANEL	1
050	46.81112.00	GLOVE COMPARTMENT	1
051	46.80122.00	KEY&LOCK SET	1
052	46.00369.00	BALL VALVE D11	1
053	46.08556.00	FIXING SUPPORT	2
054	46.08040.01	3 POINT BELT	2
055	46.08713.00	HOSE CLAMP 12-22	6
056	46.82312.01	RIGHT SUPPLEMENT DASHBOARD	1
057	46.82121.01	LEFT SUPPLEMENT DASHBOARD	1
058	46.82120.01	PLASTIC CAP	14
059	46.08714.00	RIGHT HEATING SUPPORT FIXATION	1
060	46.82115.01	HEATING/AIR CONDITIONING	1
061	635.04819.66	SCREW DIN7981 ST 4.8x19	19
062	46.08107.00	HEATING COATING COVER	1
063	46.05709.00	BREAKING CABLE D3,5x1830	1
064	46.08716.00	HEATING HANDLE HUB CAP	1
065	46.08717.00	LEFT HEATING FIXING SUPPORT	1
066	46.08718.00	REAR-VIEW MIRROR REGULATION CONTROL	1
067	46.00043.00	LIGHT COLUMN REGULATION CONTROL	1
068	46.08127.00	HEAD REST	2
069	46.08719.00	AIR CONDITIONING SUPPORT	1
070	46.08720.00	RUBBER CABLE GROMMET 3/8	1
071	46.00814.00		1
072	46.08721.00	HEATER PIPE 620MM	1

CABIN

RIGHT WHEEL DRIVE INTERIOR SET

FIGURE	REFERENCE	DENOMINATION	AMOUNT
073	46.08722.00	HEATER PIPE 370MM	1
074	46.08723.00	HEATER PIPE 250MM	1
075	720.06000.66	NUT	7
076	46.08801.00	HYDRAULIC HOSE R1T3/8 5/8 AIR/CONDITION	1
077	46.08802.00	HYDRAULIC HOSE R1T3/8 7/8 AIR/CONDITION	1

078	46.09730.00	FITTING M/M 7/8 UNF	1
079	46.09733.00	FITTING M/M 5/8 UNF	1
080	46.09736.00	CAP 7/8 UNF	1
081	46.09737.00	CAP 5/8 UNF	1
082	46.08789.00	BOLT DIN7985 M5x20	1
083	101.05000.66	WASHER DIN125 D5	1
084	46.08725.00	BUSHING 20x11x15	4
085	46.08726.00	ADHESIVE, 12x12x50	2
086	46.08727.00	ADHESIVE, 10x5x600	2
087	701.06000.66	NUT DIN934 M6X1	3
088	113.06000.66	WASHER DIN6798 A Ø6	4
089	46.11168.00	THROTTLE CABLE EURO IV	1
090	630.04010.96		13
091	720.04000.66	NUT DIN985 M4	13
092	46.03023.99	SENSOR WITH SENSOR MOUNT	1
093	701.05000.66	NUT DIN934 M5x0.8	1
094	720.05000.66	NUT DIN985 M5	1
095	46.08911.00		2
096	46.08910.00		2
097	46.01306.00		4
098	46.08016.01		1
099	46.97455.00	PEDALS SUPPORT REINFORCEMENT	1
100	46.80130.00	PEDALS COVER	1

CABIN

LEFT WHEEL DRIVE INTERIOR SET



FIGURE	REFERENCE	DENOMINATION	AMOUNT
001	46.08254.00	BREAKING PEDAL/THROTTLE PEDAL ASSEMBLY	1
002	101.08000.66	WASHER DIN125 D8	4
003	720.08000.66	NUT DIN985 M8 AUTOLOCKING	4

004	46.50350.01	DUST PROTECTOR BASE FOR JOYSTICK	1
005	46.08701.00	AIR FILTER GRID	1
006	46.08702.00	AIR FILTER PPI 20	2
007	46.08572.00	SCREW DIN7985 M5X12	8
008	46.08615.00	SCREW 6x20 PHILIPS DIN7985	5
009	46.08150.62	ADHESIVE JOINT ORBITRON	1
010	46.06201.02	STEERING COLUMN	1
011	46.06356.02	STEERING WHEEL WITH KNOB	1
012	101.10000.66	WASHER DIN125 D10	4
013	603.10020.86	SCREW DIN933 M10x20	4
014	46.08188.00	LEFT CARPET	1
015	46.08703.00	LEFT CARPET	1
016	46.08189.00	RIGHT CARPET	1
017	46.08705.00	RIGHT CARPET	1
018	46.08952.00	PLASTIC PLATE	1
019	46.08953.00	PLASTIC PLATE	1
020	635.04513.66	SCREW DIN7981 ST 4.8X13	13
021	46.08706.00	CENTRAL CONSOLE COVER	1
022	46.08707.00	LEFT SEAT COATING	1
023	46.08708.00	RIGHT SEAT COATING	1
024	46.00691.00	CENTRAL CONSOLE COATING	1
025	46.08124.00	DRIVER SEAT WITH SUSPENSION	1
026	46.05118.00	ADHESIVE PVC STRIPE 10X5X30	2
027	633.080025.86	SCREW M8X25X1.25 DIN912	8
028	46.08126.00	CO-DRIVER SEAT WITH SUSPENSION	1
029	46.821355.00	ASHTRAY 274100 BLACK	1
030	46.08951.00	PLASTIC PLATE	1
031	46.08950.01	ALUMINIUM PLATE 167X282X2	1
032	MA.10025.00	CABLE GROMMET	1
033	46.08913.00	SCREW M5X14 BLACK NYLON PHILIPS	4
034	46.08915.00	INSERTED NUT	4
035	46.50349.01	ARTIFICIAL LEATHER DUST PROTECTOR	1
036	46.11164.01	JOYSTICK	1

CABIN

LEFT WHEEL DRIVE INTERIOR SET

FIGURE	REFERENCE	DENOMINATION	AMOUNT
037	46.03728.03	PIN SUPPORT 15X30X107	1
038	46.03154.00	AXLE CYL/SCR 180XD25XM10	1
039	46.03023.01	HYDROSTATIC PUMP CONTROL CABLE	1
040	46.00006.00	FAST NUT TRS-M4	4

041	46.84972.00	CLAMP UNION LIMIT	4
042	46.08013.01	PANEL M250H EUROIV	1
043	MA.10009.00	WASHER DIN9021 6X18X1,5	17
044	46.08711.00	SCREW DIN7985 M6x25	4
045	46.08712.00	SCREW DIN7985 M6x35	4
046	46.08563.00	HEATER GRID	4
047	46.08564.00	AIR GRID P29 BIS BLACK	2
048	46.11076.00	HEIGHT ADJUSTMENT CONTROL FOR LIGHTS AUSA46	1
049	46.11150.05		1
050	46.81112.00	GLOVE COMPARTMENT	1
051	46.80122.00	KEY&LOCK SET	1
052	46.00369.00	BALL VALVE D11	1
053	46.08556.00	FIXING SUPPORT	2
054	46.08040.01	3 POINT BELT	2
055	46.08713.00	HOSE CLAMP 12-22	6
056	46.82312.01	RIGHT SUPPLEMENT DASHBOARD	1
057	46.82121.01	LEFT SUPPLEMENT DASHBOARD	1
058	46.82120.01	PLASTIC CAP	14
059	46.08714.00	RIGHT HEATING SUPPORT FIXATION	1
060	46.82115.01	HEATING/AIR CONDITIONING	1
061	635.04819.66	SCREW DIN7981 ST 4.8x19	19
062	46.08715.00	CASE	1
063	02.00920.00	BRAKE CABLE 200RM	1
064	46.08716.00	HEATING HANDLE HUB CAP	1
065	46.08717.00	LEFT HEATING FIXING SUPPORT	1
066	46.08718.00	REAR-VIEW MIRROR REGULATION CONTROL	1
067	46.00043.00	LIGHT COLUMN REGULATION CONTROL	1
068	46.08127.00	HEAD REST	2
069	46.08719.00	AIR CONDITIONING SUPPORT	1
070	46.08720.00	RUBBER CABLE GROMMET 3/8	1
071	46.00814.00		1
072	46.08721.00	HEATER PIPE 620MM	1

CABIN

LEFT WHEEL DRIVE INTERIOR SET

FIGURE	REFERENCE	DENOMINATION	AMOUNT
073	46.08722.00	HEATER PIPE 370MM	1
074	46.08723.00	HEATER PIPE 250MM	1
075	720.06000.66	NUT	7
076	46.08801.00	HYDRAULIC HOSE R1T3/8 5/8 AIR/CONDITION	1
077	46.08802.00	HYDRAULIC HOSE R1T3/8 7/8 AIR/CONDITION	1

078	46.09730.00	FITTING M/M 7/8 UNF	1
079	46.09733.00	FITTING M/M 5/8 UNF	1
080	46.09736.00	CAP 7/8 UNF	1
081	46.09737.00	CAP 5/8 UNF	1
082	46.08789.00	BOLT DIN7985 M5x20	1
083	101.05000.66	WASHER DIN125 D5	1
084	46.08725.00	BUSHING 20x11x15	4
085	46.08726.00	ADHESIVE, 12x12x50	2
086	46.08727.00	ADHESIVE, 10x5x600	2
087	701.06000.66	NUT DIN934 M6X1	3
088	113.06000.66	WASHER DIN6798 A Ø6	4
089	46.11168.01		1
090	630.04010.96		13
091	720.04000.66	NUT DIN985 M4	13
092	46.03023.99	SENSOR WITH SENSOR MOUNT	1
093	701.05000.66	NUT DIN934 M5x0.8	1
094	720.05000.66	NUT DIN985 M5	1
095	46.08911.00		2
096	46.08910.00		2
097	46.01306.00		4
098	46.08016.01		1

CABIN

RIGHT WHEEL DRIVE ROOF SET



FIGURE	REFERENCE	DENOMINATION	AMOUNT
001	46.08784.00	NUMBER PLATE SHEET	1
002	720.06000.NX	NUT DIN985 M6 SELF-LOCK	2
003	701.06000.66	NUT DIN934 M6X1	8
004	46.08785.00	SUPPORT	2
005	46.08786.00	WASHER 5x15x1	6
006	46.08513.00	WASHER DIN6798 Ø8 CAB	4
007	603.08020.86	SCREW DIN933 M8x20	4
008	46.08787.00	LEFT LIGHTS COUPLING	1
008	46.08787.00R9001	LEFT LIGHTS COUPLING (WHITE COLOUR)	1
008	46.08787.00R9010		1
009	46.08788.00R9001	RIGHT LIGHTS COUPLING (WHITE COLOUR)	1
009	46.08788.00R9010		1
009	46.08788.00	RIGHT LIGHTS COUPLING	1
010	46.08570.01	CABIN RADIO SUPPORT	1
012	46.08789.00	BOLT DIN7985 M5x20	6

013	46.08790.00	SUPPORT	2
014	46.08791.00	BOLT DIN965 5x20	6
015	46.08792.00	SHEET	1
016	46.08611.01	BEACON	1
017	46.08793.00	BOLT DIN7985 4x16	2
018	720.04000.66	NUT DIN985 M4	2
019	46.08589.00	RADIO LODGING COVER	2
020	46.11203.00		2
021	46.08795.00	BOLT	4
022	46.11201.00	DRIVING LIGHT	2
023	46.08796.00	BOLT	8
024	46.11202.00	SHORT LIGHTS	2
025	720.05000.66	NUT DIN985 M5	2
026	46.82106.00	BUSHING	8
027	46.08587.00	FIXING SUPPORT	1
028	502.03012.60	RIVET.	2
029	46.08797.00	KIT SPEAKER	1
030	46.08798.00	RADIO BOX	1
032	46.08881.00		1
032	46.08881.00R9001		1
032	46.08881.00R9010		1

CABIN

RIGHT WHEEL DRIVE ROOF SET

FIGURE	REFERENCE	DENOMINATION	AMOUNT
033	112.06000.NX	WASHER DIN9021 Ø6	10
034	46.00071.00	RUBBER WASHER	2
035	46.08882.00		1
035	46.08882.00R9001		1
035	46.08882.00R9010		1
036	712.06000.NX	NUT DIN1587 M6	8
037	46.08820.00	ROOF LINING	1
038	46.08720.00	RUBBER CABLE GROMMET 3/8	2
039	46.08821.00	T R/CH 3.9X22 DIN7982 ZN. NG	8
040	46.08822.00	SPEAKERS HITCH PIN	8
041	46.08792.01		1
042	630.10015.97		2
043	112.10500.NX	WASHER DIN9021 D 10.5x30x2.5	2
044	101.08000.66	WASHER DIN125 D8	4
045	46.08823.00	BOLT	8

CABIN

LEFT DRIVE WHEEL ROOF SET



FIGURE	REFERENCE	DENOMINATION	AMOUNT
001	46.08784.00	NUMBER PLATE SHEET	1
002	720.06000.NX	NUT DIN985 M6 SELF-LOCK	2
003	701.06000.66	NUT DIN934 M6X1	8
004	46.08785.00	SUPPORT	2
005	46.08786.00	WASHER 5x15x1	6
006	46.08513.00	WASHER DIN6798 Ø8 CAB	4
007	603.08020.86	SCREW DIN933 M8x20	4
008	46.08787.00	LEFT LIGHTS COUPLING	1
008	46.08787.00R9001	LEFT LIGHTS COUPLING (WHITE COLOUR)	1
008	46.08787.00R9010		1
009	46.08788.00R9001	RIGHT LIGHTS COUPLING (WHITE COLOUR)	1
009	46.08788.00R9010		1
009	46.08788.00	RIGHT LIGHTS COUPLING	1
010	46.08570.01	CABIN RADIO SUPPORT	1

011	46.09893.00	RADIO SUPPORT	1
012	46.08789.00	BOLT DIN7985 M5x20	6
013	46.08790.00	SUPPORT	2
014	46.08791.00	BOLT DIN965 5x20	6
015	46.08792.00	SHEET	1
016	46.08611.01	BEACON	1
017	46.08793.00	BOLT DIN7985 4x16	2
018	720.04000.66	NUT DIN985 M4	2
019	46.08589.00	RADIO LODGING COVER	2
020	46.11203.00		2
021	46.08795.00	BOLT	4
022	46.11201.00	DRIVING LIGHT	2
023	46.08796.00	BOLT	8
024	46.11202.00	SHORT LIGHTS	2
025	720.05000.66	NUT DIN985 M5	2
026	46.82106.00	BUSHING	8
027	46.08587.00	FIXING SUPPORT	1
028	502.03012.60	RIVET.	2
029	46.08797.00	KIT SPEAKER	1
030	46.08798.00	RADIO BOX	1
031	46.11035.01		1
032	46.08881.00		1

CABIN

LEFT DRIVE WHEEL ROOF SET

FIGURE	REFERENCE	DENOMINATION	AMOUNT
032	46.08881.00R9001		1
032	46.08881.00R9010		1
033	112.06000.NX	WASHER DIN9021 Ø6	10
034	46.00071.00	RUBBER WASHER	2
035	46.08882.00		1
035	46.08882.00R9001		1
035	46.08882.00R9010		1
036	712.06000.NX	NUT DIN1587 M6	8
037	46.08820.00	ROOF LINING	1
038	46.08720.00	RUBBER CABLE GROMMET 3/8	2
039	46.08821.00	T R/CH 3.9X22 DIN7982 ZN. NG	8
040	46.08822.00	SPEAKERS HITCH PIN	8
041	46.08792.01		1
042	630.10015.97		2
043	112.10500.NX	WASHER DIN9021 D 10.5x30x2.5	2

044	101.08000.66	WASHER DIN125 D8	4
045	46.08823.00	BOLT	8

ELECTRIC INSTALLATION FRONT WORK LIGHTS

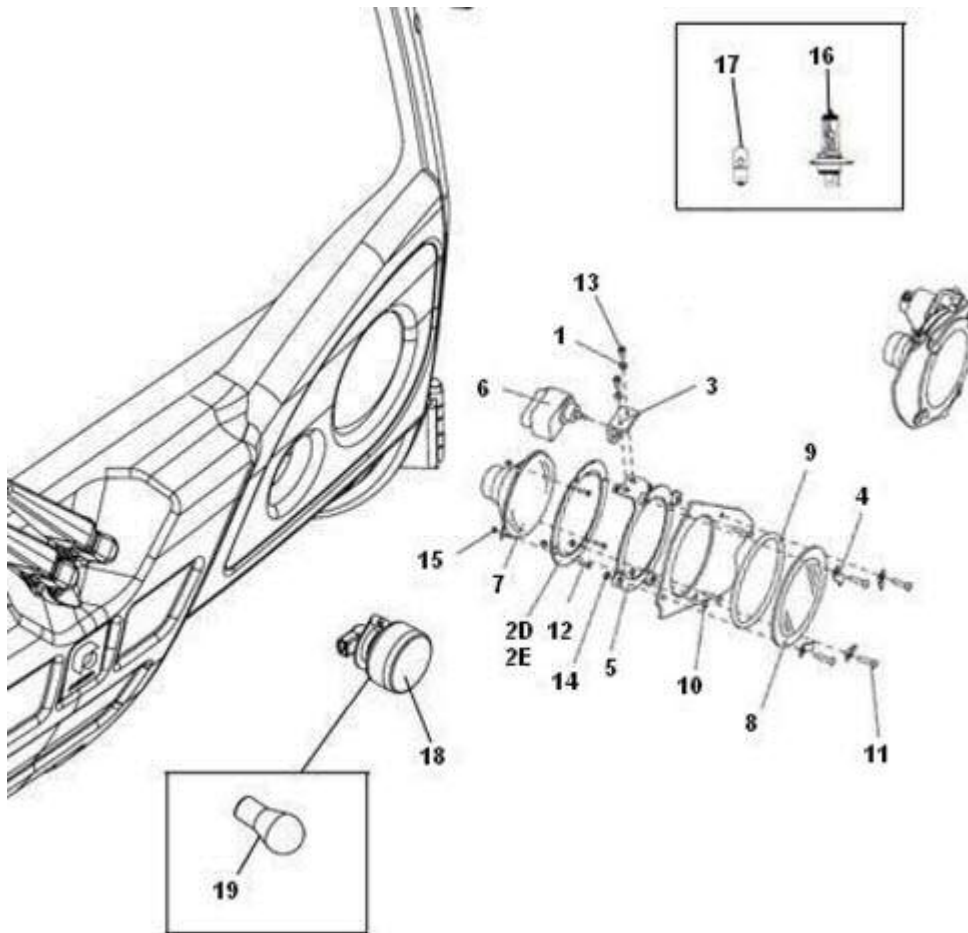


FIGURE	REFERENCE	DENOMINATION	AMOUNT
001	101.06000.67	WASHER DIN125 D6	4
002D	46.08731.00	INNER RIGHT BEACON FIXING	1
002E	46.08734.00	LEFT INNER FIXING BEACON	1
003	46.08732.00	BEACON MOTOR FIXING	2
004	46.08875.00	HEADLIGHT GLASS FIXING SUPPORT	8
005	46.11077.01	HEADLIGHT EXTERNAL FIXING SUPPORT	2
006	46.82009.00	BEACONS LIFT REGULATION ENGINE	2
007	46.82010.00	LOWER DRIVING BEACON	2
008	46.11079.01	HEADLIGHT PROTECTOR. CABIN	2
009	465.00019.00	BUTYL RUBBER ADHESIVE SEALANT 8MM	2
010	46.08733.00	BOLT DIN7985 5x25	6
011	46.08711.00	SCREW DIN7985 M6x25	8
012	603.04020.87	SCREW DIN 933 M4X20	6
013	601.06015.87	SCREW. DIN 912 M6x15	4
014	720.05000.66	NUT DIN985 M5	6
015	720.04000.66	NUT DIN985 M4	6
016	48.11065.00	LIGHT BULB H4 12V 60 / 55W	1

017	48.11066.00	LAMP T4W 12V 4W	1
018	46.11203.00		1
019	31.01329.01	LAMP 12V 21W AMBER	1

SWEEPER OPERATION TOOLS

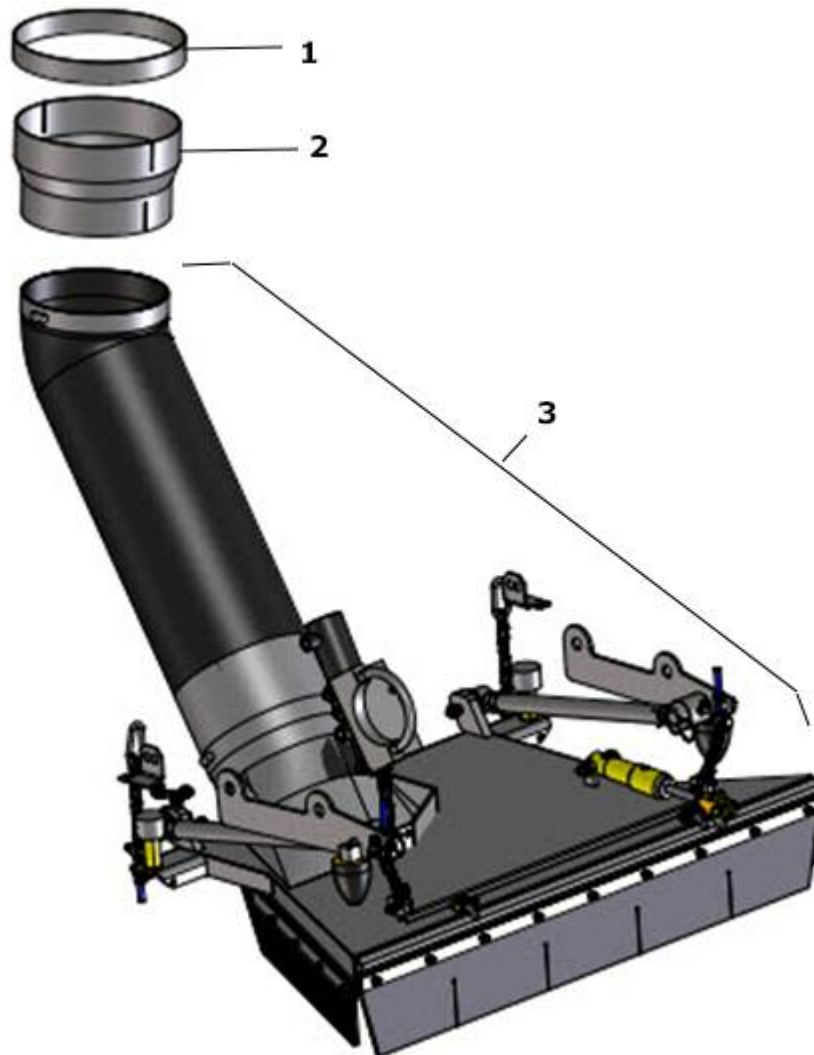


FIGURE	REFERENCE	DENOMINATION	AMOUNT
001	912.22630.66	FLANGE. W2 MIKALOR D213-22 INOX	1
002	46.95775.00	FUNNEL D199XD220	1
003	46.95600.12	VACUUM TUBE AND MOUTH 4X4	1

SWEEPER OPERATION TOOLS

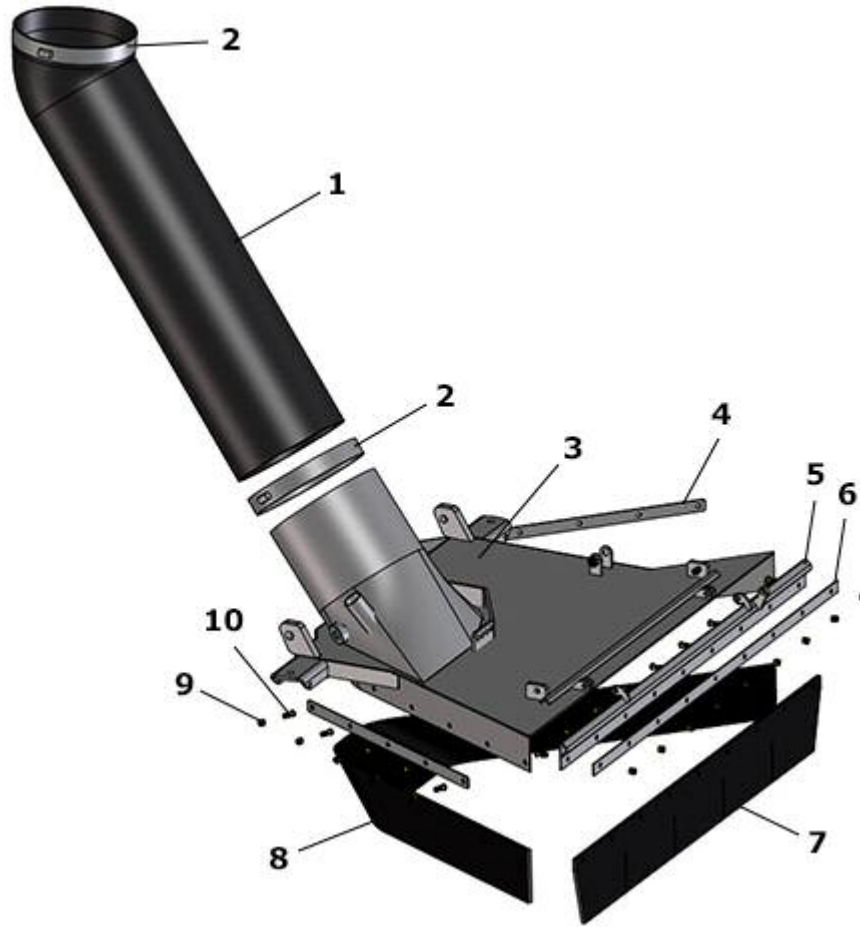


FIGURE	REFERENCE	DENOMINATION	AMOUNT
001	46.95643.02	VACUUM TUBE D200XD202.2X950	1
002	912.20028.66		2
003	46.95601.01	ASPIRATION TUBE CASE 4X4	1
004	46.95722.00	REINFORCEMENT FLEJE 2X20	1
005	46.95797.00	COVER. MOUTH B400H 4X4	1
006	46.95660.00		1
007	46.95721.00	MOUTH COVER RUBBER PROFILE 4X4	1
008	46.95796.00	RUBBER PROFILE	1
010	630.06020.96	SCREW ISO7380 M6x20	23

SWEEPER OPERATION TOOLS

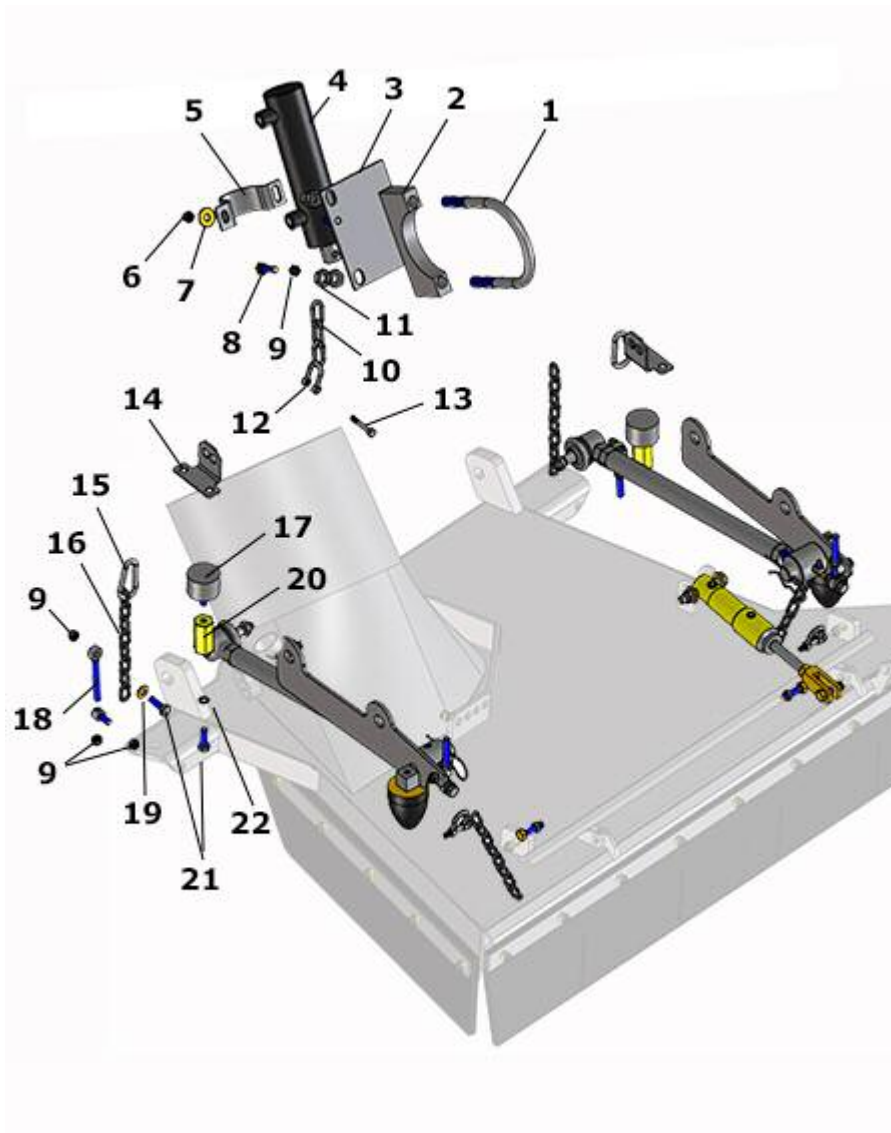


FIGURE	REFERENCE	DENOMINATION	AMOUNT
001	02.00184.00	Foru D106 FLANGE	1
002	01.00183.00	TRUMPET 20X64X137 SUPPLEMENT	1
003	46.95794.00	SUPPORT CYLINDER	1
004	46.95795.00	CYLINDER D / E D40X90	1
005	46.95793.00	FLANGE. D50	1
006	711.08000.66	NUT DIN982 M8	1
007	112.08000.67	WASHER DIN9021	1
008	603.08030.86	SCREW DIN933 M8X30	1
009	711.08000.66	NUT DIN982 M8	16
010	46.95677.00	CHAIN 5X19X35	1
011	01.01305.00	NUT	4
012	46.95741.00	GALVANIZED SHACKLE LOCK M6	1
013	604.06035.86	SCREW DIN931 M6x35	1

014	46.95713.00	SUPPORT	4
015	957.05050.82	SNAP HOOK	2
016	46.95647.00	8 CHAIN LINKS	4
017	08.00107.00	BUTT	2
018	46.95646.00	SCREW JOINT DIN444	4
019	101.08000.66	WASHER DIN125 D8	4
020	46.11844.00	NUT M8X22ECX44	2
021	603.08025.86	SCREW DIN933 M8x25	4
022	104.08000.00	WASHER DIN7980 D8	2

SWEEPER OPERATION TOOLS

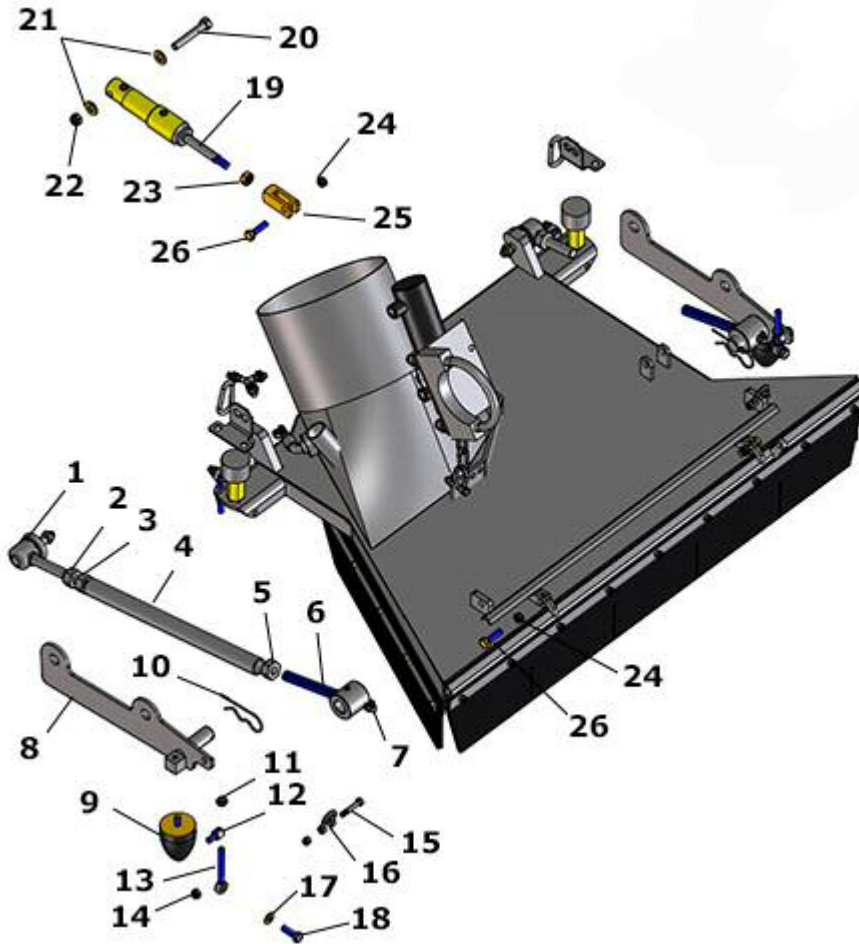


FIGURE	REFERENCE	DENOMINATION	AMOUNT
001	01.00631.00	ROTULA DIRECCION DERECHA	2
002	01.01307.00	NUT	2
003	46.95699.00	HEX NUT M10 DIN 934	2
004	46.95615.00	TUBE D25XD20X145	2
005	01.01307.00	NUT	2
006	46.95614.00	HUB CAS / ROS D20XM10X125	2
007	902.08000.33	GREASER DIN71412-C	2
008	46.95734.01	RIGHT SUPPORT	1
009	08.00107.01	BUTT	2
010	15.00836.00	PIN DIN11024 R4	2
011	701.08000.66	NUT DIN934 M8X1,25	2
012	46.00735.00	AXLE CAS / ROS M8XD14X26	2
013	46.95646.00	SCREW JOINT DIN444	2
014	711.08000.66	NUT DIN982 M8	2
015	604.06035.86	SCREW DIN931 M6x35	2
016	46.95741.00	GALVANIZED SHACKLE LOCK M6	2
017	101.08000.66	WASHER DIN125 D8	2

018	603.08025.86	SCREW DIN933 M8x25	2
019	46.58099.00	CYLINDER D / E OPEN MOUTH	1
020	603.10060.86	SCREW DIN933	1
021	101.10000.66	WASHER DIN125 D10	2
022	711.10000.66	NUT DIN982 M10x1.5	1
023	701.10000.66	NUT DIN934 M10x1.5	1
024	711.08000.66	NUT DIN982 M8	11
025	20.05040.00	ART. FORK	1
026	603.08030.86	SCREW DIN933 M8X30	4

OPTION AND VARIANTS

WEED BRUSH



FIGURE	REFERENCE	DENOMINATION	AMOUNT
001	48.09750.00	WEED BRUSH	2

INDEX

10. HYDRAULIC DIAGRAM INSTALLATION

TURBINE SCHEME 2

03. TRANSMISSION

Hydrostatic pump - 67571 3

Hydrostatic pump - 70220 4

Chassis

RIGHT DRIVING CHASSIS - 70220 5

Steering

STEERING (RIGHT DRIVING) - 70220 6

CABIN

CABINE 7

GLASS SET SIDES 8

RIGHT WHEEL DRIVE FRONT SET 10

LEFT WHEEL DRIVE FRONT SET 12

BACK SET 14

RIGHT WHEEL DRIVE INTERIOR SET 15

LEFT WHEEL DRIVE INTERIOR SET 18

RIGHT WHEEL DRIVE ROOF SET 21

LEFT DRIVE WHEEL ROOF SET 23

ELECTRIC INSTALLATION

Front work lights 25

Sweeper operation tools

26

27

28

29

Option and variants

WEED BRUSH 30