

EXTRA 324F

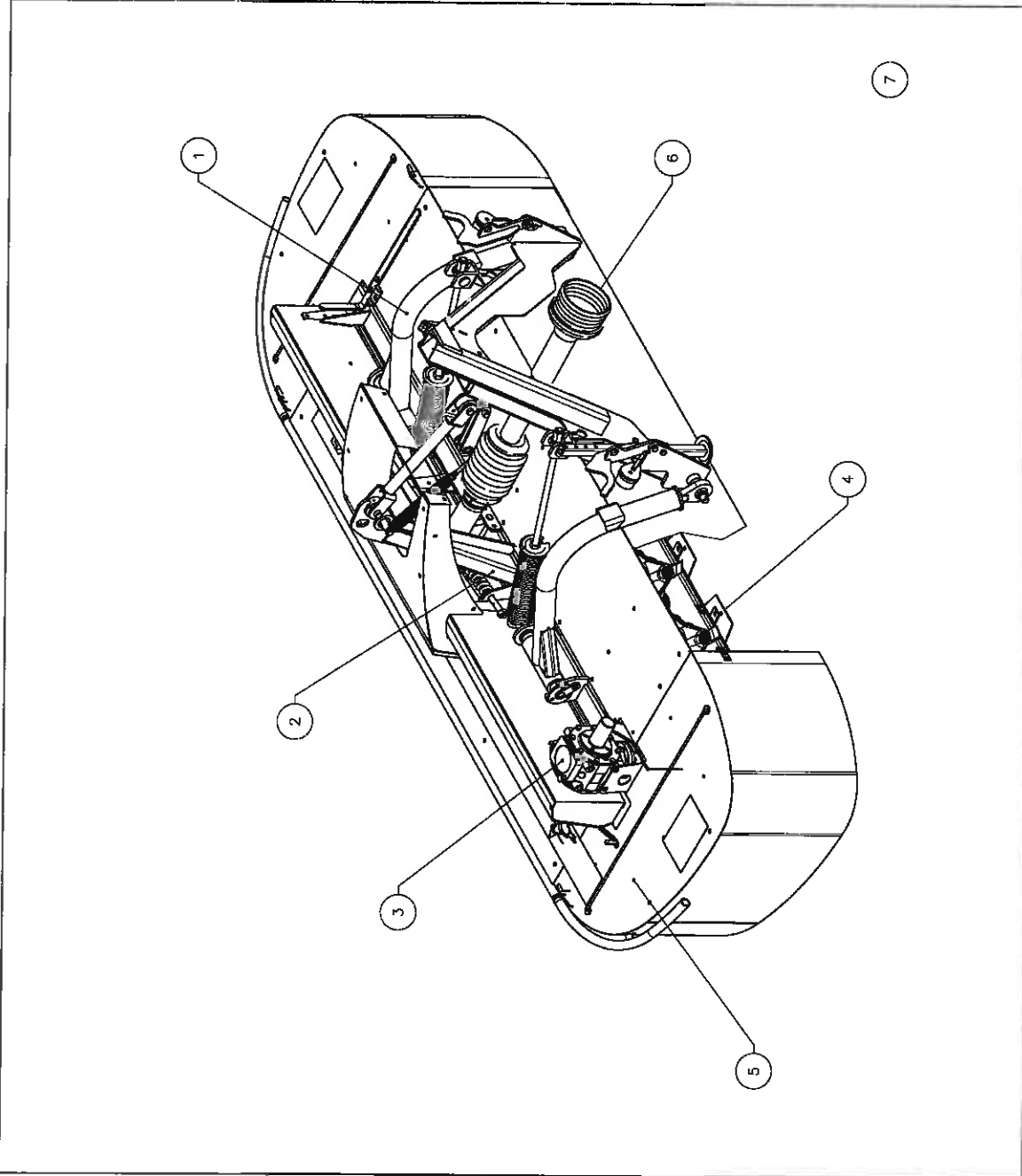
Spare Parts Manual

Article number: A132899240_01-2015-06
Language: EN
Production year (from): 2015
Prod. Series nr (from): KT456499 < Mach. ID <=

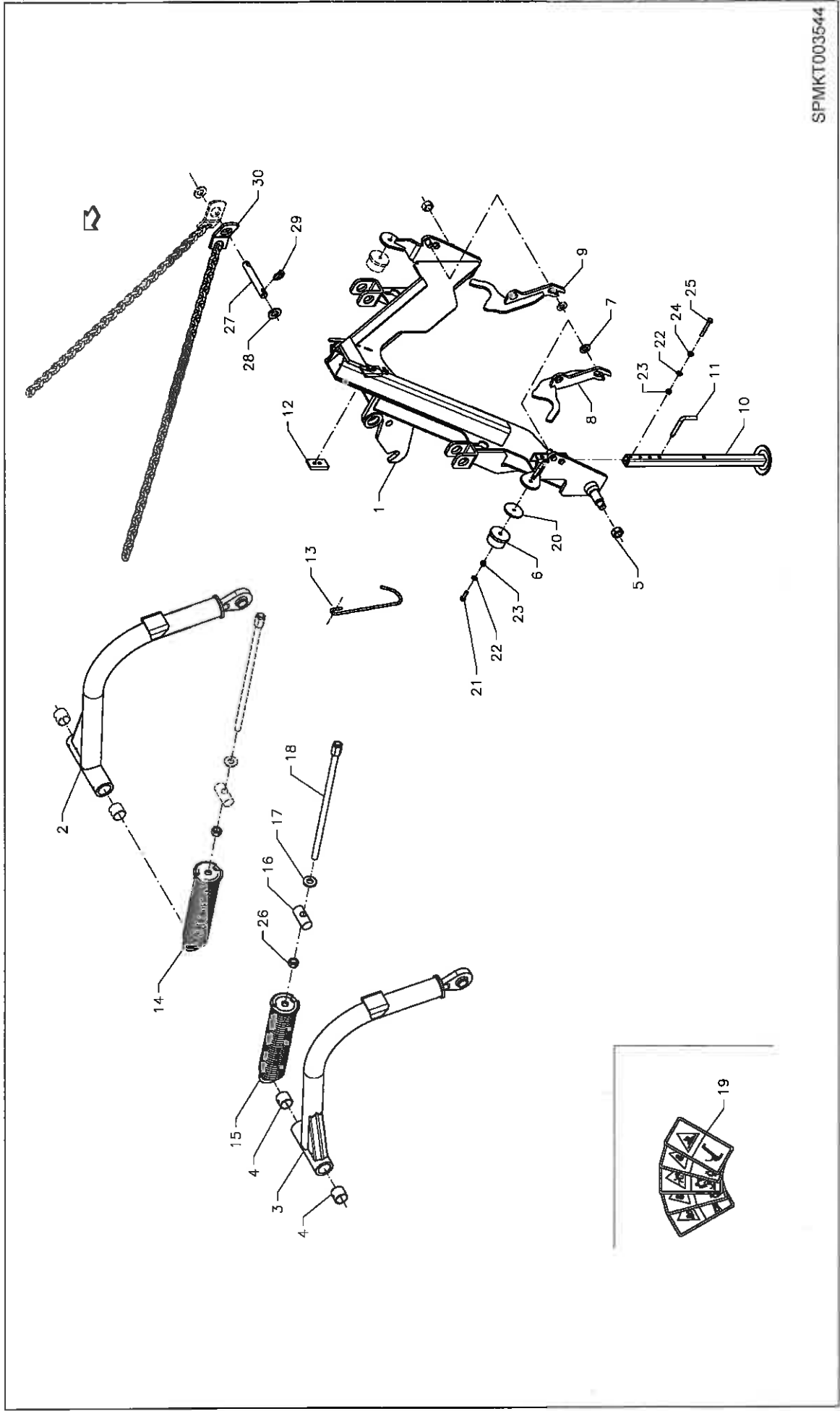


EXTRA 324F / Table of Contents

PosNo.	Assembly group	Page
1	LINKAGE	1
1	LINKAGE	2
2	GUARD	3
2	MAIN FRAME, TRANSMISSION	4
3	MAIN GEAR BOX, COMPLETE	5
4	CUTTERBAR, COMPLETE	6
4	CUTTERBAR, SPARE PARTS SET	7
4	TRANSMISSION, CUTTERBAR	8
4	TRANSMISSION, CUTTERBAR + EXPRESS	9
5	GUARD	10
5	GUARD	11
6	PTO SHAFT	12
7	OPTIONAL EQUIPMENT	13
7	OPTIONAL EQUIPMENT	14
7	OPTIONAL EQUIPMENT	15
7	OPTIONAL EQUIPMENT	16
7	OPTIONAL EQUIPMENT	17
7	OPTIONAL EQUIPMENT	18
7	OPTIONAL EQUIPMENT	19



EXTRA 324F / LINKAGE



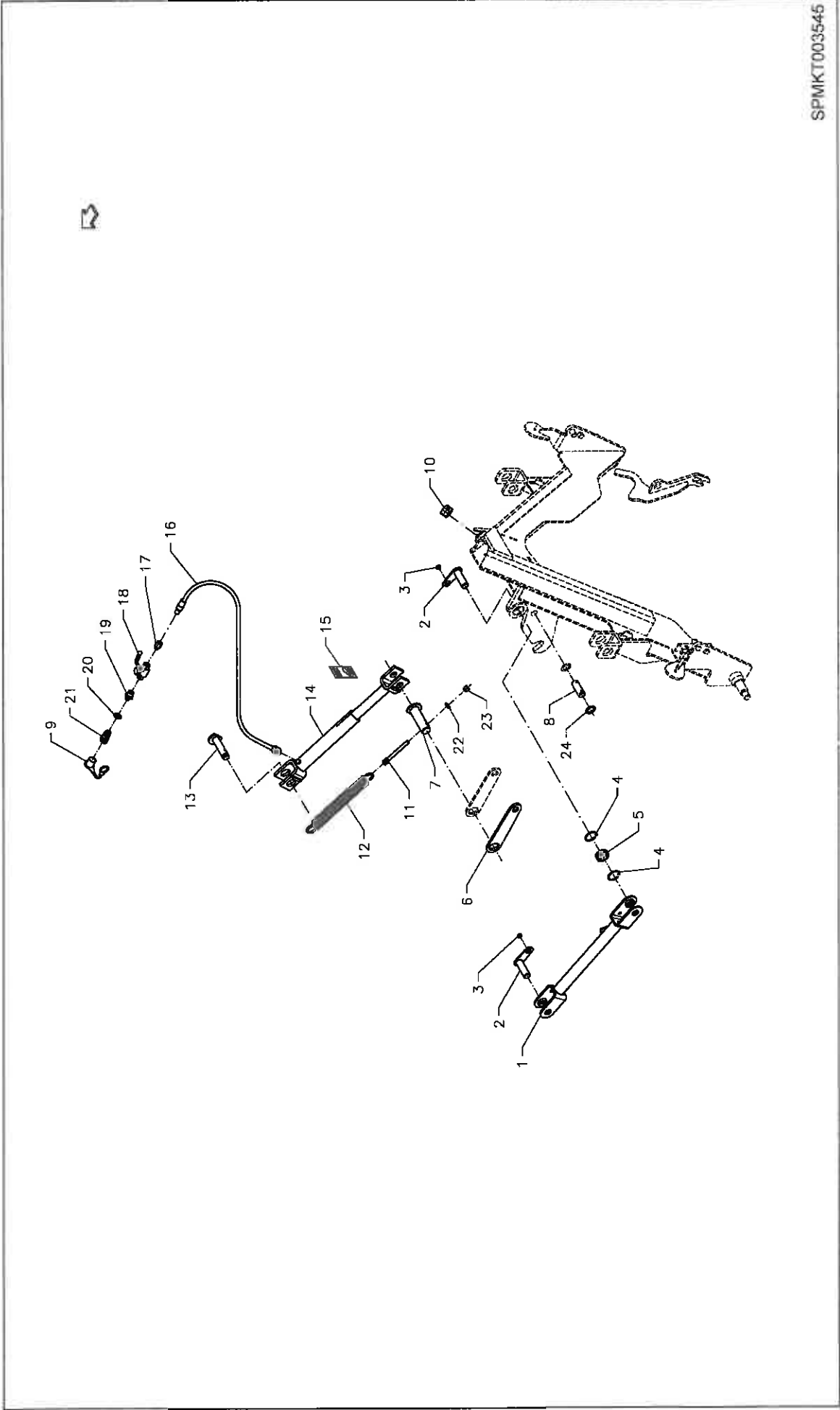
SPMKT003544



EXTRA 324F / LINKAGE

PosNo.	Part No.	Qty.	Description	Remark
1	KT9210200086	1	LINKAGE	
2	A132582786	1	ARM RH	
3	A132582886	1	ARM LH	
4	KT99158088	4	GLACIER BUSHING PM 4545 DX	
5	KT99307973	2	SLOTTED NUT M24	
6	KT99450758	2	RUBBER DAMPER	
7	KT5882400061	2	WASHER	
8	KT9212010086	1	SUPPORT LEG, LH	
9	KT9211910086	1	SUPPORT LEG, RH	
10	KT9212800086	1	SUPPORT LEG	
11	KT63438000	1	COTTER BOLT	
12	KT9211800061	1	PELLET	
13	VNB1326493	1	HOOK	
14	KT9212200063	1	SPRING	
15	KT9212100063	1	SPRING	
16	KT9211700061	2	SHAFT	
17	KT68312000	2	WASHER (DISC)	
18	KT9051410061	2	SPINDLE	
19	KT92378000	1	DECAL KIT	
20	KT70122000	2	WASHER	
21	KG00474461	2	HEX. SCREW M10X35 8.8	
22	KG01267461	3	WASHER M10	
23	KG01064161	3	LOCK NUT M10 8	
24	KG01052061	1	HEX. NUT M10 8	
25	KG00356061	1	HEX. BOLT M10X80 8.8	
26	KG01052661	2	HEX. NUT M22 8	
27	KT9249300061	1	PIN	
28	KT9249400061	2	WASHER Ø50/Ø26	
29	KT42176000	2	LINCH PIN Ø10MM	
30	KT6755820061	2	CHAIN	

EXTRA 324F / LINKAGE



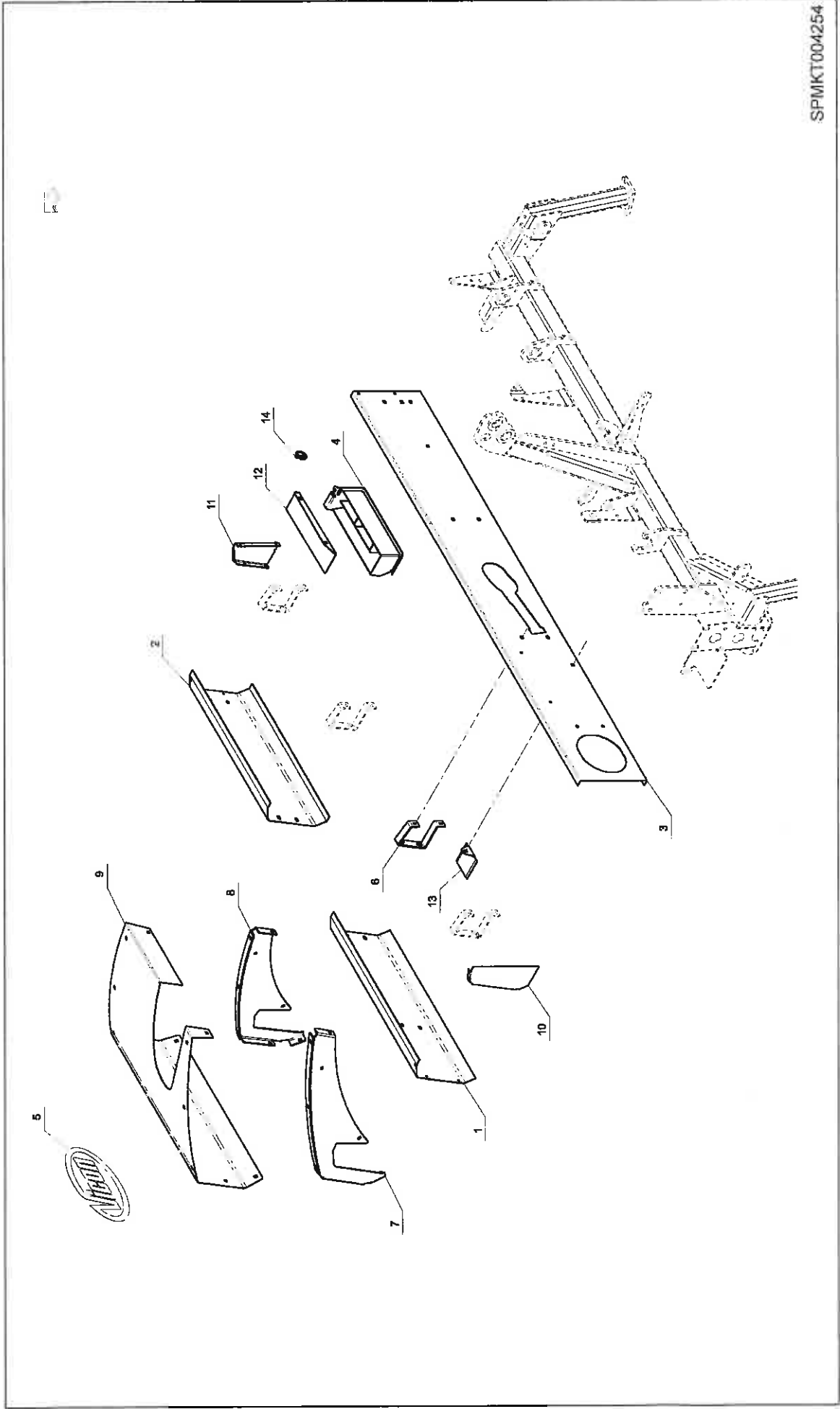
SPMKT003545



EXTRA 324F / LINKAGE

PosNo.	Part No.	Qty.	Description	Remark
1	KT9210700086	1	ARM	
2	KT9148500061	2	BOLT	
3	KT3130700061	2	RING	
4	KG01128700	2	CIRCLIP-B 47 X 1.75	
5	KT99160045	1	BEARING Ø 25 GE25FO 2RS	
6	KT9211310061	2	PLATE	
7	KT9212400061	1	COTTERBOLT	
8	KT9211500061	1	BOLT	
9	KT60245000	1	PROTECTION CAP BLUE	
10	KT99408952	2	TUBE SUPPORT SINGLE	
11	KT33412200	1	SPRING TIGHTENER	
12	KT9211400063	1	SPRING	
13	KT9212300061	1	COTTERBOLT	
14	KT9199900086	1	HYDRAULIC CYLINDER	
15	KT99413223	1	GASKET KIT FOR HYDRAULIC CYLINDER	
16	KT92221000	1	HYDRAULIC HOSE L=2000MM	
17	KT24242100	1	NOZZLE Ø 2,0 MM	
18	KT99407085	1	BALL VALVE 1/4"	
19	KT99402350	1	ADAPTOR 1/2"-1/4"	
20	KT99428518	1	SEALING WASHER 1/2" X 28,6 MM	
21	KT60149000	1	QUICK COUPLING 1/2"	
22	KG01267561	1	WASHER M12	
23	KG01064261	1	LOCK NUT M12 8	
24	VF06214313	2	WASHER 26X38X2 A3C	

EXTRA 324F / GUARD



SPIMKT004254

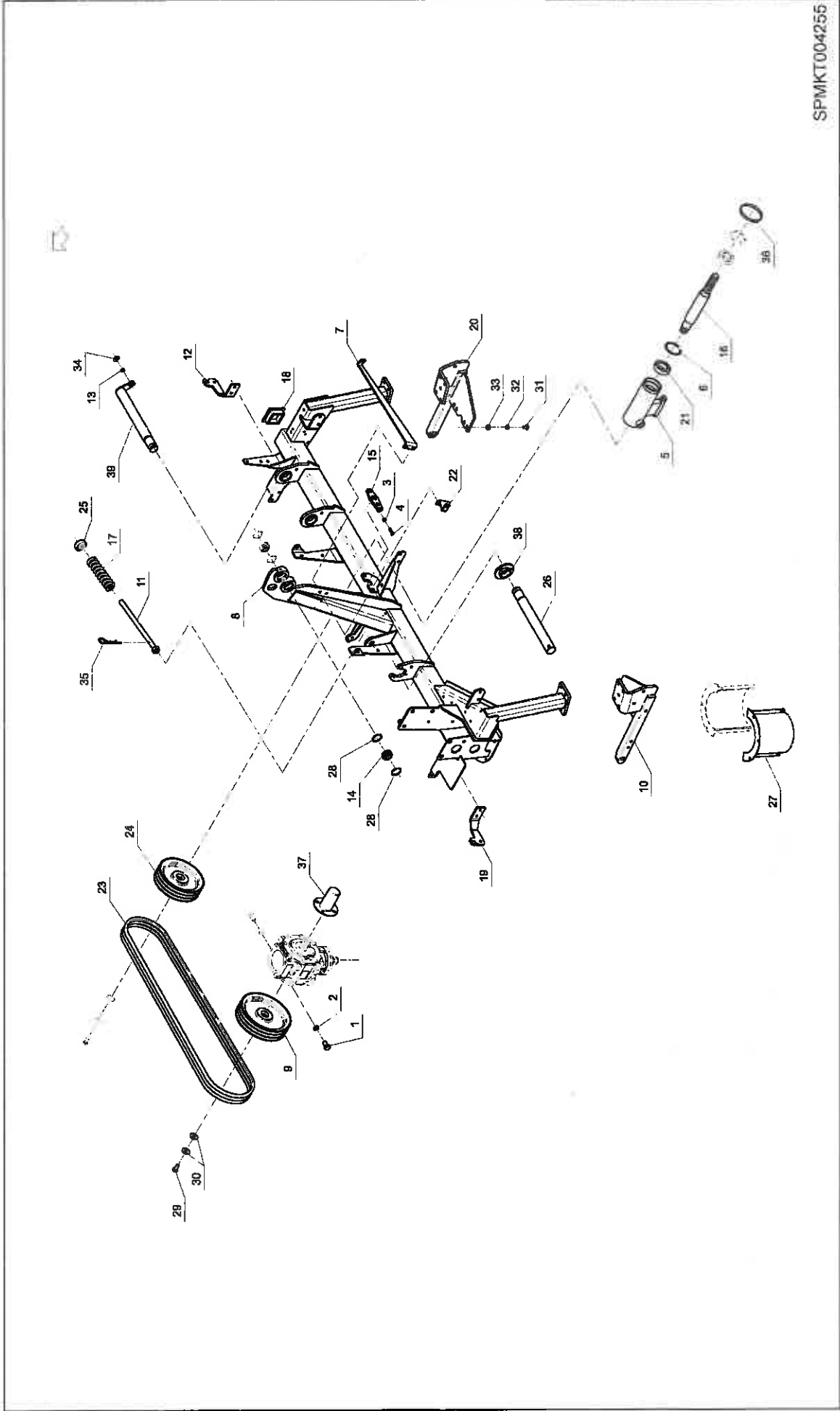


EXTRA 324F / GUARD

PosNo.	Part No.	Qty.	Description	Remark
1	A132186494	1	GUARD LH	
2	A132186994	1	GUARD RH	
3	A132191294	1	GUARD	
4	A132863094	1	TOOL BOX	
5	KT90757000	1	DECAL "VICON"	
6	KT9213200061	4	BRACKET	
7	KT9213500094	1	GUARD LH	
8	KT9213600094	1	GUARD RH	
9	KT9213700094	1	GUARD	
10	KT9215800094	1	GUARD LH	
11	KT9216010094	1	GUARD, RH	
12	KT9216520086	1	PLATE	
13	KT9235800061	1	BRACKET	
14	KT99331901	1	LINCH PIN Ø 6	



EXTRA 324F / MAIN FRAME, TRANSMISSION



SPMKT004255

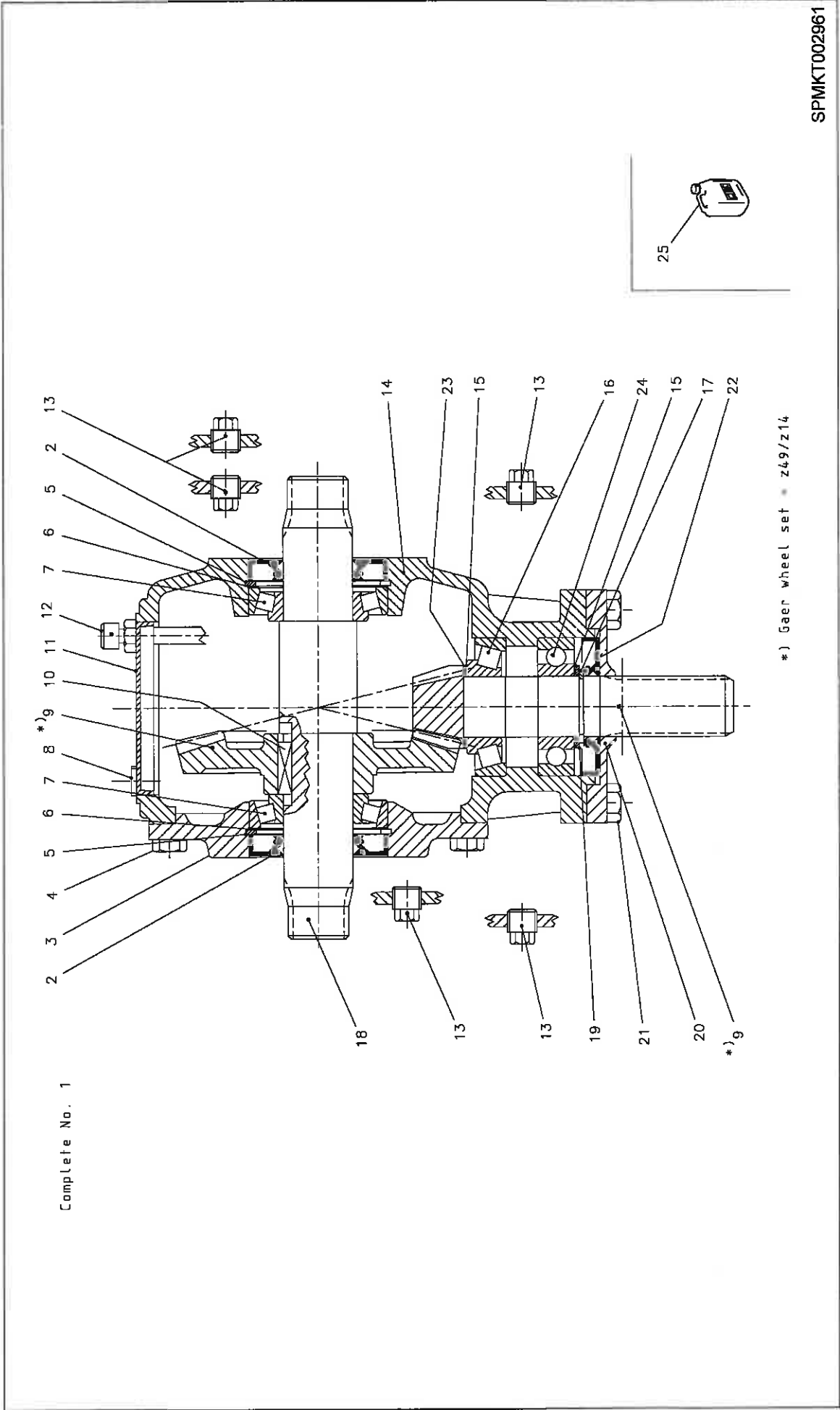


EXTRA 324F / MAIN FRAME, TRANSMISSION

PosNo.	Part No.	Qty.	Description	Remark
1	KG00480061	3	HEX. SCREW M16X30 8.8	
2	KT99333835	5	NORD-LOCK WASHER NL16SP (17,0X30,7X3,4)	
3	KG01051961	1	HEX. NUT M8 8	
4	KG00472261	1	M12. SCREW M8X30 8.8	
5	KT9216800086	1	BEARING BRACKET	
6	KG01130900	2	CIRCLIP-B 80 X 2.5	
7	KT9215710086	1	BRACKET, RH	
8	A132183786	1	MAIN FRAME 2,4 F	
9	KT92106000	1	PULLEY 3SPB DW 255	
10	KT9218700086	1	BRACKET LH	
11	KT9216100061	1	THREADED ADJUSTER	
12	KT9249510086	1	BRACKET RH.	
13	KG01260361	1	WASHER M10X30 ST	
14	KT99160045	2	BEARING Ø 25 GE25FO 2RS	
15	A132712361	1	ADJUSTMENT BRACKET	
16	KT92131000	1	SHAFT 1 3/8" Z=6	
17	KT9216600063	1	SPRING	
18	KT99458590	1	PLASTIC PLUG 90X90X35	
19	KT9249610086	1	BRACKET LH.	
20	KT1955400086	1	BRACKET	
21	KG01477900	2	BALL BEARING 6208-2RS C3	
22	KT9215610086	1	BRACKET, LH	
23	A132701100	1	BELT SPB LD 2664 (SET OF 3 PCS)	
24	KT91471000	1	V-BELT PULLEY 3SPB DW 225	
25	KT9216700061	1	NUT	
26	A132723661	1	PIN FOR SUSPENSION	
27	KT1955510086	2	GUARD	
28	KG01128700	4	CIRCLIP-B 47 X 1.75	
29	KG00476561	2	HEX. SCREW M12X30 8.8	
30	KT55670000	4	WASHER (DISC)	
31	KT4543100061	8	PLOUGH BOLT M12X35	
32	KT99333833	8	NORD-LOCK WASHER NL12 (13,0X19,5X2,5)	
33	KG01052161	8	HEX. NUT M12 8	
34	KT9248000061	1	RING	
35	VN90091569	1	SPRING	
36	KT993352040	1	HOSE BAND B12MM - SW7 (90-110) F1	
37	VF16624749.97	1	GUARD (BLACK)	
38	KT9237900061	1	BUSH	
39	A132060761	1	PIVOT PIN	



EXTRA 324F / MAIN GEAR BOX, COMPLETE





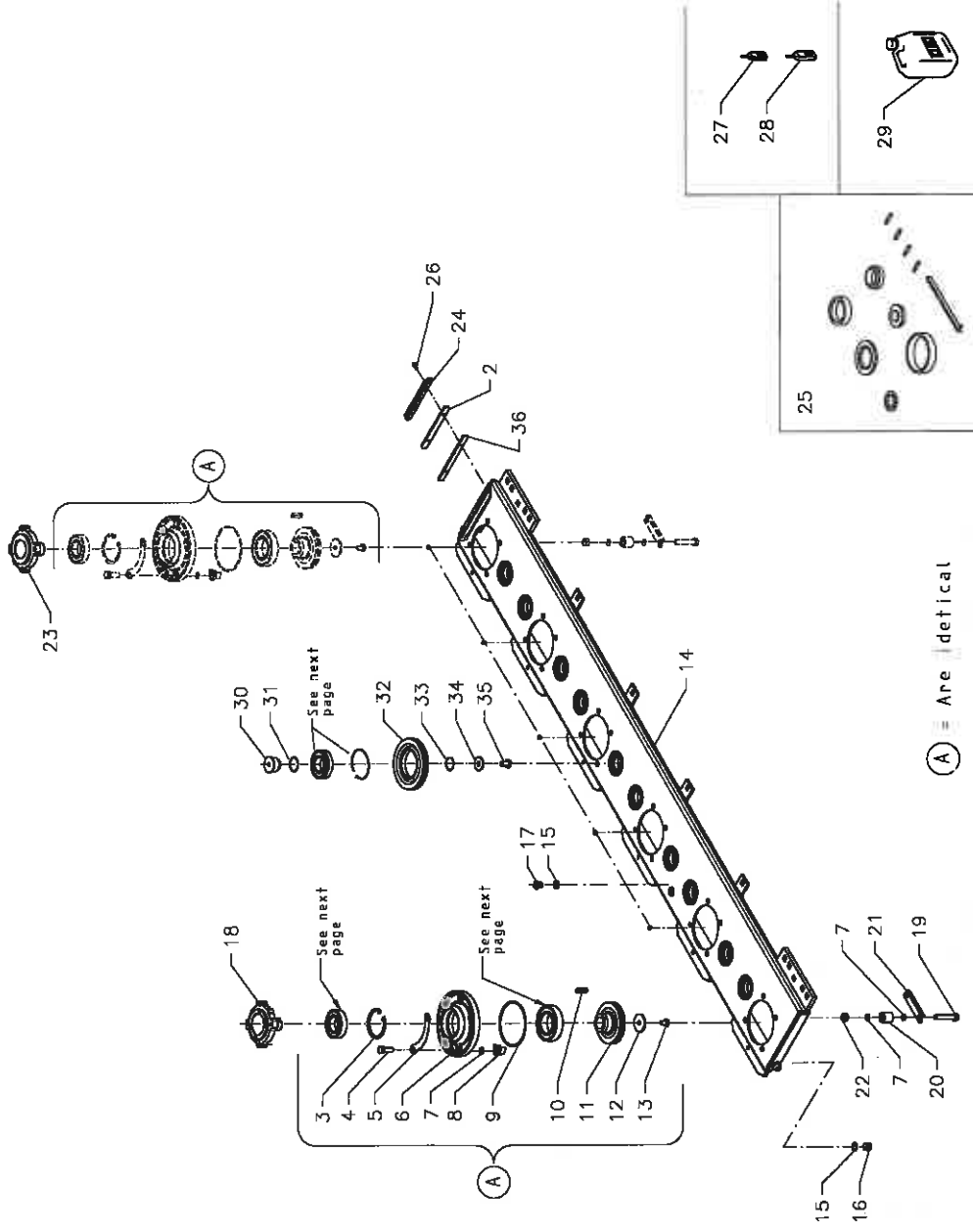
EXTRA 324F / MAIN GEAR BOX, COMPLETE

PosNo.	Part No.	Qty.	Description	Remark
1	KT99250806	1	GEAR BOX, COMPLETE	
2	KT99251290	2	DOUBLE LIP SEAL Ø40XØ80X12	
3	KT99251332	1	COVER	
4	KG00477261	8	HEX. SCREW M12X65 8.8	
5	KG01130900	2	CIRCLIP-B 80 X 2.5	
6	KT99250556	2	WASHER (DISC) Ø79.9	
7	KG01799800	2	TAPER ROLLER BEARING 30208	
8	KT99250583	1	PLUG	
9	KT92910000	1	GEAR WHEEL SET Z14/49	
10	KT99354142	1	KEY B12-8-35	
11	KT99251267	1	CAP 100X10	
12	KT99251334	1	DIPSTICK 3/4"	
13	KT99250982	5	OIL PLUG 3/8"	
14	KT99251297	1	CASING	
15	KT99250946	2	WASHER Ø35,3-Ø48	
16	KT99106225	1	ROLLER BEARING 30307	
17	KG01099300	1	CIRCLIP-A 35 X 2.5	
18	KT99251336	1	SHAFT	
19	KT99251294	1	SHIM	
20	KT99251295	1	COVER	
21	KG00476561	4	HEX. SCREW M12X30 8.8	
22	KT99250989	1	SEAL RING	
23	KT99251298	1	SHIM Ø35,3X0,9	
24	KG01401300	1	BALL BEARING 6307	
25	KT10105000	1	OIL CAN 5 LTR.	

EXTRA 324F / CUTTERBAR, COMPLETE



Complete No. 1



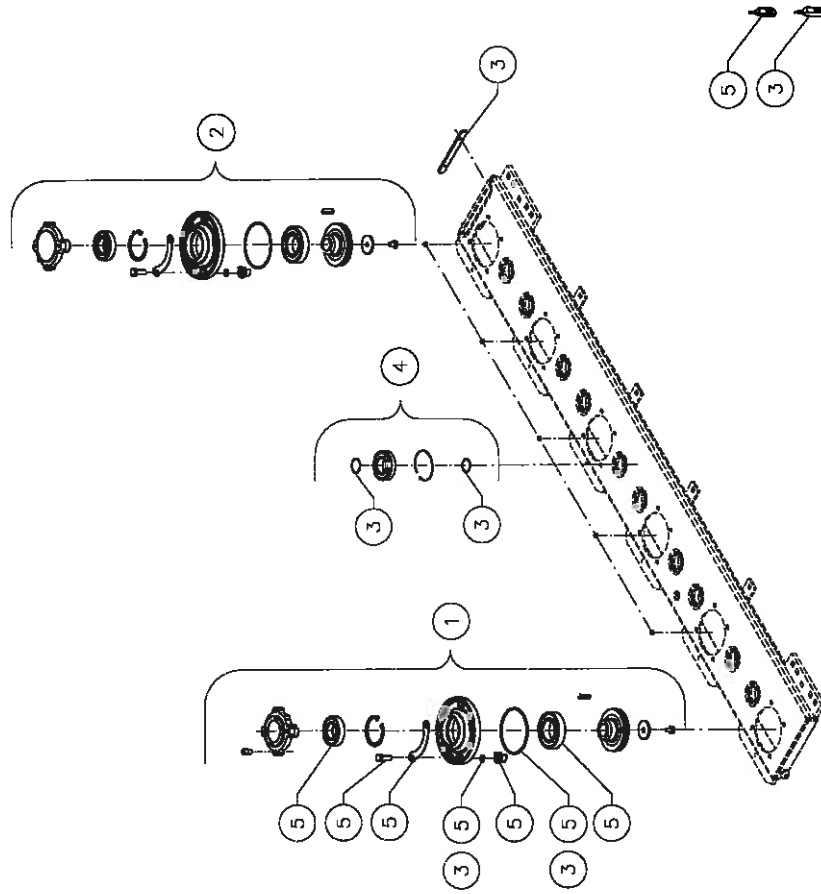
SFPMKT001696



EXTRA 324F / CUTTERBAR, COMPLETE

PosNo.	Part No.	Qty.	Description	Remark
1	KT5525820086	1	6-DISC CUTTERBAR, COMPLETE	
2	KT55651000	1	GASKET	
3	KG01130900	6	CIRCLIP-B 80 X 2.5	
4	KG01840800	20	HEX. SCREW M12X35 10.9 4017	
5	KT5572910061	12	LOCK PLATE	
6	KT55399000	6	CASING FOR 2 BEARINGS	
7	KT99420109	28	OIL SEAL Ø10,69X3,53	
8	KT55646100	20	NUT	
9	KT99420286	6	OIL SEAL Ø120,24X3,53	
10	KT99354026	6	PARALLEL KEY	
11	KT55640100	6	GEAR WHEEL Z=31	
12	KT55154000	6	WASHER 11/50-4	
13	KG00473961	6	HEX. SCREW M10X16 8.8	
14	KT5514500086	1	6-DISC CUTTERBAR	
15	KT99462718	2	DISC Ø16-Ø22X1	
16	KT99458109	1	TUBE PLUG M16X1,5	
17	KT99462633	1	PLUG M16X1,5	
18	KT55402000	1	HUB FOR CONE	
19	KT99302819	4	STEEL BOLT M12X65	
20	KT55766000	4	DISTANCE BUSHING	
21	KT55767000	2	LOCK PLATE	
22	KG01840900	4	HEX. NUT M12 10 4032	
23	KT55403000	5	HUB FOR CONE	
24	KT5564900061	1	COVER	
25	KT55695100	1	TOOL KIT FOR CUTTERBAR	
26	KG00542161	2	CHEESE HEAD SCREW M5X16 8.8	
27	KT99457134	1	LOCTITE TUBE 5ML SKRUESIKRING LOCT 243	
28	KT99457135	1	LOCTITE TUBE 10 G	
29	KT10105000	1	OIL CAN 5 LTR.	
30	KT55644000	10	JOURNAL	
31	KT99420238	10	OIL SEAL Ø37,1 X 1,6	
32	KT55641100	10	GEAR WHEEL Z=39	
33	KT99420125	10	OIL SEAL Ø34,2X3	
34	KT55670000	10	WASHER (DISC)	
35	KG00476261	10	HEX. SCREW M12X20 8.8	
36	KT55650000	1	LUG	

EXTRA 324F / CUTTERBAR, SPARE PARTS SET



SPMKT001697

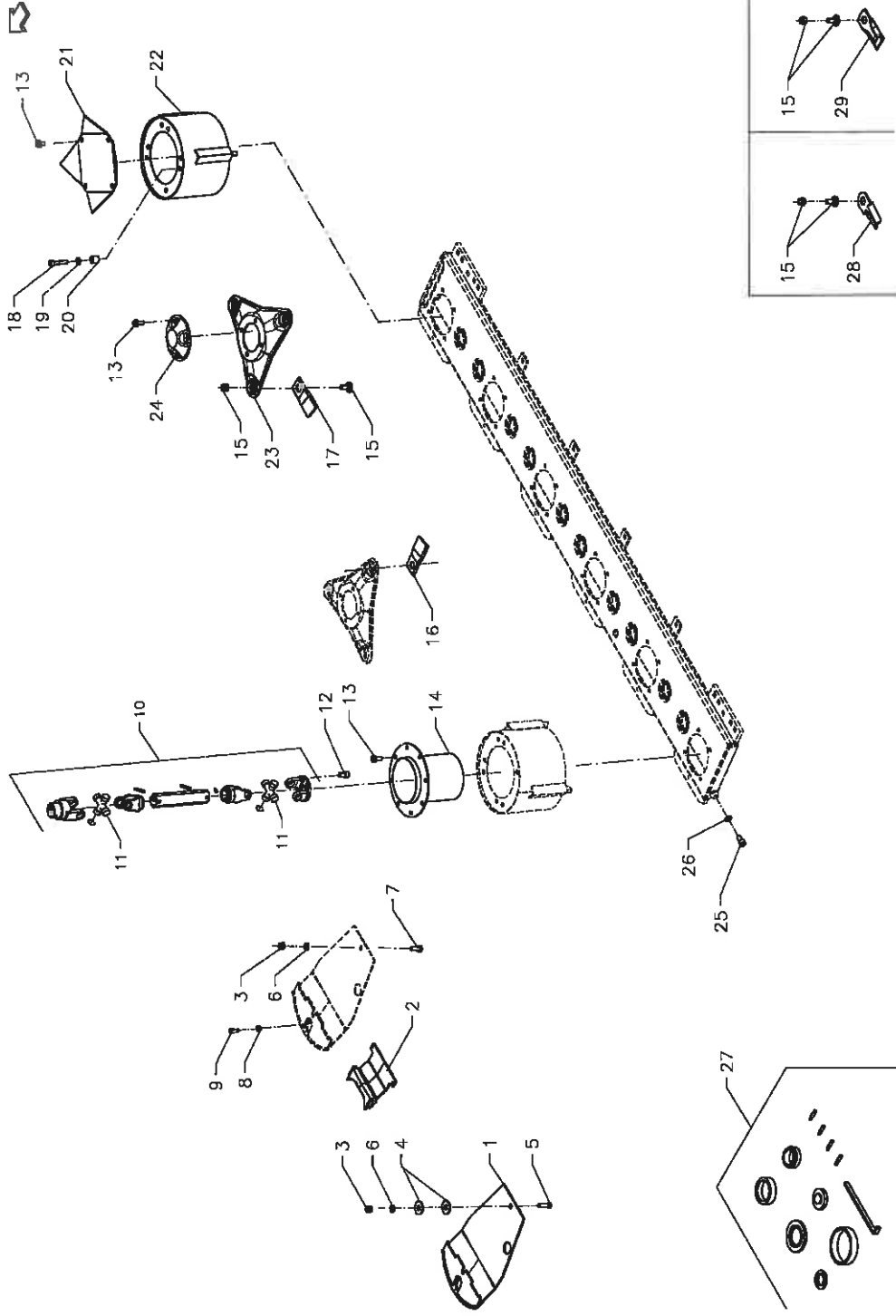


EXTRA 324F / CUTTERBAR, SPARE PARTS SET

PosNo.	Part No.	Qty.	Description	Remark
1	KT55243300	1	CASING (2 BEARINGS) FOR CONE / PTO, COMP	
2	KT55245300	1	CASING (2 BEARINGS) COMPLETE	
3	KT55710200	1	GASKET KIT	
4	KT55706100	1	SET OF BEARING	
5	KT55994000	1	KIT OF 2 BEARINGS	



EXTRA 324F / TRANSMISSION, CUTTERBAR



SPMKT003548

Page number: 8

KT456499 < Mach. ID <=

© Kverneland Group

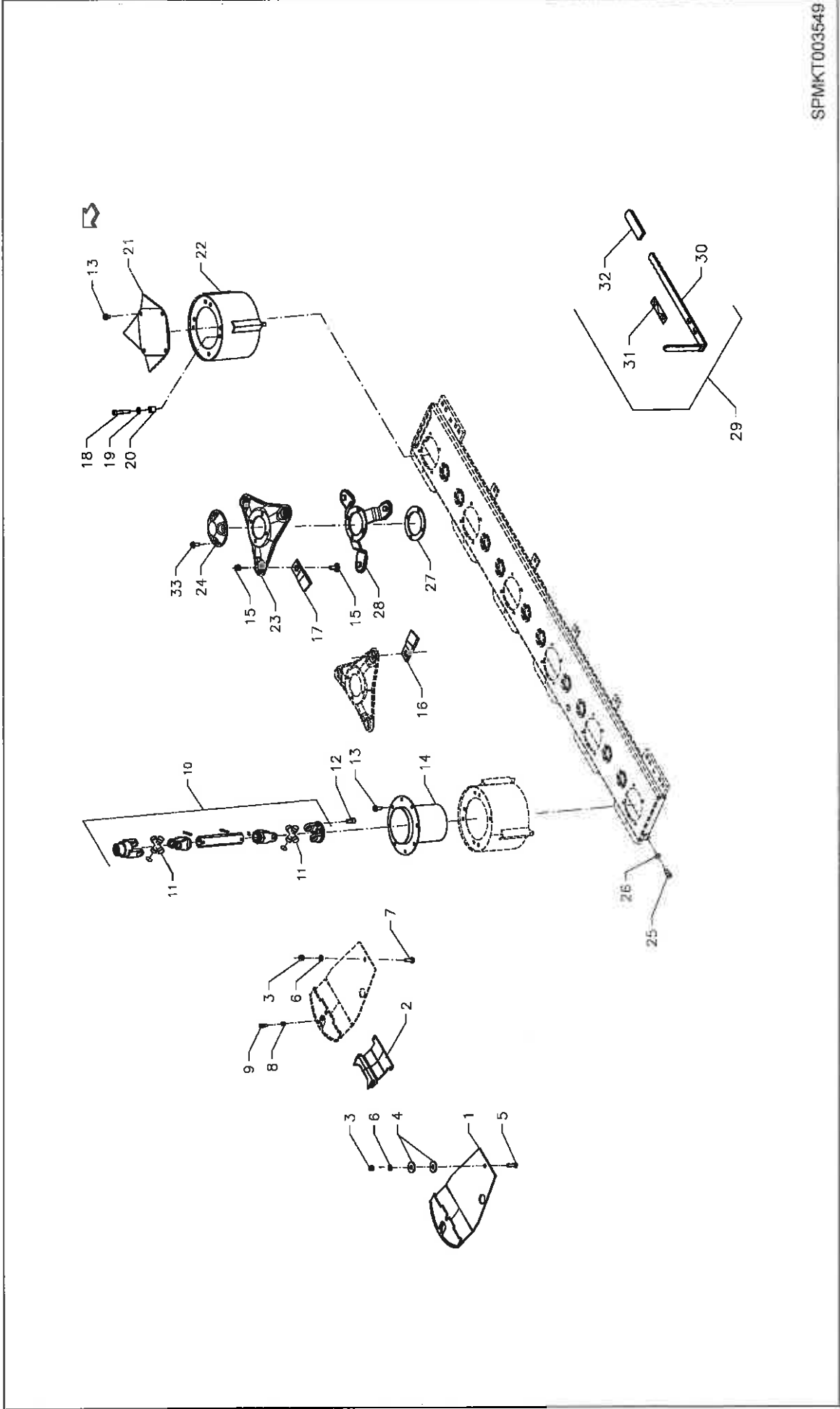


EXTRA 324F / TRANSMISSION, CUTTERBAR

PosNo.	Part No.	Qty.	Description	Remark
1	KT5512510086	6	WEARING SOLE	
2	KT5513910086	5	COUNTER KNIFE	
3	KG01064161	6	LOCK NUT M10 8	
4	KT5627100061	4	WASHER Ø13-Ø40X4	
5	KT56149000	2	PLOUGH BOLT M10-40	
6	KG01267461	6	WASHER M10	
7	KT45429000	4	PLOUGH BOLT M10-30	
8	KG01067561	6	LOCK NUT M8 8	
9	KG00545061	6	CHEESE HEAD SCREW M8X20 8.8	
10	KT99244528	1	UNIVERSAL JOINT	
11	KT99244618	2	CROSS AND BEARING KIT	
12	KG00595400	4	CHEESE HEAD SCREW M10X16 12.9	
13	KT99308826	24	STEEL BOLT (VERBUS RIBB BOLT) M10X20	
14	KT5549700086	1	INSERT FOR CONE, HIGH	
15	KT56785000	1	KNIFE BOLT KIT CPL. (25 PCS.)	
16	KT5611040001	9	KNIFE, RH (126MM)	
17	KT5611090001	9	KNIFE, LH (126MM)	
18	KG01904300	8	CHEESE HEAD SCREW M10X50 12.9	
19	KT99333832	8	NORD-LOCK WASHER NL3/8" (10,3 X 16,6)	
20	KT5539800061	8	BUSHING	
21	KT5698900094	1	TOP PLATE	
22	KT5514810094	2	HIGH CONE AGGRESSIV, TRIANGULAR DISC	
23	KT5513600094	6	CUTTING DISC	
24	KT5513700086	4	COVER	
25	KG00596200	2	CHEESE HEAD SCREW M12X20 12.9	
26	KT99333833	2	NORD-LOCK WASHER NL12 (13,0X19,5X2,5)	
27	KT55695100	1	TOOL KIT FOR CUTTERBAR	
28	KT5611030001	18	KNIFE (128MM)	
29	KT5611050001	18	KNIFE (131MM)	



EXTRA 324F / TRANSMISSION, CUTTERBAR + EXPRESS



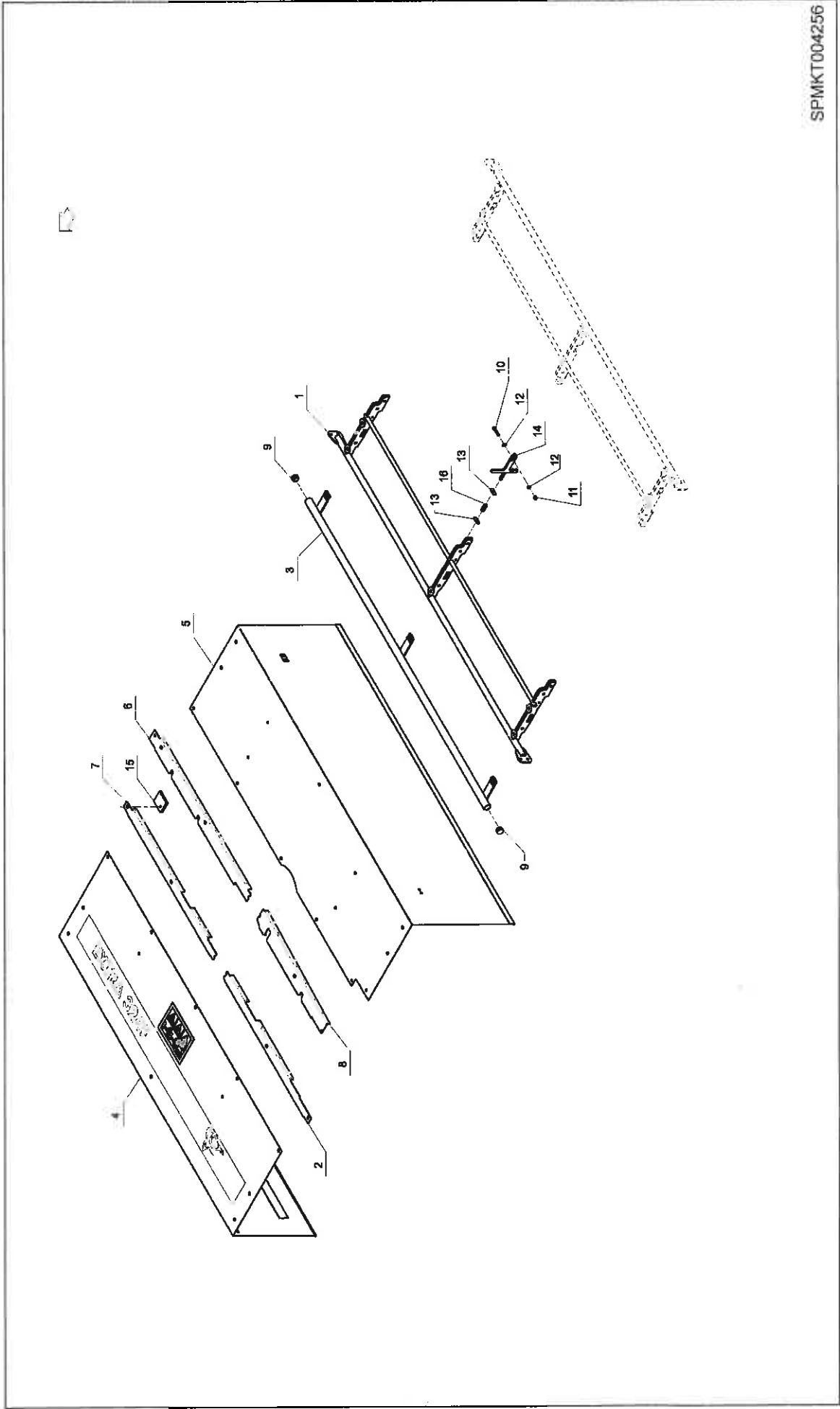
SPMKT003549



EXTRA 324F / TRANSMISSION, CUTTERBAR + EXPRESS

PosNo.	Part No.	Qty.	Description	Remark
1	KT5512510086	6	WEARING SOLE	
2	KT5513910086	5	COUNTER KNIFE	
3	KG01064161	6	LOCK NUT M10 8	
4	KT5627100061	4	WASHER Ø13-Ø40X4	
5	KT56149000	2	PLOUGH BOLT M10-40	
6	KG01267461	6	WASHER M10	
7	KT45429000	4	PLOUGH BOLT M10-30	
8	KG01067561	6	LOCK NUT M8 8	
9	KG00545061	6	CHEESE HEAD SCREW M8X20 8.8	
10	KT99244528	1	UNIVERSAL JOINT	
11	KT99244618	2	CROSS AND BEARING KIT	
12	KG00595400	4	CHEESE HEAD SCREW M10X16 12.9	
13	KT99308826	8	STEEL BOLT (VERBUS RIBB BOLT) M10X20	
14	KT5549700086	1	INSERT FOR CONE, HIGH	
15	KT56785000	1	KNIFE BOLT KIT CPL. (25 PCS.)	
16	KT5611040001	9	KNIFE, RH (126MM)	
17	KT5611090001	9	KNIFE, LH (126MM)	
18	KG01904500	8	CHEESE HEAD SCREW M10X60 12.9	
19	KT99333832	8	NORD-LOCK WASHER NL3/8" (10,3 X 16,6)	
20	KT5539800061	8	BUSHING	
21	KT5698900094	1	TOP PLATE	
22	KT5514810094	2	HIGH CONE AGGRESSIV, TRIANGULAR DISC	
23	KT5513600094	6	CUTTING DISC	
24	KT5513700086	4	COVER	
25	KG00596200	2	CHEESE HEAD SCREW M12X20 12.9	
26	KT99333833	2	NORD-LOCK WASHER NL12 (13,0X19,5X2,5)	
27	KT5526900061	6	WASHER 4MM (EXPRESS)	
28	KT5518500086	6	EXPRESS SPRING	
29	KT55177000	1	TOOL COMPLETE	
30	KT5517400061	1	TOOL	
31	KT55769000	1	DECAL	
32	KT38218000	1	PLASTIC HANDLE	
33	KT99308832	16	STEEL BOLT M10X35 10.9(VERBUS RIBB BOLT)	

EXTRA 324F / GUARD



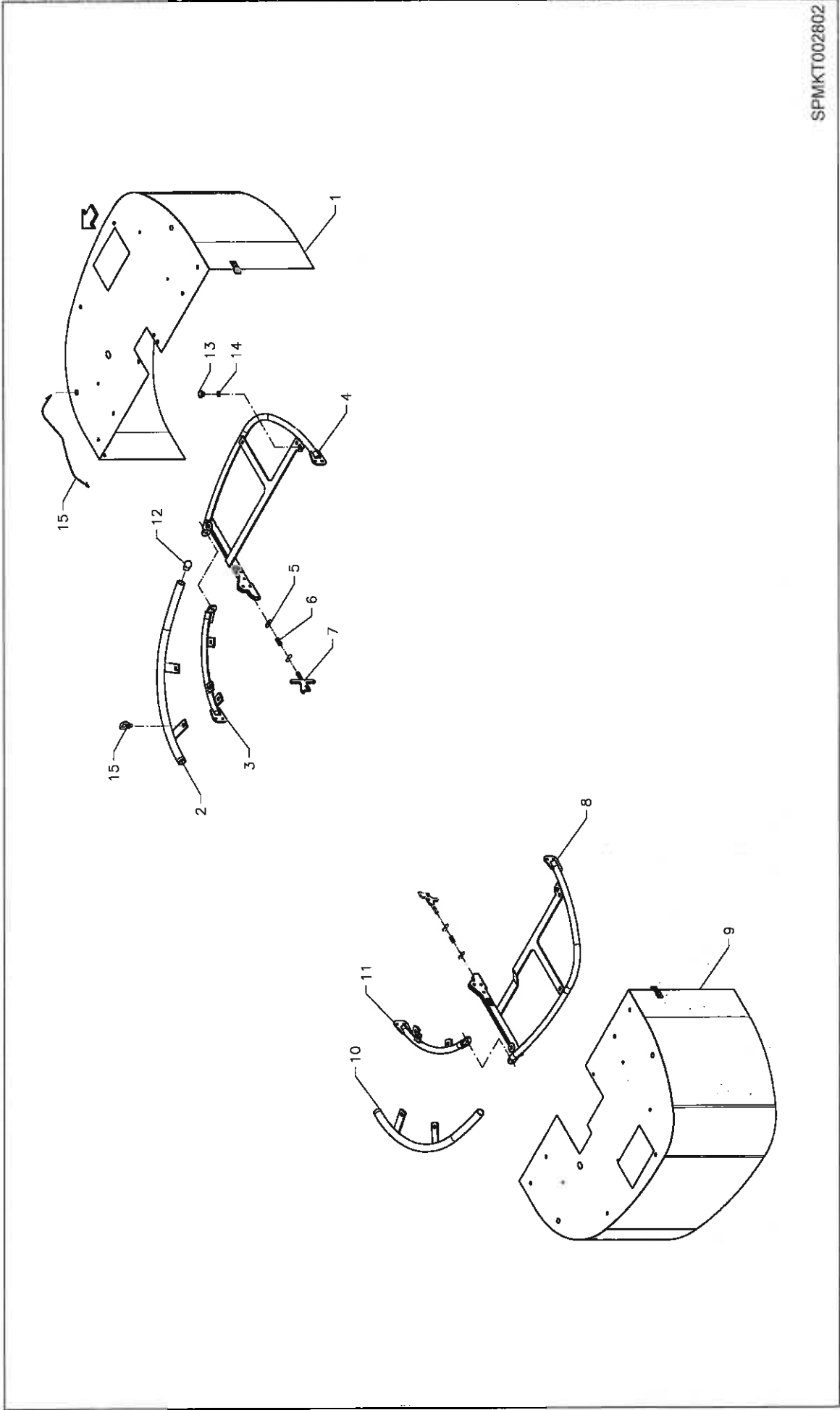
SPMKT004256



EXTRA 324F / GUARD

PosNo.	Part No.	Qty.	Description	Remark
1	A132192886	2	CENTER GUARD FRMO 2,4	
2	A132208286	1	PLATE FRONT LH	
3	A132217294	1	RAIL FRONT	
4	A132223400	1	TARPAULIN FRONT 324F	
5	A132223500	1	TARPAULIN REAR 324F	
6	A132707286	1	PLATE REAR RH	
7	A132708086	1	PLATE FRONT RH	
8	A132711786	1	PLATE REAR LH	
9	A132874300	2	PLASTIC PLUG Ø30X1,00-2,00 BLACK	
10	KG00472561	1	HEX. SCREW M8X45 8.8	
11	KG01064061	1	LOCK NUT M8 8	
12	KG01267361	2	WASHER M8	
13	KT9217900061	2	PLATE	
14	KT9232410061	1	LATCH	
15	KT9266100061	1	SPACER	
16	VF06215282	1	COMPRESSION SPRING	

EXTRA 324F / GUARD



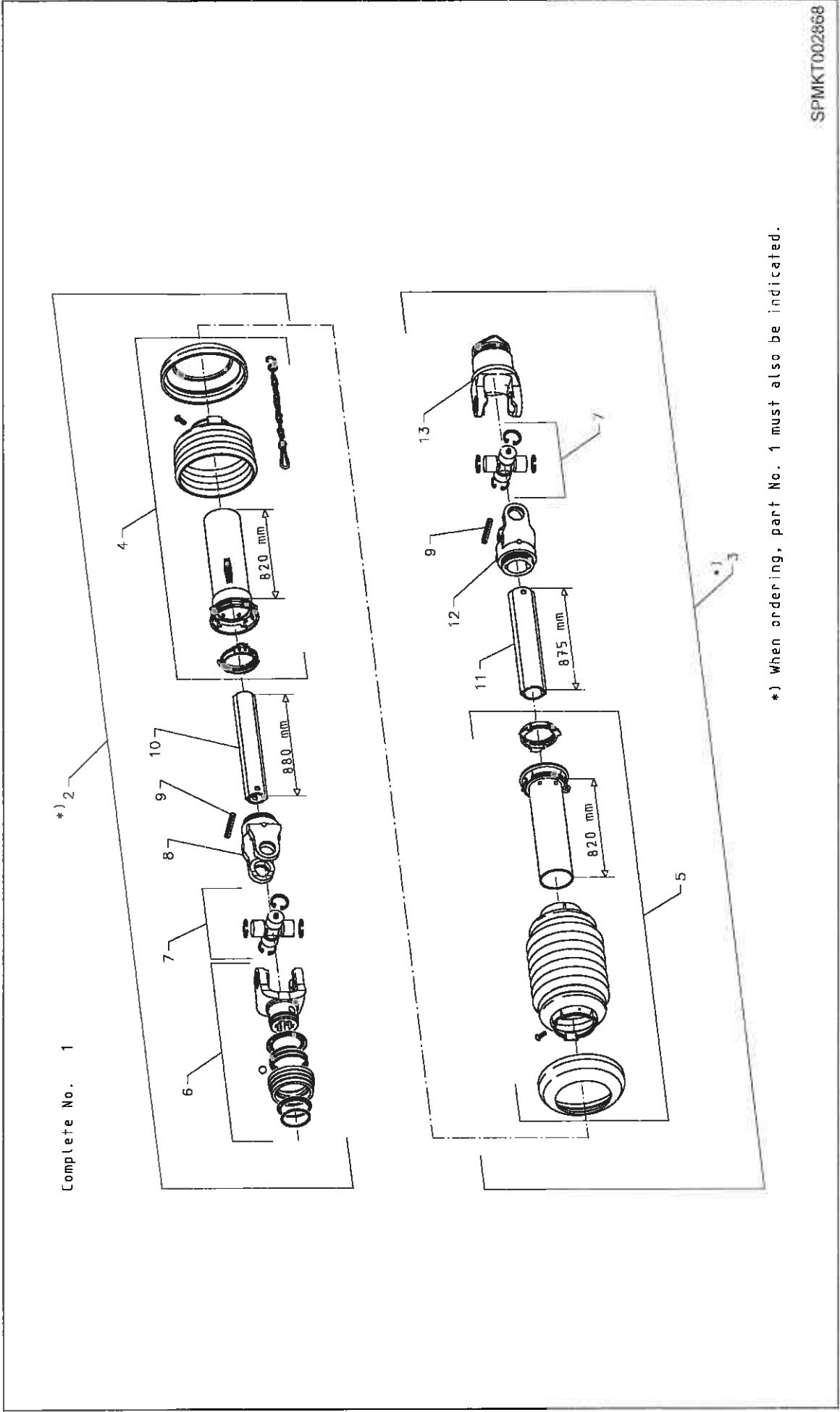
SPMKT002802



EXTRA 324F / GUARD

PosNo.	Part No.	Qty.	Description	Remark
1	KT92450000	1	TARPAULIN SIDE RH KM VICON	
2	KT9215300094	1	HOOP, RH	
3	KT9215510086	1	HOOP FRONT, RH	
4	KT9215410086	1	HOOP REAR, RH	
5	KT9217900061	4	PLATE	
6	VF06215282	2	COMPRESSION SPRING	
7	KT9218010061	2	LATCH	
8	KT9217110086	1	HOOP REAR, LH	
9	KT92449000	1	TARPAULIN, LH	
10	KT9217200094	1	HOOP, LH	
11	KT9216910086	1	HOOP FRONT, LH	
12	A132874300	4	PLASTIC PLUG Ø30X1,00-2,00 BLACK	
13	VF16622430	4	GUIDE EYE	
14	VF06214690	4	O-RING 15X 3,0 NBR70	
15	KT92534000	2	ELASTIC STRAP	

EXTRA 324F / PTO SHAFT



*) When ordering, part No. 1 must also be indicated.

SPMKT002868

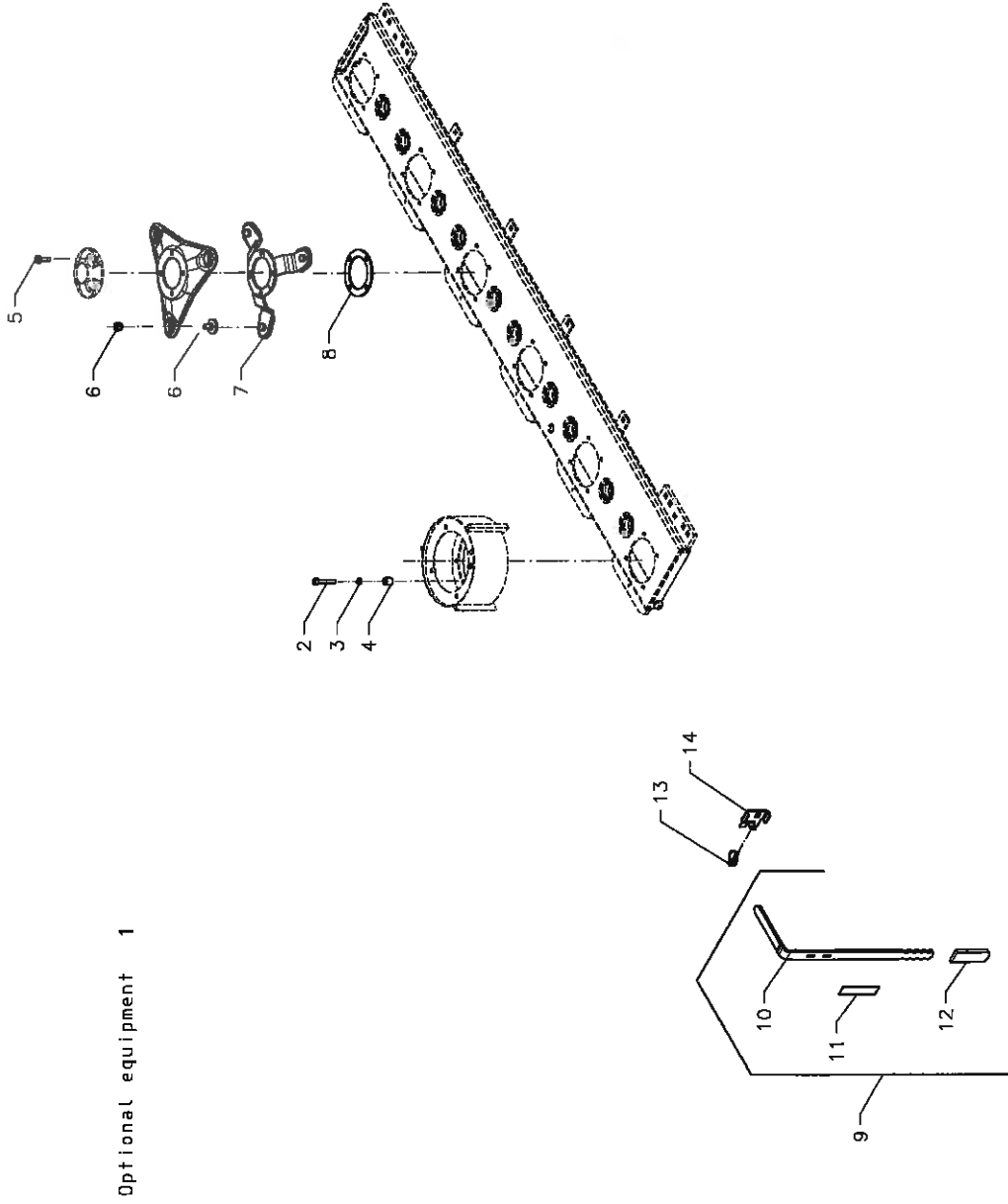


EXTRA 324F / PTO SHAFT

PosNo.	Part No.	Qty.	Description	Remark
1	KT99244331	1	PTO SHAFT W2300, COMPLETE	Walterscheid No. 158945
2	KT99244679	1	INNER PTO SHAFT INCL. PROTECTION TUBE	
3	KT99244680	1	OUTER PTO SHAFT INCL. PROTECTION TUBE	
4	KT99244584	1	OUTER PROTECTION TUBE, COMPLETE	
5	KT99244681	1	INNER PROTECTION TUBE, COMPLETE	Walterscheid No. 116169
6	KT99244586	1	YOKE, COMPLETE	Walterscheid No. 113041
7	KT99244588	2	CROSS, COMPLETE	Walterscheid No. 133834
8	KT99235524	1	YOKE	Walterscheid No. 116403
9	KT99330583	2	TENSION PIN X 10-65	Walterscheid No. 041315
10	KT99244589	1	INNER PROFILE TUBE	Walterscheid No. 135936
11	KT99244591	1	OUTER PROFILE TUBE	Walterscheid No. 136155
12	KT99244592	1	YOKE	Walterscheid No. 041318
13	KT99244682	1	OVERRUN CLUTCH	Walterscheid No. 128649



EXTRA 324F / OPTIONAL EQUIPMENT



SPMKT003546

Page number: 13

KT456499 < Mach. ID <=

© Kverneland Group

EXTRA 324F / OPTIONAL EQUIPMENT

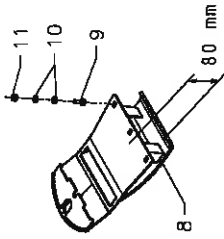


PosNo.	Part No.	Qty.	Description	Remark
1	ACCESSOIRE	1	PLEASE CONTACT YOUR DEALER	
2	KG01904500	8	CHEESE HEAD SCREW M10X60 12.9	
3	KT99333832	8	NORD-LOCK WASHER NL3/8" (10,3 X 16,6)	
4	KT5539800061	8	BUSHING	
5	KT99308832	20	STEEL BOLT M10X35 10.9(VERBUS RIBB BOLT)	
6	KT56998000	1	KIT OF KNIFE BOLT (25 PCS.)	
7	KT5518500086	6	EXPRESS SPRING	
8	KT5526900061	6	WASHER 4MM (EXPRESS)	
9	KT55177000	1	TOOL COMPLETE	
10	KT5517400061	1	TOOL	
11	KT55769000	1	DECAL	
12	KT38218000	1	PLASTIC HANDLE	
13	KT99331901	1	LINCH PIN Ø 6	
14	KT5577300061	1	PARKING BRACKET	

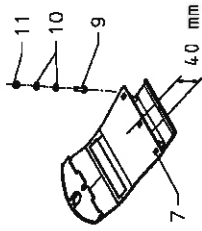


EXTRA 324F / OPTIONAL EQUIPMENT

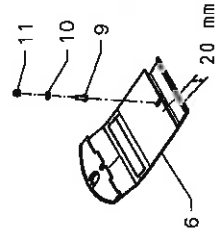
Complete No. 1
Set of 2 pcs.



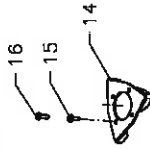
Complete No. 2
Set of 2 pcs.



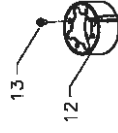
Complete No. 3
Set of 2 pcs.



Complete No. 4
Set of 6 pcs.



Complete No. 5



21 spline



SPMKT003547



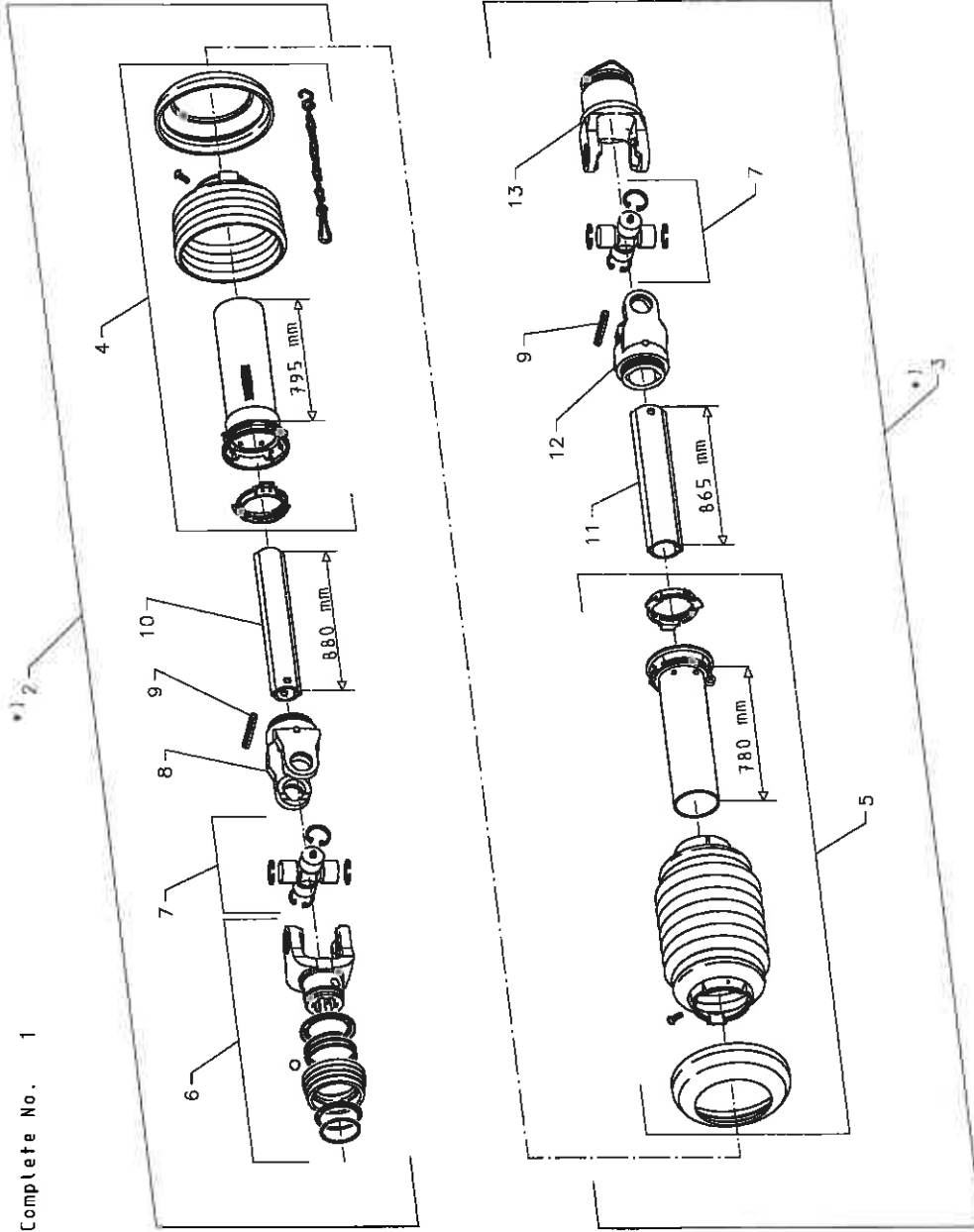
EXTRA 324F / OPTIONAL EQUIPMENT

PosNo.	Part No.	Qty.	Description	Remark
1	ACCESSOIRE	1	PLEASE CONTACT YOUR DEALER	
2	ACCESSOIRE	1	PLEASE CONTACT YOUR DEALER	
3	ACCESSOIRE	1	PLEASE CONTACT YOUR DEALER	
4	ACCESSOIRE	1	PLEASE CONTACT YOUR DEALER	
5	ACCESSOIRE	1	PLEASE CONTACT YOUR DEALER	
6	KT5535000086	2	HIGH LIFT SKID 20MM	
7	KT5524000086	2	HIGH LIFT SKID 40 MM	
8	KT5515300086	2	HIGH LIFT SKID 80 MM	
9	KG00474361	4	HEX. SCREW M10X30 8.8	
10	KG01267461	8	WASHER M10	
11	KG01064161	4	LOCK NUT M10 8	
12	KT9273500086	2	FLOW DRUM 80MM	
13	KG00981861	8	FLANGED BOLT M10X20 90	
14	KT2441300086	4	CONE, LOW	
15	KT99308828	16	STEEL BOLT M10X25 10.9	
16	KT99308830	16	STEEL BOLT	
17	KT99458493	1	TRIANGLE CAT.II	
18	A132398100	1	YOKE 21-SPLINE, W2300	

EXTRA 324F / OPTIONAL EQUIPMENT



Complete No. 1



*) When ordering, part No. 1 must also be indicated.

SPMKT002991

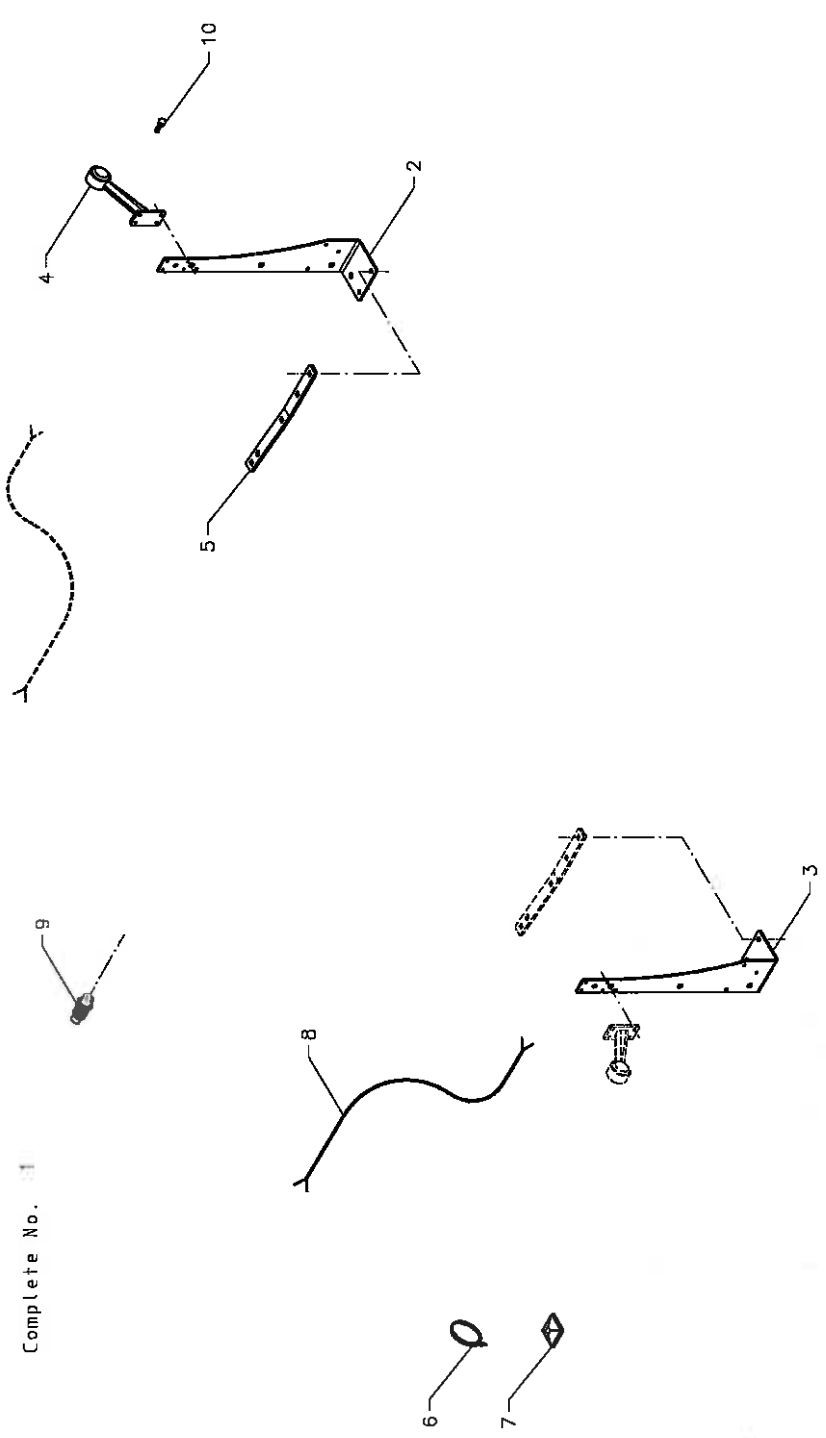
EXTRA 324F / OPTIONAL EQUIPMENT



PosNo.	Part No.	Qty.	Description	Remark
1	KT99244332	1	PTO SHAFT W2300, COMPLETE	Walterscheid No. 600297
2	KT99244679	1	INNER PTO SHAFT INCL. PROTECTION TUBE	
3	KT99244684	1	OUTER PTO SHAFT INCL. PROTECTION TUBE	
4	KT99244584	1	OUTER PROTECTION TUBE, COMPLETE	
5	KT99244681	1	INNER PROTECTION TUBE, COMPLETE	
6	KT99244586	1	YOKE, COMPLETE	Walterscheid No. 116169
7	KT99244588	2	CROSS, COMPLETE	Walterscheid No. 113041
8	KT99235524	1	YOKE	Walterscheid No. 133834
9	KT99330583	2	TENSION PIN X 10-65	Walterscheid No. 116403
10	KT99244589	1	INNER PROFILE TUBE	Walterscheid No. 041315
11	KT99244591	1	OUTER PROFILE TUBE	Walterscheid No. 135936
12	KT99244592	1	YOKE	Walterscheid No. 136155
13	KT99244685	1	OVERRUN CLUTCH	Walterscheid No. 041318 Walterscheid No. 110776



EXTRA 324F / OPTIONAL EQUIPMENT



Complete No. 31

SPMKT002803



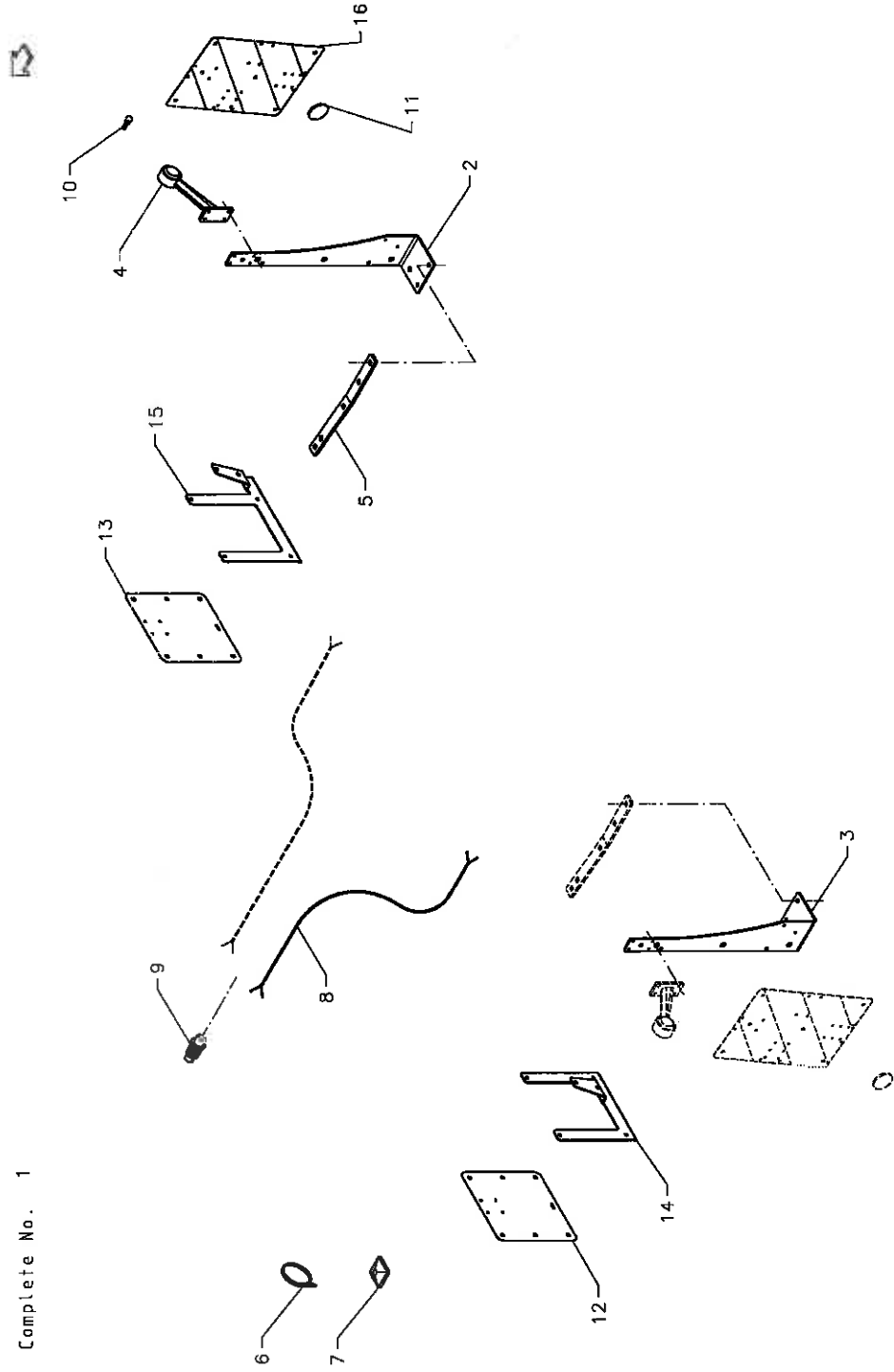
EXTRA 324F / OPTIONAL EQUIPMENT

PosNo.	Part No.	Qty.	Description	Remark
1	ACCESSOIRE	1	PLEASE CONTACT YOUR DEALER	
2	KT9270600086	1	BRACKET, RH	
3	KT9270500086	1	BRACKET, LH	
4	KT99474348	2	SIDE LIGHT RED/WHITE	
5	KT9270900086	2	BRACKET	
6	KT99478389	26	CABLE TIE	
7	KT99478395	13	PLATE	
8	KT92714000	2	CABLE	
9	KT99478196	1	7 PIN PLUG	
10	KT99477133	2	LIGHTING BULB 12V 5W	

EXTRA 324F / OPTIONAL EQUIPMENT



Complete No. 1



SPMKT002804



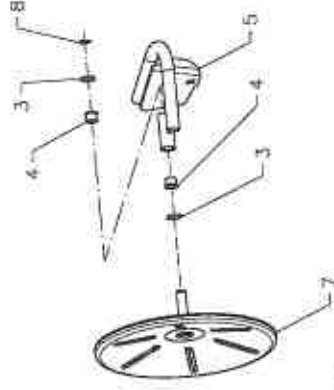
EXTRA 324F / OPTIONAL EQUIPMENT

PosNo.	Part No.	Qty.	Description	Remark
1	ACCESSOIRE	1	PLEASE CONTACT YOUR DEALER	
2	KT9270600086	1	BRACKET, RH	
3	KT9270500086	1	BRACKET, LH	
4	KT99474348	2	SIDE LIGHT RED/WHITE	
5	KT9270900086	2	BRACKET	
6	KT99478389	26	CABLE TIE	
7	KT99478395	13	PLATE	
8	KT92714000	2	CABLE	
9	KT99478196	1	7 PIN PLUG	
10	KT99477133	2	LIGHTING BULB 12V 5W	
11	VF06214037	2	REFLEX, CIRCULAR YELLOW, ADHESIVE D60	
12	VF16645752	1	WARNING PLATE 282X282 (LH)	
13	VF16645753	1	WARNING PLATE 282X282 (RH)	
14	KT9270700086	1	BRACKET FRONT, LH	
15	KT9270800086	1	BRACKET FRONT, RH	
16	KT99458381	2	RED/WHITE WARNI 423X282 VERT=RH/HORIZ=LH	

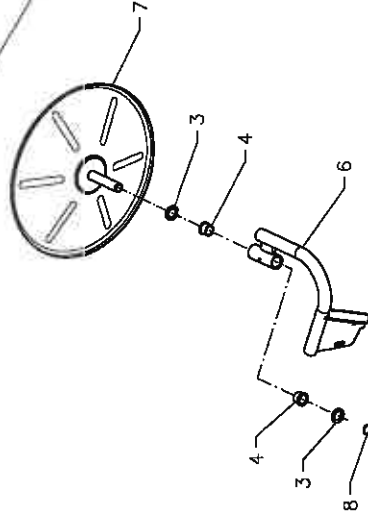
EXTRA 324F / OPTIONAL EQUIPMENT



Complete No. 1



Complete No. 2



SPMIKT003382



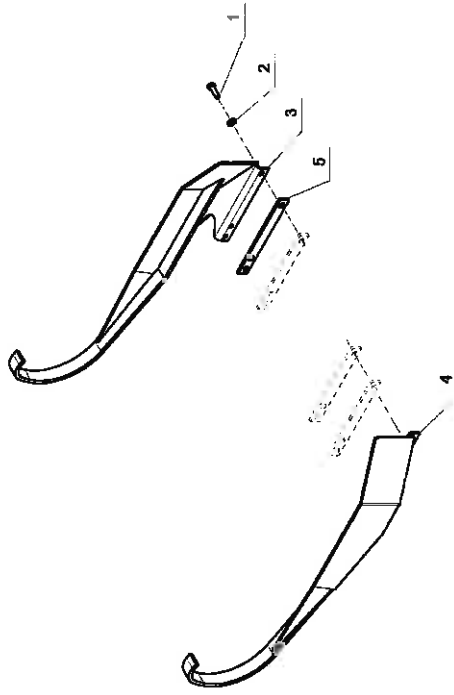
EXTRA 324F / OPTIONAL EQUIPMENT

PosNo.	Part No.	Qty.	Description	Remark
1	ACCESSOIRE	1	PLEASE CONTACT YOUR DEALER	
2	ACCESSOIRE	1	PLEASE CONTACT YOUR DEALER	
3	KT4540500061	4	WASHER	
4	KT99155025	4	NYLON BUSHING	
5	KT1943910086	1	ARM, RH	
6	KT1943810086	1	ARM, LH	
7	KT1946000086	2	SWATH ROLLER Ø500MM	
8	KG01108300	2	OUTER RETAINING RING-A 25 X 1.2	



EXTRA 324F / OPTIONAL EQUIPMENT

Complete No. 5



SPMKT004257



EXTRA 324F / OPTIONAL EQUIPMENT

PosNo.	Part No.	Qty.	Description	Remark
1	KG00476761	6	HEX. SCREW M12X40 8.8	
2	KG01267561	6	WASHER M12	
3	KT3847820086	1	STRAW DIVIDER, RH	
4	KT3847920086	1	STRAW DIVIDER, LH	
5	KT6985700061	4	PLATE	



EXTRA 324F / Part No Index

Part No.	Page	Pos No	Part No.	Page	Pos No	Part No.	Page	Pos No	Part No.	Page	Pos No	Part No.	Page	Pos No
A132060761	4	39	KG00472261	4	4	KG01128700	2	4	KG01128700	2	4	KT38218000	13	12
A132183786	4	8	KG00472561	10	10	KG01128700	4	28	KG01128700	4	28	KT3847820086	19	3
A132186494	3	1	KG00473961	6	13	KG01130900	4	6	KG01130900	4	6	KT3847920086	19	4
A132186994	3	2	KG00474361	14	9	KG01130900	5	5	KG01130900	5	5	KT42176000	1	29
A132191294	3	3	KG00474461	1	21	KG01130900	6	3	KG01130900	6	3	KT4540500061	18	3
A132192886	10	1	KG00476261	6	35	KG01260361	4	13	KG01260361	4	13	KT45429000	8	7
A132208286	10	2	KG00476561	4	29	KG01267361	10	12	KG01267361	10	12	KT45429000	9	7
A132217294	10	3	KG00476561	5	21	KG01267461	1	22	KG01267461	1	22	KT4543100061	4	31
A132223400	10	4	KG00476761	19	1	KG01267461	8	6	KG01267461	8	6	KT5512510086	8	1
A132223500	10	5	KG00477261	5	4	KG01267461	9	6	KG01267461	9	6	KT5512510086	9	1
A132398100	14	18	KG00480061	4	1	KG01267461	14	10	KG01267461	14	10	KT5513600094	8	23
A132582786	1	2	KG00542161	6	26	KG01267561	2	22	KG01267561	2	22	KT5513600094	9	23
A132582886	1	3	KG00545061	8	9	KG01267561	19	2	KG01267561	19	2	KT5513700086	8	24
A132701100	4	23	KG00545061	9	9	KG01401300	5	24	KG01401300	5	24	KT5513700086	9	24
A132707286	10	6	KG00595400	8	12	KG01477900	4	21	KG01477900	4	21	KT5513910086	8	2
A132708086	10	7	KG00595400	9	12	KG01799800	5	7	KG01799800	5	7	KT5513910086	9	2
A132711786	10	8	KG00596200	8	25	KG01840800	6	4	KG01840800	6	4	KT5514500086	6	14
A132712361	4	15	KG00596200	9	25	KG01840900	6	22	KG01840900	6	22	KT5514810094	8	22
A132723661	4	26	KG00981861	14	13	KG01904300	8	18	KG01904300	8	18	KT5514810094	9	22
A132863094	3	4	KG01051961	4	3	KG01904500	9	18	KG01904500	9	18	KT5515300086	14	8
A132874300	10	9	KG01052061	1	24	KG01904500	13	2	KG01904500	13	2	KT55154000	6	12
A132874300	11	12	KG01052161	4	33	KT10105000	5	25	KT10105000	5	25	KT5517400061	9	30
ACCESSOIRE	13	1	KG01052661	1	26	KT10105000	6	29	KT10105000	6	29	KT5517400061	13	10
ACCESSOIRE	14	1	KG01064061	10	11	KT1943810086	18	6	KT1943810086	18	6	KT55177000	9	29
ACCESSOIRE	14	2	KG01064161	1	23	KT1943910086	18	5	KT1943910086	18	5	KT55177000	13	9
ACCESSOIRE	14	3	KG01064161	8	3	KT1946000086	18	7	KT1946000086	18	7	KT5518500086	9	28
ACCESSOIRE	14	4	KG01064161	9	3	KT1955400086	4	20	KT1955400086	4	20	KT5518500086	13	7
ACCESSOIRE	14	5	KG01064161	14	11	KT1955510086	4	27	KT1955510086	4	27	KT5524000086	14	7
ACCESSOIRE	16	1	KG01064261	2	23	KT24242100	2	17	KT24242100	2	17	KT55243300	7	1
ACCESSOIRE	17	1	KG01067561	8	8	KT2441300086	14	14	KT2441300086	14	14	KT55245300	7	2
ACCESSOIRE	18	1	KG01067561	9	8	KT3130700061	2	3	KT3130700061	2	3	KT5525820086	6	1
ACCESSOIRE	18	2	KG01099300	5	17	KT33412200	2	11	KT33412200	2	11	KT5526900061	9	27
KG00356061	1	25	KG01108300	18	8	KT38218000	9	32	KT38218000	9	32	KT5526900061	13	8



EXTRA 324F / Part No Index

Part No.	Page	Pos No	Part No.	Page	Pos No	Part No.	Page	Pos No	Part No.	Page	Pos No
KT5535000086	14	6	KT5611090001	8	17	KT9212010086	1	8	KT92378000	1	19
KT5539800061	8	20	KT5611090001	9	17	KT9212100063	1	15	KT9237900061	4	38
KT5539800061	9	20	KT56149000	8	5	KT9212200063	1	14	KT92449000	11	9
KT5539800061	13	4	KT56149000	9	5	KT9212300061	2	13	KT92450000	11	1
KT55399000	6	6	KT5627100061	8	4	KT9212400061	2	7	KT9248000061	4	34
KT55402000	6	18	KT5627100061	9	4	KT9212800086	1	10	KT9249300061	1	27
KT55403000	6	23	KT56785000	8	15	KT92131000	4	16	KT9249400061	1	28
KT5549700086	8	14	KT56785000	9	15	KT9213200061	3	6	KT9249510086	4	12
KT5549700086	9	14	KT5698900094	8	21	KT9213500094	3	7	KT9249610086	4	19
KT55640100	6	11	KT5698900094	9	21	KT9213600094	3	8	KT92534000	11	15
KT55641100	6	32	KT56998000	13	6	KT9213700094	3	9	KT92666100061	10	15
KT55644000	6	30	KT5882400061	1	7	KT9215300094	11	2	KT9270500086	16	3
KT55646100	6	8	KT60149000	2	21	KT9215410086	11	4	KT9270500086	17	3
KT5564900061	6	24	KT60245000	2	9	KT9215510086	11	3	KT9270600086	16	2
KT55650000	6	36	KT63438000	1	11	KT9215610086	4	22	KT9270600086	17	2
KT55651000	6	2	KT6755820061	1	30	KT9215710086	4	7	KT9270700086	17	14
KT55670000	4	30	KT68312000	1	17	KT9215800094	3	10	KT9270800086	17	15
KT55670000	6	34	KT6985700061	19	5	KT9216010094	3	11	KT9270900086	16	5
KT55695100	6	25	KT70122000	1	20	KT9216100061	4	11	KT9270900086	17	5
KT55695100	8	27	KT9051410061	1	18	KT9216520086	3	12	KT92714000	16	8
KT55706100	7	4	KT90757000	3	5	KT9216600063	4	17	KT92714000	17	8
KT55710200	7	3	KT91471000	4	24	KT9216700061	4	25	KT9273500086	14	12
KT5572910061	6	5	KT9148500061	2	2	KT9216800086	4	5	KT92910000	5	9
KT55766000	6	20	KT9199900086	2	14	KT9216910086	11	11	KT99106225	5	16
KT55767000	6	21	KT9210200086	1	1	KT9217110086	11	8	KT99155025	18	4
KT55769000	9	31	KT92106000	4	9	KT9217200094	11	10	KT99158088	1	4
KT55769000	13	11	KT9210700086	2	1	KT9217900061	10	13	KT99160045	2	5
KT5577300061	13	14	KT9211310061	2	6	KT9217900061	11	5	KT99160045	4	14
KT55994000	7	5	KT9211400063	2	12	KT9218010061	11	7	KT99235524	12	8
KT5611030001	8	28	KT9211500061	2	8	KT9218700086	4	10	KT99235524	15	8
KT5611040001	8	16	KT9211700061	1	16	KT92221000	2	16	KT99244331	12	1
KT5611040001	9	16	KT9211800061	1	12	KT9232410061	10	14	KT99244332	15	1
KT5611050001	8	29	KT9211910086	1	9	KT9235800061	3	13	KT992444528	8	10



EXTRA 324F / Part No Index

Part No.	Page	Pos No	Part No.	Page	Pos No	Part No.	Page	Pos No
KT99244528	9	10	KT99251297	5	14	KT99420238	6	31
KT99244584	12	4	KT99251298	5	23	KT99420286	6	9
KT99244584	15	4	KT99251332	5	3	KT99428518	2	20
KT99244586	12	6	KT99251334	5	12	KT99450758	1	6
KT99244586	15	6	KT99251336	5	18	KT99457134	6	27
KT99244588	12	7	KT99302819	6	19	KT99457135	6	28
KT99244588	15	7	KT99307973	1	5	KT99458109	6	16
KT99244589	12	10	KT99308826	8	13	KT99458381	17	16
KT99244589	15	10	KT99308826	9	13	KT99458493	14	17
KT99244591	12	11	KT99308828	14	15	KT99458590	4	18
KT99244591	15	11	KT99308830	14	16	KT99462633	6	17
KT99244592	12	12	KT99308832	9	33	KT99462718	6	15
KT99244592	15	12	KT99308832	13	5	KT99474348	16	4
KT99244618	8	11	KT99330583	12	9	KT99474348	17	4
KT99244618	9	11	KT99330583	15	9	KT99477133	16	10
KT99244679	12	2	KT99331901	3	14	KT99477133	17	10
KT99244679	15	2	KT99331901	13	13	KT99478196	16	9
KT99244680	12	3	KT99333832	8	19	KT99478196	17	9
KT99244681	12	5	KT99333832	9	19	KT99478389	16	6
KT99244681	15	5	KT99333832	13	3	KT99478389	17	6
KT99244682	12	13	KT99333833	4	32	KT99478395	16	7
KT99244684	15	3	KT99333833	8	26	KT99478395	17	7
KT99244685	15	13	KT99333833	9	26	VF06214037	17	11
KT99250556	5	6	KT99333835	4	2	VF06214313	2	24
KT99250583	5	8	KT99352040	4	36	VF06214690	11	14
KT99250806	5	1	KT99354026	6	10	VF06215282	10	16
KT99250946	5	15	KT99354142	5	10	VF06215282	11	6
KT99250982	5	13	KT99402350	2	19	VF16622430	11	13
KT99250989	5	22	KT99407085	2	18	VF16624749.97	4	37
KT99251267	5	11	KT99408952	2	10	VF16645752	17	12
KT99251290	5	2	KT99413223	2	15	VF16645753	17	13
KT99251294	5	19	KT99420109	6	7	VN90091569	4	35
KT99251295	5	20	KT99420125	6	33	VNB1326493	1	13



EXTRA 324F

KT456499 < Mach. ID <=

Kverneland Group Kerteminde AS
Taarpstrandvej 25
DK-5300 Kerteminde
Denmark
+45 65 19 19 00
+45 65 19 19 99

© Kverneland Group

All rights reserved. No parts of this book may be reproduced, stored in a database or retrieval system, or published in any form or in any way, electronically, mechanically, optically, by print, photo print, microfilm (including micro and macro fiche), or any other means, including all video and CD systems, without prior written permission from the publisher.

Print date: 2015-06-22



