

EXTRA 224

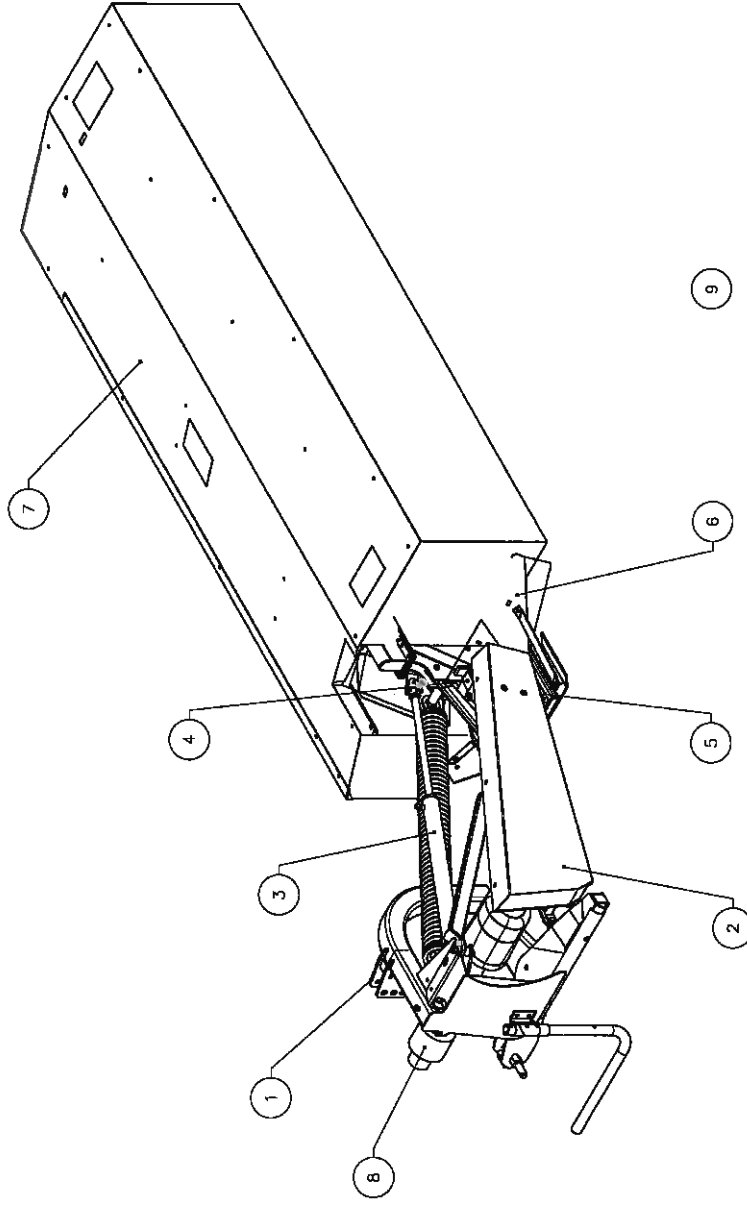
Spare Parts Manual

Article number: A132724440_01-2014-06
Language: EN
Production year (from): 2014
Prod. Series nr (from): KT451138 < Mach. ID <=



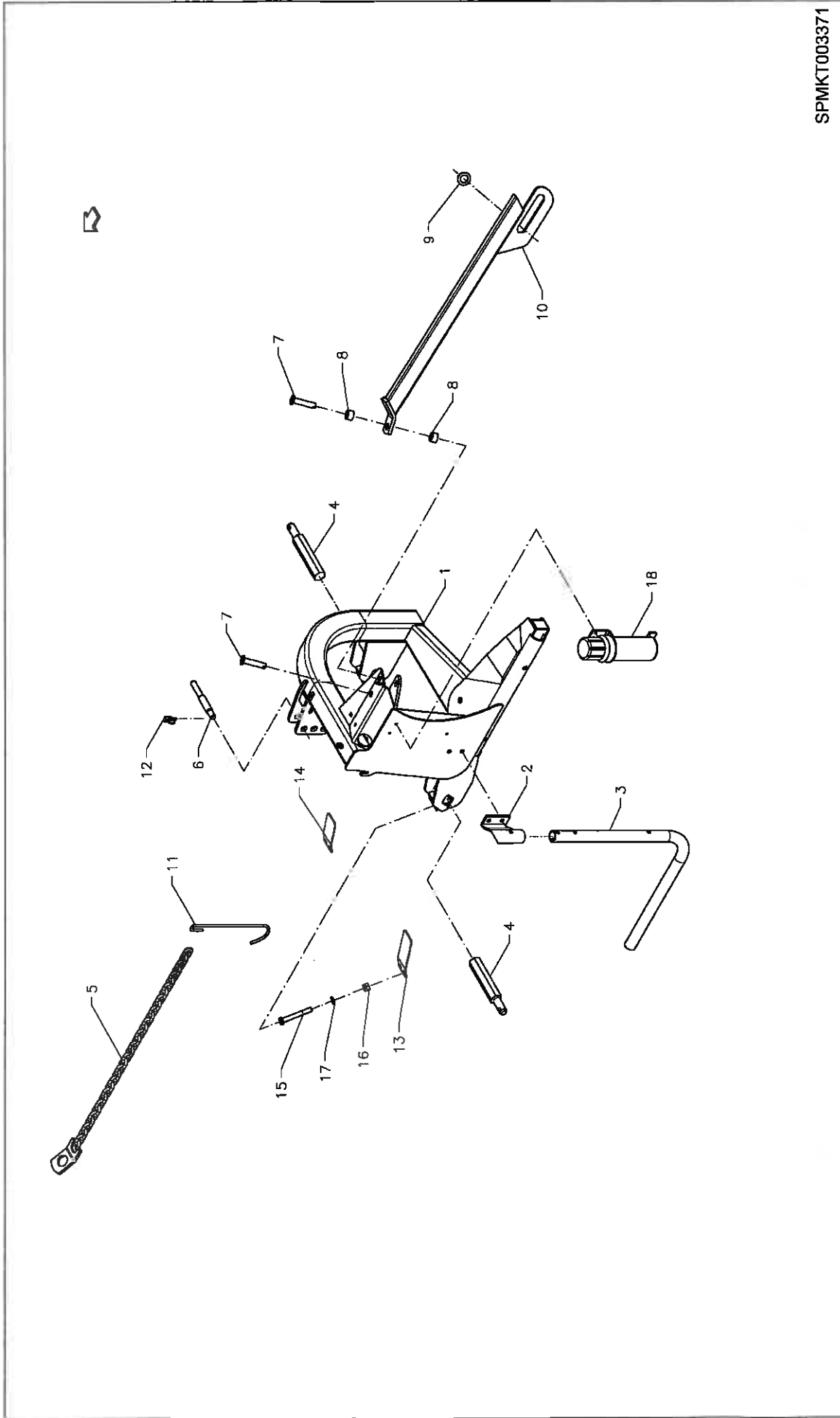
EXTRA 224 / Table of Contents

PosNo.	Assembly group	Page
1	LINKAGE	1
2	TRANSMISSION	2
3	SPRING, HYDRAULIC CYLINDER	3
4	TRANSMISSION	4
5	CUTTERBAR, COMPLETE	5
5	CUTTERBAR, SPARE PARTS SET	6
5	TRANSMISSION, CUTTERBAR	7
6	SWATH BOARDS	8
7	TARPAULIN	9
8	PTO SHAFT	10
9	OPTIONAL EQUIPMENT	11
9	OPTIONAL EQUIPMENT	12
9	OPTIONAL EQUIPMENT	13
9	OPTIONAL EQUIPMENT	14
9	OPTIONAL EQUIPMENT	15
9	OPTIONAL EQUIPMENT	16
9	OPTIONAL EQUIPMENT	17





EXTRA 224 / LINKAGE



SPMKT003371

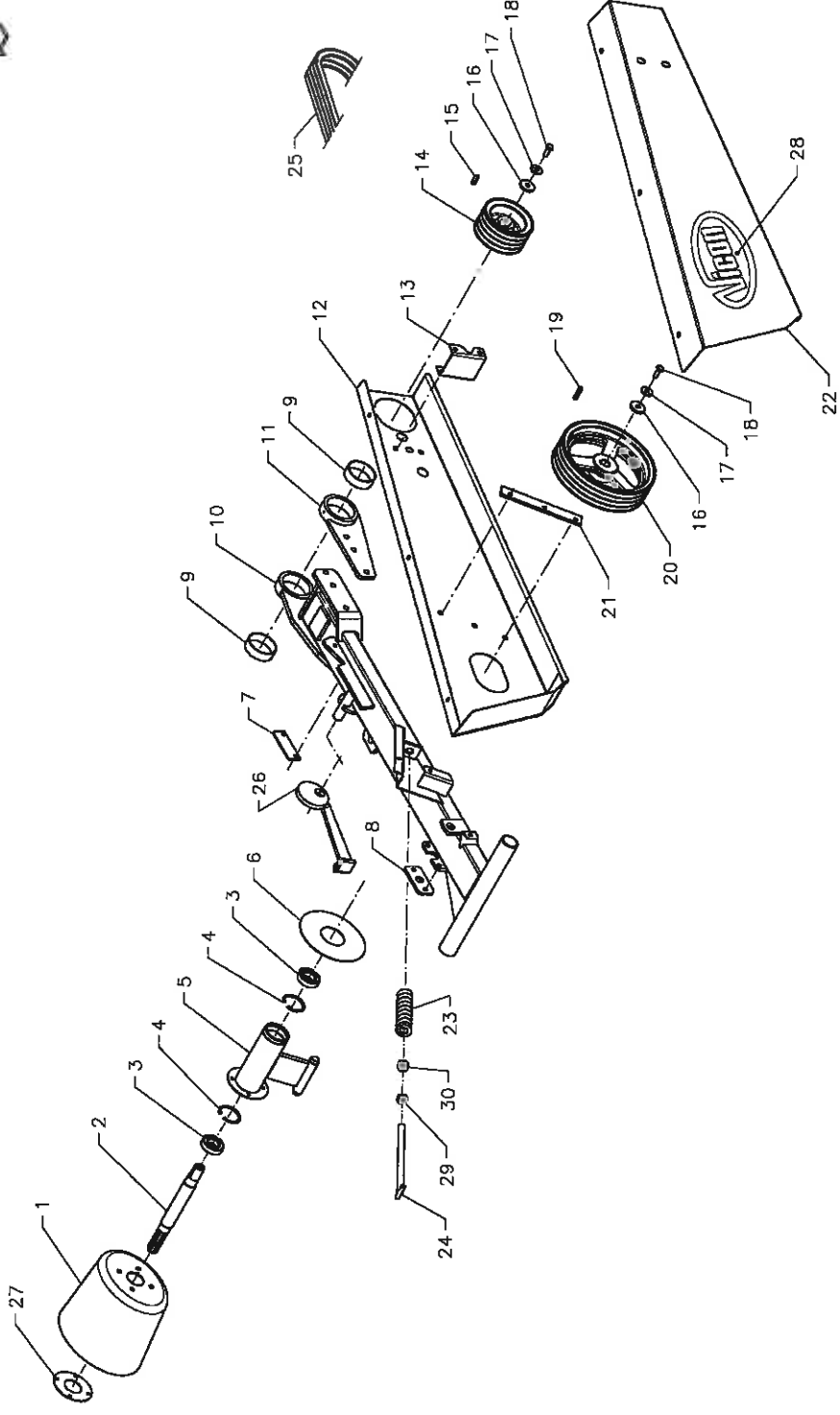


EXTRA 224 / LINKAGE

PosNo.	Part No.	Qty.	Description	Remark
1	KT2417620094	1	3-POINT LINKAGE	
2	KT2424310061	1	BRACKET	
3	KT2418200061	1	SUPPORT LEG	
4	KT1940800061	2	HITCH PIN	
5	KT2420700061	1	CHAIN	
6	KT4736400061	1	BOLT FOR TOP LINK	
7	KT2417900061	2	PIN BOLT	
8	KT2418000061	2	SPACER	
9	VF06214231	1	WASHER 26X40X2 A3C	
10	KT2420010086	1	SUPPORT	
11	VNB1326493	1	HOOK	
12	KT42176000	1	LINCH PIN Ø10MM	
13	A132311186	1	COVER PLATE	
14	A132311086	1	COVER PLATE	
15	KG00362961	4	HEX. BOLT M16X120 8.8	
16	KG01064461	4	LOCK NUT M16 8	
17	KG01267761	4	WASHER M16	
18	VF16660164	1	DOCUMENT BOX D=89 MM	



EXTRA 224 / TRANSMISSION



SPMKT002346

Page number: 2

KT451138 < Mach. ID <=

© Kverneland Group

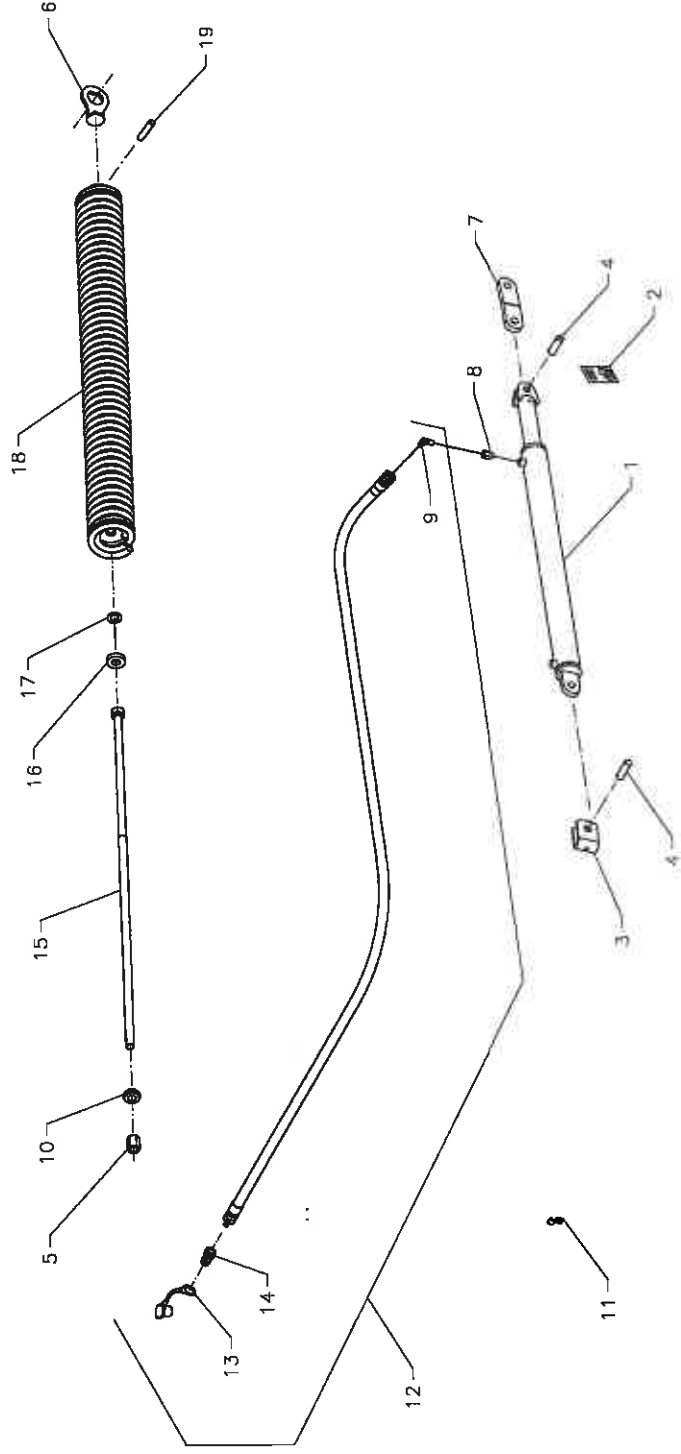


EXTRA 224 / TRANSMISSION

PosNo.	Part No.	Qty.	Description	Remark
1	KT99244506	1	GUARD	
2	KT24225000	1	AXLE	
3	KG01381100	2	BALL BEARING 6207-2RS	
4	KG01130500	2	CIRCLIP-B 72 X 2.5	
5	KT2418300086	1	BEARING BRACKET	
6	KT2419600061	1	PLATE	
7	KT2421200061	1	STOP	
8	KT2419300061	1	PATCH	
9	KT99158058	2	GLACIER BUSH PM 9095	
10	KT2417820094	1	SWINGING BAR	
11	KT2419400094	1	EYE BRACKET	
12	KT2453200094	1	GUARD	
13	KT2419800061	1	BRACKET FOR GUARD	
14	KT19139000	1	V-BELT PULLEY 4 SPB Ø160M	
15	KT99354026	1	PARALLEL KEY	
16	KT56454000	2	DISC	
17	KT55670000	2	WASHER (DISC)	
18	KG00476661	2	HEX. SCREW M12X35 8.8	
19	KG01309100	1	KEY 10X8X50	
20	KT19140100	1	V-BELT PULLEY 4 SPB Ø315M	
21	KT2424100061	1	BRACKET	
22	KT2453300094	1	GUARD	
23	KT5619200086	1	SPRING	
24	KT56191200	1	T-BOLT	
25	KT99202431	1	V-BELT SET (SET = 4 EA)	
26	KT2453000061	1	PAWL	
27	KT9062900061	1	DISC	
28	KT90757000	1	DECAL "VICON"	
29	KG01043761	1	HEX. NUT THIN M20 8	
30	KG01052561	1	HEX. NUT M20 8	



EXTRA 224 / SPRING, HYDRAULIC CYLINDER



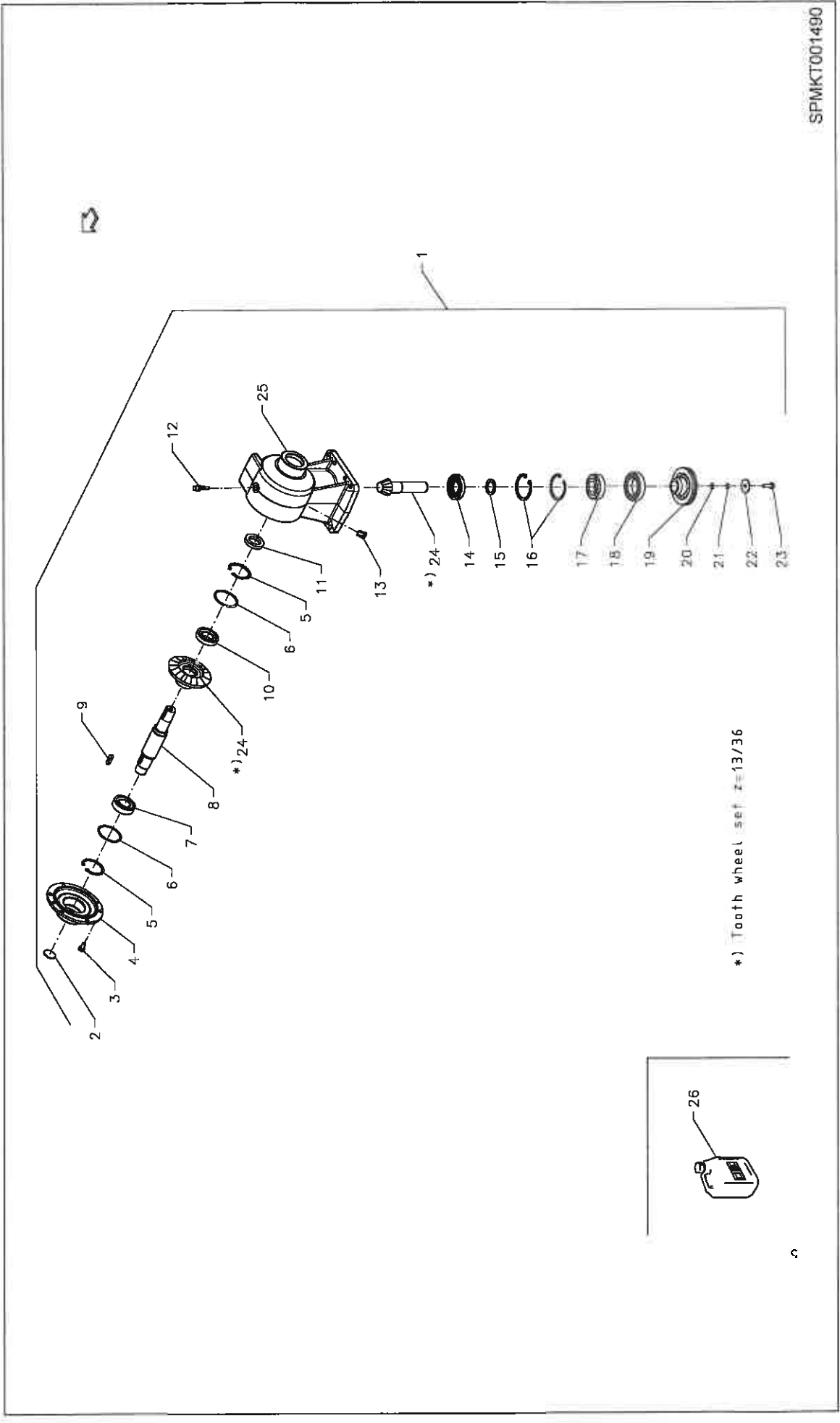
SPMKT002822



EXTRA 224 / SPRING, HYDRAULIC CYLINDER

PosNo.	Part No.	Qty.	Description	Remark
1	KT9079410086	1	HYDRAULIKCYLINDER 60X30	
2	KT99413201	1	GASKET SET F. CYLINDER	
3	KT2422300061	1	HOOP	
4	KT2422400061	2	COTTER BOLT	
5	KT2422220061	1	NUT M22	
6	KT2421800061	1	HINGE	
7	KT2420200061	1	LATCH	
8	KT24242100	1	NOZZLE Ø 2.0 MM	
9	KT99402929	1	ANGEL SCREW-JOINT 90	
10	KT5649800061	1	PRESSURE RING	
11	KT5618600061	1	TUBE HOLDER	
12	KT24260000	1	HYDRAULIC HOSE L=2740MM	
13	KT60245000	1	PROTECTION CAP BLUE	
14	KT60149000	1	QUICK COUPLING 1/2"	
15	KT2421610061	1	THREADED ROD	
16	KT24214000	1	PLASTIC WASHER	
17	KG01268061	1	WASHER M22	
18	KT2414910063	1	SPRING N=48 - Ø17MM	
19	KT52147000	1	COTTER BOLT	

EXTRA 224 / TRANSMISSION



SPMIKT001490



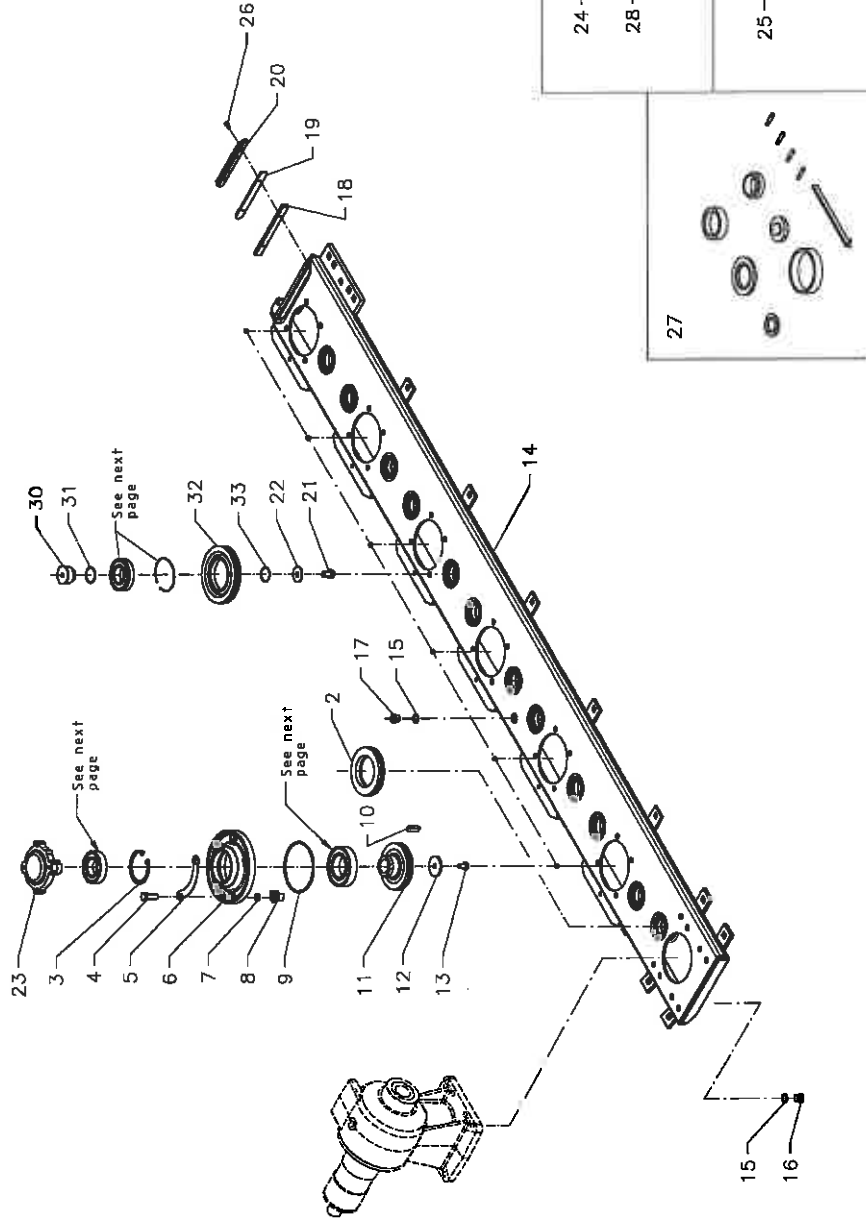
EXTRA 224 / TRANSMISSION

PosNo.	Part No.	Qty.	Description	Remark
1	KT24924000	1	BEVEL GEAR, COMPLETE	
2	KT99250592	1	COVER	
3	KG00474061	6	HEX. SCREW M10X20 8.8	
4	KT99251238	1	COVER	
5	KG01130500	2	CIRCLIP-B 72 X 2.5	
6	KT99250910	2	WASHER	
7	KT99106105	1	ROLLER BEARING 32207	
8	KT99251239	1	AXLE	
9	KT99354026	1	PARALLEL KEY	
10	KG01799100	1	TAPER ROLLER BEARING 30207	
11	KT99250987	1	SEAL RING	
12	KT99251148	1	AIRPLUG 3/8"	
13	KT99250982	2	OIL PLUG 3/8"	
14	KT99106225	1	ROLLER BEARING 30307	
15	KT99250946	1	WASHER Ø35,3-Ø48	
16	KG01130900	2	CIRCLIP-B 80 X 2.5	
17	KT99424074	1	OIL SEAL 35/80-10	
18	KG01360700	1	BALL BEARING 6011-2RS	
19	KT99251168	1	TOOTH WHEEL Z=31	
20	KT99251172	1	SHIM 10,2 X 17,8	
21	KT99251171	1	SHIM 10,2 X 17,8	
22	KT99251170	1	WASHER	
23	KG00474361	1	HEX. SCREW M10X30 8.8	
24	KT55677300	1	GEAR WHEEL SET Z=13/36	
25	KT99251237	1	GEAR BOX CASING	
26	KT10105000	1	OIL CAN 5 LTR.	

EXTRA 224 / CUTTERBAR, COMPLETE



Complete No. 1



SPMKT002315



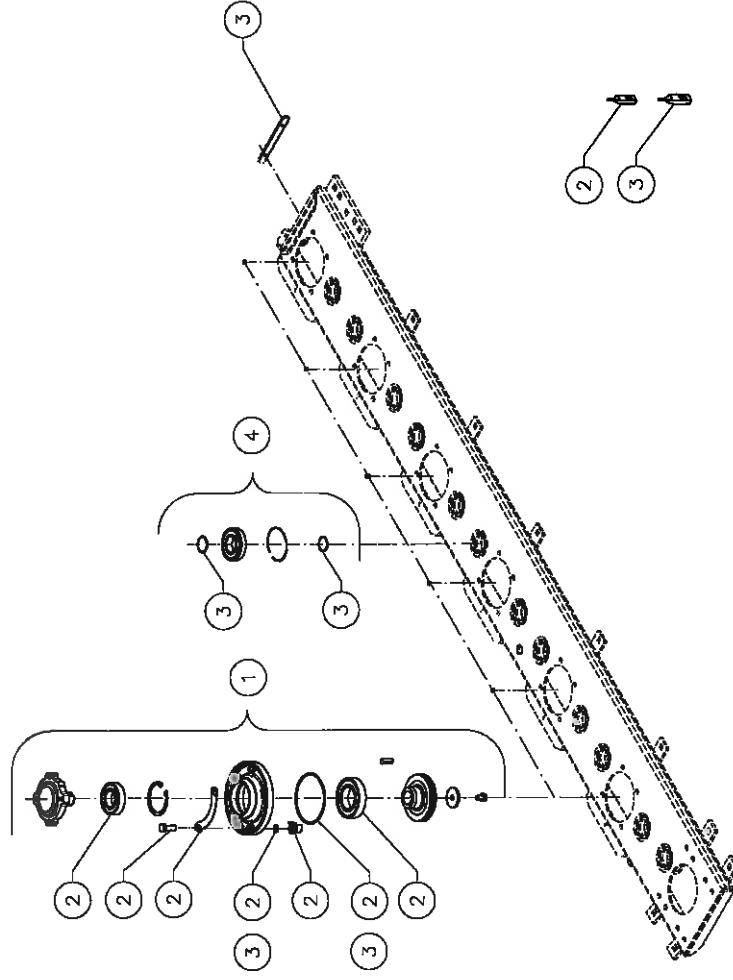
EXTRA 224 / CUTTERBAR, COMPLETE

PosNo.	Part No.	Qty.	Description	Remark
1	KT5532020086	1	6-DISC CUTTERBAR, COMPLETE	
2	KT55642100	1	GEAR WHEEL Z=32	
3	KG01130900	6	CIRCLIP-B 80 X 2.5	
4	KG01840800	24	HEX. SCREW M12X35 10.9 4017	
5	KT5572910061	12	LOCK PLATE	
6	KT55399000	6	CASING FOR 2 BEARINGS	
7	KT99420109	24	OIL SEAL Ø10,69X3,53	
8	KT55646100	24	NUT	
9	KT99420286	6	OIL SEAL Ø120,24X3,53	
10	KT99354026	6	PARALLEL KEY	
11	KT55640100	6	GEAR WHEEL Z=31	
12	KT55154000	6	WASHER 11/50-4	
13	KG00473961	6	HEX. SCREW M10X16 8.8	
14	KT5515900086	1	6-DISC CUTTERBAR	
15	KT99462718	2	DISC Ø16-Ø22X1	
16	KT99458109	1	TUBE PLUG M16X1,5	
17	KT99462633	1	PLUG M16X1,5	
18	KT55650000	1	LUG	
19	KT55651000	1	GASKET	
20	KT5564900061	1	COVER	
21	KG00476261	12	HEX. SCREW M12X20 8.8	
22	KT55670000	12	WASHER (DISC)	
23	KT55403000	6	HUB FOR CONE	
24	KT99457134	1	LOCTITE TUBE 3 G	
25	KT10105000	1	OIL CAN 5 LTR.	
26	KG00542161	2	CHEESE HEAD SCREW M5X16 8.8	
27	KT55695100	1	TOOL KIT FOR CUTTERBAR	
28	KT99457135	1	LOCTITE TUBE 10 G	
30	KT55644000	12	JOURNAL	
31	KT99420238	12	OIL SEAL Ø37,1 X 1,6	
32	KT55641100	11	GEAR WHEEL Z=39	
33	KT99420125	12	OIL SEAL Ø34,2X3	



EXTRA 224 / CUTTERBAR, SPARE PARTS SET

12



SPMKT002316

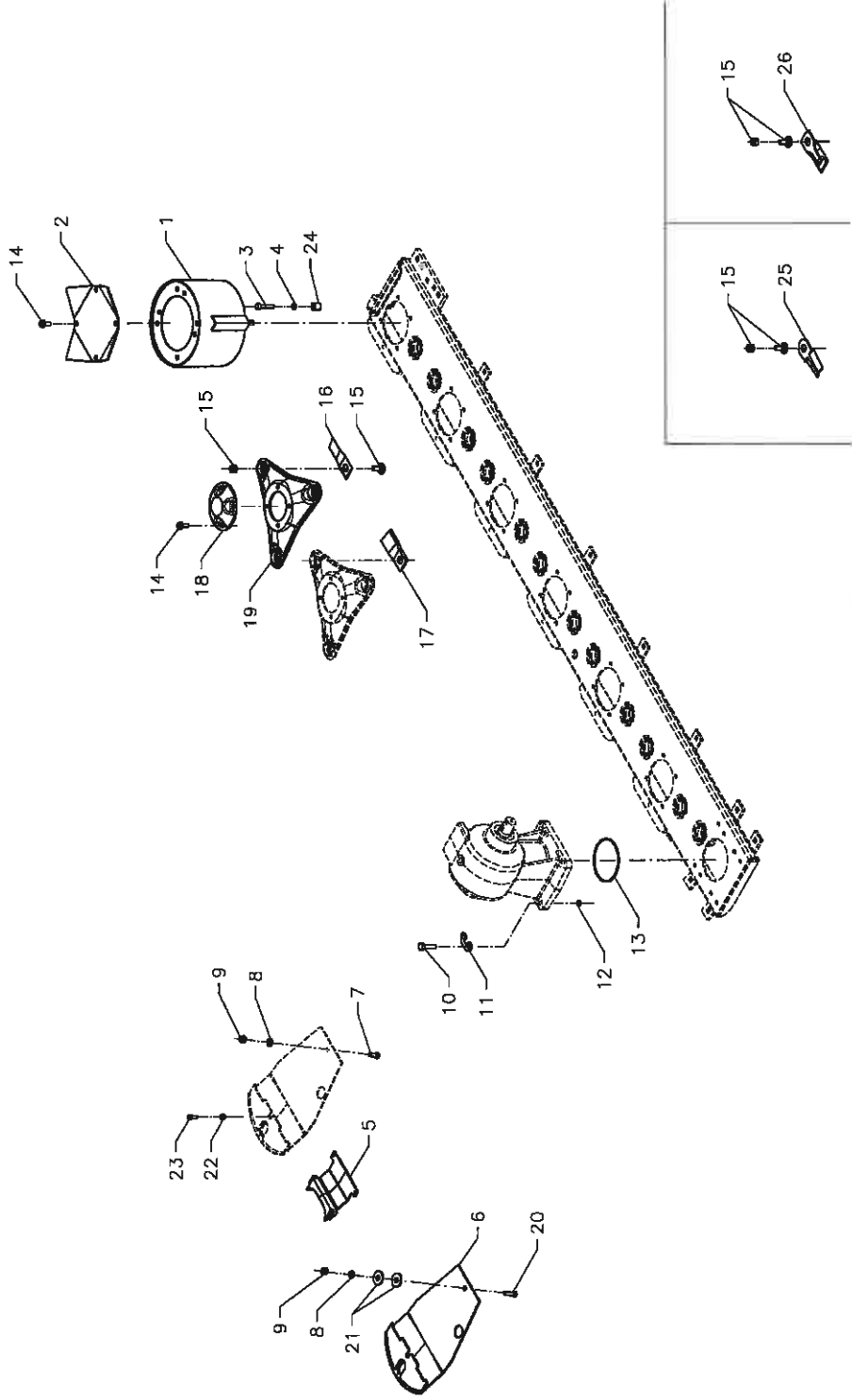


EXTRA 224 / CUTTERBAR, SPARE PARTS SET

PosNo.	Part No.	Qty.	Description	Remark
1	KT55245300	1	CASING (2 BEARINGS) FOR CONE, COMPLETE	
2	KT55994000	1	KIT OF 2 BEARINGS	
3	KT55710200	1	GASKET KIT	
4	KT55706100	1	SET OF BEARING	



EXTRA 224 / TRANSMISSION, CUTTERBAR



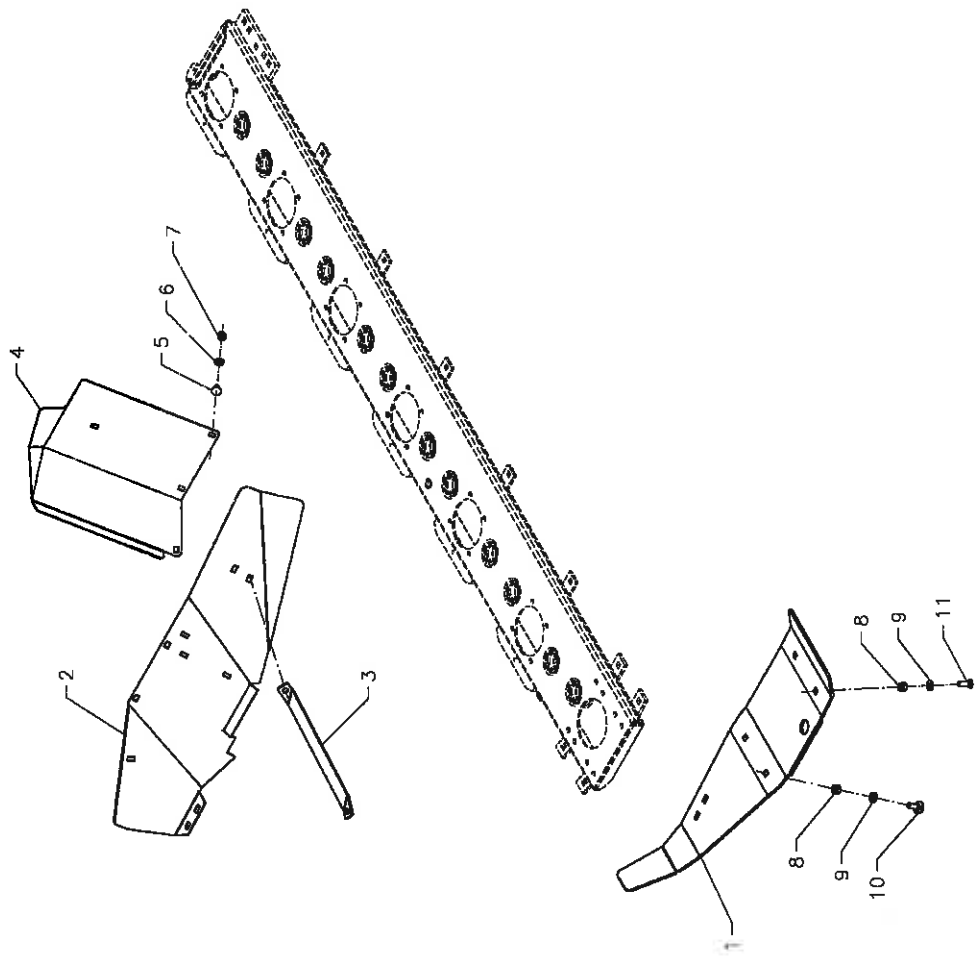
SPM/KT002823



EXTRA 224 / TRANSMISSION, CUTTERBAR

PosNo.	Part No.	Qty.	Description	Remark
1	KT5514810094	1	HIGH CONE AGGRESSIV, TRIANGULAR DISC	
2	KT5698900094	1	TOP PLATE	
3	KG01904300	4	CHEESE HEAD SCREW M10X50 12.9	
4	KT99333832	4	NORD-LOCK WASHER NL3/8" (10,3 X 16,6)	
5	KT5513910086	5	COUNTER KNIFE	
6	KT5512510086	6	WEARING SOLE	
7	KT45429000	5	PLOUGH BOLT M10-30	
8	KG01267461	6	WASHER M10	
9	KG01064161	6	LOCK NUT M10 8	
10	KT99328825	8	STEEL BOLT	
11	KT5568820061	4	LOCK PLATE	
12	KT99420109	8	OIL SEAL Ø10,69X3,53	
13	KT99420286	1	OIL SEAL Ø120,24X3,53	
14	KT99308826	24	STEEL BOLT (VERBUS RIBB BOLT) M10X20	
15	KT56785000	1	KNIFE BOLT KIT CPL. (25 PCS.)	
16	KT5611090001	9	KNIFE, LH (126MM)	
17	KT5611040001	9	KNIFE, RH (126MM)	
18	KT5513700086	5	COVER	
19	KT5513600094	6	CUTTING DISC	
20	KT56149000	1	PLOUGH BOLT M10-40	
21	KT5627100061	2	WASHER Ø13-Ø40X4	
22	KG01067561	6	LOCK NUT M8 8	
23	KG00545061	6	CHEESE HEAD SCREW M8X20 8.8	
24	KT5539800061	4	BUSHING	
25	KT5611030001	18	KNIFE (128MM)	
26	KT5611050001	18	KNIFE (131MM)	

EXTRA 224 / SWATH BOARDS



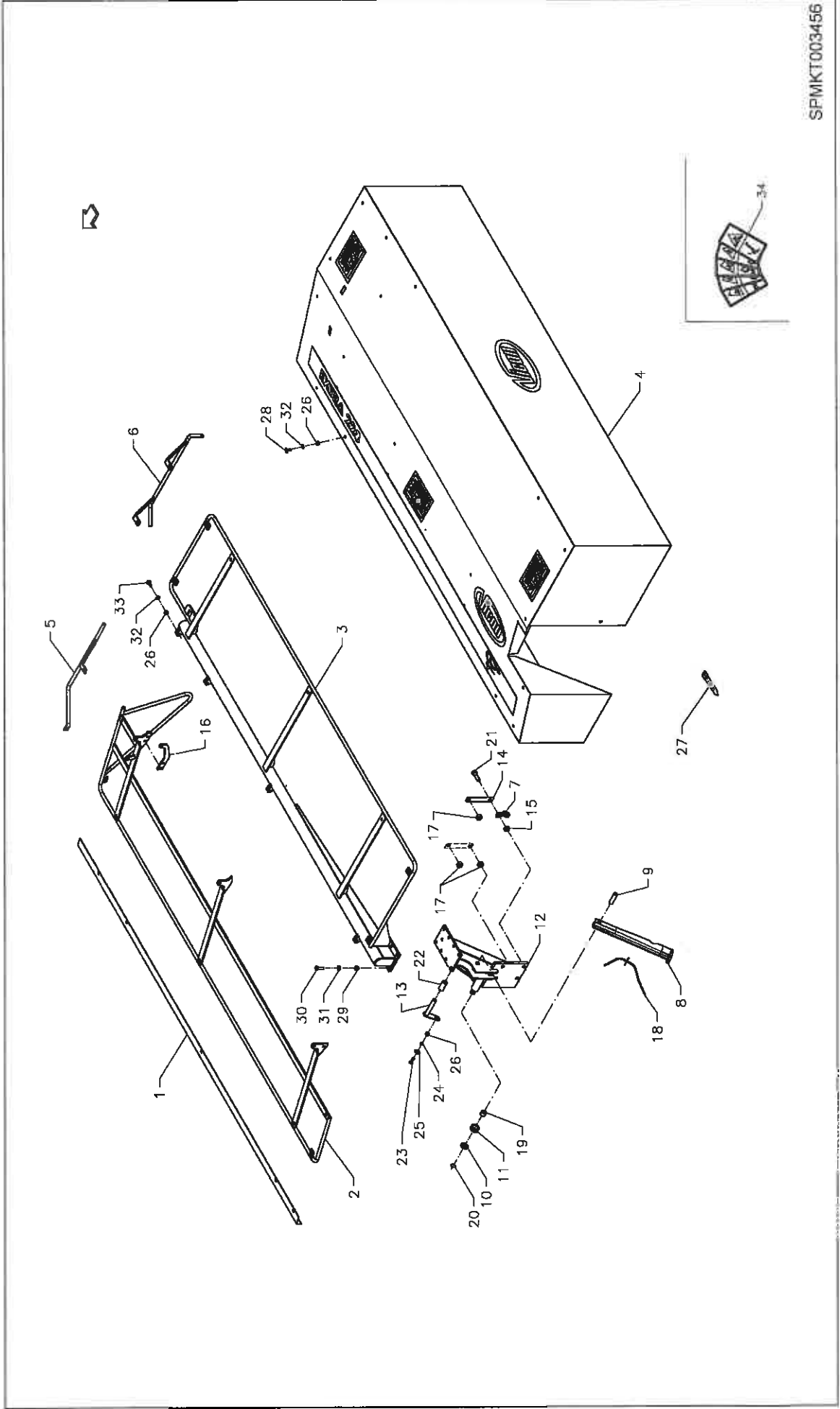
SFMIKT003463



EXTRA 224 / SWATH BOARDS

PosNo.	Part No.	Qty.	Description	Remark
1	KT2434800086	1	SKID	
2	KT5687430086	1	GUARD	
3	KT5689300086	1	SUPPORT	
4	KT2423510086	1	GUARD	
5	KT45432000	3	CARRIAGE BOLT M10-20	
6	KG01267461	3	WASHER M10	
7	KG01064161	3	LOCK NUT M10 8	
8	KG01064261	4	LOCK NUT M12 8	
9	KG01267561	4	WASHER M12	
10	KG00644961	2	CARRIAGE BOLT M12X35 8.8	
11	KT45431000	2	PLOUGH BOLT M12-35	

EXTRA 224 / TARPAULIN



SPIWKT003456

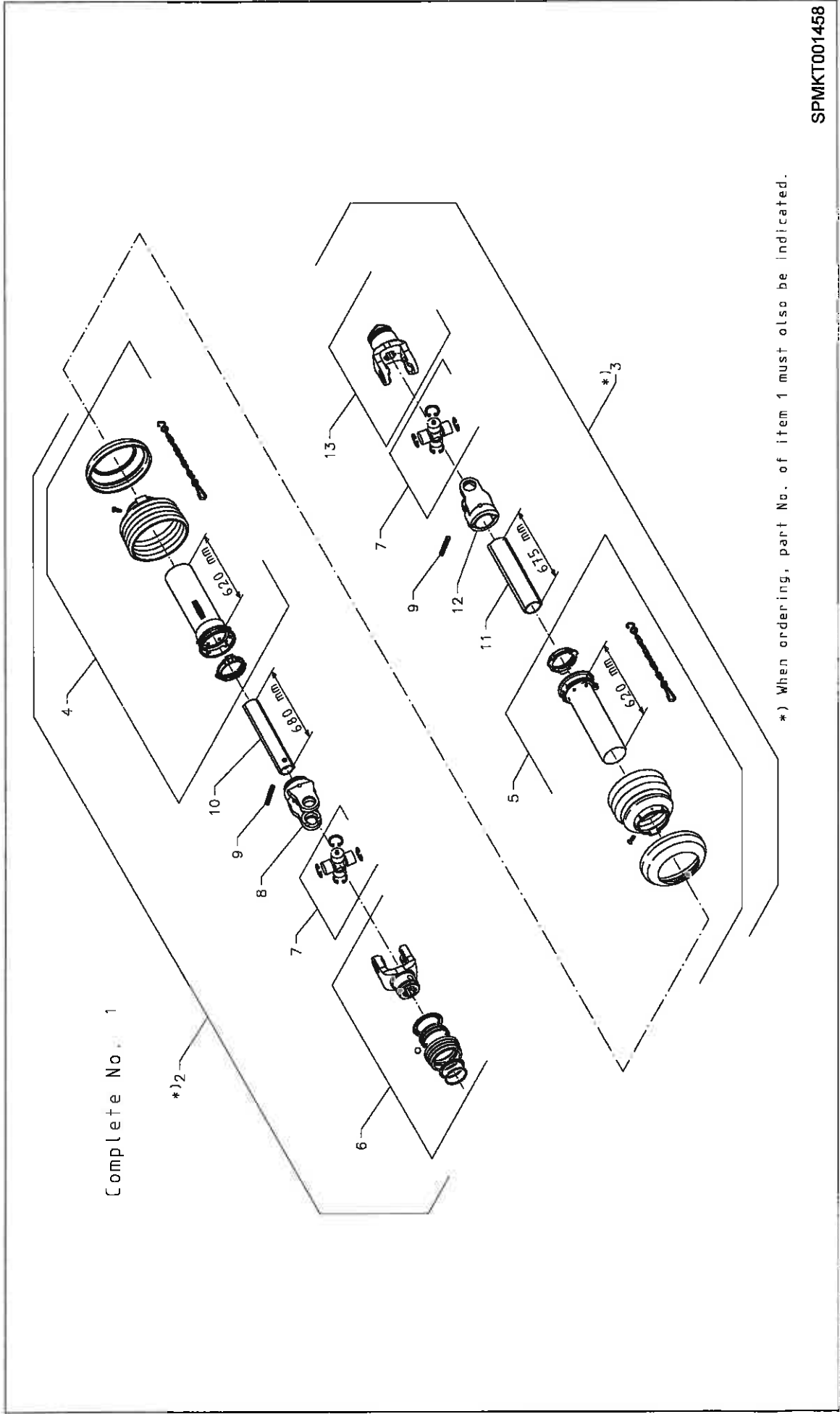


EXTRA 224 / TARPAULIN

PosNo.	Part No.	Qty.	Description	Remark
1	KT2423100094	1	SKIRT ANGLE 2,4M	
2	KT2418510086	1	FRONT FRAME 2,4M	
3	KT2418910086	1	REAR FRAME 2,4M	
4	KT24600000	1	TARPAULIN EXTRA 224	
5	KT2420610094	1	PIPE STRAP	
6	KT2425100094	1	PIPE STRAP	
7	KT2421000061	1	BRACKET	
8	KT2419500086	1	BAR	
9	KT8536800061	1	PIN	
10	KT69676100	1	WASHER	
11	KT6244500061	1	BEARING	
12	KT2419210086	1	SHANK	
13	KT2452600061	1	EYE BOLT	
14	KT2422000061	1	LOCK PLATE	
15	KT2420800061	1	BUSHING	
16	KT2425000061	1	LOCK FITTING	
17	KT2420900061	2	BUSHING	
18	KT48953000	1	LINE	
19	KT99158065	1	GLACIER BUSHING PM 2520 DX	
20	KT99350215	1	SEEGERING RW 24-2	
21	KG00362061	4	HEX. BOLT M16X55 8.8	
22	KT2452700061	1	BUSHING	
23	KG00474361	1	HEX. SCREW M10X30 8.8	
24	KT3130700061	1	RING	
25	KG01260361	1	WASHER M10X30 ST	
26	KG01064161	24	LOCK NUT M10 8	
27	KT99352801	23	BELT FOR TARPAULIN	
28	KG00669461	13	CARRIAGE BOLT M10X25 4.6	
29	KG01064261	8	LOCK NUT M12 8	
30	KG00476761	8	HEX. SCREW M12X40 8.8	
31	KG01267561	8	WASHER M12	
32	KG01267461	4	WASHER M10	
33	KG00667061	4	CARRIAGE BOLT M10X30 4.6	
34	KT24341000	1	DECAL SET	



EXTRA 224 / PTO SHAFT



SPMKT001458

Page number: 10

KT451138 < Mach. ID <=

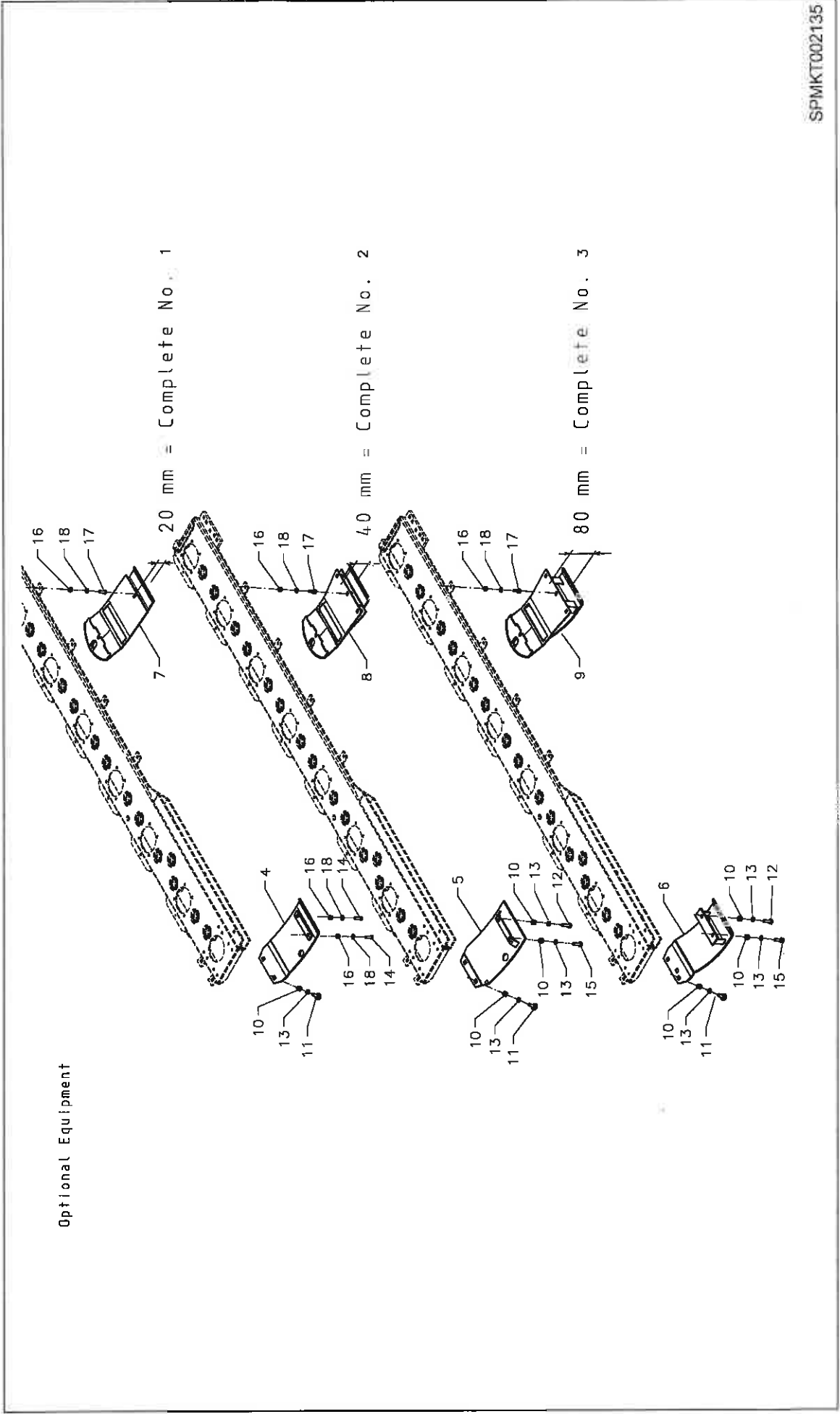
© Kverneland Group



EXTRA 224 / PTO SHAFT

PosNo.	Part No.	Qty.	Description	Remark
1	KT99244330	1	PTO SHAFT W2300 SD15SW 810 F5/1R	Walterscheid No. 149884
2	KT99244582	1	PTO SHAFT INNER HALF, COMPLETE	
3	KT99244583	1	PTO SHAFT OUTER HALF, COMPLETE	
4	KT99244584	1	OUTER PROTECTION TUBE, COMPLETE	Walterscheid No. 116169
5	KT99244585	1	INNER PROTECTION TUBE, COMPLETE	Walterscheid No. 116170
6	KT99244586	1	YOKE, COMPLETE	Walterscheid No. 133834
7	KT99244588	2	CROSS, COMPLETE	Walterscheid No. 116403
8	KT99235524	1	YOKE	Walterscheid No. 041315
9	KT99330583	2	PIPE PIN Ø10-65	Walterscheid No. 020614
10	KT99244589	1	INNER PROFILE TUBE	Walterscheid No. 135936
11	KT99244591	1	OUTER PROFILE TUBE	Walterscheid No. 136155
12	KT99244592	1	YOKE	Walterscheid No. 041318
13	KT99244587	1	OVERRUN CLUTCH	Walterscheid No. 172630

EXTRA 224 / OPTIONAL EQUIPMENT





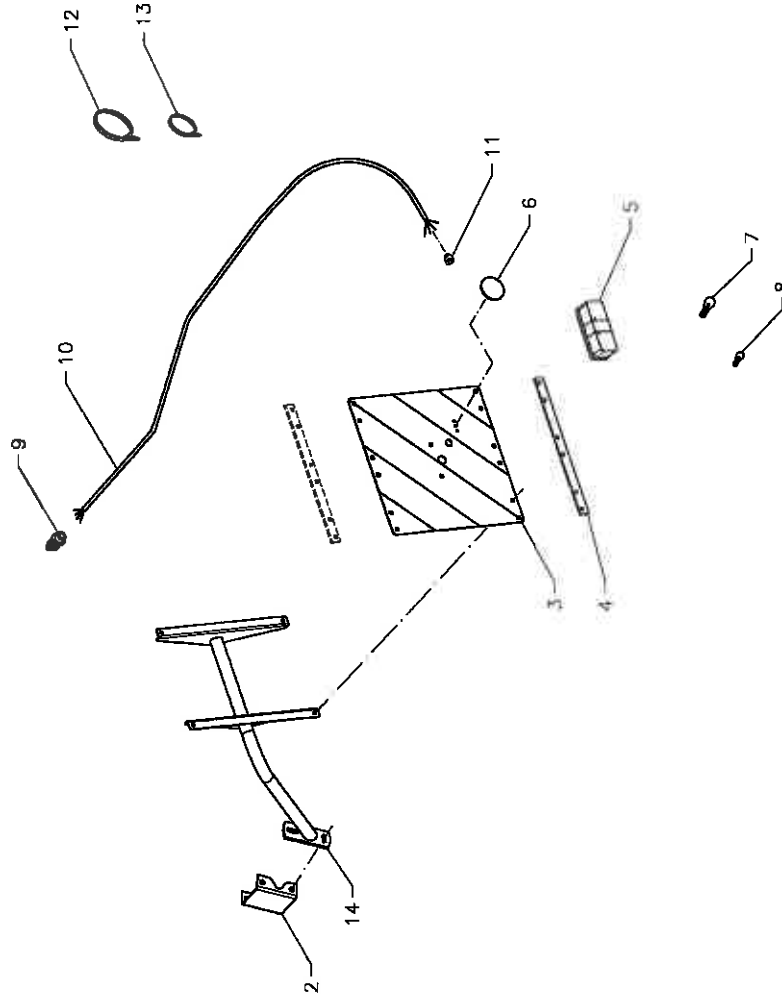
EXTRA 224 / OPTIONAL EQUIPMENT

PosNo.	Part No.	Qty.	Description	Remark
1	ACCESSOIRE	1	PLEASE CONTACT YOUR DEALER	
2	ACCESSOIRE	1	PLEASE CONTACT YOUR DEALER	
3	ACCESSOIRE	1	PLEASE CONTACT YOUR DEALER	
4	KT2434200086	1	HIGH LIFT SKID, LH, 20MM	
5	KT5657630086	1	HIGH LIFT SKID, LH, 40MM	
6	KT2428400086	1	HIGH LIFT SKID, LH, 80 MM	
7	KT5535000086	1	HIGH LIFT SKID 20MM	
8	KT5524000086	1	HIGH LIFT SKID 40 MM	
9	KT5515300086	1	HIGH LIFT SKID 80 MM	
10	KG01064261	2	LOCK NUT M12 8	
11	KG00645061	2	CARRIAGE BOLT M12X40 8.8 VZ. DIN603	
12	KG00476761	1	HEX. SCREW M12X40 8.8	
13	KG01267561	2	WASHER M12	
14	KT33501000	2	PLOUGHBOLT	
15	KG00476861	1	HEX. SCREW M12X45 8.8	
16	KG01064161	3	LOCK NUT M10 8	
17	KG00474361	1	HEX. SCREW M10X30 8.8	
18	KG01267461	3	WASHER M10	

EXTRA 224 / OPTIONAL EQUIPMENT



Complete No. 1



SPMKT000727



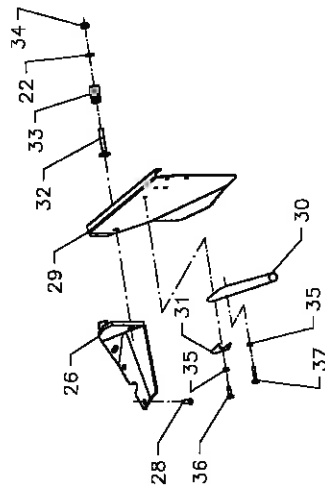
EXTRA 224 / OPTIONAL EQUIPMENT

PosNo.	Part No.	Qty.	Description	Remark
1	ACCESSOIRE	1	PLEASE CONTACT YOUR DEALER	
2	KT2419810061	1	BRACKET	
3	KT67420000	1	WARNING SIGN	
4	KT6742100061	2	RAIL	
5	KT99474335	1	REAR LIGHT	
6	KT99458346	1	REFLEX	
7	KT99477138	2	LIGHTING BULB 12V 21W	
8	KT99477137	1	LIGHTING BULB 12 10W	
9	KT99478196	1	7 PIN PLUG	
10	KT56678000	1	CABLE L=7000MM	
11	KT99478237	1	LEAD IN	
12	KT99478390	3	LE GRAND CABLE TIE 31916	
13	KT99478389	5	CABLE TIE	
14	KT2427300086	1	HOOP	

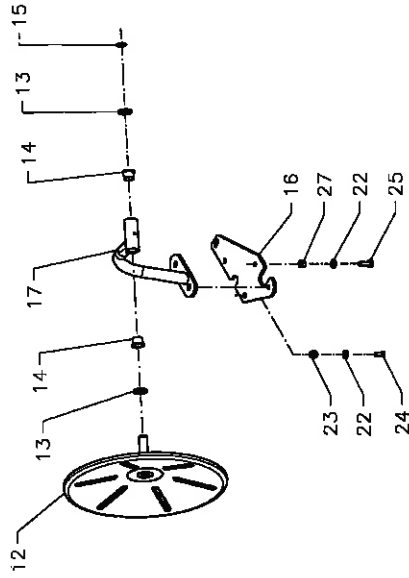
EXTRA 224 / OPTIONAL EQUIPMENT



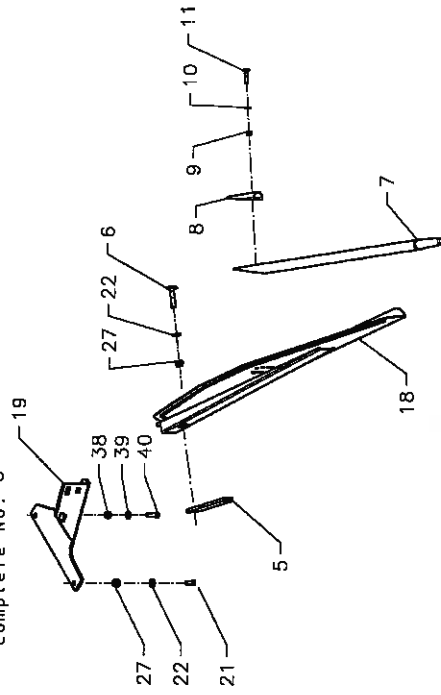
Complete No. 1



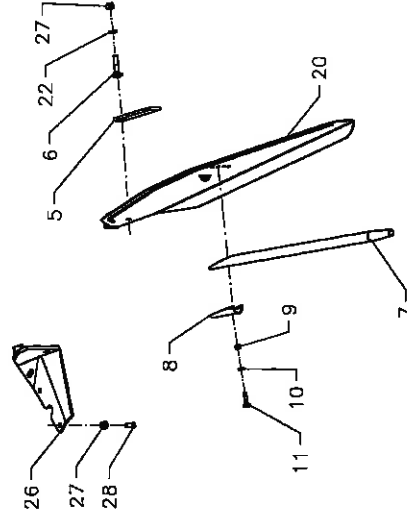
Complete No. 2



Complete No. 3



Complete No. 4



SPMKT001238



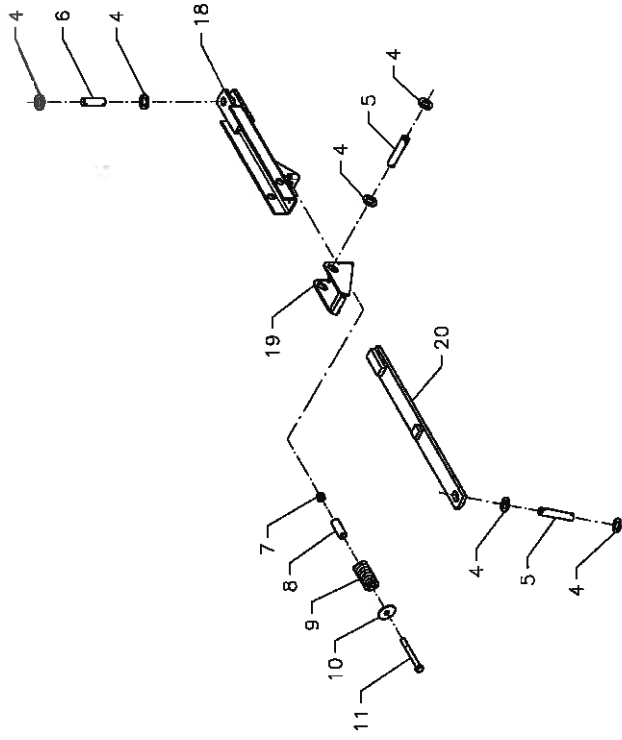
EXTRA 224 / OPTIONAL EQUIPMENT

PosNo.	Part No.	Qty.	Description	Remark
1	ACCESSOIRE	1	PLEASE CONTACT YOUR DEALER	
2	ACCESSOIRE	1	PLEASE CONTACT YOUR DEALER	
3	ACCESSOIRE	1	PLEASE CONTACT YOUR DEALER	
4	ACCESSOIRE	1	PLEASE CONTACT YOUR DEALER	
5	KT5644200061	1	LEAF SPRING	
6	KG00668761	1	CARRIAGE BOLT M12X60 4.6	
7	KT56188000	1	GRASS STICK	
8	KT5618710061	1	BRACKET	
9	KG01064061	1	LOCK NUT M8 8	
10	KG01267361	1	WASHER M8	
11	KG00667661	1	CARRIAGE BOLT M8X40 4.6	
12	KT1946000086	1	SWATH ROLLER Ø500MM	
13	KT4540500061	2	WASHER	
14	KT99155025	2	NYLON BUSHING	
15	KG01108362	1	CIRCLIP-A 25 X 1.2	
16	KT2433400086	1	PLATE	
17	KT5684010086	1	BRACKET FOR SWATH DISC	
18	KT5650110086	1	SWATH BOARD, LH	
19	KT2428300086	1	BRACKET, LH	
20	KT5618530086	1	SWATH BOARD, RH	
21	KT4539500061	1	PLOUGH BOLT M12-45	
22	KG01267561	2	WASHER M12	
23	KG01073361	2	LOCK NUT M12 10	
24	KT4543100061	2	PLOUGH BOLT M12X35	
25	KG00476661	2	HEX. SCREW M12X35 8.8	
26	KT2428200086	1	BRACKET, RH	
27	KG01064261	2	LOCK NUT M12 8	
28	KT4543100061	2	PLOUGH BOLT M12X35	
29	VN98613805	1	SWATHBOARD	
30	VN90081166	1	SWATH STICK	
31	VNB4499461	1	CAP	
32	KG00668961	1	CARRIAGE BOLT M12X80 4.6	
33	VN90130051	1	SPRING	
34	KG01068961	3	LOCK NUT M12 10	
35	KG01051961	2	HEX. NUT M8 8	
36	KG00667561	1	CARRIAGE BOLT M8X35 4.6	
37	VN30263845	1	CARRIAGE BOLT M8X45/4.6 GALV.	
38	KG01064161	1	LOCK NUT M10 8	
39	KG01267461	1	WASHER M10	
40	KT56149000	1	PLOUGH BOLT M10-40	

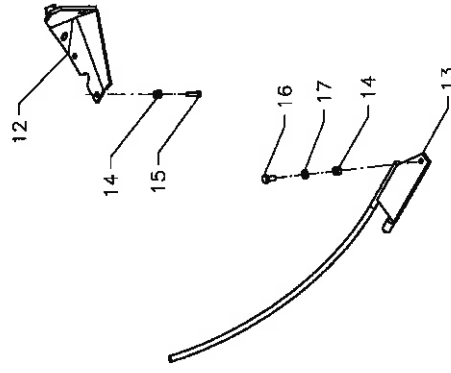
EXTRA 224 / OPTIONAL EQUIPMENT



Complete No. 1



Complete No. 2



8 spline



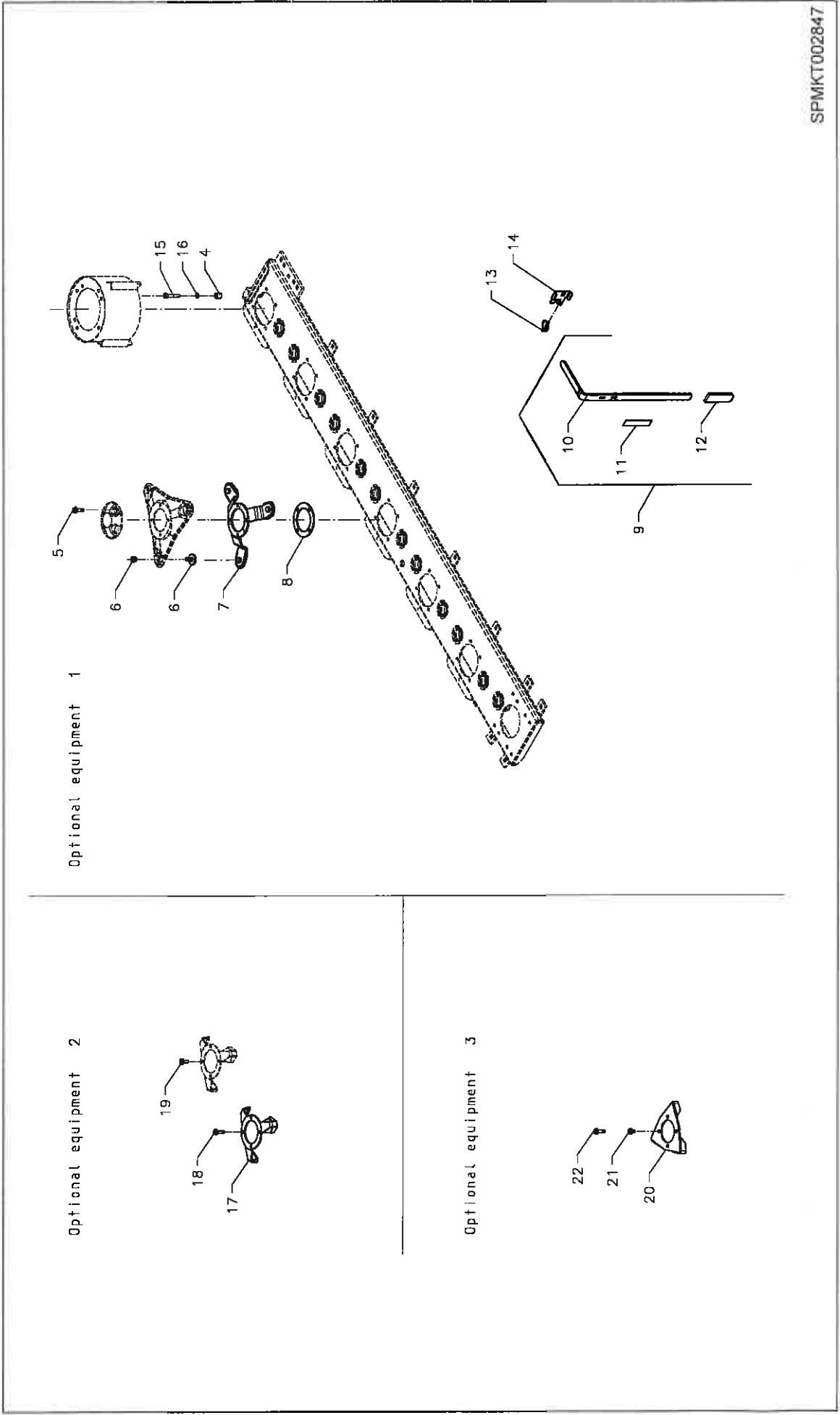
SPMKT002406



EXTRA 224 / OPTIONAL EQUIPMENT

PosNo.	Part No.	Qty.	Description	Remark
1	ACCESSOIRE	1	PLEASE CONTACT YOUR DEALER	
2	ACCESSOIRE	1	PLEASE CONTACT YOUR DEALER	
3	VG21.83.34	1	SLIPCLUTCH ASGE2300- 8 X 32 X 38	
4	KG01267961	6	WASHER M20	
5	KT1922100061	2	COTTER BOLT	
6	KT8536800061	1	PIN	
7	KG01064261	1	LOCK NUT M12 8	
8	KT1922200061	1	BUSHING	
9	KT2414300061	1	SPRING	
10	KT6616300061	1	WASHER	
11	KG00358461	1	HEX. BOLT M12X110 8.8	
12	KT2428200086	1	BRACKET, RH	
13	KT5685610086	1	STRAW DIVIDER	
14	KG01064261	3	LOCK NUT M12 8	
15	KT4543100061	2	PLOUGH BOLT M12X35	
16	KG00476561	1	HEX. SCREW M12X30 8.8	
17	KT99333015	1	WASHER (DISC)	
18	KT1921810086	1	GUIDE	
19	KT1921900086	1	LATCH	
20	KT1922010086	1	PULL ROD	

EXTRA 224 / OPTIONAL EQUIPMENT



SPMKT002847



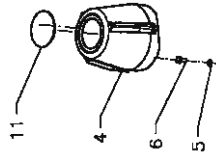
EXTRA 224 / OPTIONAL EQUIPMENT

PosNo.	Part No.	Qty.	Description	Remark
1	ACCESSOIRE	1	PLEASE CONTACT YOUR DEALER	
2	ACCESSOIRE	1	PLEASE CONTACT YOUR DEALER	
3	ACCESSOIRE	1	PLEASE CONTACT YOUR DEALER	
4	KT5539800061	8	BUSHING	
5	KT99308832	24	STEEL BOLT M10X35 10.9(VERBUS RIBB BOLT)	
6	KT56998000	1	KIT OF KNIFE BOLT (25 PCS.)	
7	KT5518500086	6	SPRING, COMPLETE	
8	KT5526900061	6	WASHER 4MM (EXPRESS)	
9	KT55177000	1	TOOL COMPLETE	
10	KT5517400061	1	TOOL	
11	KT55769000	1	DECAL	
12	KT38218000	1	PLASTIC HANDLE	
13	KT99331901	1	LINCH PIN Ø 6	
14	KT5577300061	1	PARKING BRACKET	
15	KG01904500	8	CHEESE HEAD SCREW M10X60 12.9	
16	KT99333832	8	NORD-LOCK WASHER NL3/8" (10,3 X 16,6)	
17	KT2443200086	6	STOP FOR KNIFE	
18	KT99308830	8	STEEL BOLT	
19	KT99308826	20	STEEL BOLT (VERBUS RIBB BOLT) M10X20	
20	KT2441300086	6	CONE, LOW	
21	KT99308828	24	STEEL BOLT M10X25 10.9	
22	KT99308830	24	STEEL BOLT	

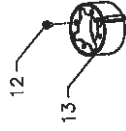
EXTRA 224 / OPTIONAL EQUIPMENT



Complete No. 1



Complete No. 3



Complete No. 2



SPMKT003454



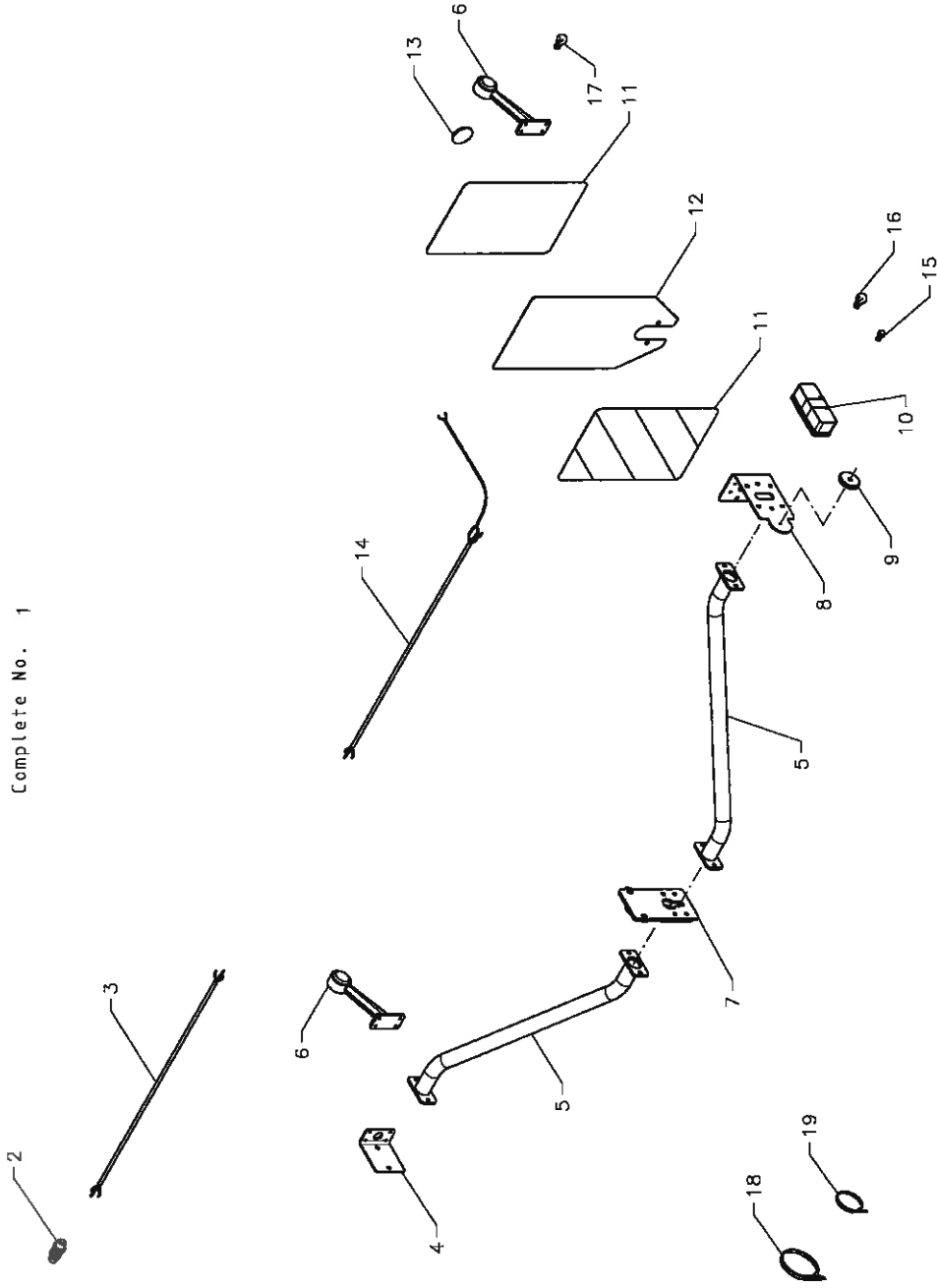
EXTRA 224 / OPTIONAL EQUIPMENT

PosNo.	Part No.	Qty.	Description	Remark
1	ACCESSOIRE	1	PLEASE CONTACT YOUR DEALER	
2	ACCESSOIRE	1	PLEASE CONTACT YOUR DEALER	
3	ACCESSOIRE	1	PLEASE CONTACT YOUR DEALER	
4	KT2441000086	1	CONE, TRIANGULAR DISC	
5	KT99333832	4	NORD-LOCK WASHER NL3/8" (10,3 X 16,6)	
6	KT99322670	4	STEELSET SCREW M10X25 12.9	
7	KT42176000	1	LINCH PIN Ø10MM	
8	KT6755820061	1	CHAIN	
9	KT9089800061	1	BRACKET	
10	KT99452075	1	SHACKLE 3/4"	
11	VN99770348	1	CAP	
12	KG00981861	8	FLANGED BOLT M10X20 90	
13	KT9273500086	2	FLOW DRUM 80MM	

EXTRA 224 / OPTIONAL EQUIPMENT



Complete No. 1



SPMIKT001242



EXTRA 224 / OPTIONAL EQUIPMENT

PosNo.	Part No.	Qty.	Description	Remark
1	ACCESSOIRE	1	PLEASE CONTACT YOUR DEALER	
2	KT99478196	1	7 PIN PLUG	
3	KT191168100	1	CABLE L=4500MM	
4	KT2435200086	1	BRACKET FOR SIDELIGHT	
5	KT2435500086	2	BOOM FOR LIGHT	
6	KT99474348	2	SIDE LIGHT RED/WHITE	
7	KT2435800086	1	BRACKET FOR BOOM	
8	KT2435100086	1	BRACKET FOR REAR LIGHT	
9	VF16623510	1	REFLECTOR, ROUND, RED ADHESIVE D60	
10	KT99474335	1	REAR LIGHT	
11	KT99458383	2	RED/WHITE FOIL 423X282 RIGHT HAND	
12	KT2435400086	1	PLATE FOR WARNING FOIL	
13	VF06214037	2	REFLEX, CIRCULAR YELLOW, ADHESIVE D60	
14	KT91937000	1	CABLE L=4500MM	
15	KT99477137	1	LIGHTING BULB 12 10W	
16	KT99477138	2	LIGHTING BULB 12V 21W	
17	KT99477133	2	LIGHTING BULB 12V 5W	
18	KT99478390	9	LE GRAND CABLE TIE 31916	
19	KT99478389	4	CABLE TIE	



EXTRA 224 / Part No Index

Part No.	Page	Pos No	Part No.	Page	Pos No	Part No.	Page	Pos No	Part No.	Page	Pos No
A132311086	1	14	KG00476861	11	15	KG01130500	4	5	KT1940800061	1	4
A132311186	1	13	KG00542161	5	26	KG01130900	4	16	KT1946000086	13	12
ACCESSOIRE	11	1	KG00545061	7	23	KG01130900	5	3	KT2414300061	14	9
ACCESSOIRE	11	2	KG00644961	8	10	KG01260361	9	25	KT2414910063	3	18
ACCESSOIRE	11	3	KG00645061	11	11	KG01267361	13	10	KT2417620094	1	1
ACCESSOIRE	12	1	KG00667061	9	33	KG01267461	7	8	KT2417820094	2	10
ACCESSOIRE	13	1	KG00667561	13	36	KG01267461	8	6	KT2417900061	1	7
ACCESSOIRE	13	2	KG00667661	13	11	KG01267461	9	32	KT2418000061	1	8
ACCESSOIRE	13	3	KG00668761	13	6	KG01267461	11	18	KT2418200061	1	3
ACCESSOIRE	13	4	KG00668961	13	32	KG01267461	13	39	KT2418300086	2	5
ACCESSOIRE	14	1	KG00669461	9	28	KG01267561	8	9	KT2418510086	9	2
ACCESSOIRE	14	2	KG00981861	16	12	KG01267561	9	31	KT2418910086	9	3
ACCESSOIRE	15	1	KG01043761	2	29	KG01267561	11	13	KT2419210086	9	12
ACCESSOIRE	15	2	KG01051961	13	35	KG01267561	13	22	KT2419300061	2	8
ACCESSOIRE	15	3	KG01052561	2	30	KG01267761	1	17	KT2419400094	2	11
ACCESSOIRE	16	1	KG01064061	13	9	KG01267961	14	4	KT2419500086	9	8
ACCESSOIRE	16	2	KG01064161	7	9	KG01268061	3	17	KT2419600061	2	6
ACCESSOIRE	16	3	KG01064161	8	7	KG01309100	2	19	KT2419800061	2	13
ACCESSOIRE	17	1	KG01064161	9	26	KG01360700	4	18	KT2419810061	12	2
KG00358461	14	11	KG01064161	11	16	KG01381100	2	3	KT2420010086	1	10
KG00362061	9	21	KG01064161	13	38	KG01799100	4	10	KT2420200061	3	7
KG00362961	1	15	KG01064261	8	8	KG01840800	5	4	KT2420610094	9	5
KG00473961	5	13	KG01064261	9	29	KG01904300	7	3	KT2420700061	1	5
KG00474061	4	3	KG01064261	11	10	KG01904500	15	15	KT2420800061	9	15
KG00474361	4	23	KG01064261	13	27	KT10105000	4	26	KT2420900061	9	17
KG00474361	9	23	KG01064261	14	14	KT10105000	5	25	KT2421000061	9	7
KG00474361	11	17	KG01064261	14	7	KT19139000	2	14	KT2421200061	2	7
KG00476261	5	21	KG01064461	1	16	KT19140100	2	20	KT24214000	3	16
KG00476561	14	16	KG01067561	7	22	KT1921810086	14	18	KT2421610061	3	15
KG00476661	2	18	KG01068961	13	34	KT1921900086	14	19	KT2421800061	3	6
KG00476661	13	25	KG01073361	13	23	KT1922010086	14	20	KT2422000061	9	14
KG00476761	9	30	KG01108362	13	15	KT1922100061	14	5	KT2422200061	3	5
KG00476761	11	12	KG01130500	2	4	KT1922200061	14	8	KT2422300061	3	3

EXTRA 224 / Part No Index



Part No.	Page	Pos No	Part No.	Page	Pos No	Part No.	Page	Pos No	Part No.	Page	Pos No
KT2422400061	3	4	KT24924000	4	1	KT5539800061	7	24	KT56191200	2	24
KT24225000	2	2	KT3130700061	9	24	KT5539800061	15	4	KT5619200086	2	23
KT2423100094	9	1	KT33501000	11	14	KT55399000	5	6	KT5627100061	7	21
KT2423510086	8	4	KT38218000	15	12	KT55403000	5	23	KT5644200061	13	5
KT2424100061	2	21	KT42176000	1	12	KT55640100	5	11	KT56454000	2	16
KT24242100	3	8	KT42176000	16	7	KT55641100	5	32	KT5649800061	3	10
KT2424310061	1	2	KT4539500061	13	21	KT55642100	5	2	KT5650110086	13	18
KT2425000061	9	16	KT4540500061	13	13	KT55644000	5	30	KT5657630086	11	5
KT2425100094	9	6	KT45429000	7	7	KT55646100	5	8	KT56678000	12	10
KT24260000	3	12	KT45431000	8	11	KT5564900061	5	20	KT56785000	7	15
KT2427300086	12	14	KT4543100061	13	24	KT55650000	5	18	KT5684010086	13	17
KT2428200086	13	26	KT4543100061	13	28	KT55651000	5	19	KT5685610086	14	13
KT2428200086	14	12	KT4543100061	14	15	KT55670000	2	17	KT5687430086	8	2
KT2428300086	13	19	KT45432000	8	5	KT55670000	5	22	KT5689300086	8	3
KT2428400086	11	6	KT4736400061	1	6	KT55677300	4	24	KT5698900094	7	2
KT2433400086	13	16	KT48953000	9	18	KT5568820061	7	11	KT56998000	15	6
KT24341000	9	34	KT52147000	3	19	KT55695100	5	27	KT60149000	3	14
KT2434200086	11	4	KT5512510086	7	6	KT55706100	6	4	KT60245000	3	13
KT2434800086	8	1	KT5513600094	7	19	KT55710200	6	3	KT6244500061	9	11
KT2435100086	17	8	KT5513700086	7	18	KT5572910061	5	5	KT6616300061	14	10
KT2435200086	17	4	KT5513910086	7	5	KT55769000	15	11	KT67420000	12	3
KT2435400086	17	12	KT5514810094	7	1	KT5577300061	15	14	KT6742100061	12	4
KT2435500086	17	5	KT5515300086	11	9	KT55994000	6	2	KT6755820061	16	8
KT2435800086	17	7	KT55154000	5	12	KT5611030001	7	25	KT69676100	9	10
KT2441000086	16	4	KT5515900086	5	14	KT5611040001	7	17	KT8536800061	9	9
KT2441300086	15	20	KT5517400061	15	10	KT5611050001	7	26	KT8536800061	14	6
KT2443200086	15	17	KT55177000	15	9	KT5611090001	7	16	KT9062900061	2	27
KT2452600061	9	13	KT5518500086	15	7	KT56149000	7	20	KT90757000	2	28
KT2452700061	9	22	KT5524000086	11	8	KT56149000	13	40	KT9079410086	3	1
KT2453000061	2	26	KT55245300	6	1	KT5618530086	13	20	KT9089800061	16	9
KT2453200094	2	12	KT5526900061	15	8	KT5618600061	3	11	KT91168100	17	3
KT2453300094	2	22	KT5532020086	5	1	KT5618710061	13	8	KT91937000	17	14
KT24600000	9	4	KT5535000086	11	7	KT56188000	13	7	KT9273500086	16	13



EXTRA 224 / Part No Index

Part No.	Page	Pos No	Part No.	Page	Pos No	Part No.	Page	Pos No
KT99106105	4	7	KT99308826	15	19	KT99462633	5	17
KT99106225	4	14	KT99308828	15	21	KT99462718	5	15
KT99155025	13	14	KT99308830	15	18	KT99474335	12	5
KT99158058	2	9	KT99308830	15	22	KT99474335	17	10
KT99158065	9	19	KT99308832	15	5	KT99474348	17	6
KT99202431	2	25	KT99322670	16	6	KT99477133	17	17
KT99235524	10	8	KT99328825	7	10	KT99477137	12	8
KT99244330	10	1	KT99330583	10	9	KT99477137	17	15
KT99244506	2	1	KT99331901	15	13	KT99477138	12	7
KT99244582	10	2	KT99333015	14	17	KT99477138	17	16
KT99244583	10	3	KT99333832	7	4	KT99478196	12	9
KT99244584	10	4	KT99333832	15	16	KT99478196	17	2
KT99244585	10	5	KT99333832	16	5	KT99478237	12	11
KT99244586	10	6	KT99350215	9	20	KT99478389	12	13
KT99244587	10	13	KT99352801	9	27	KT99478389	17	19
KT99244588	10	7	KT99354026	2	15	KT99478390	12	12
KT99244589	10	10	KT99354026	4	9	KT99478390	17	18
KT99244591	10	11	KT99354026	5	10	VF06214037	17	13
KT99244592	10	12	KT99402929	3	9	VF06214231	1	9
KT99250592	4	2	KT99413201	3	2	VF16623510	17	9
KT99250910	4	6	KT99420109	5	7	VF16660164	1	18
KT99250946	4	15	KT99420109	7	12	VG21.83.34	14	3
KT99250982	4	13	KT99420125	5	33	VN30263845	13	37
KT99250987	4	11	KT99420238	5	31	VN90081166	13	30
KT99251148	4	12	KT99420286	5	9	VN90130051	13	33
KT99251168	4	19	KT99420286	7	13	VN98613805	13	29
KT99251170	4	22	KT99424074	4	17	VN99770348	16	11
KT99251171	4	21	KT99452075	16	10	VNB1326493	1	11
KT99251172	4	20	KT99457134	5	24	VNB4499461	13	31
KT99251237	4	25	KT99457135	5	28			
KT99251238	4	4	KT99458109	5	16			
KT99251239	4	8	KT99458346	12	6			
KT99308826	7	14	KT99458383	17	11			



EXTRA 224

KT451138 < Mach. ID <=

Kverneland Group Kerteminde AS
Taarupstrandvej 25
DK-5300 Kerteminde
Denmark
+45 65 19 19 00
+45 65 19 19 99

© Kverneland Group

All rights reserved. No parts of this book may be reproduced, stored in a database or retrieval system, or published in any form or in any way, electronically, mechanically, optically, by print, photo print, microfilm (including micro and macro fiche), or any other means, including all video and CD systems, without prior written permission from the publisher.

Print date: 2015-03-04



