

EXTRA 124

Spare Parts Manual

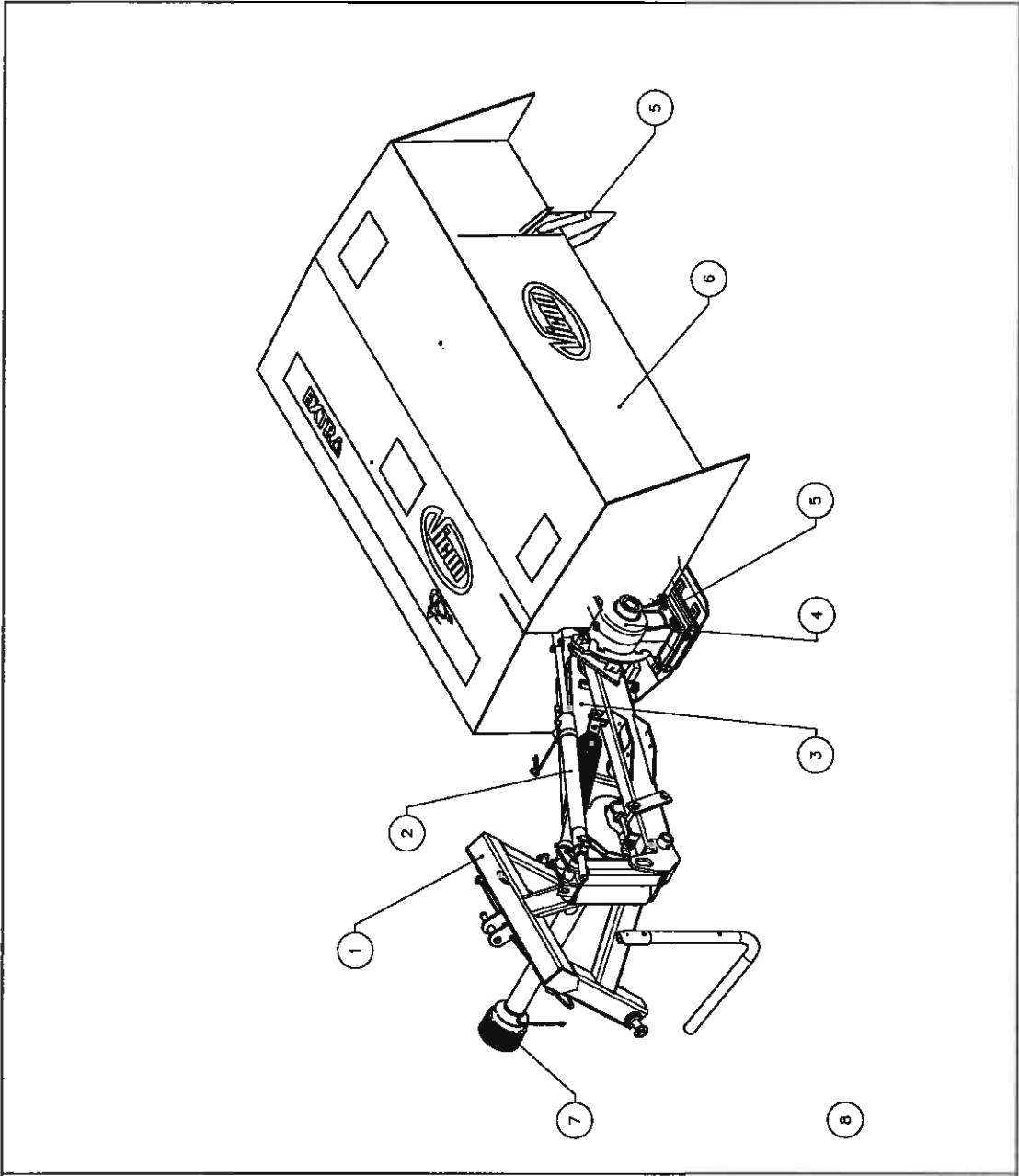
Article number: KT24043206 - 2013-09
Language: EN
Production year (from): 2013
Prod. Series nr (from): KT441613 < Mach. ID <=





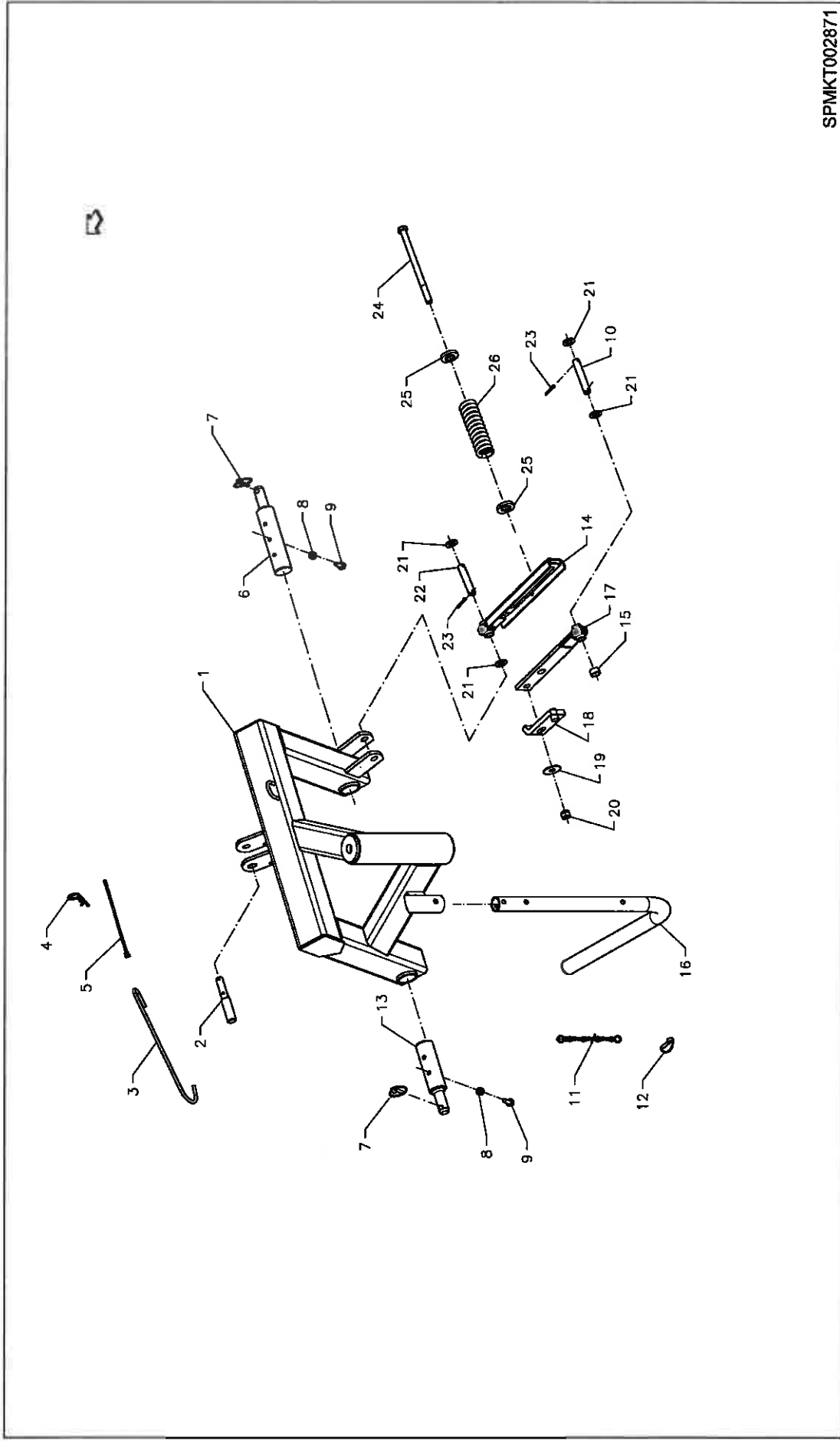
EXTRA 124 / Table of Contents

PosNo.	Assembly group	Page
1	LINKAGE	1
2	HYDRAULIC	2
3	TRANSMISSION	3
4	GEAR BOX	4
5	CUTTERBAR, COMPLETE	5
5	CUTTERBAR, SPARE PARTS SET	6
5	TRANSMISSION, CUTTERBAR	7
6	GUARD	8
7	P.T.O. SHAFT	9
8	OPTIONAL EQUIPMENT	10
8	OPTIONAL EQUIPMENT	11
8	OPTIONAL EQUIPMENT	12
8	OPTIONAL EQUIPMENT	13
8	OPTIONAL EQUIPMENT	14
8	OPTIONAL EQUIPMENT	15





EXTRA 124 / Linkage



SPMKT002871

Page number: 1

KT441613 < Mach. ID <=

© Kverneland Group

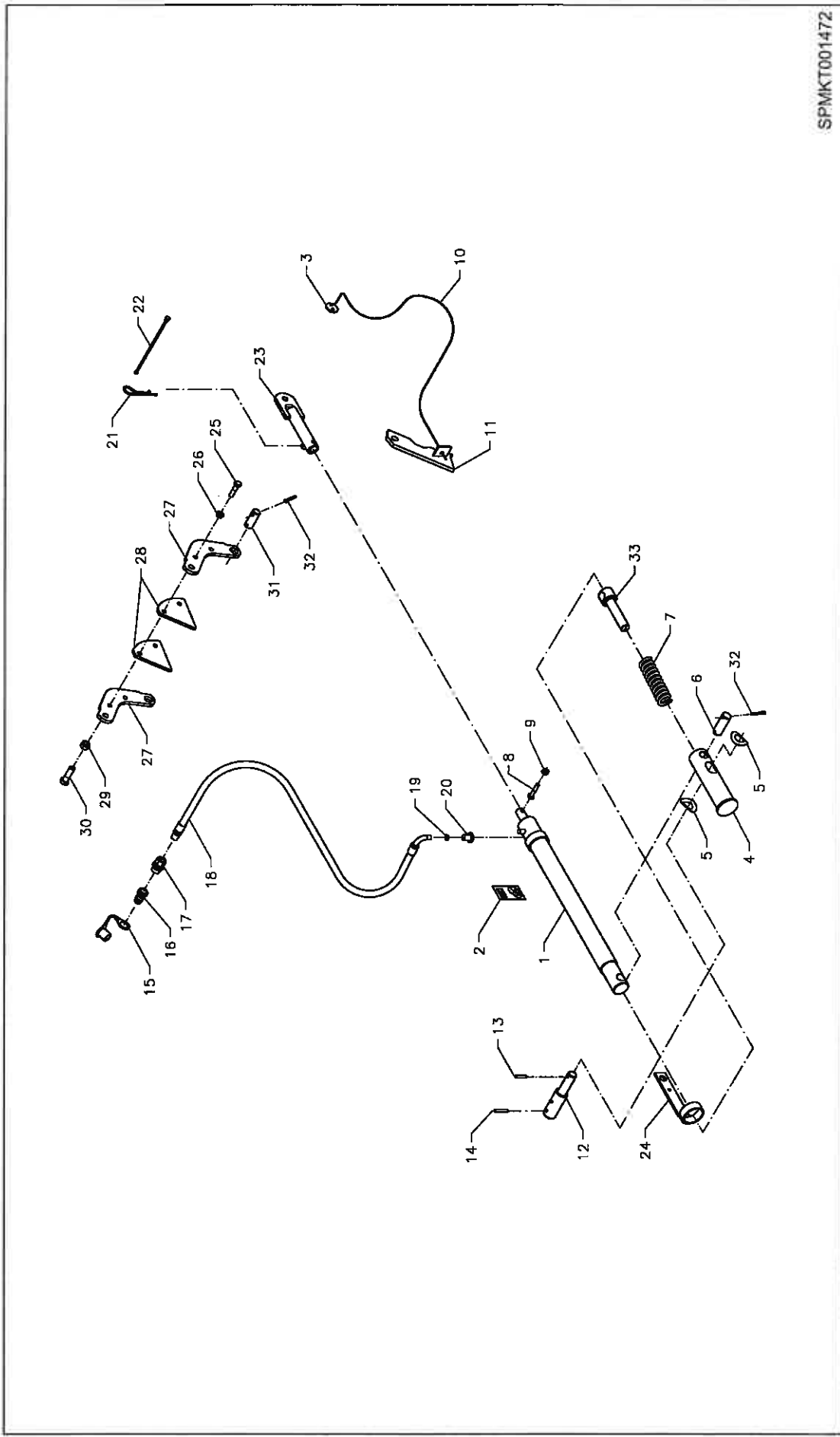


EXTRA 124 / Linkage

PosNo.	Part No.	Qty.	Description	Remark
1	KT2447300094	1	HITCH FRAME	
2	VN90043838	1	TOP PIN	
3	VNB1326493	1	HOOK	
4	VN90091569	1	SPRING	
5	VF06564448	1	CORD L= 240 COLOUR BLACK	
6	VNB1500193	1	LIFTING PIN	
7	VN90083233	2	LOCKING PIN	
8	VNB19786	2	GUIDE	
9	VNB1870178	2	SELFLOCKING BOLT M10X30	
10	VN90044366	1	PIN	
11	VNB13103	1	GUIDE	
12	KT99331907	1	PIPE LINC PIN 10-60	
13	VNB1500393	1	LIFTING PIN	
14	VN18612529	1	CONDUCTOR	
15	VNB18856	1	GUIDE	
16	KT2418200061	1	SUPPORT LEG	
17	VNB20946	1	GUIDE	
18	VNB53730	1	GUIDE	
19	KG01261761	1	WASHER M16X50 ST	
20	KG01067961	1	LOCK NUT M16 8	
21	KG01267861	4	WASHER M18	
22	VN90044288	1	PIN	
23	KG01252661	2	SPLIT PIN 5X32 ST	
24	VNB20994	1	GUIDE	
25	VN19342336	2	RING	
26	VN19330150	1	SPRING	
27	VN90047781	2	BUSH	



EXTRA 124 / Hydraulic



SPMKT001472

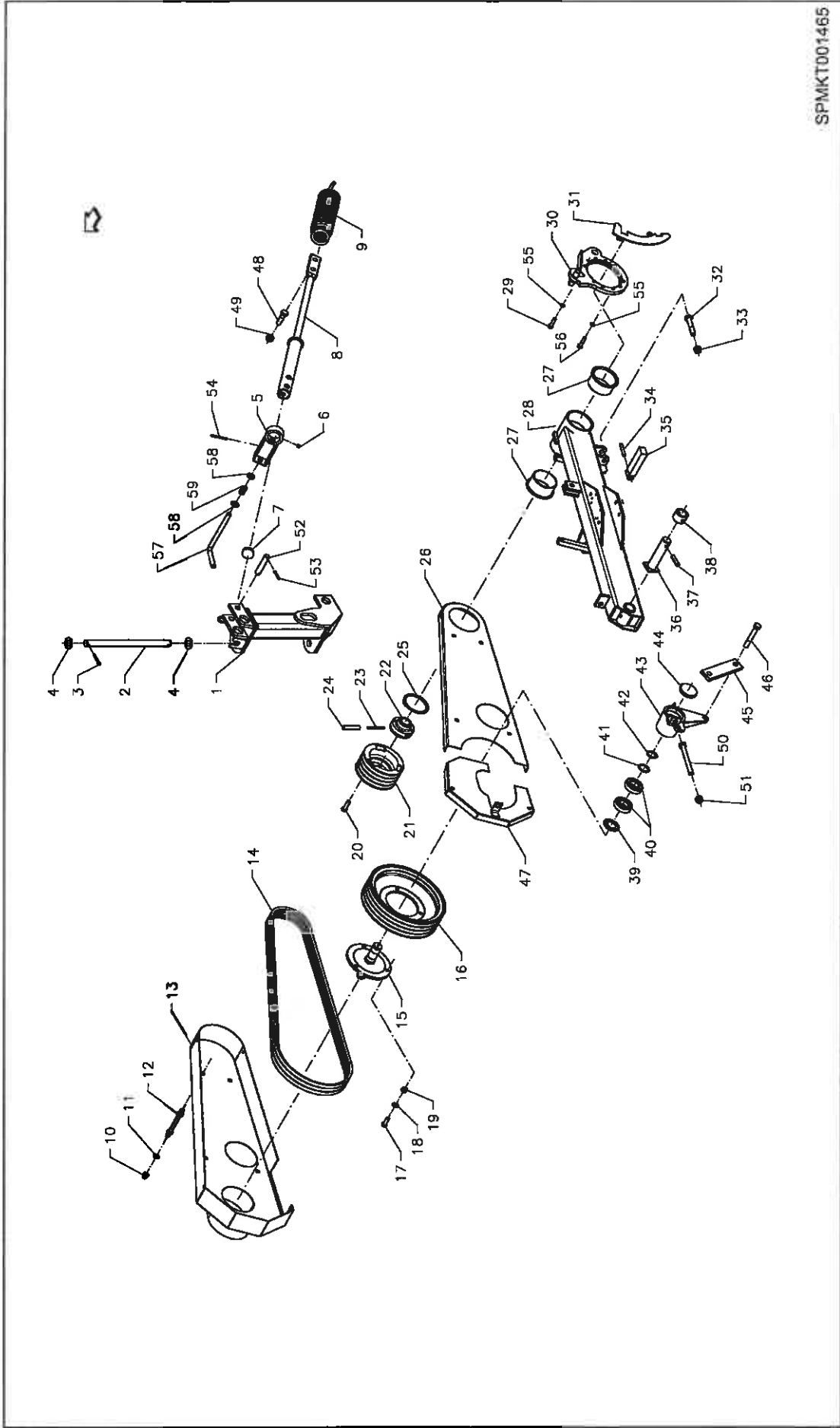


EXTRA 124 / Hydraulic

PosNo.	Part No.	Qty.	Description	Remark
1	KT2447200097	1	HYDRAULIC CYLINDER	
2	VNB1347778	1	SEAL SET	
3	VF16620041	1	PLATE	
4	VN98615082	1	PIPE	
5	VNB1304793	2	RING	
6	VN90044252	1	PIN	
7	VN98630063	1	SPRING, COMPRESSION	
8	KG00336281	1	HEX. BOLT M10X50 10.9	
9	KG01068861	1	LOCK NUT M10 10 DIN 985 GALV.	
10	KT48953000	1	LINE	
11	VNB1302286	1	SUPPORT	
12	VN50044257	1	PIN	
13	KG01191862	1	TENSION PIN 8X40	
14	KG01192062	2	TENSION PIN 8X50	
15	KT60245000	1	PROTECTION CAP	
16	KT60149000	1	QUICK COUPLING 1/2"	
17	VNB1306893	1	REDUCTION NIPPLE G1/2"-M14X1.5	
18	VNB1285578	1	HYDR. HOSE 1/4" L = 2000	
19	VN36107339	1	O-RING 3.68 X 1.78	
20	VNB1077102	1	RESTRICTOR	
21	VN90091569	1	SPRING	
22	VF06564448	1	CORD L= 240 COLOUR BLACK	
23	VN98615083	1	JOINT	
24	KT2448000086	1	TRANSPORT LOCK	
25	KG00357661	2	HEX. BOLT M12X55 8.8	
26	KG01061461	2	LOCK NUT M12 10	
27	KT2434500086	2	ARM	
28	KT2434700086	2	STOP	
29	KG01067961	1	LOCK NUT M16 8	
30	KG00362061	1	HEX. BOLT M16X55 8.8	
31	VN90044041	1	PIN	
32	KG01253761	4	SPLIT PIN 6.3X40 ST	
33	VNE2302386	1	SPRING PIN	



EXTRA 124 / Transmission



SPMKT001465

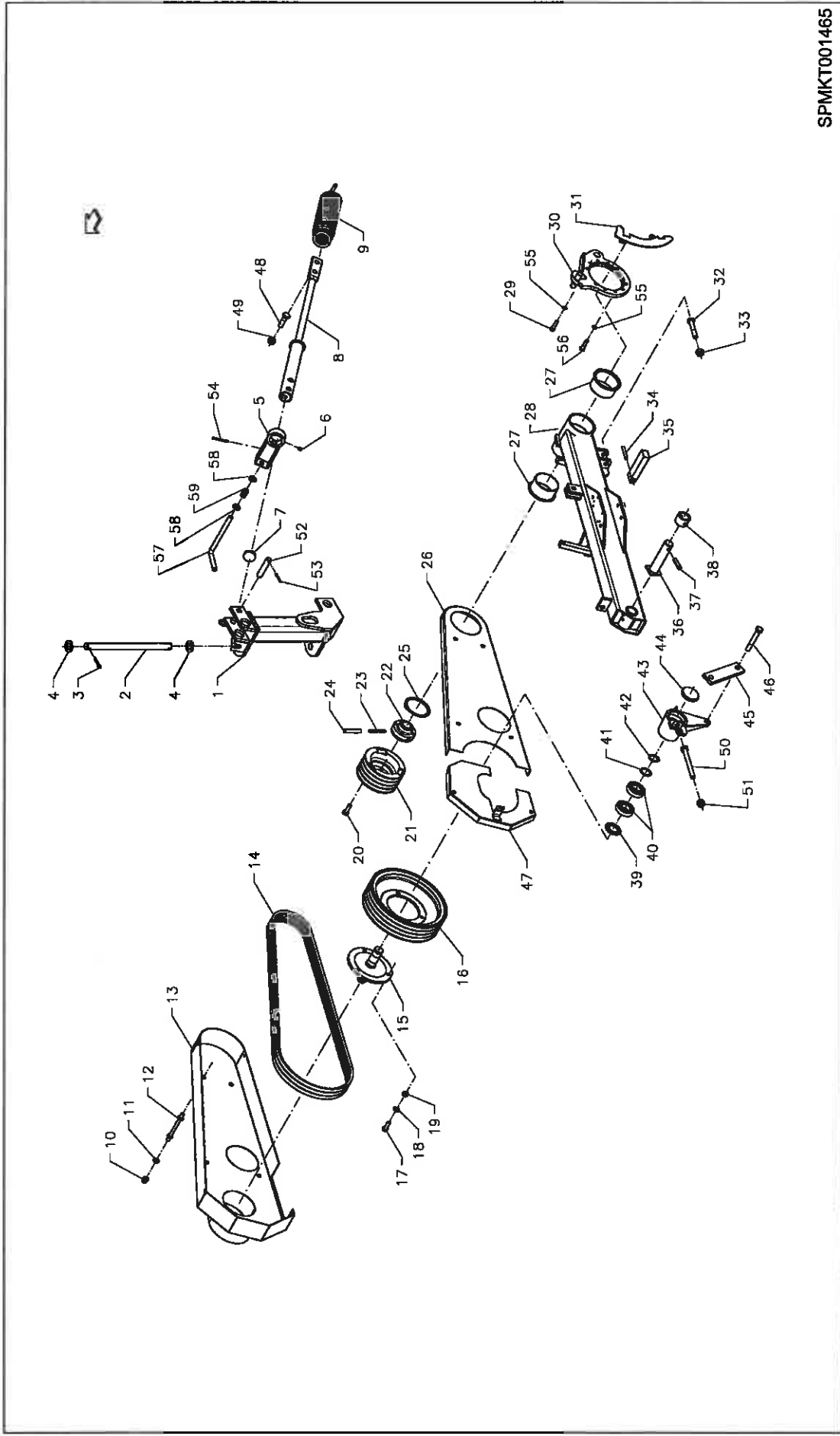


EXTRA 124 / Transmission

PosNo.	Part No.	Qty.	Description	Remark
1	KT2447400086	1	INTERMEDIATE FRAME EXTRA 100	
2	VNB2298793	1	SHAFT	
3	KG01253761	4	SPLIT PIN 6.3X40 ST	
4	KG01268161	2	WASHER M24	
5	KT2447600061	1	TRANSPORT LOCK	
6	KG00936650	1	SET SCREW M10X12 45H	
7	VN97870978	1	CAP	
8	VN98613640	1	BLOCKING ROD	
9	VNB2120686	1	DRAW SPRING	
10	KG01074461	4	CAP NUT M12 6	
11	KG01267561	4	WASHER M12	
12	VNB2198393	4	DISTANCE BOLT	
13	VNB1300594	1	GUARD	
14	VN43301603	3	V-BELT B2360 -1 PIECE	
15	VNB2127786	1	SHAFT, SPLINED	
16	VN90081324	1	V-BELT PULLEY	
17	KG00476661	3	HEX. SCREW M12X35 8.8	
18	KG01267561	3	WASHER M12	
19	KG01068981	3	LOCK NUT M12 10	
20	KG00476761	4	HEX. SCREW M12X40 8.8	
21	VNB4005686	1	V-BELT PULLEY	
22	VN18620326	1	HUB	
23	KG01192300	1	TENSION PIN 8X80	
24	KG01197100	1	TENSION PIN 14X80	
25	KG01112900	1	CIRCLIP-A 95 X 3	
26	VN99460908	1	GUARD	
27	VN90070335	2	PLASTIC BUSHING	
28	KT2447500086	1	SWING FRAME EXTRA 100	
29	KG00596100	8	CHEESE HEAD SCREW M10X40 12.9	
30	KT2429300086	1	BRACKET	
31	KT2434600086	1	PROTECTION PLATE	
32	KG00362661	1	HEX. BOLT M16X90 8.8	
33	KG01067961	2	LOCK NUT M16 8	
34	KG01194362	1	TENSION PIN 10X70	
35	VNB2575286	1	STOP	
36	VNB0595493	1	PIN	
37	VF01157402	1	ROLL PIN 13X50 EN ISO 8752 DACROM	
38	VNB05955593	1	BUSH	
39	VN31425007	1	WASHER 6207 AV	
40	KG01381100	2	BALL BEARING 6207-2RS	



EXTRA 124 / Transmission



SPMKT001465

Page number: 3

KT441613 < Mach. ID <=

© Kverneland Group



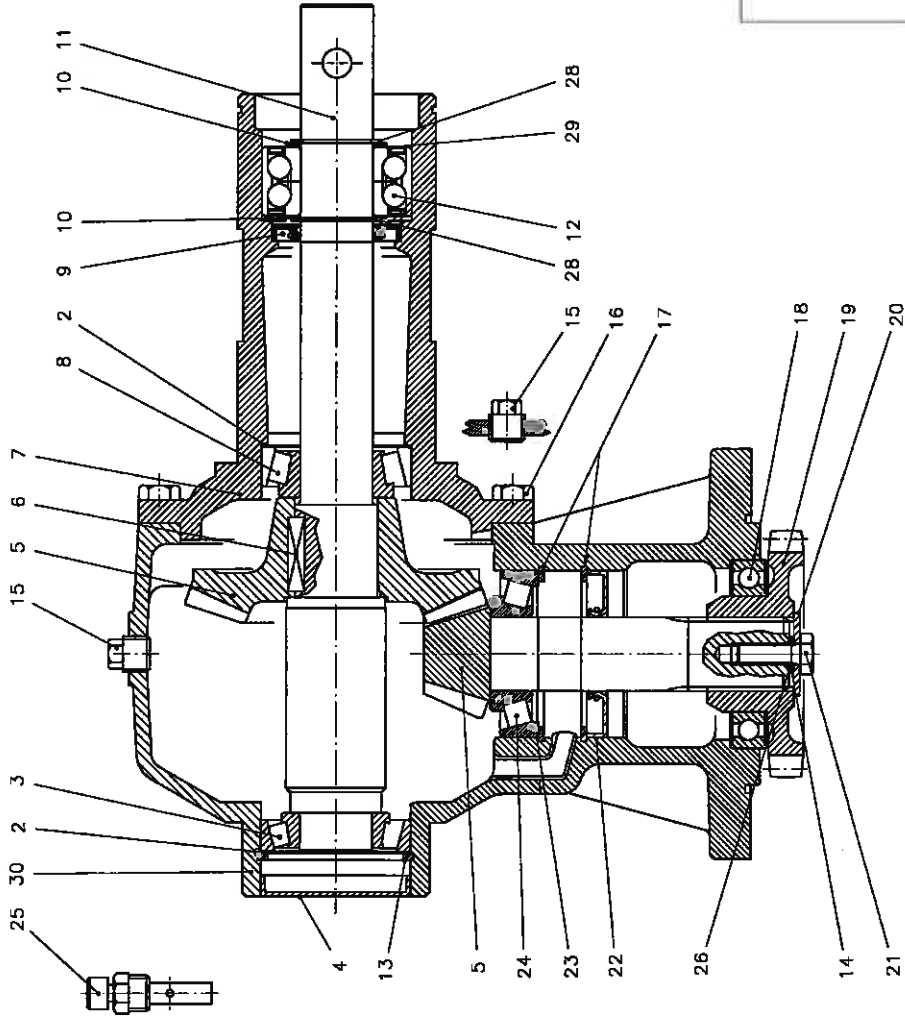
EXTRA 124 / Transmission

PosNo.	Part No.	Qty.	Description	Remark
41	VN31415028	1	RING, SUPPORTING 35X45X2.5	
42	KG01099300	1	CIRCLIP-A 35 X 2.5	
43	VN98621377	1	HUB	
44	VN36129072	1	CAP 72	
45	VN98661901	1	STRIP	
46	KG00362861	2	HEX. BOLT M16X110 8.8	
47	VNB2117194	1	COVER	
48	KG00362061	2	HEX. BOLT M16X55 8.8	
49	KG01067961	2	LOCK NUT M16 8	
50	VN50083104	1	BOLT	
51	KG01067961	1	LOCK NUT M16 8	
52	VNB2540293	1	PIN	
53	KG01252661	2	SPLIT PIN 5X32 ST	
54	VNB2071774	1	DECAL	
55	KT99333832	10	LOCK WASHER 10.3 X 16.6 NORDLOCK	
56	KG01904200	2	CHEESE HEAD SCREW M10X45 12.9	
57	KT2447700061	1	BOLT	
58	KG01267761	2	WASHER M16	
59	KT2447900063	1	SPRING	
60	KG01190000	1	TENSION PIN 6X70	



EXTRA 124 / Gear box

Complete No. 1



SPMKT001457



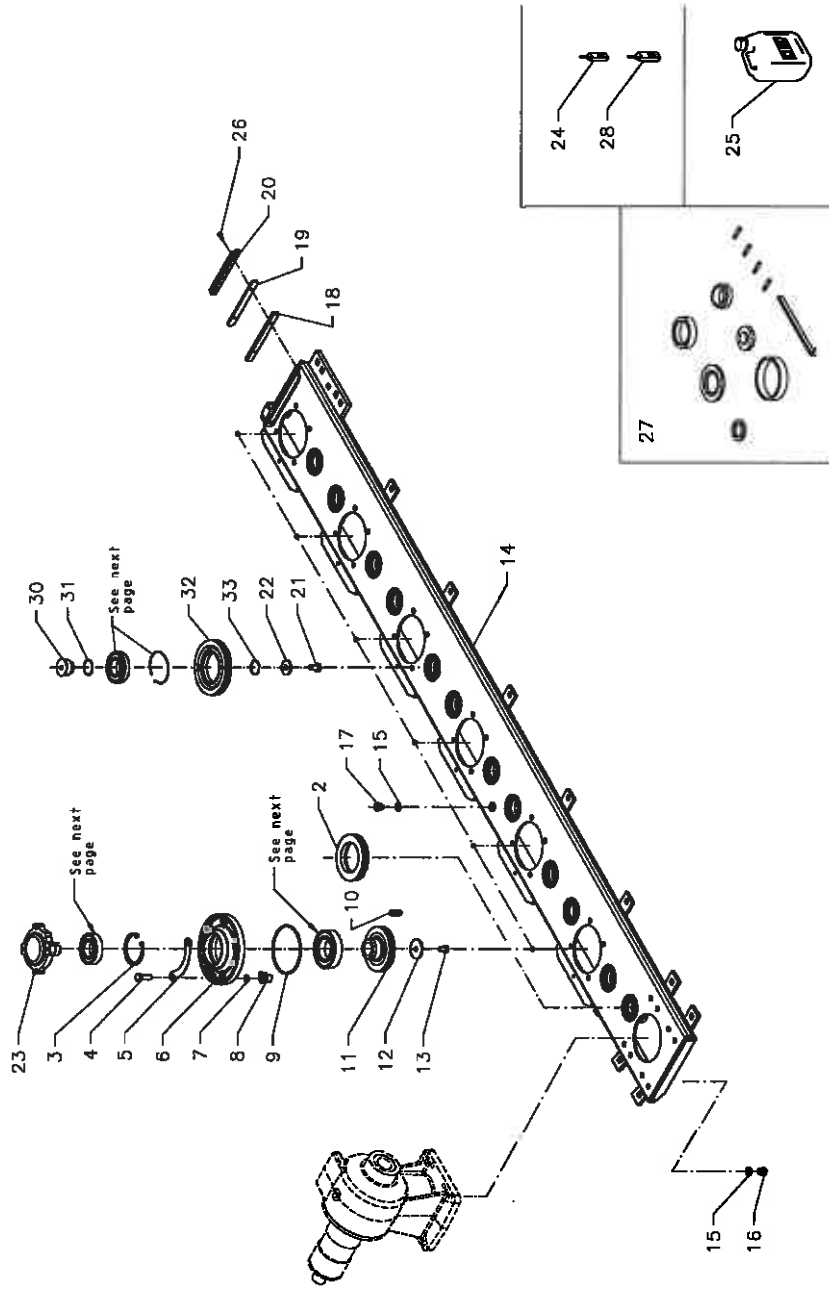
EXTRA 124 / Gear box

PosNo.	Part No.	Qty.	Description	Remark
1	KT24925000	1	BEVEL GEAR, COMPLETE	
2	KT99250910	2	WASHER	
3	KG01799100	1	TAPER ROLLER BEARING 30207	
4	KT99250592	1	COVER	
5	KT55677300	1	GEAR WHEEL SET Z=13/36	
6	KT99354026	1	PARALLEL KEY	
7	KT99251303	1	EXTENSION	
8	KG01799200	1	TAPER ROLLER BEARING 32207	
9	KG01165000	1	PIN 3X12 ST	
10	KT99250427	2	SHIM	
11	KT99251301	1	SHAFT	
12	KT99251302	1	BEARING BAH-0013	
13	KG01130500	1	CIRCLIP-B 72 X 2.5	
14	KT99251172	1	SHIM 10,2 X 17,8	
15	KT99250982	2	OIL PLUG 3/8"	
16	KG00456461	6	HEX. SCREW M10X25 10.9	
17	KG01130900	2	CIRCLIP-B 80 X 2.5	
18	KG01360700	1	BALL BEARING 6011-2RS	
19	KT99251168	1	TOOTH WHEEL Z=31	
20	KT99251170	1	WASHER	
21	KG00474361	1	HEX. SCREW M10X30 8.8	
22	KT99424074	1	OIL SEAL 35/80-10	
23	KT99250556	1	WASHER (DISC) Ø79,9	
24	KT99106225	1	ROLLER BEARING 30307	
25	KT99251148	1	AIRPLUG 3/8"	
26	KT99251171	1	SHIM 10,2 X 17,8	
27	KT10101000	1	OIL CAN 1 LTR.	
28	KT99350025	2	U 35 CIRCLIP	
29	KT99250946	1	WASHER Ø35.3-Ø48	
30	KT99251304	1	GEAR BOX CASING	



EXTRA 124 / Cutterbar, complete

Complete No. 1



SPMKT002315

Page number: 5

KT441613 < Mach. ID <=

© Kverneland Group

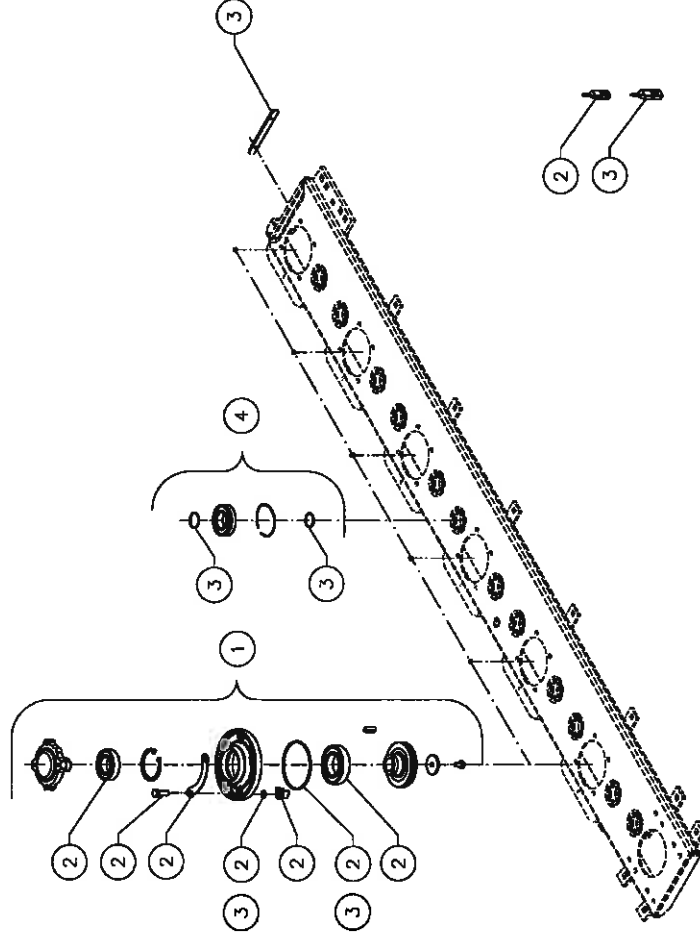


EXTRA 124 / Cutterbar, complete

PosNo.	Part No.	Qty.	Description	Remark
1	KT5532020086	1	6-DISC CUTTERBAR, COMPLETE	
2	KT55642100	1	GEAR WHEEL Z=32	
3	KG01130900	6	CIRCLIP-B 80 X 2.5	
4	KG01840800	24	HEX. SCREW M12X35 10.9 4017	
5	KT5572910061	12	LOCK PLATE	
6	KT55399000	6	CASING FOR 2 BEARINGS	
7	KT99420109	24	OIL SEAL Ø10,69X3,53	
8	KT55646100	24	NUT	
9	KT99420286	6	OIL SEAL Ø120,24X3,53	
10	KT99354026	6	PARALLEL KEY	
11	KT55640100	6	GEAR WHEEL Z=31	
12	KT55154000	6	WASHER 11/50-4	
13	KG00473961	6	HEX. SCREW M10X16 8.8	
14	KT5515900086	1	6-DISC CUTTERBAR	
15	KT99462718	2	DISC Ø16-Ø22X1	
16	KT99458109	1	TUBE PLUG M16X1,5	
17	KT99462633	1	PLUG M16X1,5	
18	KT55650000	1	LUG	
19	KT55651000	1	GASKET	
20	KT5564900061	1	COVER	
21	KG00476261	12	HEX. SCREW M12X20 8.8	
22	KT55670000	12	WASHER (DISC)	
23	KT55403000	6	HUB FOR CONE	
24	KT99457134	1	LOC TITE TUBE 3 G	
25	KT10105000	1	OIL CAN 5 LTR.	
26	KG00542161	2	CHEESE HEAD SCREW M5X16 8.8	
27	KT55695100	1	TOOL KIT FOR CUTTERBAR	
28	KT99457135	1	LOC TITE TUBE 10 G	
30	KT55644000	12	JOURNAL	
31	KT99420238	12	OIL SEAL Ø37,1 X 1,6	
32	KT55641100	11	GEAR WHEEL Z=39	
33	KT99420125	12	OIL SEAL Ø34,2X3	



EXTRA 124 / Cutterbar, spare parts set



SPMKT002316

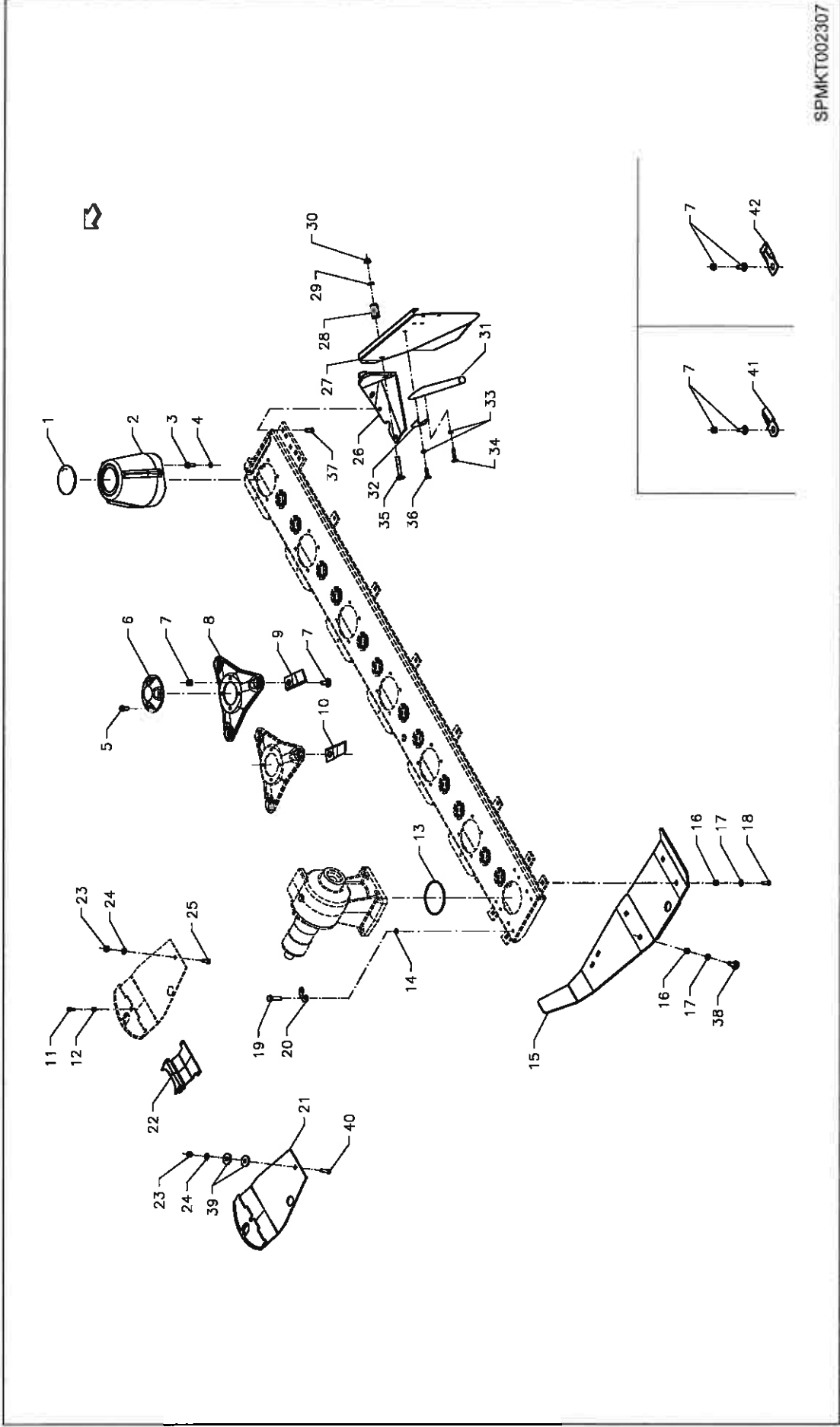


EXTRA 124 / Cutterbar, spare parts set

PosNo.	Part No.	Qty.	Description	Remark
1	KT55245300	1	CASING (2 BEARINGS) FOR CONE, COMPLETE	
2	KT55994000	1	KIT OF 2 BEARINGS	
3	KT55710200	1	GASKET KIT	
4	KT55706100	1	SET OF BEARING	



EXTRA 124 / Transmission, cutterbar



SPMKT002307

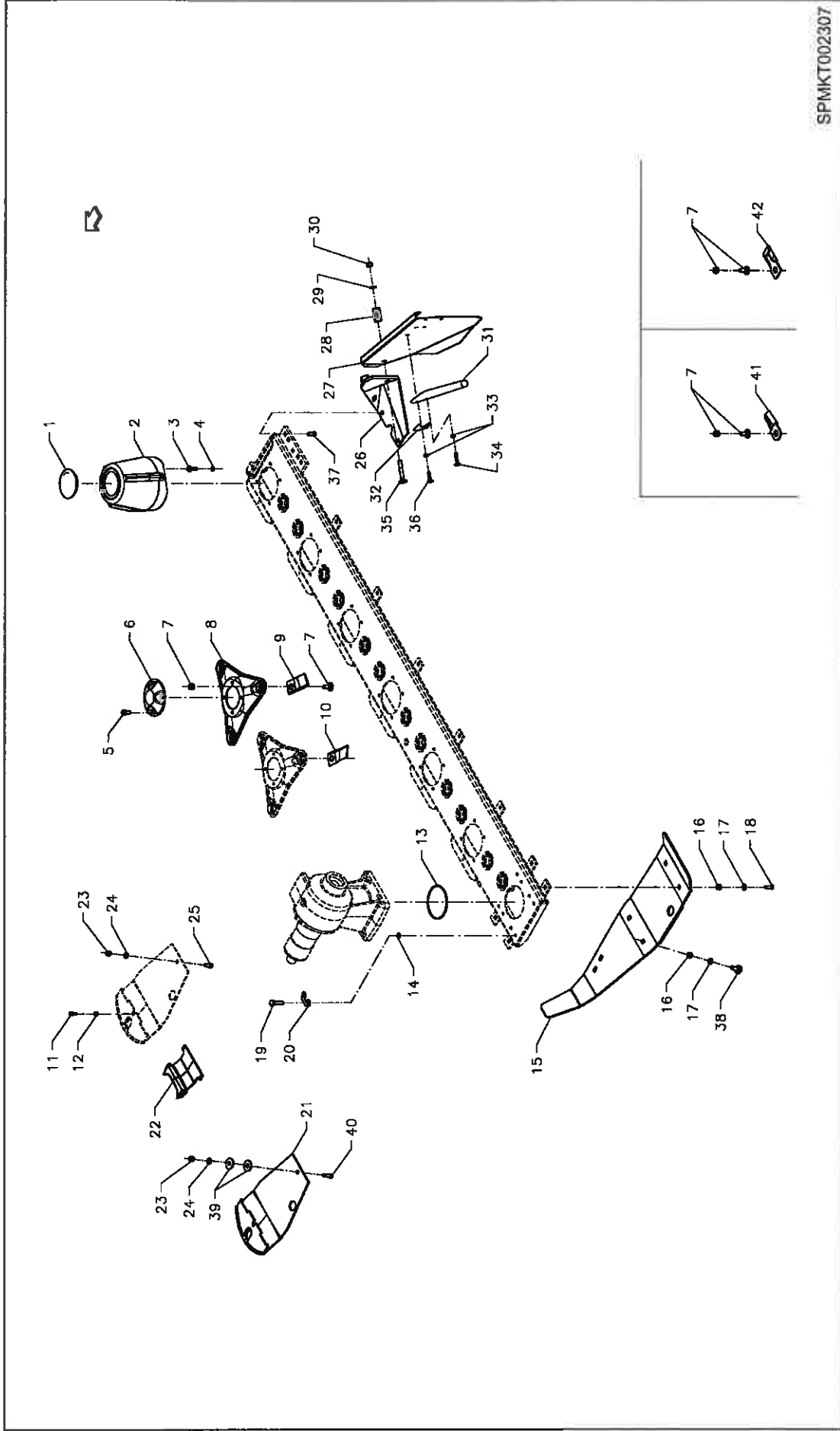


EXTRA 124 / Transmission, cutterbar

PosNo.	Part No.	Qty.	Description	Remark
1	VN99770348	1	CAP	
2	KT2441000086	1	CONE, TRIANGULAR DISC	
3	KT99322670	4	STEELSET SCREW M10X25 12.9	
4	KT99333832	4	LOCK WASHER 10.3 X 16.6 NORDLOCK	
5	KT99308826	20	STEEL BOLT (VERBUS RIBB BOLT) M10X20	
6	KT5513700086	5	COVER	
7	KT56785000	1	KNIFE BOLT KIT CPL. (25 PCS.)	
8	KT5513600094	6	CUTTING DISC	
9	KT5611040001	1	KNIFE, RH (126MM)	
10	KT5611090001	1	KNIFE, LH (126MM)	
11	KG00545061	6	CHEESE HEAD SCREW M8X20 8.8	
12	KG01067561	6	LOCK NUT M8 8	
13	KT99420286	1	OIL SEAL Ø120,24X3,53	
14	KT99420109	8	OIL SEAL Ø10,69X3,53	
15	KT2434800086	1	SKID	
16	KG01064261	4	LOCK NUT M12 8	
17	KG01267561	4	WASHER M12	
18	KT4543100061	2	PLOUGH BOLT M12X35	
19	KT99328825	8	STEEL BOLT	
20	KT5568820061	4	LOCK PLATE	
21	KT5512510086	6	WEARING SOLE	
22	KT5513910086	5	COUNTER KNIFE	
23	KG01064161	6	LOCK NUT M10 8	
24	KG01267461	6	WASHER M10	
25	KT45429000	5	PLOUGH BOLT M10-30	
26	KT2428200086	1	BRACKET, RH	
27	VN98613805	1	SWATHBOARD	
28	VN98630051	1	SPRING, COMPRESSION	
29	KG01267561	1	WASHER M12	
30	KG01068961	3	LOCK NUT M12 10	
31	VN90081166	1	SWATH STICK	
32	VNB4499461	1	CAP	
33	KG01051961	2	HEX. NUT M8 8	
34	VN30263845	1	CARRIAGE BOLT M8X45/4.6 GALV.	
35	KG00668961	1	CARRIAGE BOLT M12X80 4.6	
36	KG00667561	1	CARRIAGE BOLT M8X35 4.6	
37	KT4543100061	2	PLOUGH BOLT M12X35	
38	KG00644961	2	CARRIAGE BOLT M12X35 8.8	
39	KT5627100061	2	WASHER Ø13-Ø40X4	
40	KT56149000	1	PLOUGH BOLT M10-40	



EXTRA 124 / Transmission, cutterbar



SPMKT002307

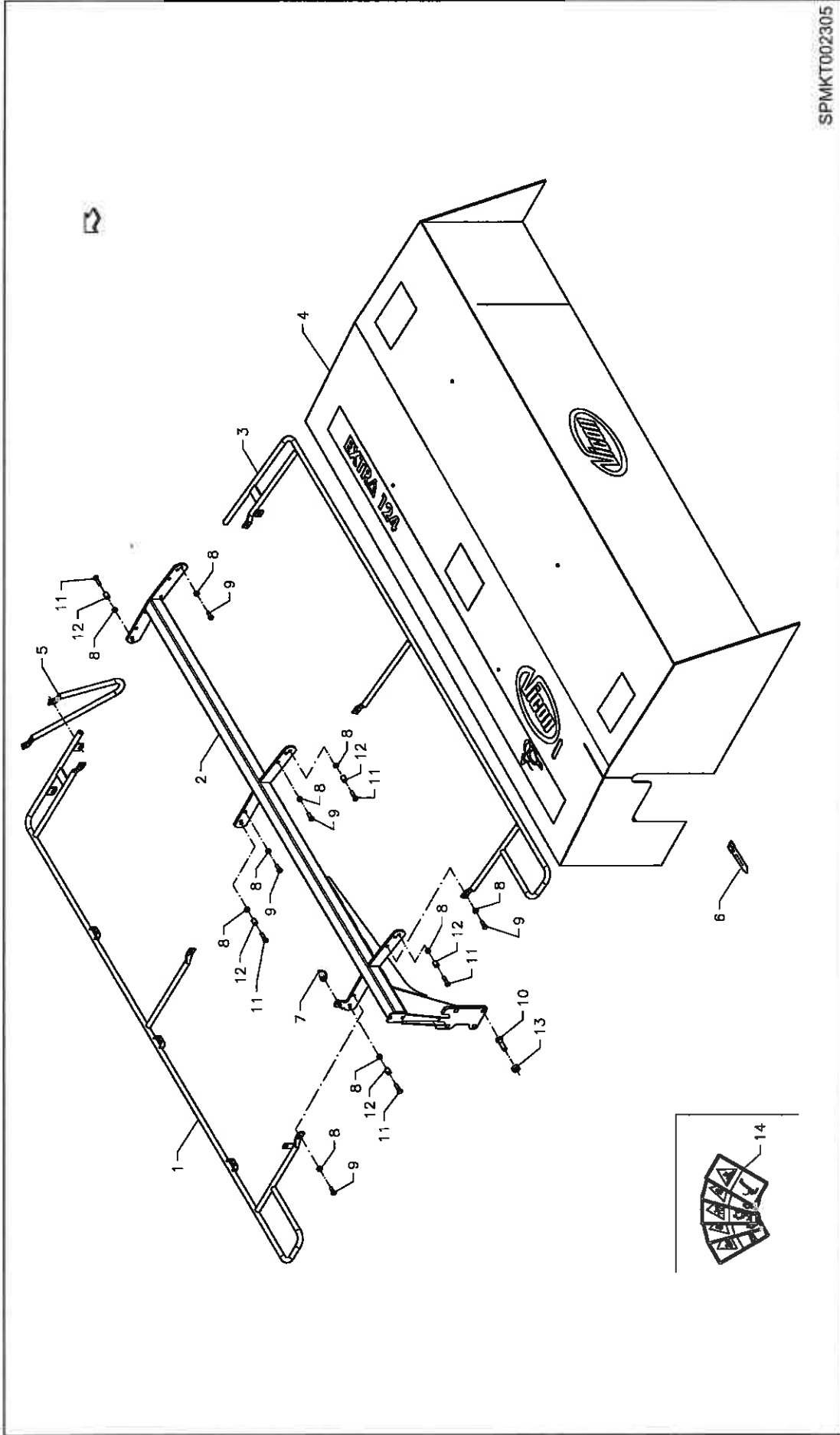


EXTRA 124 / Transmission, cutterbar

PosNo.	Part No.	Qty.	Description	Remark
41	KT5611030001	1	KNIFE (128MM)	
42	KT5611050001	1	KNIFE (131MM)	



EXTRA 124 / Guard



SPMKT002305

Page number: 8

KT441613 < Mach. ID <=

© Kverneland Group

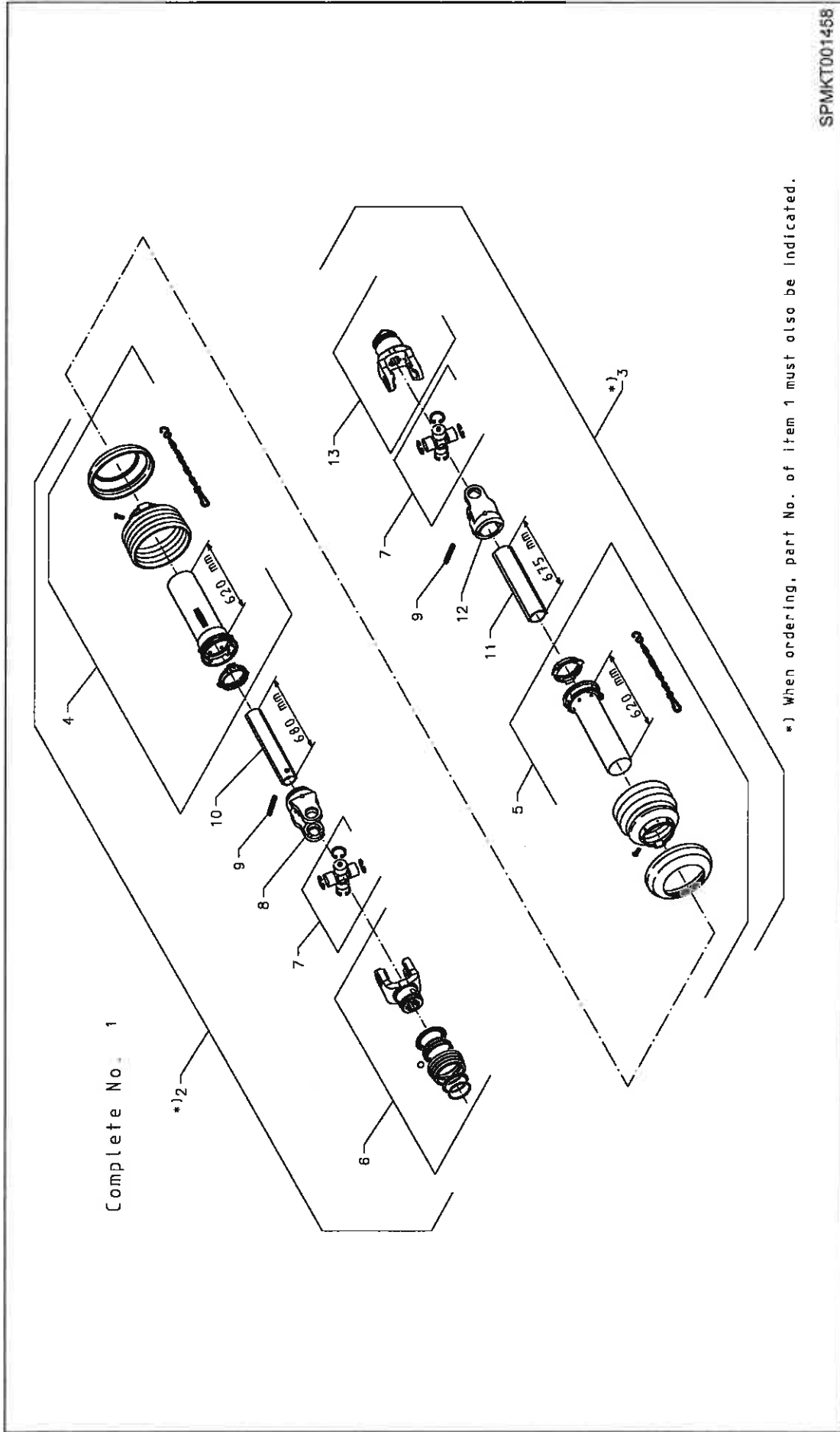


EXTRA 124 / Guard

PosNo.	Part No.	Qty.	Description	Remark
1	VNB2721886	1	COVER FRAME	
2	KT2434400086	1	UPRIGHT	
3	VNB1308086	1	COVER FRAME	
4	KT24492000	1	TARPAULIN	
5	VNB2693386	1	BRACKET	
6	KT99352801	10	BELT FOR TARPAULIN	
7	VN90081623	1	LYNCH PIN	
8	KG01068861	16	LOCK NUT M10 10 DIN 985 GALV.	
9	KG00474361	11	HEX. SCREW M10X30 8.8	
10	KG00362061	4	HEX. BOLT M16X55 8.8	
11	KG00355261	5	HEX. BOLT M10X40 8.8	
12	VN90047784	5	BUSH	
13	KT2420900061	4	BUSHING	
14	KT24382000	1	DECAL KIT	



EXTRA 124 / P.T.O. shaft



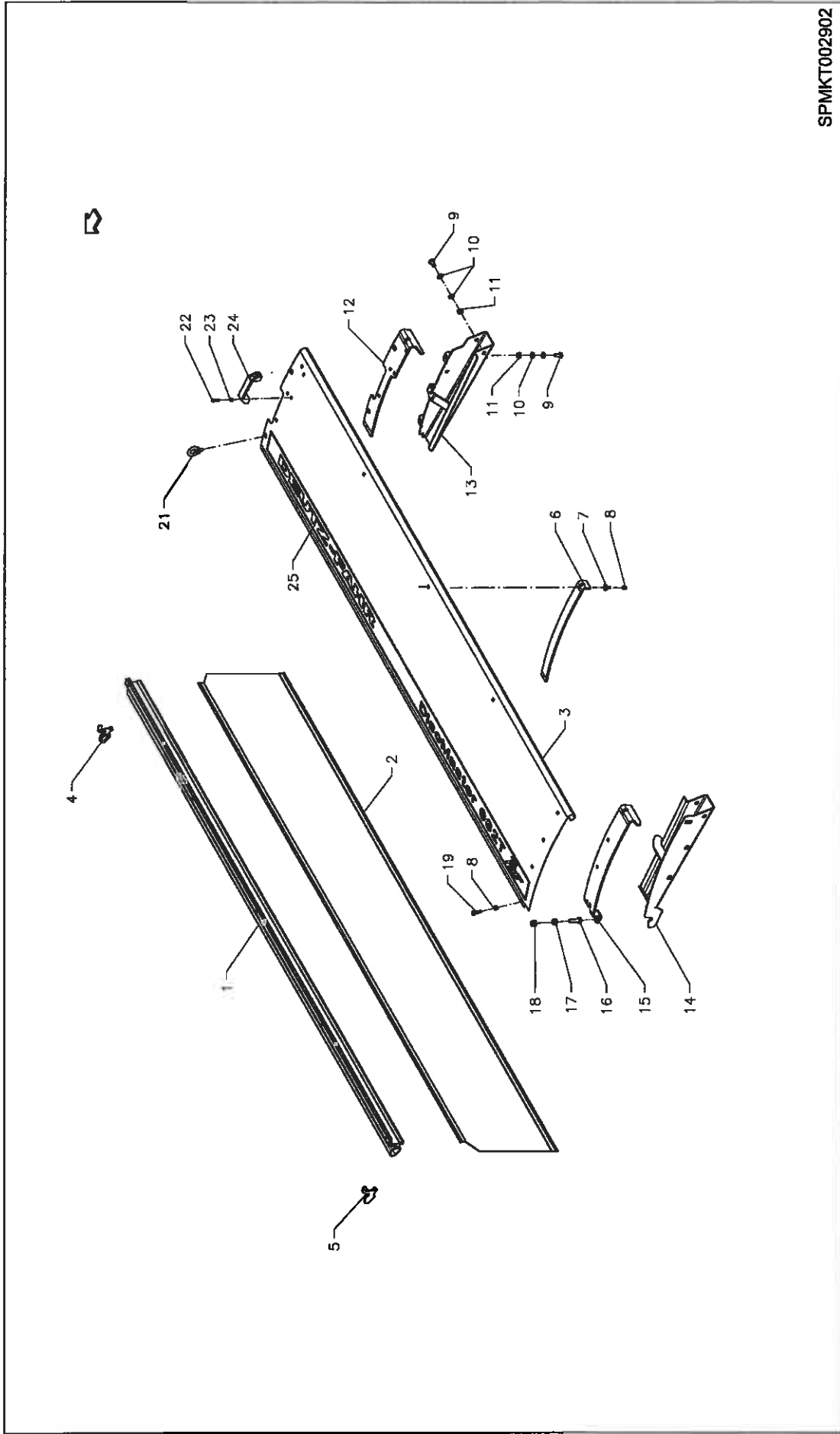


EXTRA 124 / P.T.O. shaft

PosNo.	Part No.	Qty.	Description	Remark
1	KT99244330	1	PTO SHAFT W2300 SD15SW 810 F5/1R	Walterscheid No. 149884
2	KT99244582	1	PTO SHAFT INNER HALF, COMPLETE	
3	KT99244583	1	PTO SHAFT OUTER HALF, COMPLETE	
4	KT99244584	1	OUTER PROTECTION TUBE, COMPLETE	
5	KT99244585	1	INNER PROTECTION TUBE, COMPLETE	Walterscheid No. 116169
6	KT99244586	1	YOKE, COMPLETE	Walterscheid No. 116170
7	KT99244588	2	CROSS, COMPLETE	Walterscheid No. 133834
8	KT99235524	1	YOKE	Walterscheid No. 116403
9	KT99330583	2	PIPE PIN Ø10-65	Walterscheid No. 041315
10	KT99244589	1	INNER PROFILE TUBE	Walterscheid No. 020614
11	KT99244591	1	OUTER PROFILE TUBE	Walterscheid No. 135936
12	KT99244592	1	YOKE	Walterscheid No. 136155
13	KT99244587	1	OVERRUN CLUTCH	Walterscheid No. 041318 Walterscheid No. 172630



EXTRA 124 / Optional equipment



SPMKT002902

Page number: 10

KT441613 < Mach. ID <=

© Kverneland Group

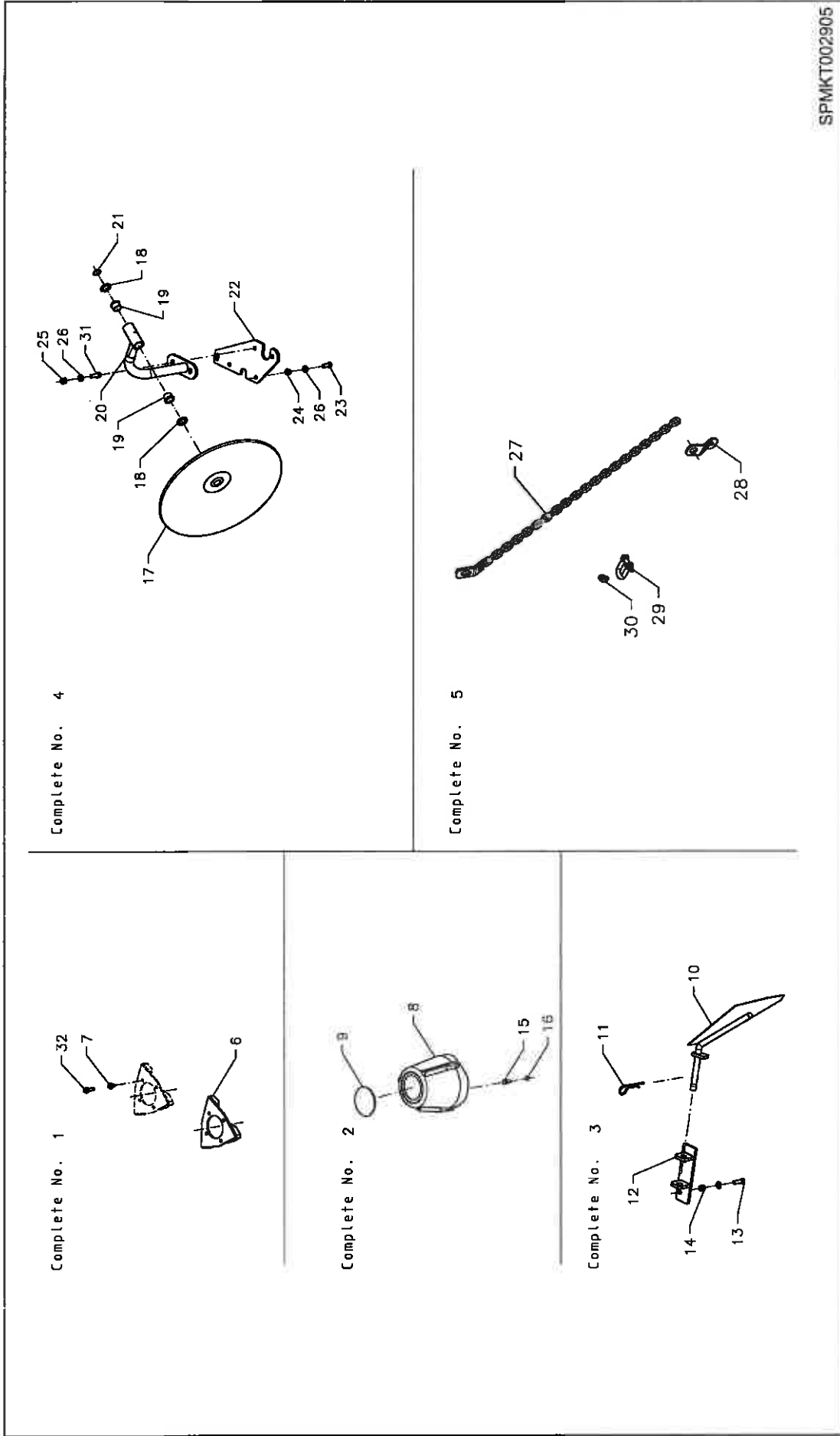


EXTRA 124 / Optional equipment

PosNo.	Part No.	Qty.	Description	Remark
1	KT95131000	1	ALUMINIUM PROFILE	
2	KT95128100	1	TARPAULIN	
3	KT9513000080	1	FRONT PLATE	
4	KT96292000	1	CAP	
5	KT96291000	1	CAP	
6	KT9513500086	3	GUARD PLATE	
7	KG00667461	10	CARRIAGE BOLT M8X20 4.6	
8	KG01067561	35	LOCK NUT M8 8	
9	KG00474261	3	HEX. SCREW M10X25 8.8	
10	KG01267461	6	WASHER M10	
11	KG01067661	5	LOCK NUT M10 8	
12	KT9513300086	1	GUARD PLATE	
13	KT9512400086	1	SUPPORT PLATE, RH	
14	KT9512500086	1	SUPPORT PLATE, LH	
15	KT9513400086	1	GUARD PLATE	
16	KG00476761	1	HEX. SCREW M12X40 8.8	
17	KG01052161	1	HEX. NUT M12 8	
18	KG01064261	3	LOCK NUT M12 8	
19	KG00731463	5	CHEESE HEAD SCREW M8X25 10.9	
21	KT95255000	2	EYE BOLT M10X25	
22	KG00469161	5	HEX. SCREW M6X25 8.8	
23	KG01067361	2	LOCK NUT M6 8	
24	KT99456238	1	PLASTIC HANDLE	
25	KT95184100	1	DECAL DEUTZ-FAHR DISCMaster 632T PRO	



EXTRA 124 / Optional equipment



SPMKT002905

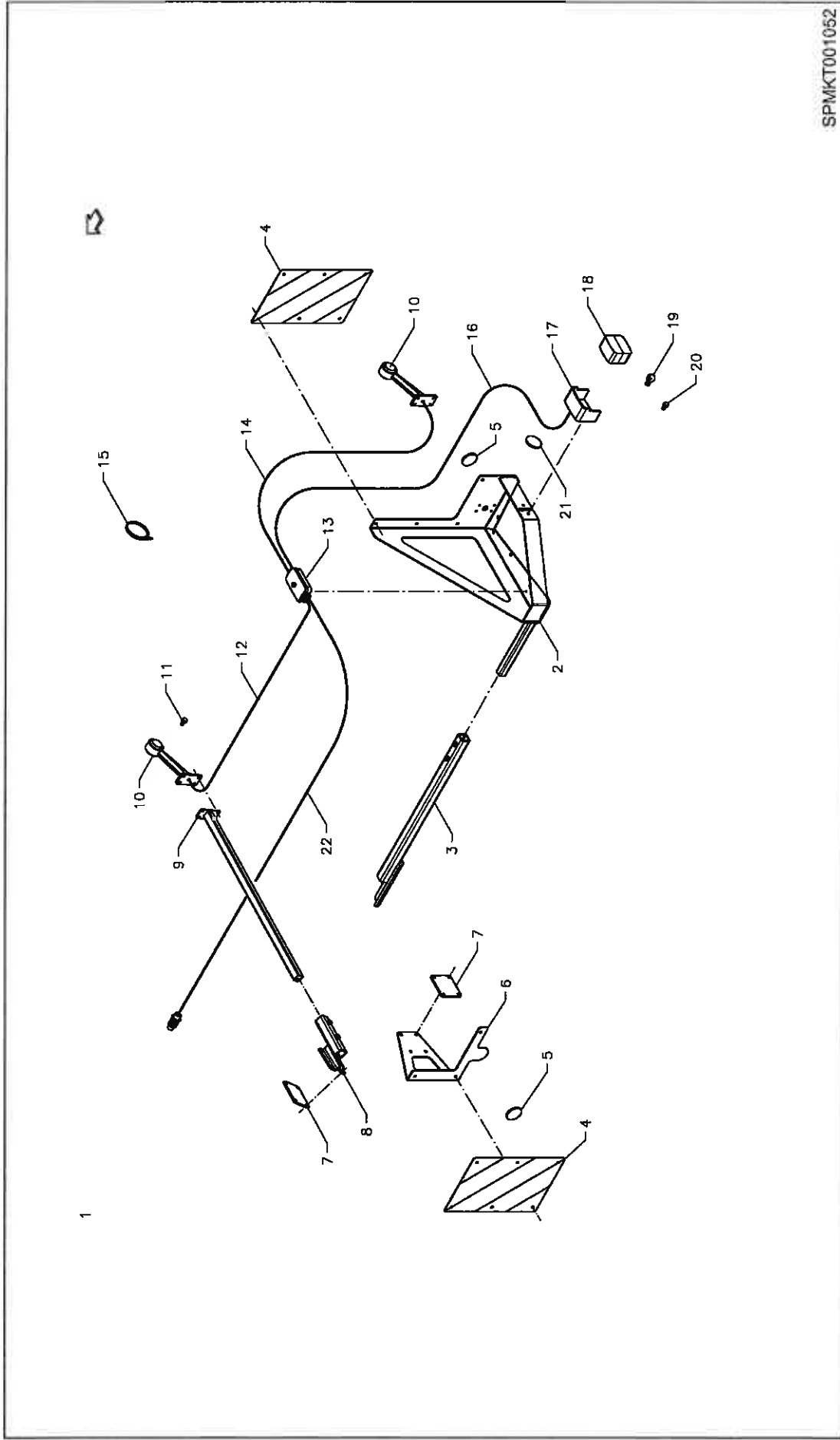


EXTRA 124 / Optional equipment

PosNo.	Part No.	Qty.	Description	Remark
1	ACCESSOIRE	1	PLEASE CONTACT YOUR DEALER	
2	ACCESSOIRE	1	PLEASE CONTACT YOUR DEALER	
3	ACCESSOIRE	1	PLEASE CONTACT YOUR DEALER	
4	ACCESSOIRE	1	PLEASE CONTACT YOUR DEALER	
5	ACCESSOIRE	1	PLEASE CONTACT YOUR DEALER	
6	KT2441300086	4	CONE, LOW	
7	KT99308828	16	STEEL BOLT M10X25 10.9	
8	KT2441000086	1	CONE, TRIANGULAR DISC	
9	VN9770348	1	CAP	
10	VNB1695586	1	SWATH BOARD	
11	VN90091569	1	SPRING	
12	KT2440900086	1	BRACKET, LH SWATH BOARD	
13	KT4539500061	2	PLOUGH BOLT M12-45	
14	VN30583100	2	TENSILOCKNUT M10/K10 GALV.	
15	KT99322670	4	STEELSET SCREW M10X25 12.9	
16	KT99333832	4	LOCK WASHER 10,3 X 16,6 NORDLOCK	
17	VGGF055	1	SWATH DISC	
18	KT4540500061	2	WASHER	
18	KT45405000	2	SUPPORT DISC	
19	KT99155025	2	NYLON BUSHING	
20	KT5684010086	1	BRACKET FOR SWATH DISC	
21	KG01108300	1	OUTER RETAINING RING-A 25 X 1.2	
22	KT2433400086	1	PLATE	
23	KT4543100061	2	PLOUGH BOLT M12X35	
24	KG01073361	2	LOCK NUT M12 10	
25	KG01064261	4	LOCK NUT M12 8	
26	KG01267561	4	WASHER M12	
27	KT6755820061	1	CHAIN	
28	KT9089800061	1	BRACKET	
29	KT99452075	1	SHACKLE 3/4"	
30	KT42176000	1	LINCH PIN Ø10MM	
31	KG00476661	2	HEX. SCREW M12X35 8.8	
32	KT99308830	16	STEEL BOLT	



EXTRA 124 / Optional equipment



SPMKT001052



EXTRA 124 / Optional equipment

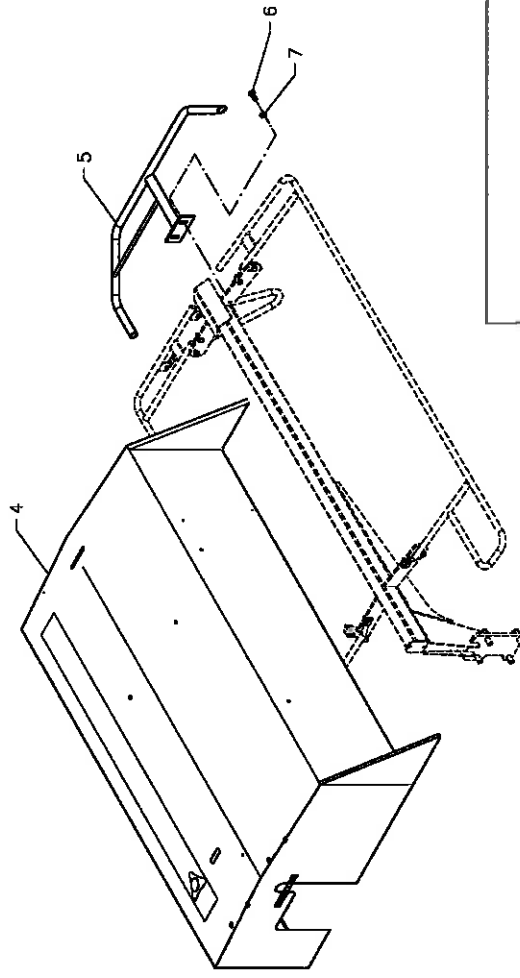
PosNo.	Part No.	Qty.	Description	Remark
1	ACCESSOIRE	1	PLEASE CONTACT YOUR DEALER	
2	VNB4350486	1	SUPPORT	
3	VNB4351286	1	TUBE-HOLDER	
4	VNB4375878	2	SET RED/WHITE PANELS 423X282	
5	VNB3621478	2	REFLECTOR, ORANGE-M5	
6	VNB4364586	1	PLATE	
7	VNB4363186	2	PLATE	
8	VNB4363086	1	SUPPORT	
9	VNB4364086	1	TUBE	
10	VNB4375378	2	RED/WHITE LIGHT	
11	VN48523005	2	LAMP 12V5W/ BA 15 S	
12	VNB4375578	1	CABLE L=2700MM	
13	VNB3619878	1	DEVIDER BOX	
14	VNB4375478	1	CABLE L=350MM	
15	VN80504003	6	CABLE TIE 200X4,7 BLACK	
16	VNB4375678	1	CABLE L=500MM	
17	VNE3620578	1	PROT. COVER TAIL LIGHT	
18	VNB3452378	1	REAR LIGHT RIGHT	
19	VN48523002	2	BULB 12V-21W / BA15S	
20	VN48523001	1	BULB 12V-10W / BA15S	
21	VN37601015	1	REFELCTOR, RED- SELF ADHESIVE	
22	VNB4375778	1	CABLE L=5000MM	



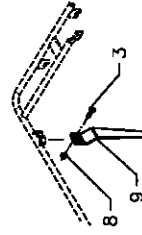
EXTRA 124 / Optional equipment



Complete No. 1



Complete No. 2



SIPMKT001482

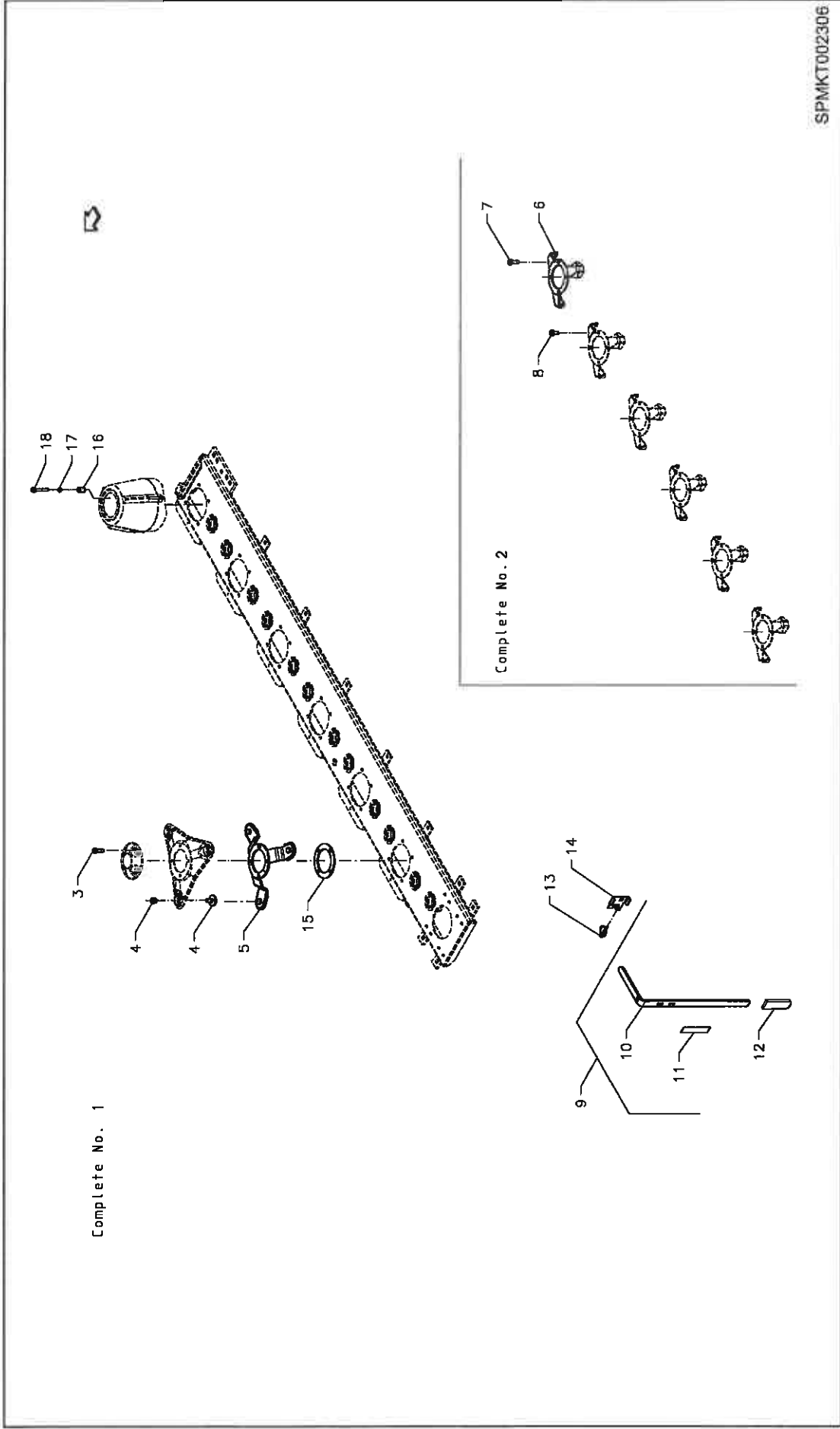


EXTRA 124 / Optional equipment

PosNo.	Part No.	Qty.	Description	Remark
1	ACCESSOIRE	1	PLEASE CONTACT YOUR DEALER	
2	ACCESSOIRE	1	PLEASE CONTACT YOUR DEALER	
3	KG00471961	6	HEX. SCREW M8X20 8.8	
4	VNB2555178	1	PROTECTION CURTAIN	
5	VNB2555386	1	BRACKET	
6	KG00474461	2	HEX. SCREW M10X35 8.8	
7	KG01068861	2	LOCK NUT M10 10 DIN 985 GALV.	
8	KG01051961	6	HEX. NUT M8 8	
9	VN97870841	3	STIFFENER	



EXTRA 124 / Optional equipment



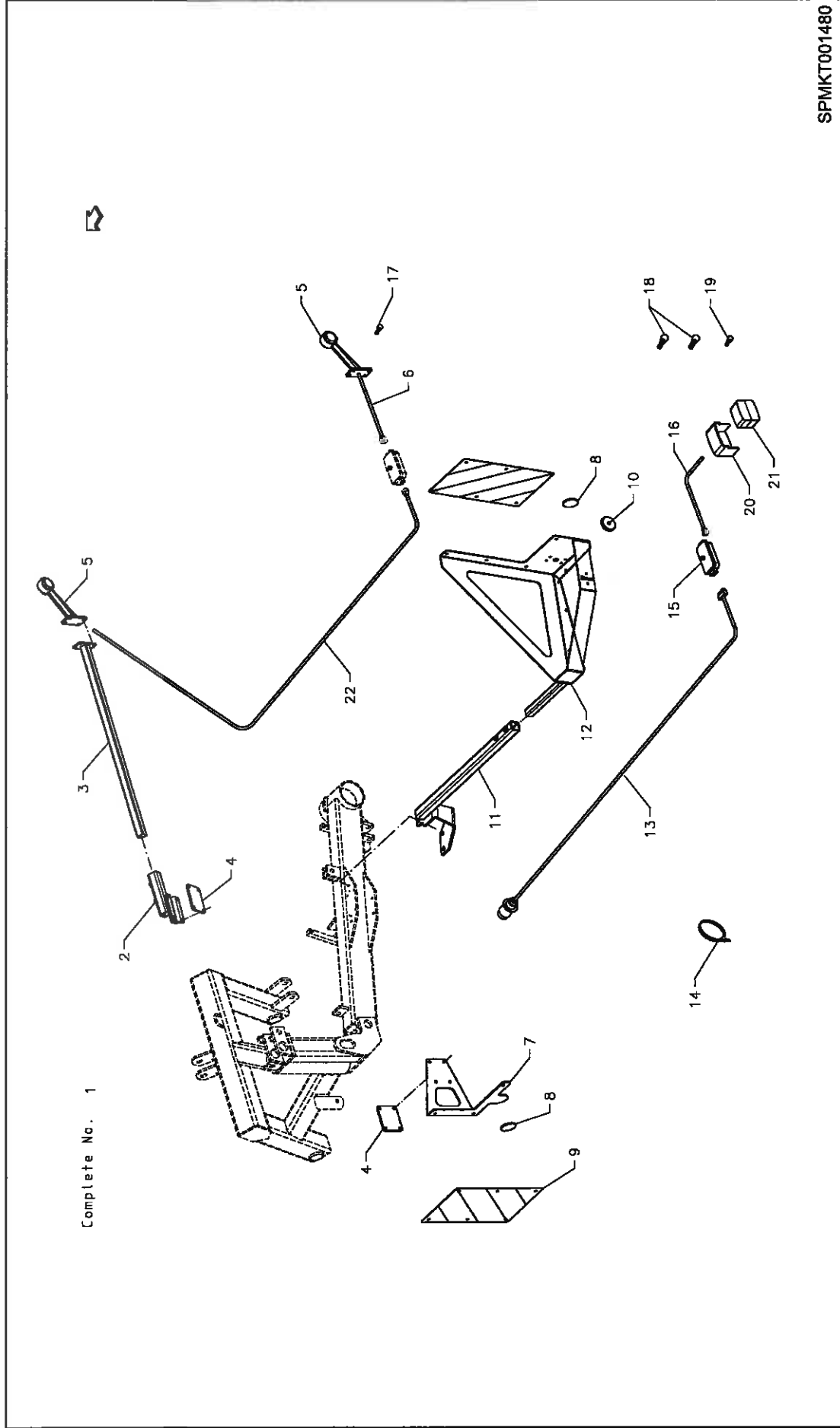


EXTRA 124 / Optional equipment

PosNo.	Part No.	Qty.	Description	Remark
1	ACCESSOIRE	1	PLEASE CONTACT YOUR DEALER	
2	ACCESSOIRE	1	PLEASE CONTACT YOUR DEALER	
3	KT99308832	24	STEEL BOLT M10X35 10.9(VERBUS RIBB BOLT)	
4	KT56998000	1	KIT OF KNIFE BOLT (25 PCS.)	
5	KT5518500086	6	SPRING, COMPLETE	
6	KT2443200086	6	STOP FOR KNIFE	
7	KT99308830	4	STEEL BOLT	
8	KT99308826	20	STEEL BOLT (VERBUS RIBB BOLT) M10X20	
9	KT55177000	1	TOOL COMPLETE	
10	KT5517400061	1	TOOL	
11	KT55769000	1	DECAL	
12	KT38218000	1	PLASTIC HANDLE	
13	KT99331901	1	LINCH PIN Ø 6	
14	KT5577300061	1	PARKING BRACKET	
15	KT5526900061	6	WASHER 4MM (EXPRESS)	
16	KT5539800061	4	BUSHING	
17	KT99333832	4	LOCK WASHER 10,3 X 16,6 NORDLOCK	
18	KG01904500	4	CHEESE HEAD SCREW M10X60 12.9	



EXTRA 124 / Optional equipment



SPMKT001480

Page number: 15

KT441613 < Mach. ID <=

© Kverneland Group



EXTRA 124 / Optional equipment

PosNo.	Part No.	Qty.	Description	Remark
1	ACCESSOIRE	1	PLEASE CONTACT YOUR DEALER	
2	VNB4363086	1	SUPPORT	
3	VNB4364086	1	TUBE	
4	VNB4363186	2	PLATE	
5	VNB4375378	2	RED/WHITE LIGHT	
6	VNB4375478	1	CABLE L=350MM	
7	VNB4364586	1	PLATE	
8	VNB3621478	2	REFLECTOR, ORANGE-M5	
9	VNB4375878	2	SET RED/WHITE PANELS 423X282	
10	VN37601015	1	REFELCTOR, RED- SELF ADHESIVE	
11	VNE4374586	1	HOLDER	
12	VNB4350486	1	SUPPORT	
13	VNB4375778	1	CABLE L=5000MM	
14	VN80504003	1	CABLE TIE 200X4,7 BLACK	
15	VNB3619878	1	DEVIDER BOX	
16	VNB4375678	1	CABLE L=500MM	
17	VN48523005	2	LAMP 12V5W/ BA 15 S	
18	VN48523002	2	BULB 12V-21W / BA15S	
19	VN48523001	1	BULB 12V-10W / BA15S	
20	VNB3620578	1	PROT. COVER TAIL LIGHT	
21	VNB3452378	1	REAR LIGHT RIGHT	
22	VNB4375578	1	CABLE L=2700MM	



EXTRA 124 / Part No Index

Part No.	Page	Pos No	Part No.	Page	Pos No	Part No.	Page	Pos No	Part No.	Page	Pos No	Part No.	Page	Pos No
ACCESSOIRE	11	1	KG00545061	7	11	KG01108300	11	21	KG01904500	14	18	KG01904500	14	18
ACCESSOIRE	11	2	KG00596100	3	29	KG01112900	3	25	KT10101000	4	27	KT10101000	4	27
ACCESSOIRE	11	3	KG00644981	7	38	KG01130500	4	13	KT10105000	5	25	KT10105000	5	25
ACCESSOIRE	11	4	KG00667461	10	7	KG01130900	4	17	KT2418200061	1	16	KT2418200061	1	16
ACCESSOIRE	11	5	KG00667561	7	36	KG01130900	5	3	KT2420900061	8	13	KT2420900061	8	13
ACCESSOIRE	12	1	KG00668961	7	35	KG01165000	4	9	KT2428200086	7	26	KT2428200086	7	26
ACCESSOIRE	13	1	KG00731463	10	19	KG01190000	3	60	KT2429300086	3	30	KT2429300086	3	30
ACCESSOIRE	13	2	KG00936500	3	6	KG01191862	2	13	KT2433400086	11	22	KT2433400086	11	22
ACCESSOIRE	14	1	KG01051961	7	33	KG01192062	2	14	KT2434400086	8	2	KT2434400086	8	2
ACCESSOIRE	14	2	KG01051961	13	8	KG01192300	3	23	KT2434500086	2	27	KT2434500086	2	27
ACCESSOIRE	15	1	KG01052161	10	17	KG01194362	3	34	KT2434600086	3	31	KT2434600086	3	31
KG00336261	2	8	KG01061461	2	26	KG01197100	3	24	KT2434700086	2	28	KT2434700086	2	28
KG00355261	8	11	KG01064161	7	23	KG01252661	1	23	KT2434800086	7	15	KT2434800086	7	15
KG00357661	2	25	KG01064261	7	16	KG01252661	3	53	KT24382000	8	14	KT24382000	8	14
KG00362061	2	30	KG01064261	10	18	KG01253761	2	32	KT2440900086	11	12	KT2440900086	11	12
KG00362061	3	48	KG01064261	11	25	KG01253761	3	3	KT2441000086	7	2	KT2441000086	7	2
KG00362061	8	10	KG01067361	10	23	KG01261761	1	19	KT2441000086	11	8	KT2441000086	11	8
KG00362661	3	32	KG01067561	7	12	KG01267461	7	24	KT2441300086	11	6	KT2441300086	11	6
KG00362861	3	46	KG01067561	10	8	KG01267461	10	10	KT2443200086	14	6	KT2443200086	14	6
KG00456461	4	16	KG01067661	10	11	KG01267561	3	11	KT2447200097	2	1	KT2447200097	2	1
KG00469161	10	22	KG01067961	1	20	KG01267561	3	18	KT2447300094	1	1	KT2447300094	1	1
KG00471961	13	3	KG01067961	2	29	KG01267561	7	17	KT2447400086	3	1	KT2447400086	3	1
KG00473961	5	13	KG01067961	3	33	KG01267561	7	29	KT2447500086	3	28	KT2447500086	3	28
KG00474261	10	9	KG01067961	3	49	KG01267561	11	26	KT2447600061	3	5	KT2447600061	3	5
KG00474361	4	21	KG01067961	3	51	KG01267761	3	58	KT2447700061	3	57	KT2447700061	3	57
KG00474361	8	9	KG01068861	2	9	KG01267861	1	21	KT2447900063	3	59	KT2447900063	3	59
KG00474461	13	6	KG01068861	8	8	KG01268161	3	4	KT2448000086	2	24	KT2448000086	2	24
KG00476261	5	21	KG01068861	13	7	KG01360700	4	18	KT24492000	8	4	KT24492000	8	4
KG00476661	3	17	KG01068961	3	19	KG01381100	3	40	KT24925000	4	1	KT24925000	4	1
KG00476661	11	31	KG01068961	7	30	KG01799100	4	3	KT38218000	14	12	KT38218000	14	12
KG00476761	3	20	KG01073361	11	24	KG01799200	4	8	KT42176000	11	30	KT42176000	11	30
KG00476761	10	16	KG01074461	3	10	KG01840800	5	4	KT4539500061	11	13	KT4539500061	11	13
KG00542161	5	26	KG01099300	3	42	KG01904200	3	56	KT45405000	11	18	KT45405000	11	18



EXTRA 124 / Part No Index

Part No.	Page	Pos No	Part No.	Page	Pos No	Part No.	Page	Pos No	Part No.	Page	Pos No
KT4540500061	11	18	KT55706100	6	4	KT99235524	9	8	KT99322670	7	3
KT45429000	7	25	KT55710200	6	3	KT99244330	9	1	KT99322670	11	15
KT4543100061	7	18	KT5572910061	5	5	KT99244582	9	2	KT99328825	7	19
KT4543100061	7	37	KT55769000	14	11	KT99244583	9	3	KT99330583	9	9
KT4543100061	11	23	KT5577300061	14	14	KT99244584	9	4	KT99331901	14	13
KT48953000	2	10	KT55994000	6	2	KT99244585	9	5	KT99331907	1	12
KT5512510086	7	21	KT5611030001	7	41	KT99244586	9	6	KT99333832	3	55
KT5513600094	7	8	KT5611040001	7	9	KT99244587	9	13	KT99333832	7	4
KT5513700086	7	6	KT5611050001	7	42	KT99244588	9	7	KT99333832	11	16
KT5513910086	7	22	KT5611090001	7	10	KT99244589	9	10	KT99333832	14	17
KT55154000	5	12	KT561149000	7	40	KT99244591	9	11	KT99350025	4	28
KT5515900086	5	14	KT5627100061	7	39	KT99244592	9	12	KT99352801	8	6
KT5517400061	14	10	KT56785000	7	7	KT99250427	4	10	KT99354026	4	6
KT55177000	14	9	KT5684010086	11	20	KT99250556	4	23	KT99354026	5	10
KT5518500086	14	5	KT56998000	14	4	KT99250592	4	4	KT99420109	5	7
KT55245300	6	1	KT60149000	2	16	KT99250910	4	2	KT99420109	7	14
KT5526900061	14	15	KT60245000	2	15	KT99250946	4	29	KT99420125	5	33
KT5532020086	5	1	KT6755820061	11	27	KT99250982	4	15	KT99420238	5	31
KT5539800061	14	16	KT9089800061	11	28	KT99251148	4	25	KT99420286	5	9
KT55399000	5	6	KT9512400086	10	13	KT99251168	4	19	KT99420286	7	13
KT55403000	5	23	KT9512500086	10	14	KT99251170	4	20	KT99424074	4	22
KT55640100	5	11	KT95128100	10	2	KT99251171	4	26	KT99452075	11	29
KT55641100	5	32	KT9513000080	10	3	KT99251172	4	14	KT99457134	5	24
KT55642100	5	2	KT95131000	10	1	KT99251301	4	11	KT99457135	5	28
KT55644000	5	30	KT9513300086	10	12	KT99251302	4	12	KT99458109	5	16
KT55646100	5	8	KT9513400086	10	15	KT99251303	4	7	KT99458238	10	24
KT5564900061	5	20	KT9513500086	10	6	KT99251304	4	30	KT99462633	5	17
KT55665000	5	18	KT95184100	10	25	KT99308826	7	5	KT99462718	5	15
KT556651000	5	19	KT95255000	10	21	KT99308826	14	8	VF01157402	3	37
KT55670000	5	22	KT96291000	10	5	KT99308828	11	7	VF06564448	1	5
KT55677300	4	5	KT96292000	10	4	KT99308830	11	32	VF06564448	2	22
KT5568820061	7	20	KT99106225	4	24	KT99308830	14	7	VF16620041	2	3
KT55695100	5	27	KT99155025	11	19	KT99308832	14	3	VGGF055	11	17

KT441613 < Mach. ID <=



EXTRA 124 / Part No Index

Part No.	Page	Pos No	Part No.	Page	Pos No	Part No.	Page	Pos No	Part No.	Page	Pos No
VN18612529	1	14	VN90083104	3	50	VNB1870178	1	9	VNB4363186	12	7
VN18620326	3	22	VN90083233	1	7	VNB18856	1	15	VNB4363186	15	4
VN19330150	1	26	VN90091569	1	4	VNB19786	1	8	VNB4364086	12	9
VN19342336	1	25	VN90091569	2	21	VNB2071774	3	54	VNB4364086	15	3
VN30263845	7	34	VN90091569	11	11	VNB20946	1	17	VNB4364586	12	6
VN30583100	11	14	VN97870841	13	9	VNB20994	1	24	VNB4364586	15	7
VN31415028	3	41	VN97870978	3	7	VNB2117194	3	47	VNB4374586	15	11
VN31425007	3	39	VN98613805	7	27	VNB2120686	3	9	VNB4375378	12	10
VN36107339	2	19	VN98613840	3	8	VNB2127786	3	15	VNB4375378	15	5
VN36129072	3	44	VN98615082	2	4	VNB2198393	3	12	VNB4375478	12	14
VN37601015	12	21	VN98615083	2	23	VNB2298793	3	2	VNB4375478	15	6
VN37601015	15	10	VN98621377	3	43	VNB2302386	2	33	VNB4375578	12	12
VN43301603	3	14	VN98630051	7	28	VNB2540293	3	52	VNB4375578	15	22
VN48523001	12	20	VN98630063	2	7	VNB2555178	13	4	VNB4375678	12	16
VN48523001	15	19	VN98661901	3	45	VNB2555386	13	5	VNB4375678	15	16
VN48523002	12	19	VN99460908	3	26	VNB2575286	3	35	VNB4375778	12	22
VN48523002	15	18	VN99770348	7	1	VNB2693386	8	5	VNB4375778	15	13
VN48523005	12	11	VN99770348	11	9	VNB2721886	8	1	VNB4375878	12	4
VN48523005	15	17	VNB0595493	3	36	VNB3452378	12	18	VNB4375878	15	9
VN80504003	12	15	VNB0595593	3	38	VNB3452378	15	21	VNB4499461	7	32
VN80504003	15	14	VNB1077102	2	20	VNB3619878	12	13			
VN90043838	1	2	VNB1285578	2	18	VNB3619878	15	15			
VN90044041	2	31	VNB1300594	3	13	VNB3620578	12	17			
VN90044252	2	6	VNB1302286	2	11	VNB3620578	15	20			
VN90044257	2	12	VNB1304793	2	5	VNB3621478	12	5			
VN90044288	1	22	VNB1306883	2	17	VNB3621478	15	8			
VN90044366	1	10	VNB1308086	8	3	VNB3621478	1	18			
VN90047781	1	27	VNB13103	1	11	VNB37370	3	21			
VN90047784	8	12	VNB1326493	1	3	VNB4005686	12	2			
VN90070335	3	27	VNB1347778	2	2	VNB4350486	15	12			
VN90081166	7	31	VNB1500193	1	6	VNB4350486	12	3			
VN90081324	3	16	VNB1500393	1	13	VNB4351286	12	8			
VN90081623	8	7	VNB1695586	11	10	VNB4363086	12	6			
						VNB4363086	15	2			



EXTRA 124

KT441613 < Mach. ID <=

Kverneland Group Kerteminde AS
Taarupstrandvej 25
DK-5300 Kerteminde
Denmark
+45 65 19 19 00
+45 65 19 19 99

© Kverneland Group

All rights reserved. No parts of this book may be reproduced, stored in a database or retrieval system, or published in any form or in any way, electronically, mechanically, optically, by print, photo print, microfilm (including micro and macro fiche), or any other means, including all video and CD systems, without prior written permission from the publisher.

Print date: 2013-08-27



