

## EXTRA 117

### Spare Parts Manual

Article number: 24041201 Index 2011-04  
Language: EN  
Production year (from): 2011  
Serial No. (from) KT 415.804< Mach. ID <=

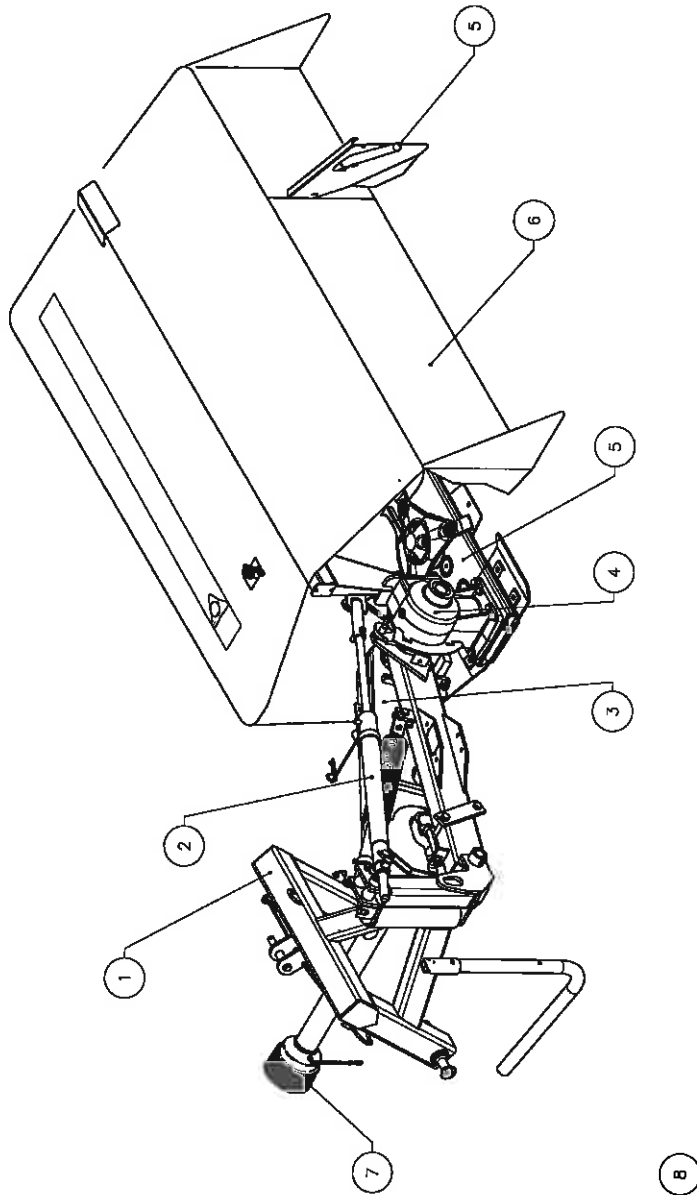




# EXTRA 117 / Table of Contents

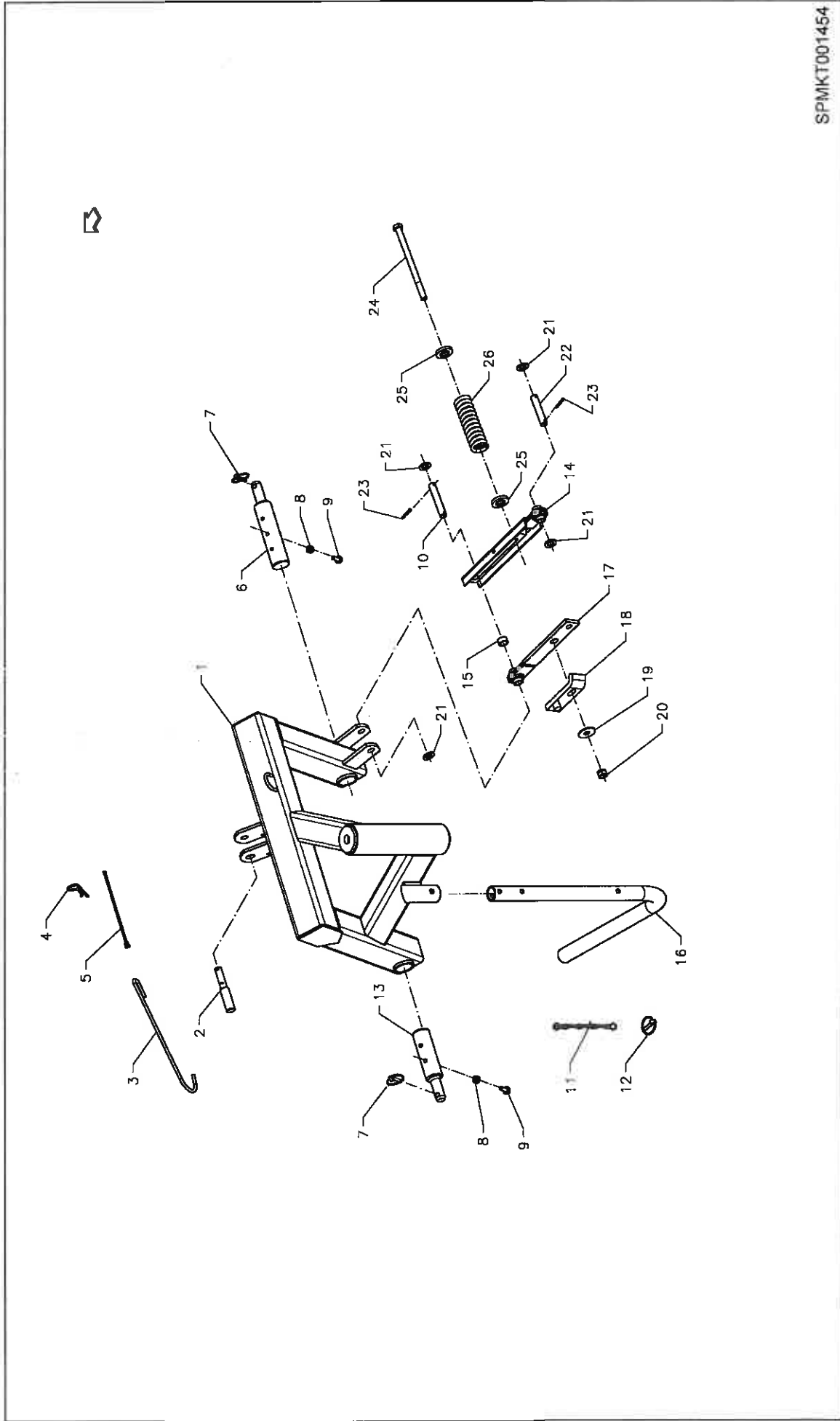


PosNo.	Assembly_group	Page
1	LINKAGE	1
2	HYDRAULIC	2
3	TRANSMISSION	3
4	GEAR BOX	4
5	CUTTERBAR, COMPLETE	5
5	CUTTERBAR, SPARE PARTS SET	6
5	TRANSMISSION, CUTTERBAR	7
5	TRANSMISSION, CUTTERBAR + EXPRESS	8
6	GUARD	9
7	P.T.O. SHAFT	10
8	OPTIONAL EQUIPMENT	11
8	OPTIONAL EQUIPMENT	12
8	OPTIONAL EQUIPMENT	13
8	OPTIONAL EQUIPMENT	14
8	OPTIONAL EQUIPMENT	15
8	OPTIONAL EQUIPMENT	16





# EXTRA 117 / Linkage



SPMKT001454

Page number: 1

KT 415.804 < Mach. ID <=

© Kverneland Group



# EXTRA 117 / Linkage

PosNo.	Part No.	Qty.	Description	Remark
1	KT2447300094	1	HITCH FRAME	
2	VN90043838	1	TOP PIN	
3	VNB1326493	1	HOOK	
4	VN90091569	1	SPRING	
5	VF06564448	1	CORD	
6	VNB2111593	1	HITCH PIN	
7	VN90083233	2	LOCKING PIN	
8	VNB1978693	2	BUSH	
9	VNB1870178	2	SELFLOCKING BOLT M10X30	
10	VN90044366	1	PIN	
11	VNB1310378	1	CHAIN	
12	KT99331907	1	SPLIT 10 - 60	
13	VNB2111693	1	LINKAGE PIN	
14	VN18612529	1	CONDUCTOR	
15	VNB1885693	1	BUSH	
16	KT2418200061	1	SUPPORT LEG	
17	VNB2094686	1	STRIP, BREAK AWAY	
18	VNB3737086	1	STOP	
19	KG01261761	1	WASHER M16X50 ST	
20	KG01067961	1	LOCK NUT M16 8	
21	KG01267861	4	WASHER M18	
22	VN90044288	1	PIN	
23	KG01252661	4	SPLIT PIN 5X32 ST	
24	VNB2099493	1	BOLT M16X250	
25	VN19342336	2	RING	
26	VN19330150	1	SPRING	



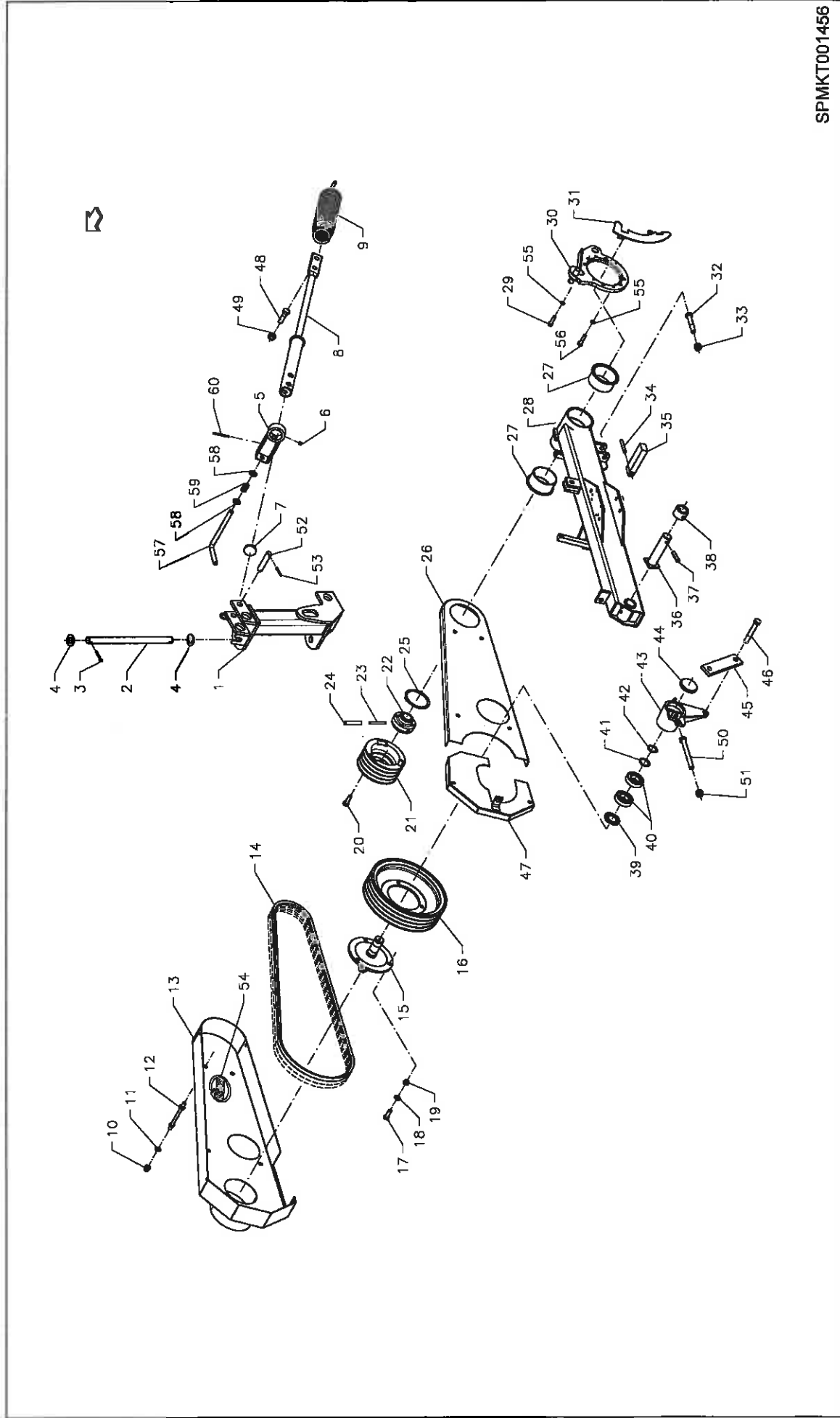


# EXTRA 117 / Hydraulic

PosNo.	Part No.	Qty.	Description	Remark
1	KT2447200097	1	HYDR. CYLINDER	
2	KG00357661	2	HEX. BOLT M12X55 8.8	
3	KG01061461	2	LOCK NUT M12 10	
4	KT2434500086	2	ARM	
5	KT2434700086	2	STOP	
6	KG01067961	1	LOCK NUT M16 8	
7	KG00362061	1	HEX. BOLT M16X55 8.8	
8	KG00355461	1	HEX. BOLT M10X50 8.8	
9	KG01068861	1	LOCK NUT M10 10 DIN 985 GALV.	
10	KT48953000	1	LINE	
11	VNB1302286	1	SUPPORT	
12	VN90044085	1	PIN	
13	KG01191862	1	TENSION PIN 8X40	
14	KG01192062	2	TENSION PIN 8X50	
15	KT60245000	1	PROTECTION CAP	
16	VN38854081	1	COUPLING MALE G1/2	
17	VNB1306893	1	REDUCTION NIPPLE G1/2"-M14X1.5	
18	VNB1285578	1	HYDR. HOSE 1/4" L = 2000	
19	VN36107339	1	O-RING 3.68 X 1.78	
20	VNB1077102	1	RESTRICTOR	
21	VN90091569	1	SPRING	
22	VF06564448	1	CORD	
23	VN98614940	1	PIPE	
24	KT2448000086	1	TRANSPORT LOCK	
25	VNB1347778	1	SEAL SET	
26	VF16620041	1	PLATE	
27	VN90044041	1	PIN	
28	KG01253761	4	SPLIT PIN 6.3X40 ST	



# EXTRA 117 / Transmission



SPMKT001456

Page number: 3

KT 415.804 < Mach. ID <=

© Kverneland Group



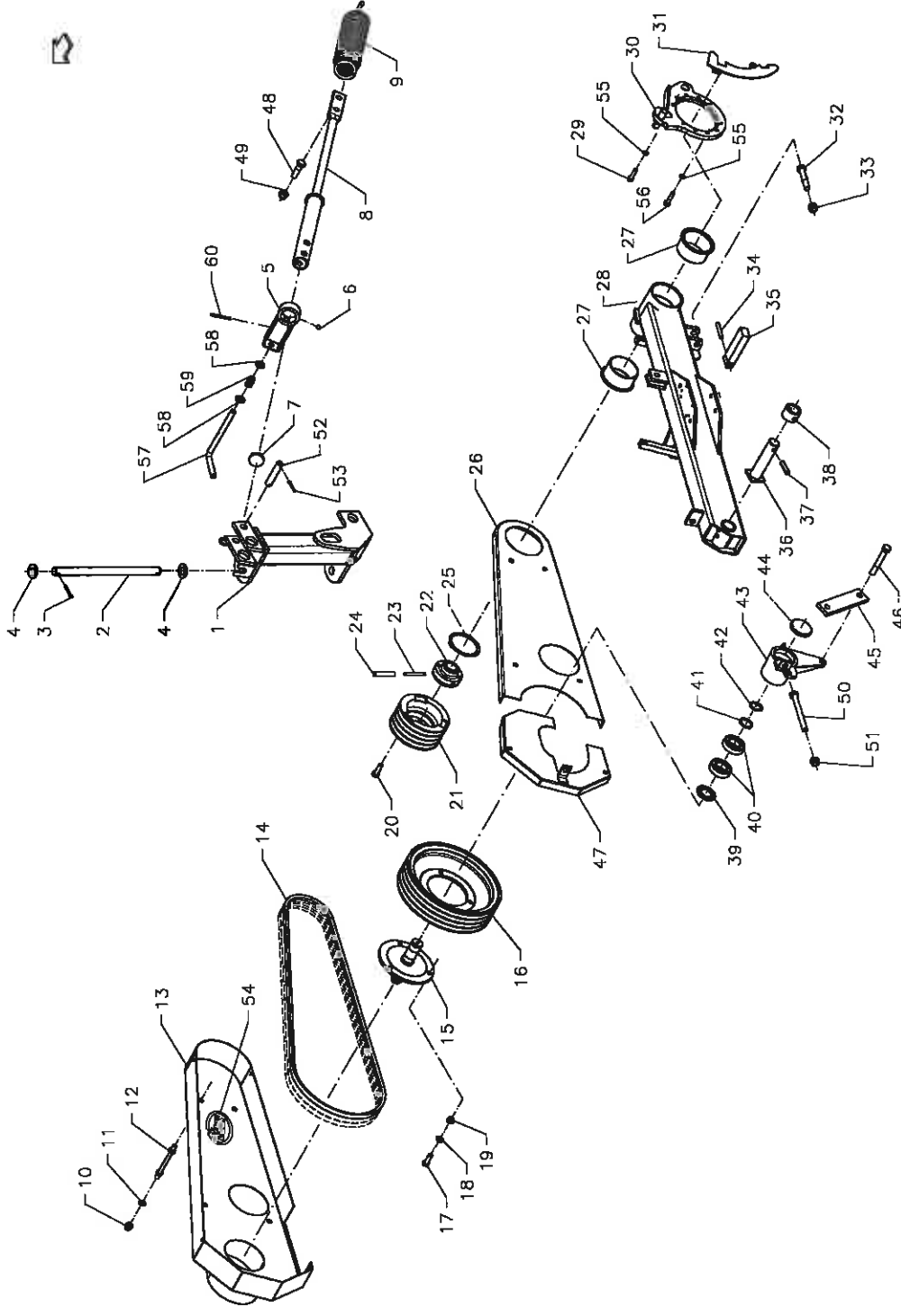


# EXTRA 117 / Transmission

PosNo.	Part No.	Qty.	Description	Remark
1	KT2447400086	1	INTERMEDIATE FRAME EXTRA 100	
2	VNB2298793	1	SHAFT	
3	KG01253761	4	SPLIT PIN 6.3X40 ST	
4	KG01268161	2	WASHER M24	
5	KT2447600061	1	TRANSPORT LOCK	
6	KG00936500	1	SET SCREW M10X12 45H	
7	VN97870978	1	CAP	
8	VN98613840	1	BLOCKING ROD	
9	VN98633023	1	SPRING, EXTENSION	
10	KG01074461	4	CAP NUT M12 6	
11	KG01267561	4	WASHER M12	
12	VNB2198393	4	DISTANCE BOLT	
13	VNB1300594	1	GUARD	
14	VN43301603	3	V-BELT B2360	
15	VNB2127786	1	SHAFT, SPLINED	
16	VN9008115901	1	V-BELT PULLEY	
17	KG00476661	3	HEX. SCREW M12X35 8.8	
18	KG01267561	3	WASHER M12	
19	KG01068961	3	LOCK NUT M12 10	
20	KG00476761	4	HEX. SCREW M12X40 8.8	
21	VN1862032801	1	V-BELT PULLEY	
22	VN1862032601	1	HUB	
23	KG01192300	1	TENSION PIN 8X80	
24	KG01197100	1	TENSION PIN 14X80	
25	KG01112900	1	CIRCLIP-A 95 X 3	
26	VN99460908	1	GUARD	
27	VN90070335	2	PLASTIC BUSHING	
28	KT2447500086	1	SWING FRAME EXTRA 100	
29	KG00596100	8	CHEESE HEAD SCREW M10X40 12.9	
30	KT2429300086	1	BRACKET	
31	KT2434600086	1	PROTECTION PLATE	
32	KG00362661	1	HEX. BOLT M16X90 8.8	
33	KG01067961	2	LOCK NUT M16 8	
34	KG01194362	1	TENSION PIN 10X70	
35	VNB2575286	1	STOP	
36	VNB0595493	1	PIN	
37	VF01157402	1	DOWEL PIN	
38	VNB0595593	1	BUSH	
39	VN31425007	1	WASHER 6207 AV	
40	KG01381100	2	BALL BEARING 6207-2RS	



# EXTRA 117 / Transmission



SPMKT001456



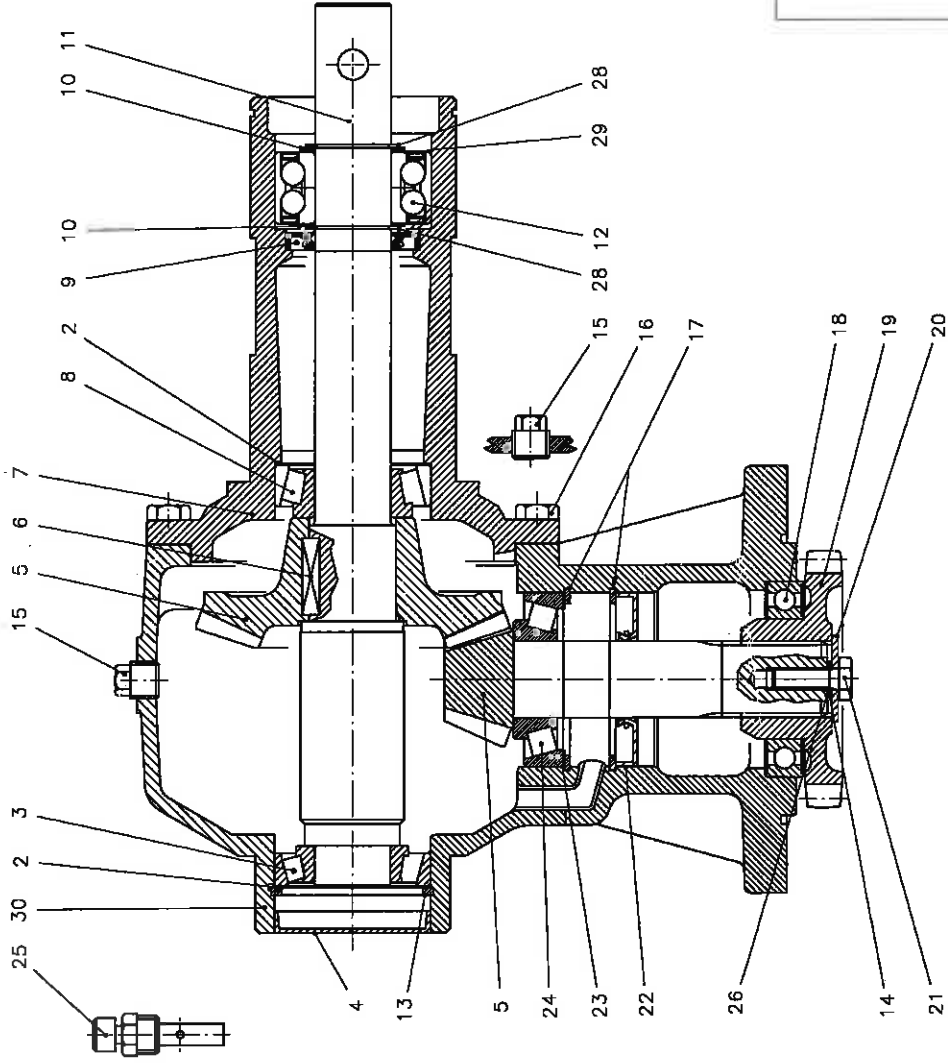
## EXTRA 117 / Transmission

PosNo.	Part No.	Qty.	Description	Remark
41	VN31415028	1	RING, SUPPORTING 35X45X2.5	
42	KG01099300	1	CIRCLIP-A 35 X 2.5	
43	VN98621377	1	HUB	
44	VN36129072	1	CAP 72	
45	VN98661901	1	STRIP	
46	KG00362861	2	HEX. BOLT M16X110 8.8	
47	VNB2117194	1	COVER	
48	KG00362061	1	HEX. BOLT M16X55 8.8	
49	KG01067961	1	LOCKNUT M16 8	
50	VN90083104	1	BOLT	
51	KG01067961	1	LOCK NUT M16 8	
52	VNB2540293	1	PIN	
53	KG01252661	2	SPLIT PIN 5X32 ST	
54	VNB2071774	1	DECAL	
55	KT99333832	10	LOCK WASHER 10.3 X 16.6 NORDLOCK	
56	KG01904200	2	CHEESE HEAD SCREW M10X45 12.9	
57	KT2447700061	1	BOLT	
58	KG01267761	2	WASHER M16	
59	KT2447900063	1	SPRING	
60	KG01190000	1	TENSION PIN 6X70	



# EXTRA 117 / Gear box

Complete No. 1



SPMKT001457



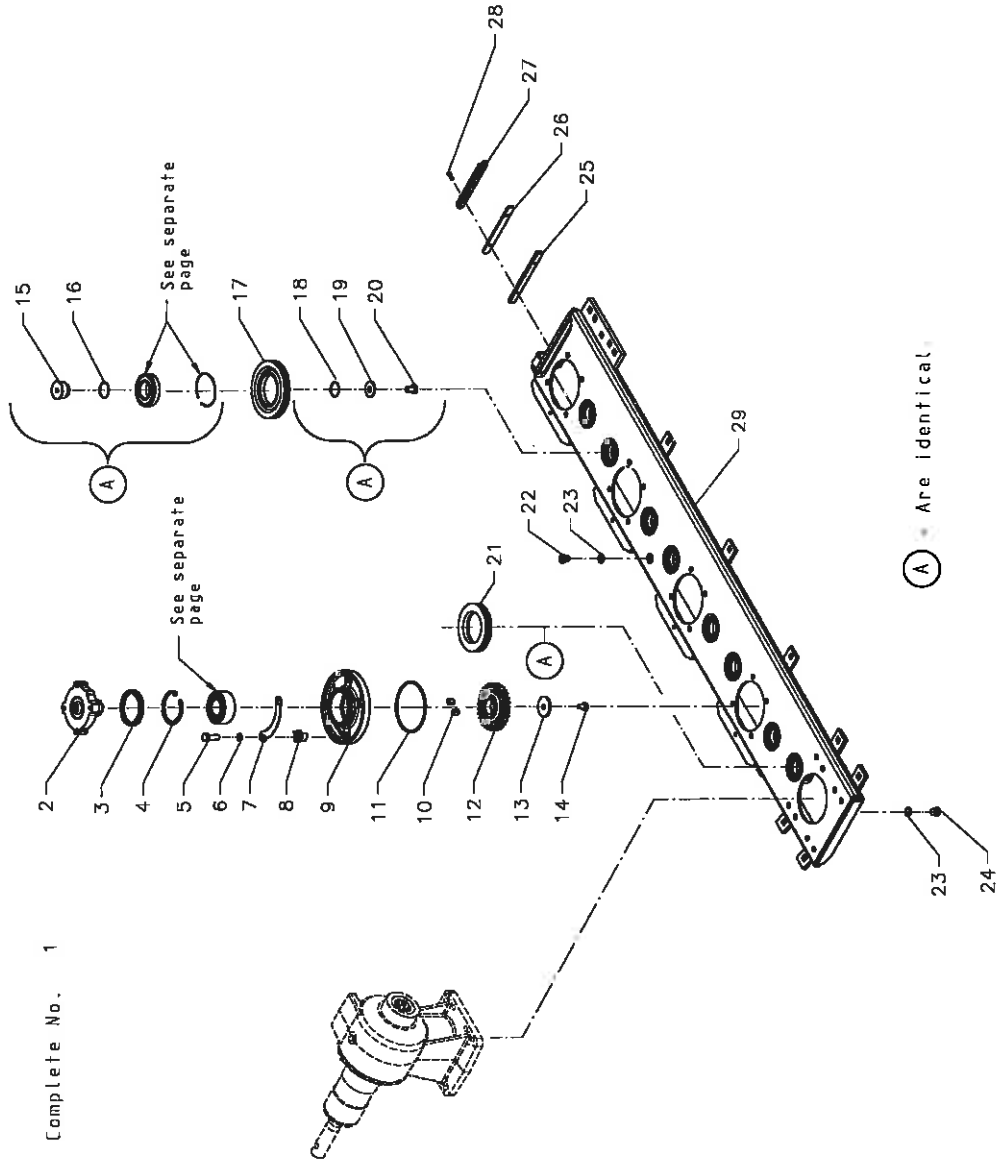
# EXTRA 117 / Gear box

PosNo.	Part No.	Qty.	Description	Remark
1	KT24925000	1	BEVEL GEAR, COMPLETE	
2	KT99250910	2	WASHER	
3	KG01799100	1	TAPER ROLLER BEARING 30207	
4	KT99250592	1	COVER	
5	KT55677300	1	GEAR WHEEL SET Z = 13/36	
6	KT99354026	1	PARALLEL KEY	
7	KT99251303	1	EXTENSION	
8	KG01799200	1	TAPER ROLLER BEARING 32207	
9	KG01165000	1	PIN 3X12 ST	
10	KT99250427	2	SHIM	
11	KT99251301	1	SHAFT	
12	KT99251302	1	BEARING BAH-0013	
13	KG01130500	1	CIRCLIP-B 72 X 2.5	
14	KT99251172	1	SHIM 10,2 X 17,8	
15	KT99250982	2	OIL PLUG 3/8"	
16	KG00456461	6	HEX. SCREW M10X25 10.9	
17	KG01130900	2	CIRCLIP-B 80 X 2.5	
18	KG01360700	1	BALL BEARING 6011-2RS	
19	KT99251168	1	TOOTH WHEEL Z=31	
20	KT99251170	1	WASHER	
21	KG00474361	1	HEX. SCREW M10X30 8.8	
22	KT99424074	1	OIL SEAL 35/80-10	
23	KT99250556	1	WASHER (DISC) Ø79,9	
24	KT99106225	1	ROLLER BEARING 30307	
25	KT99251148	1	AIRPLUG 3/8"	
26	KT99251171	1	SHIM 10,2 X 17,8	
27	KT10101000	1	OIL CAN 1 LTR.	
28	KT99350025	2	U 35 CIRCLIP	
29	KT99250946	1	WASHER Ø35,3-Ø48	
30	KT99251304	1	GEAR BOX CASING	



# EXTRA 117 / Cutterbar, complete

Complete No. 1



SPMKT001461

Page number: 5

KT 415.804 < Mach. ID <=

© Kverneland Group



# EXTRA 117 / Cutterbar, complete

PosNo.	Part No.	Qty.	Description	Remark
1	KT2437010086	1	4-DISC CUTTERBAR, COMPLETE	
2	KT5512310001	4	HUB	
3	KT99421068	4	SEALING RING 75A	
4	KG01130900	4	CIRCLIP-B 80 X 2.5	
5	KG01840800	20	HEX. SCREW M12X35 10.9 4017	
6	KT99420109	20	OIL SEAL Ø10,69X3,53	
7	KT55729100	10	LOCK PLATE	
8	KT5564610001	20	NUT	
9	KT5512200001	4	CASING	
10	KT99354123	8	KEY B10-8-16	
11	KT99420286	4	OIL SEAL Ø120,24X3,53	
12	KT5574920001	4	GEAR WHEEL Z=31	
13	KT5515400001	4	WASHER 11/50-4	
14	KG00473961	4	HEX. SCREW M10X16 8.8	
15	KT5564400001	8	AXLE JOURNAL	
16	KT99420238	8	OIL SEAL Ø37,1 X 1,6	
17	KT5564110001	7	GEAR WHEEL Z=39	
18	KT99420125	8	OIL SEAL Ø34,2X3	
19	KT5567000001	8	WASHER	
20	KG00476261	8	HEX. SCREW M12X20 8.8	
21	KT5564210001	1	GEAR WHEEL Z=32	
22	KT99462633	1	PLUG M16X1,5	
23	KT99462718	2	DISC Ø16-Ø22X1	
24	KT99458109	1	TUBE PLUG M16X1,5	
25	KT55650000	1	LUG	
26	KT55651000	1	GASKET	
27	KT5564900061	1	COVER	
28	KG00542161	2	CHEESE HEAD SCREW M5X16 8.8	
29	KT2436100086	1	4-DISCS CUTTERBAR, COMPLETE	
30	KT99457134	1	LOCTITE TUBE 3 G	
31	KT99457135	1	LOCTITE TUBE 10 G	
32	KT10105000	1	OIL CAN 5 LTR.	





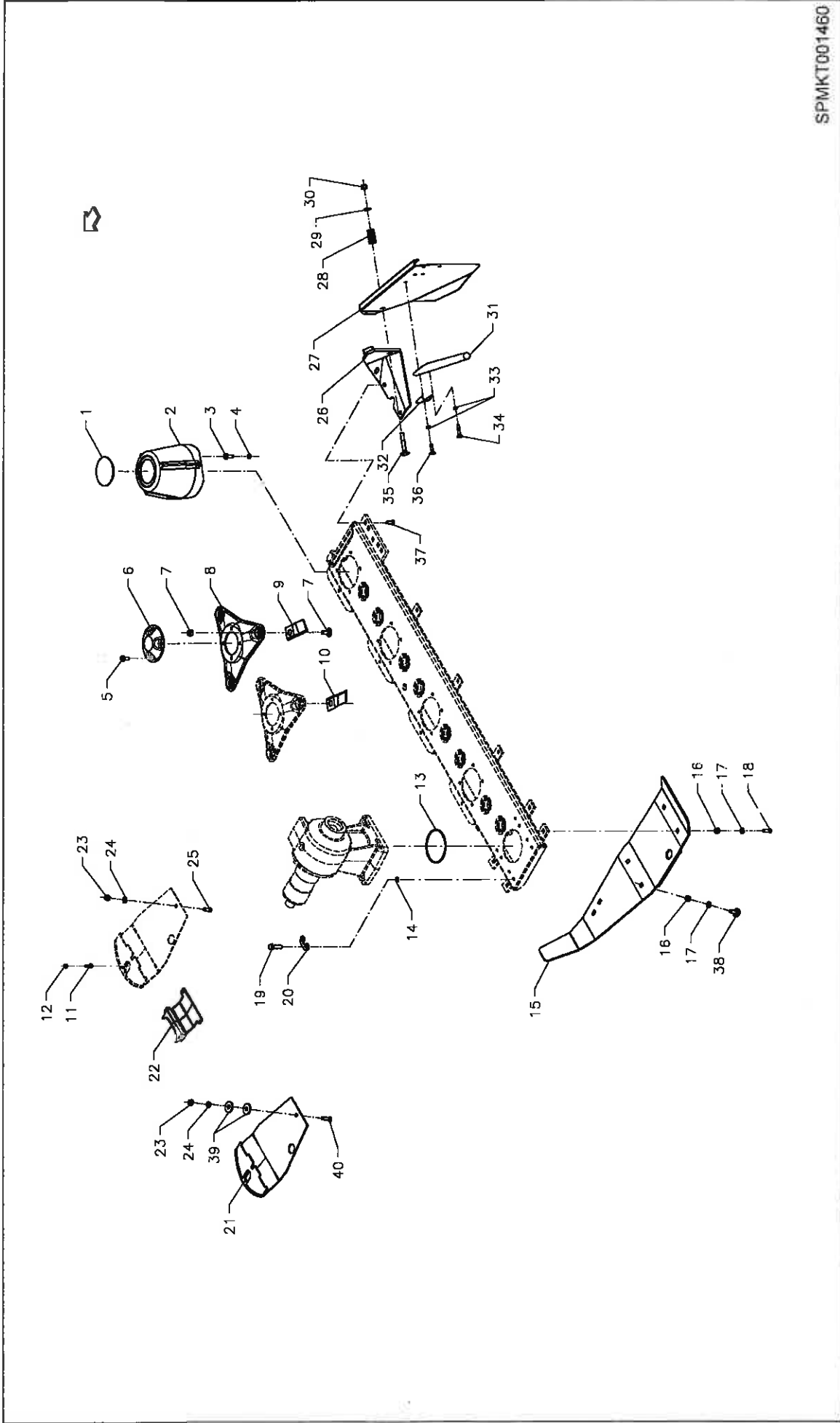


# EXTRA 117 / Cutterbar, spare parts set

PosNo.	Part No.	Qty.	Description	Remark
1	KT55244200	1	CASING WITH 2 KEYS, COMPLETE	
2	KT55705300	1	SPARE PARTS SET	
3	KT55706100	1	SET OF BEARING	
4	KT55710300	1	GASKET KIT	



# EXTRA 117 / Transmission, cutterbar



SPMKT001460

Page number: 7

KT 415.804 < Mach. ID <=

© Kverneland Group

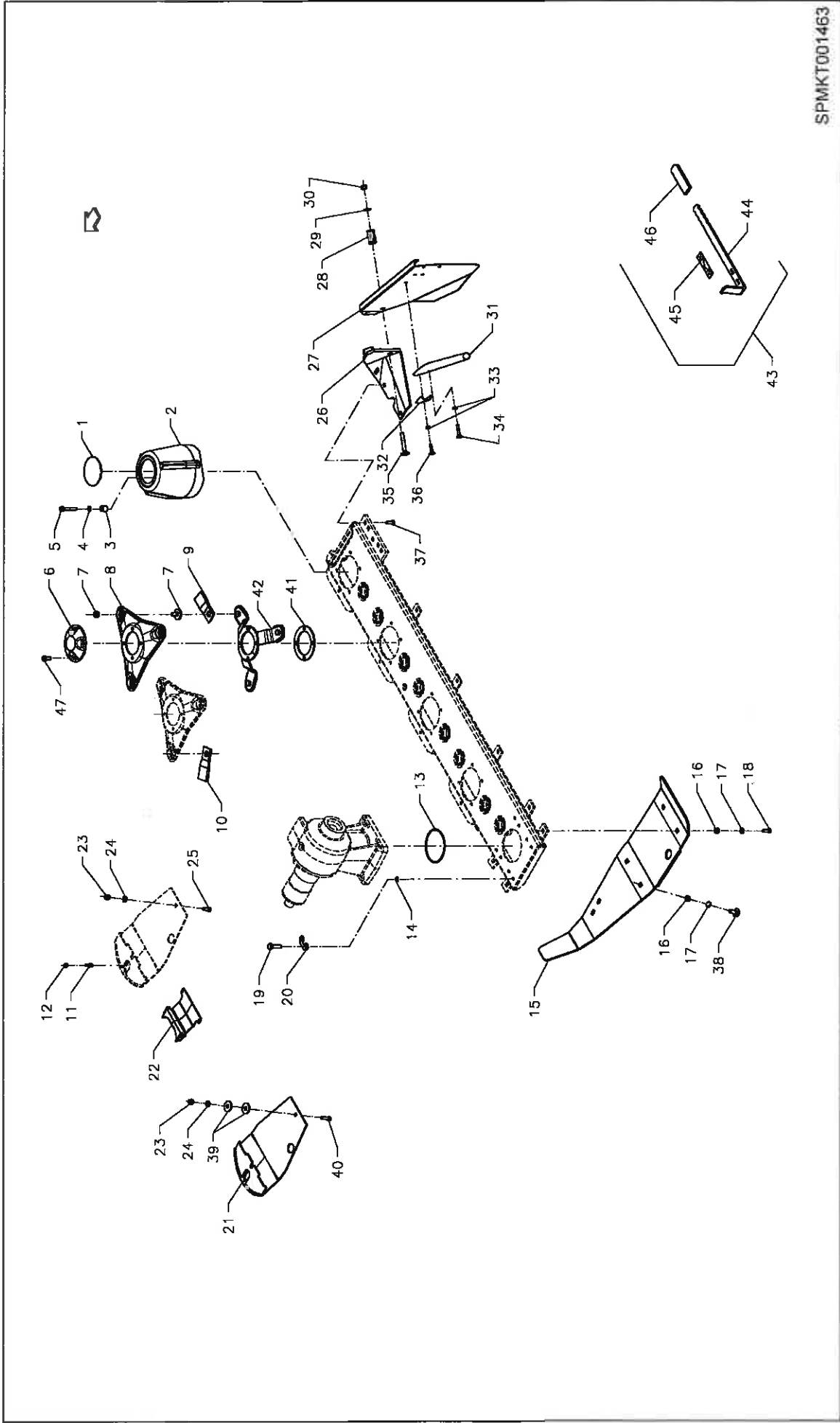


# EXTRA 117 / Transmission, cutterbar

PosNo.	Part No.	Qty.	Description	Remark
1	VN99770348	1	CAP	
2	KT2441000086	1	CONE, TRIANGULAR DISC	
3	KT99322670	4	STEELSET SCREW M10X25 12.9	
4	KT99333832	4	LOCK WASHER 10,3 X 16,6 NORDLOCK	
5	KT98308826	16	STEEL BOLT (VERBUS RIBB BOLT) M10X20	
6	KT5513700086	3	COVER	
7	KT56785000	1	KNIFE BOLT KIT CPL. (25 PCS.)	
8	KT5513600094	4	CUTTING DISC	
9	KT5611040001	6	KNIFE RH (126 MM)	
10	KT5611090001	6	KNIFE, LH (126 MM)	
11	KG00545061	4	CHEESE HEAD SCREW M8X20 8.8	
12	KG01067561	4	LOCK NUT M8 8	
13	KT99420286	1	OIL SEAL Ø120,24X3,53	
14	KT99420109	8	OIL SEAL Ø10,69X3,53	
15	KT2434800086	1	SKID	
16	KG01064261	4	LOCK NUT M12 8	
17	KG01267561	4	WASHER M12	
18	KT4543100061	2	PLOUGH BOLT M12X35	
19	KT99328825	8	STEEL BOLT	
20	KT5568820061	4	LOCK PLATE	
21	KT5512510086	4	WEARING SOLE	
22	KT5513910086	3	COUNTER KNIFE	
23	KG01064161	4	LOCK NUT M10 8	
24	KG01267461	4	WASHER M10	
25	KT45429000	3	PLOUGH BOLT M10-30	
26	KT2428200086	1	BRACKET, RH	
27	VN98613805	1	SWATHBOARD	
28	VN98630051	1	SPRING, COMPRESSION	
29	KG01267561	1	WASHER M12	
30	KG01068961	3	LOCK NUT M12 10	
31	VN90081166	1	SWATH STICK	
32	VNB4499461	1	CAP	
33	KG01051961	2	HEX. NUT M8 8	
34	VN30263845	1	CARRIAGE BOLT M8X45/4,6 GALV.	
35	KG00668961	1	CARRIAGE BOLT M12X80 4.6	
36	KG00667561	1	CARRIAGE BOLT M8X35 4.6	
37	KT4543100061	2	PLOUGH BOLT M12X35	
38	KG00644961	2	CARRIAGE BOLT M12X35 8.8	
39	KT5627100061	2	WASHER Ø13-Ø40X4	
40	KT56149000	1	PLOUGH BOLT M10-40	



# EXTRA 117 / Transmission, cutterbar + Express



SPMKT001463

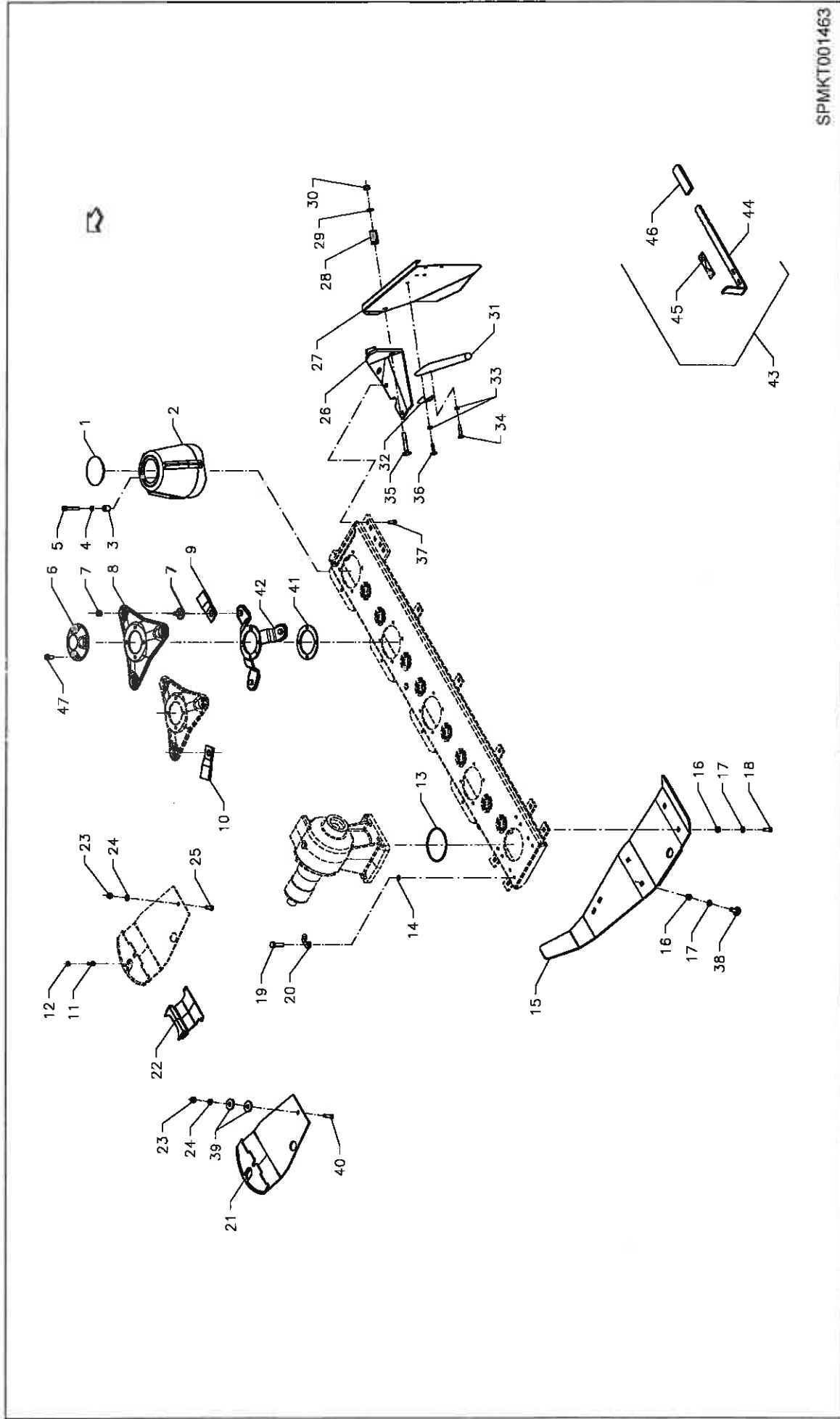


# EXTRA 117 / Transmission, cutterbar + Express

PosNo.	Part No.	Qty.	Description	Remark
1	VN99770348	1	CAP	
2	KT2441000086	1	CONE, TRIANGULAR DISC	
3	KT5539800061	4	BUSHING	
4	KT99333832	4	LOCK WASHER 10,3 X 16,6 NORDLOCK	
5	KG01904500	4	CHEESE HEAD SCREW M10X60 12.9	
6	KT5513700086	3	COVER	
7	KT56998000	1	KIT OF KNIFE BOLT (25 PCS.)	
8	KT5513600094	4	CUTTING DISC	
9	KT5611040001	6	KNIFE RH (126 MM)	
10	KT5611090001	6	KNIFE, LH (126 MM)	
11	KG00545061	4	CHEESE HEAD SCREW M8X20 8.8	
12	KG01067561	4	LOCK NUT M8 8	
13	KT99420286	1	OIL SEAL Ø120,24X3,53	
14	KT99420109	8	OIL SEAL Ø10,69X3,53	
15	KT2434800086	1	SKID	
16	KG01064261	4	LOCK NUT M12 8	
17	KG01267561	4	WASHER M12	
18	KT4543100061	2	PLOUGH BOLT M12X35	
19	KT99328825	8	STEEL BOLT	
20	KT5568820061	4	LOCK PLATE	
21	KT5512510086	4	WEARING SOLE	
22	KT5513910086	3	COUNTER KNIFE	
23	KG01064161	4	LOCK NUT M10 8	
24	KG01267461	4	WASHER M10	
25	KT45429000	3	PLOUGH BOLT M10-30	
26	KT2428200086	1	BRACKET, RH	
27	VN98613805	1	SWATHBOARD	
28	VN98630051	1	SPRING, COMPRESSION	
29	KG01267561	1	WASHER M12	
30	KG01068961	3	LOCK NUT M12 10	
31	VN90081166	1	SWATH STICK	
32	VNB4499461	1	CAP	
33	KG01051961	2	HEX. NUT M8 8	
34	VN30263845	1	CARRIAGE BOLT MBX45/4.6 GALV.	
35	KG00668961	1	CARRIAGE BOLT M12X80 4.6	
36	KG00667561	1	CARRIAGE BOLT MBX35 4.6	
37	KT4543100061	2	PLOUGH BOLT M12X35	
38	KG00644961	2	CARRIAGE BOLT M12X35 8.8	
39	KT5627100061	2	WASHER Ø13-Ø40X4	
40	KT56149000	1	PLOUGH BOLT M10-40	



# EXTRA 117 / Transmission, cutterbar + Express



SPMKT001463

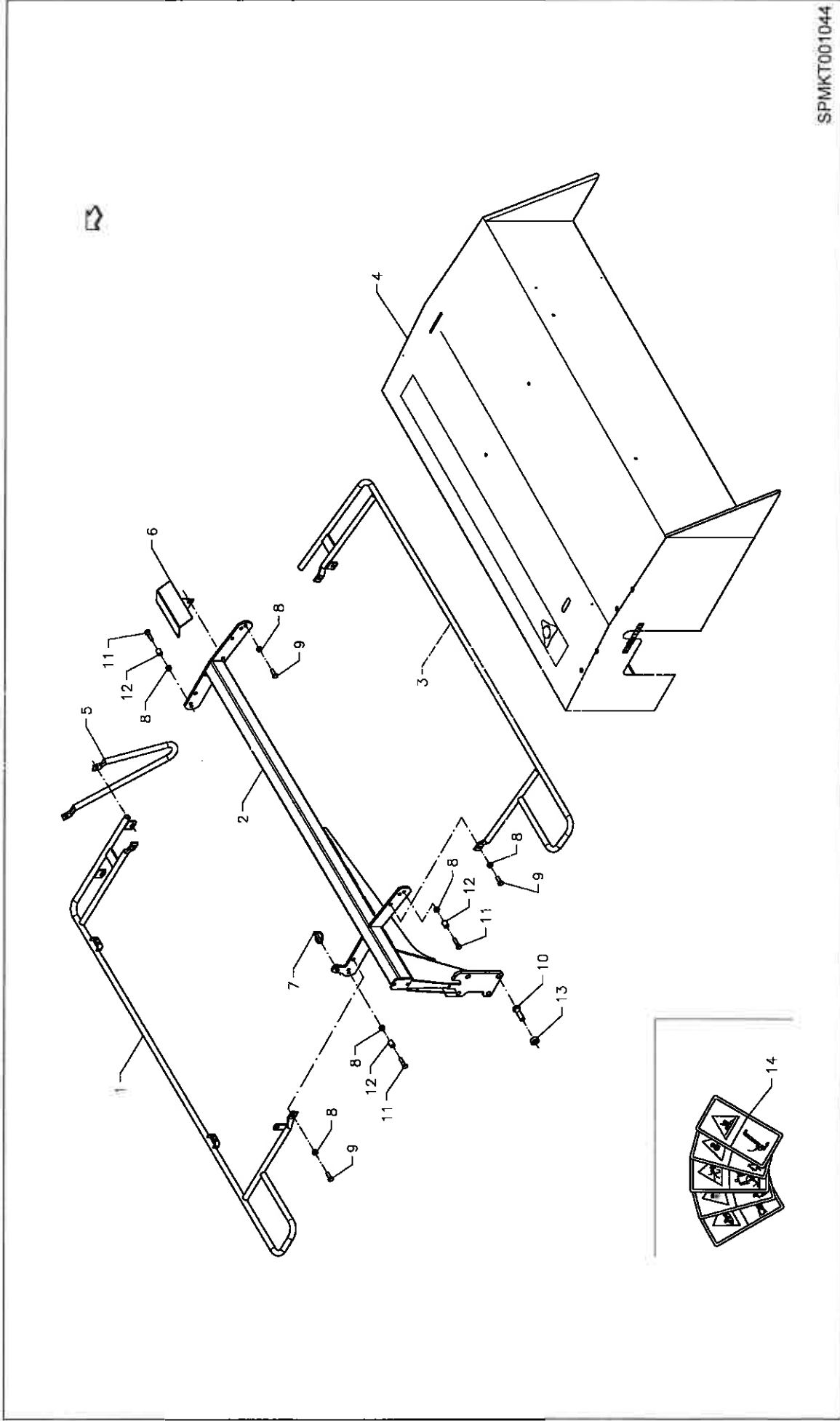


# EXTRA 117 / Transmission, cutterbar + Express

PosNo.	Part No.	Qty.	Description	Remark
41	KT5526900061	4	WASHER 4MM (EXPRESS)	
42	KT5518500086	4	SPRING, COMPLETE	
43	KT55177000	1	TOOL COMPLETE	
44	KT5517400061	1	TOOL	
45	KT55769000	1	DECAL	
46	KT38218000	1	PLASTIC HANDLE	
47	KT99308832	12	STEEL BOLT M10X35 10.9(VERBUS RIBB BOLT)	



EXTRA 117 / Guard



SPMKT001044



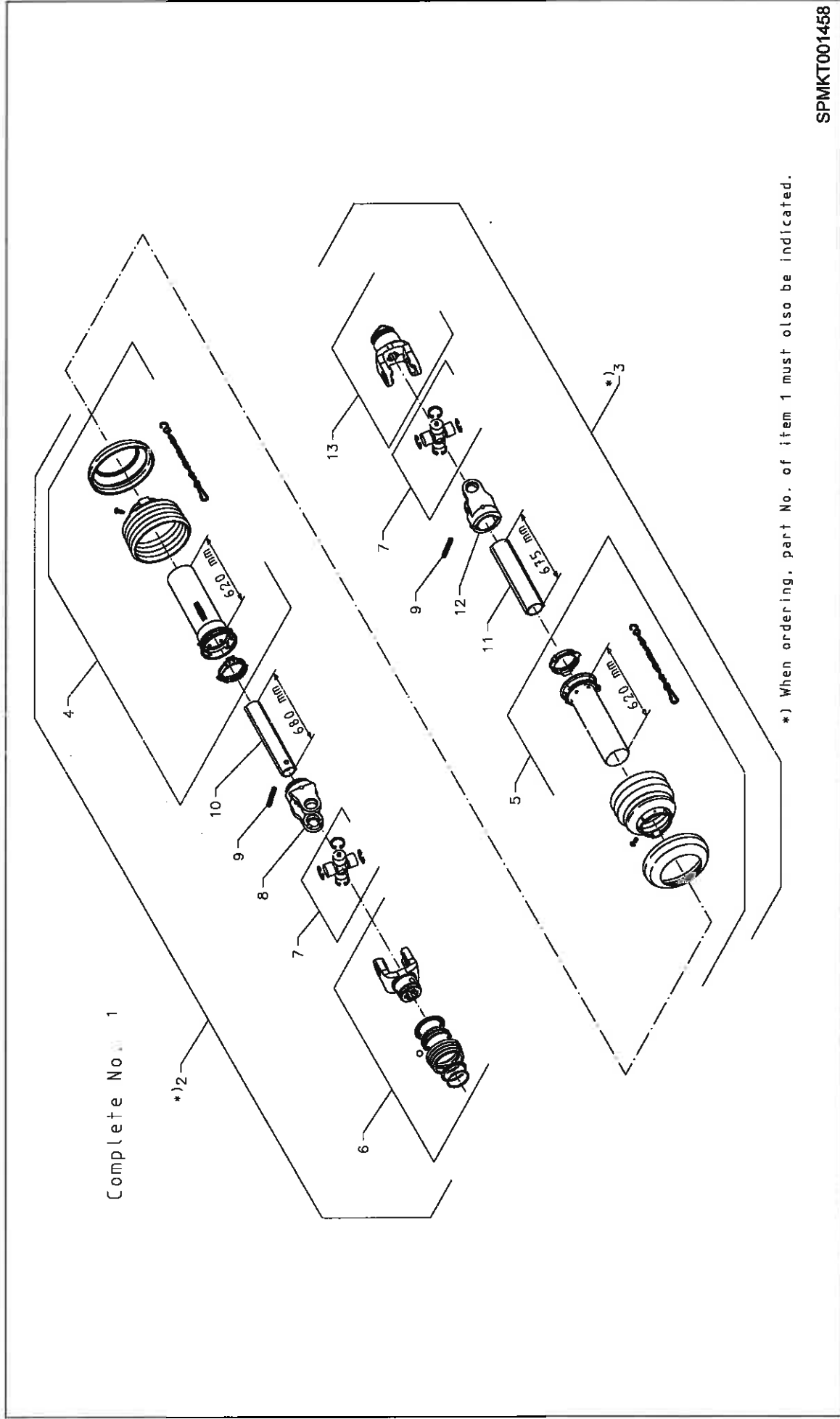


# EXTRA 117 / Guard

PosNo.	Part No.	Description	Qty.	Remark
1	VNB2721686	GUARD FRAME	1	
2	KT2436300086	UPRIGHT	1	
3	VNB1308286	FRAME	1	
4	KT24391000	TARPAULIN	1	
5	VNB2693386	BRACKET	1	
6	VNB1194586	DECAL HOLDER	1	
7	VN90081623	LYNCH PIN	1	
8	KG01068861	LOCK NUT M10 10 DIN 985 GALV.	16	
9	KG00474361	HEX. SCREW M10X30 8.8	9	
10	KG00362061	HEX. BOLT M16X55 8.8	4	
11	KG00355261	HEX. BOLT M10X40 8.8	3	
12	VN90047784	BUSH	3	
13	KT2420900061	BUSHING	4	
14	KT24382000	DECAL KIT	1	



# EXTRA 117 / P.T.O. shaft



SPMKT001458

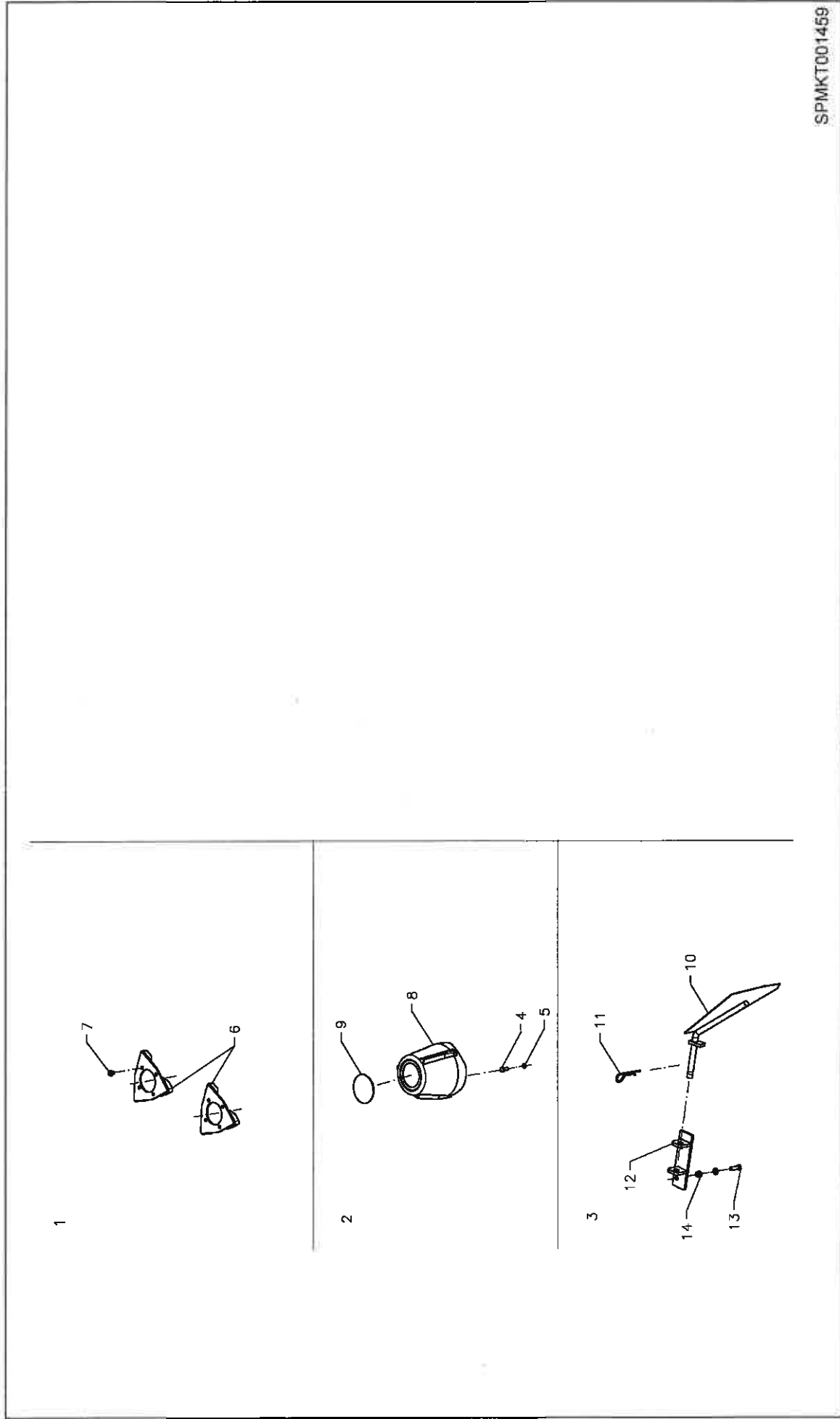


# EXTRA 117 / P.T.O. shaft

PosNo.	Part No.	Qty.	Description	Remark
1	KT99244330	1	PTO SHAFT W2300 SD15SW 810 F5/1R	Walterscheid No. 149884
2	KT99244582	1	PTO SHAFT INNER HALF, COMPLETE	
3	KT99244583	1	PTO SHAFT OUTER HALF, COMPLETE	
4	KT99244584	1	INNER PROTECTION TUBE, COMPLETE	Walterscheid No. 116169
5	KT99244585	1	INNER PROTECTION TUBE, COMPLETE	Walterscheid No. 116170
6	KT99244586	1	YOKE, COMPLETE	Walterscheid No. 133834
7	KT99244588	2	CROSS, COMPLETE	Walterscheid No. 116403
8	KT99235524	1	YOKE	Walterscheid No. 041315
9	KT99330583	2	PIPE PIN	Walterscheid No. 020614
10	KT99244589	1	INNER PROFILE TUBE	Walterscheid No. 135936
11	KT99244591	1	OUTER PROFILE TUBE	Walterscheid No. 136155
12	KT99244592	1	YOKE	Walterscheid No. 041318
13	KT99244587	1	OVERRUN CLUTCH	Walterscheid No. 172630



# EXTRA 117 / Optional equipment



SPMKT001459

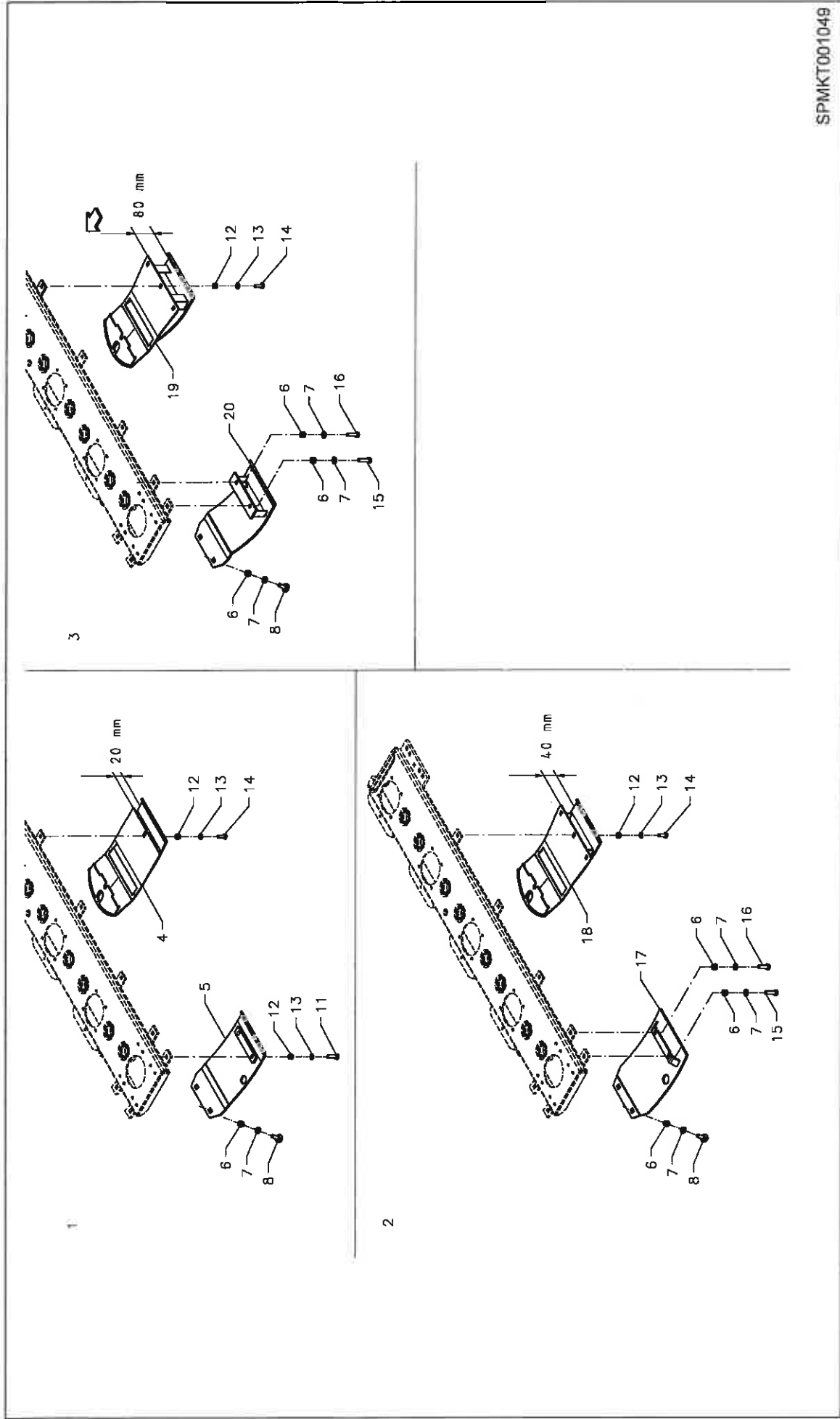


## EXTRA 117 / Optional equipment

PosNo.	Part No.	Qty.	Description	Remark
1	ACCESSOIRE	1	PLEASE CONTACT YOUR DEALER	
2	ACCESSOIRE	1	PLEASE CONTACT YOUR DEALER	
3	ACCESSOIRE	1	PLEASE CONTACT YOUR DEALER	
4	KT99322670	4	STEELSET SCREW M10X25 12.9	
5	KT99333832	4	LOCK WASHER 10,3 X 16,6 NORDLOCK	
6	KT2441300086	2	CONE, LOW	
7	KT99308828	8	STEEL BOLT M10X25 10.9	
8	KT2441000086	1	CONE, TRIANGULAR DISC	
9	VN99770348	1	CAP	
10	VNB1695586	1	SWATH BOARD	
11	VN90091569	1	SPRING	
12	KT2440900086	1	BRACKET, LH SWATH BOARD	
13	KT4539500061	2	PLOUGH BOLT M12-45	
14	VN30583100	2	TENSILOCKNUT M10/K10 GALV.	



# EXTRA 117 / Optional equipment



SPMKT001049

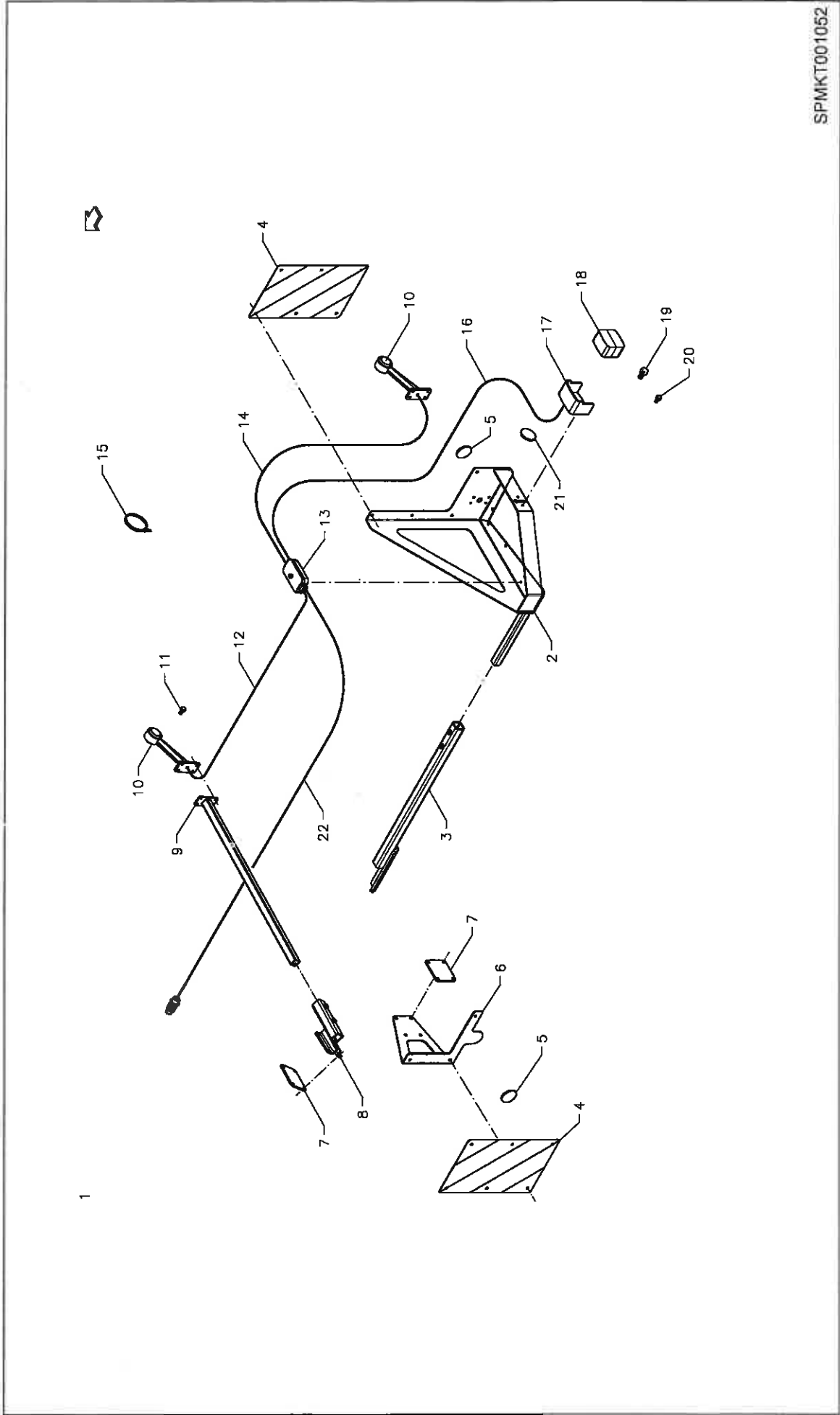


## EXTRA 117 / Optional equipment

PosNo.	Part No.	Qty.	Description	Remark
1	ACCESSOIRE	1	PLEASE CONTACT YOUR DEALER	
2	ACCESSOIRE	1	PLEASE CONTACT YOUR DEALER	
3	ACCESSOIRE	1	PLEASE CONTACT YOUR DEALER	
4	KT5535000086	1	HIGH STONE GUARD 20MM	
5	KT2434200086	1	HIGH STONE GUARD 20MM	
6	KG01064261	2	LOCK NUT M12 8	
7	KG01267561	2	WASHER M12	
8	KG00645061	2	CARRIAGE BOLT M12X40 8.8	
11	KT33501000	2	PLOUGHBOLT	
12	KG01064161	3	LOCK NUT M10 8	
13	KG01267461	3	WASHER M10	
14	KG00474361	1	HEX. SCREW M10X30 8.8	
15	KG00476861	1	HEX. SCREW M12X45 8.8	
16	KG00476761	1	HEX. SCREW M12X40 8.8	
17	KT5657630086	1	WEARING PLATE	
18	KT5524000086	1	HIGH STONE GUARD 40 MM	
19	KT5515300086	1	HIGH STONE GUARD 80 MM	
20	KT2428400086	1	WEARING PLATE	



EXTRA 117 / Optional equipment



SPMIKT001052





## EXTRA 117 / Optional equipment

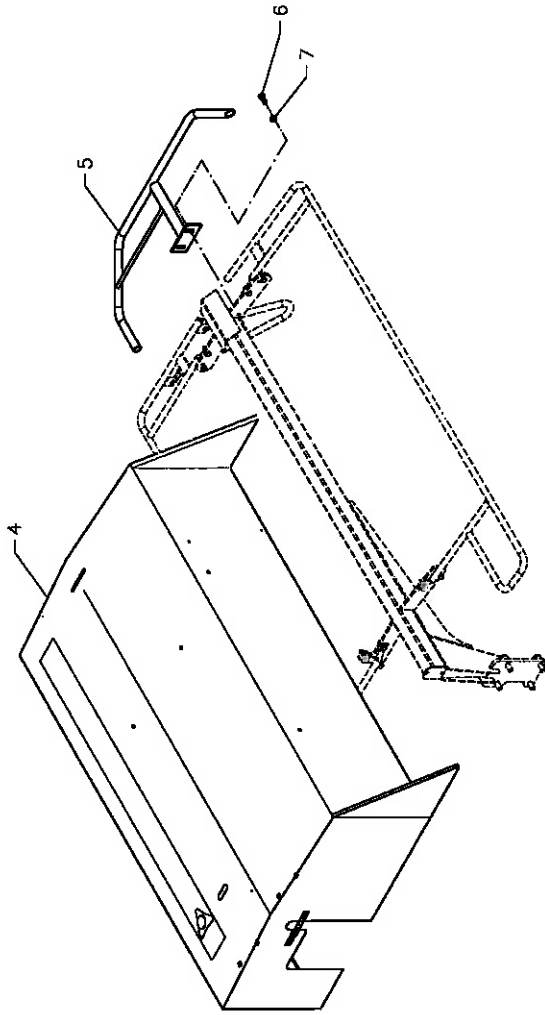
PosNo.	Part No.	Qty.	Description	Remark
1	ACCESSOIRE	1	PLEASE CONTACT YOUR DEALER	
2	VNB4350486	1	SUPPORT	
3	VNB4351286	1	TUBE-HOLDER	
4	VNB4375878	2	SET RED/WHITE PANELS 423X282	
5	VNB3621478	2	REFLECTOR YELLOW	
6	VNB4364586	1	PLATE	
7	VNB4363186	2	PLATE	
8	VNB4363086	1	SUPPORT	
9	VNB4364086	1	TUBE	
10	VNB4375378	2	RED/WHITE LIGHT	
11	VN48523005	2	LAMP 12V5W/ BA 15 S	
12	VNB4375578	1	CABLE L=2700MM	
13	VNB3619878	1	DEVIDER BOX	
14	VNB4375478	1	CABLE L=350MM	
15	VN80504003	6	TIE-WRAP 200X4,7 BLACK	
16	VNB4375678	1	CABLE L=500MM	
17	VNB3620578	1	PROT. COVER TAIL LIGHT	
18	VNB3452378	1	REAR-LIGHT 2 R	
19	VN48523002	2	LAMP 12V-21W // BA15S	
20	VN48523001	1	LAMP 12V10W / BA 15 S	
21	VN37601015	1	REFLECTOR RED (RD. 60 MM)	
22	VNB4375778	1	CABLE L=5000MM	



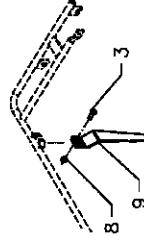
**EXTRA 117 / Optional equipment**



Complete No. 1



Complete No. 2



SPMKT001481

KT 415.804 < Mach. ID <=

Page number: 14

© Kverneland Group

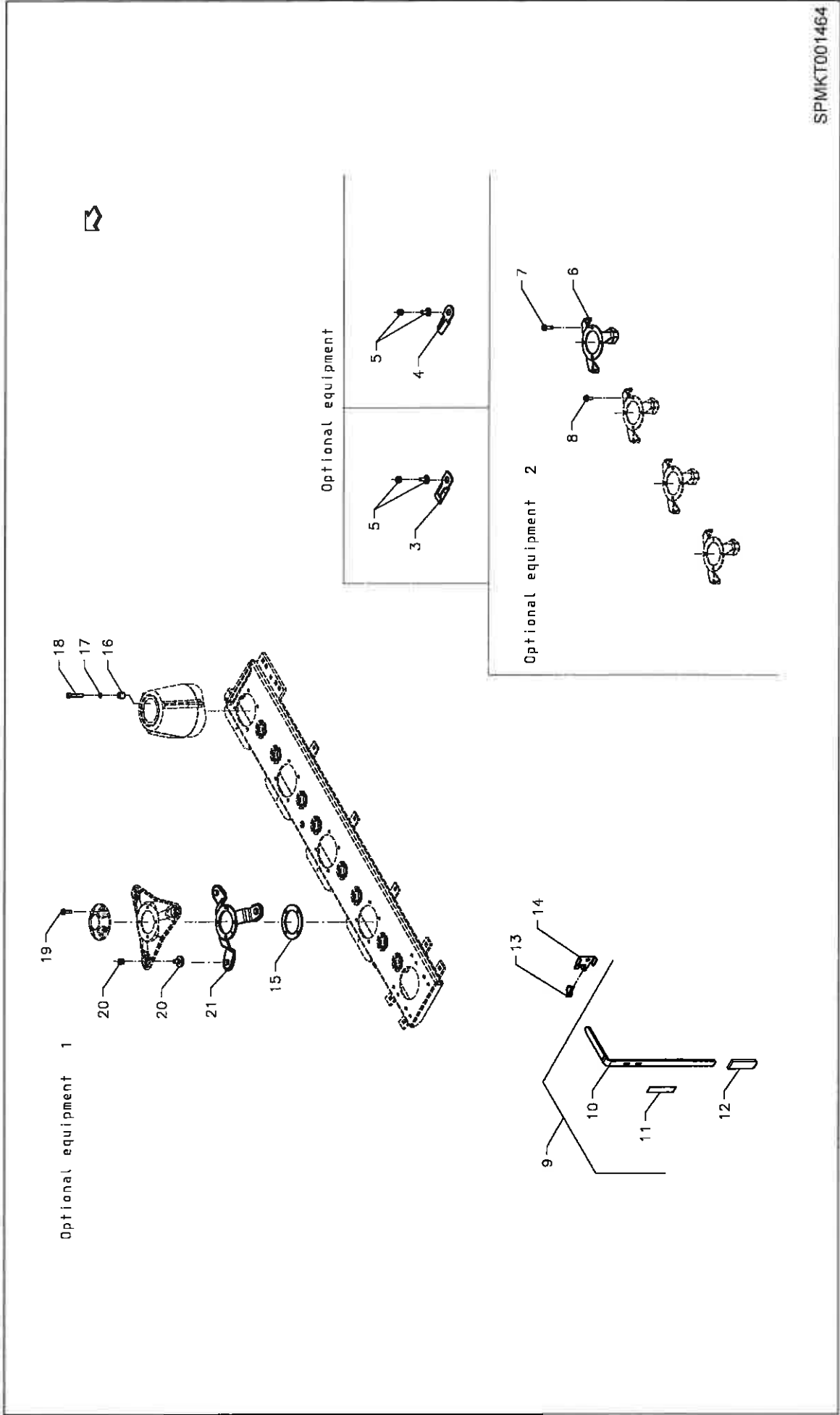


## EXTRA 117 / Optional equipment

PosNo.	Part No.	Qty.	Description	Remark
1	ACCESSOIRE	1	PLEASE CONTACT YOUR DEALER	
2	ACCESSOIRE	1	PLEASE CONTACT YOUR DEALER	
3	KG00471961	4	HEX. SCREW M8X20 8.8	
4	VNB2554978	1	PROTECTION CURTAIN	
5	VNB2555386	1	BRACKET	
6	KG00474461	2	HEX. SCREW M10X35 8.8	
7	KG01068861	2	LOCK NUT M10 10 DIN 985 GALV.	
8	KG01051961	4	HEX. NUT M8 8	
9	VN97870841	2	STIFFENER	



# EXTRA 117 / Optional equipment



SPMIKT001464

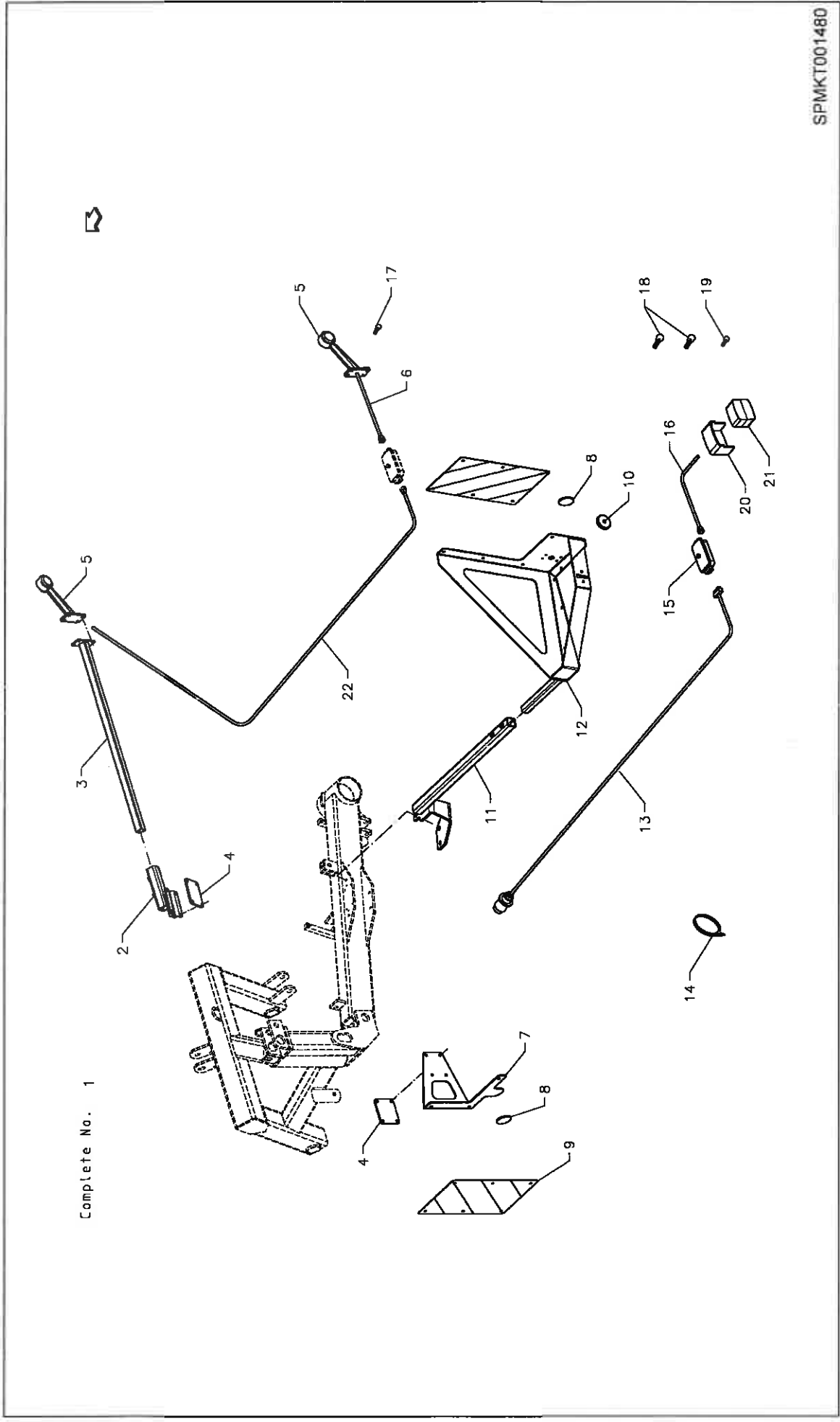


# EXTRA 117 / Optional equipment

PosNo.	Part No.	Qty.	Description	Remark
1	ACCESSOIRE	1	PLEASE CONTACT YOUR DEALER	
2	ACCESSOIRE	1	PLEASE CONTACT YOUR DEALER	
3	KT5611050001	25	KNIFE (131 MM)	
4	KT5611030001	25	KNIFE (128 MM)	
5	KT56785000	1	KNIFE BOLT KIT CPL. (25 PCS.)	
6	KT2443200086	4	STOP FOR KNIFE	
7	KT99308830	4	STEEL BOLT	
8	KT99308826	12	STEEL BOLT (VERBUS RIBB BOLT) M10X20	
9	KT55177000	1	TOOL COMPLETE	
10	KT5517400061	1	TOOL	
11	KT55769000	1	DECAL	
12	KT38218000	1	PLASTIC HANDLE	
13	KT99331901	1	LINCH PIN Ø 6	
14	KT5577300061	1	PARKING BRACKET	
15	KT5526900061	4	WASHER 4MM (EXPRESS)	
16	KT5539800061	4	BUSHING	
17	KT99333832	4	LOCK WASHER 10,3 X 16,6 NORDLOCK	
18	KG01904500	4	CHEESE HEAD SCREW M10X60 12.9	
19	KT99308832	16	STEEL BOLT M10X35 10.9(VERBUS RIBB BOLT)	
20	KT56998000	1	KIT OF KNIFE BOLT (25 PCS.)	
21	KT5518500086	4	SPRING, COMPLETE	



# EXTRA 117 / Optional equipment



SPMKT001480



## EXTRA 117 / Optional equipment

PosNo.	Part No.	Qty.	Description	Remark
1	ACCESSOIRE	1	PLEASE CONTACT YOUR DEALER	
2	VNB4363086	1	SUPPORT	
3	VNB4364086	1	TUBE	
4	VNB4363186	2	PLATE	
5	VNB4375378	2	RED/WHITE LIGHT	
6	VNB4375478	1	CABLE L=350MM	
7	VNB4364586	1	PLATE	
8	VNB3621478	2	REFLECTOR YELLOW	
9	VNB4375878	2	SET RED/WHITE PANELS 423X282	
10	VN37601015	1	REFLECTOR RED (RD. 60 MM)	
11	VNB4374586	1	HOLDER	
12	VNB4350486	1	SUPPORT	
13	VNB4375778	1	CABLE L=5000MM	
14	VN80504003	1	TIE-WRAP 200X4,7 BLACK	
15	VNB3619878	1	DEVIDER BOX	
16	VNB4375678	1	CABLE L=500MM	
17	VN48523005	2	LAMP 12V5W/ BA 15 S	
18	VN48523002	2	LAMP 12V-21W // BA15S	
19	VN48523001	1	LAMP 12V10W / BA 15 S	
20	VNB3620578	1	PROT. COVER TAIL LIGHT	
21	VNB3452378	1	REAR-LIGHT 2 R	
22	VNB4375578	1	CABLE L=2700MM	



# EXTRA 117 / Part No Index

Part No.	Page	Pos No	Part No.	Page	Pos No	Part No.	Page	Pos No	Part No.	Page	Pos No
ACCESSOIRE	11	1	KG00545061	7	11	KG01068961	8	30	KG01381100	3	40
ACCESSOIRE	11	2	KG00545061	8	11	KG01074461	3	10	KG01799100	4	3
ACCESSOIRE	11	3	KG00596100	3	29	KG01099300	3	42	KG01799200	4	8
ACCESSOIRE	12	1	KG00644961	7	38	KG01112900	3	25	KG01840800	5	5
ACCESSOIRE	12	2	KG00644961	8	38	KG01130500	4	13	KG01904200	3	56
ACCESSOIRE	12	3	KG00645061	12	8	KG01130900	4	17	KG01904500	8	5
ACCESSOIRE	13	1	KG00667561	7	36	KG01130900	5	4	KG01904500	15	18
ACCESSOIRE	14	1	KG00667561	8	36	KG01165000	4	9	KT10101000	4	27
ACCESSOIRE	14	2	KG00668961	7	35	KG01190000	3	60	KT10105000	5	32
ACCESSOIRE	15	1	KG00668961	8	35	KG01191862	2	13	KT2418200061	1	16
ACCESSOIRE	15	2	KG00936500	3	6	KG01192062	2	14	KT2420900061	9	13
ACCESSOIRE	16	1	KG01051961	7	33	KG01192300	3	23	KT2428200086	7	26
KG00355261	9	11	KG01051961	8	33	KG01194362	3	34	KT2428200086	8	26
KG00355461	2	8	KG01051961	14	8	KG01197100	3	24	KT2428400086	12	20
KG00357661	2	2	KG01061461	2	3	KG01252661	1	23	KT2429300086	3	30
KG00362061	2	7	KG01064161	7	23	KG01252661	3	53	KT2434200086	12	5
KG00362061	3	48	KG01064161	8	23	KG01253761	2	28	KT2434500086	2	4
KG00362061	9	10	KG01064161	12	12	KG01253761	3	3	KT2434600086	3	31
KG00362661	3	32	KG01064261	7	16	KG01261761	1	19	KT2434700086	2	5
KG00362861	3	46	KG01064261	8	16	KG01267461	7	24	KT2434800086	7	15
KG00456461	4	16	KG01064261	12	6	KG01267461	8	24	KT2434800086	8	15
KG00471961	14	3	KG01067561	7	12	KG01267461	12	13	KT2436100086	5	29
KG00473961	5	14	KG01067561	8	12	KG01267561	3	11	KT2436300086	9	2
KG00474361	4	21	KG01067961	1	20	KG01267561	3	18	KT2437010086	5	1
KG00474361	9	9	KG01067961	2	6	KG01267561	7	17	KT24382000	9	14
KG00474361	12	14	KG01067961	3	33	KG01267561	7	29	KT24391000	9	4
KG00474461	14	6	KG01067961	3	49	KG01267561	8	17	KT2440900086	11	12
KG00476261	5	20	KG01067961	3	51	KG01267561	8	29	KT2441000086	7	2
KG00476661	3	17	KG01068861	2	9	KG01267561	12	7	KT2441000086	8	2
KG00476761	3	20	KG01068861	9	8	KG01267761	3	58	KT2441000086	11	8
KG00476761	12	16	KG01068861	14	7	KG01267861	1	21	KT2441300086	11	6
KG00476861	12	15	KG01068961	3	19	KG01268161	3	4	KT2443200086	15	6
KG00542161	5	28	KG01068961	7	30	KG01360700	4	18	KT2447200097	2	1



# EXTRA 117 / Part No Index



Part No.	Page	Pos No	Part No.	Page	Pos No	Part No.	Page	Pos No	Part No.	Page	Pos No
KT2447300094	1	1	KT55177000	8	43	KT5611050001	15	3	KT99251168	4	19
KT2447400086	3	1	KT55177000	15	9	KT5611090001	7	10	KT99251170	4	20
KT2447500086	3	28	KT5518500086	8	42	KT5611090001	8	10	KT99251171	4	26
KT2447600061	3	5	KT5518500086	15	21	KT56149000	7	40	KT99251172	4	14
KT2447700061	3	57	KT5524000086	12	18	KT56149000	8	40	KT99251301	4	11
KT2447900063	3	59	KT55244200	6	1	KT5627100061	7	39	KT99251302	4	12
KT2448000086	2	24	KT5526900061	8	41	KT5627100061	8	39	KT99251303	4	7
KT24925000	4	1	KT5526900061	15	15	KT5657630086	12	17	KT99251304	4	30
KT33501000	12	11	KT5535000086	12	4	KT56785000	7	7	KT99308826	7	5
KT38218000	8	46	KT5539800061	8	3	KT56785000	15	5	KT99308826	15	8
KT38218000	15	12	KT5539800061	15	16	KT56998000	8	7	KT99308828	11	7
KT4559500061	11	13	KT5564110001	5	17	KT56998000	15	20	KT99308830	15	7
KT45429000	7	25	KT5564210001	5	21	KT60245000	2	15	KT99308832	8	47
KT45429000	8	25	KT5564400001	5	15	KT99106225	4	24	KT99308832	15	19
KT4543100061	7	18	KT5564610001	5	8	KT99235524	10	8	KT99322670	7	3
KT4543100061	8	37	KT5564900061	5	27	KT99244330	10	1	KT99322670	11	4
KT4543100061	8	18	KT55650000	5	25	KT99244582	10	2	KT99328825	7	19
KT4543100061	8	37	KT55651000	5	26	KT99244583	10	3	KT99328825	8	19
KT48953000	2	10	KT5567000001	5	19	KT99244584	10	4	KT99330583	10	9
KT5512200001	5	9	KT55677300	4	5	KT99244585	10	5	KT99331901	15	13
KT5512310001	5	2	KT5568820061	7	20	KT99244586	10	6	KT99331907	1	12
KT5512510086	7	21	KT5568820061	8	20	KT99244587	10	13	KT99333832	3	55
KT5512510086	8	21	KT55705300	6	2	KT99244588	10	7	KT99333832	7	4
KT5513600094	7	8	KT55706100	6	3	KT99244589	10	10	KT99333832	8	4
KT5513600094	8	8	KT55710300	6	4	KT99244591	10	11	KT99333832	11	5
KT5513700086	7	6	KT55729100	5	7	KT99244592	10	12	KT99333832	15	17
KT5513700086	8	6	KT5574920001	5	12	KT99250427	4	10	KT99350025	4	28
KT5513910086	7	22	KT55769000	8	45	KT99250556	4	23	KT99354026	4	6
KT5513910086	8	22	KT55769000	15	11	KT99250592	4	4	KT99354123	5	10
KT5515300086	12	19	KT5577300061	15	14	KT99250910	4	2	KT99420109	5	6
KT5515400001	5	13	KT5611030001	15	4	KT99250946	4	29	KT99420109	7	14
KT5517400061	8	44	KT5611040001	7	9	KT99250982	4	15	KT99420109	8	14
KT5517400061	15	10	KT5611040001	8	9	KT99251148	4	25	KT99420125	5	18

EXTRA 117 / Part No Index



Part No.	Page	Pos No	Part No.	Page	Pos No	Part No.	Page	Pos No	Part No.	Page	Pos No
KT199420238	5	16	VN48523002	13	19	VN99460908	3	26	VNB2693386	9	5
KT199420286	5	11	VN48523002	16	18	VN99770348	7	1	VNB2721686	9	1
KT199420286	7	13	VN48523005	13	11	VN99770348	8	1	VNB3452378	13	18
KT199420286	8	13	VN48523005	16	17	VN99770348	11	9	VNB3452378	16	21
KT199421068	5	3	VN80504003	13	15	VNB0595493	3	36	VNB3619878	13	13
KT199424074	4	22	VN80504003	16	14	VNB0595593	3	38	VNB3619878	16	15
KT199457134	5	30	VN90043838	1	2	VNB1077102	2	20	VNB3620578	13	17
KT199457135	5	31	VN90044041	2	27	VNB1194586	9	6	VNB3620578	16	20
KT199458109	5	24	VN90044085	2	12	VNB1285578	2	18	VNB3621478	13	5
KT199462633	5	22	VN90044288	1	22	VNB1300594	3	13	VNB3621478	16	8
KT199462718	5	23	VN90044366	1	10	VNB1302286	2	11	VNB3737086	1	18
VF01157402	3	37	VN90047784	9	12	VNB1306893	2	17	VNB4350486	13	2
VF06564448	1	5	VN90070335	3	27	VNB1308286	9	3	VNB4350486	16	12
VF06564448	2	22	VN9008115901	3	16	VNB1310378	1	11	VNB4351286	13	3
VF16620041	2	26	VN90081166	7	31	VNB1326493	1	3	VNB4363086	13	8
VN18612529	1	14	VN90081166	8	31	VNB1347778	2	25	VNB4363086	16	2
VN1862032601	3	22	VN90081623	9	7	VNB1695586	11	10	VNB4363186	13	7
VN1862032801	3	21	VN90083104	3	50	VNB1870178	1	9	VNB4363186	16	4
VN19330150	1	26	VN90083233	1	7	VNB1885693	1	15	VNB4364086	13	9
VN19342336	1	25	VN90091569	1	4	VNB1978693	1	8	VNB4364086	16	3
VN30263845	7	34	VN90091569	2	21	VNB2071774	3	54	VNB4364586	13	6
VN30263845	8	34	VN90091569	11	11	VNB2094686	1	17	VNB4364586	16	7
VN30583100	11	14	VN97870841	14	9	VNB2099493	1	24	VNB4374586	16	11
VN31415028	3	41	VN97870978	3	7	VNB2111593	1	6	VNB4375378	13	10
VN31425007	3	39	VN98613805	7	27	VNB2111693	1	13	VNB4375378	16	5
VN36107339	2	19	VN98613805	8	27	VNB2117194	3	47	VNB4375478	13	14
VN36129072	3	44	VN98613840	3	8	VNB2127786	3	15	VNB4375478	16	6
VN37601015	13	21	VN98614940	2	23	VNB2198393	3	12	VNB4375578	13	12
VN37601015	16	10	VN98621377	3	43	VNB2298793	3	2	VNB4375578	16	22
VN38854081	2	16	VN98630051	7	28	VNB2540293	3	52	VNB4375678	13	16
VN43301603	3	14	VN98630051	8	28	VNB2554978	14	4	VNB4375678	16	16
VN48523001	13	20	VN98633023	3	9	VNB2555386	14	5	VNB4375778	13	22
VN48523001	16	19	VN98661901	3	45	VNB2575286	3	35	VNB4375778	16	13

# EXTRA 117 / Part No Index



Part No.	Page	Pos No
VNB4375878	13	4
VNB4375878	16	9
VNB4499461	7	32
VNB4499461	8	32



## **EXTRA 117**

KT 415.804 < Mach. ID <=

Kverneland Group Kerteminde AS  
Taarpstrandvej 25  
DK-5300 Kerteminde  
Denmark  
+45 65 19 19 00  
+45 65 19 19 99

© Kverneland Group

All rights reserved. No parts of this book may be reproduced, stored in a database or retrieval system, or published in any form or in any way, electronically, mechanically, optically, by print, photo print, microfilm (including micro and macro fiche), or any other means, including all video and CD systems, without prior written permission from the publisher.

Print date: 2011-04-20