

HANDELMIJ. EN MECHANISATIEBEDRIJF

WIM VAN BREDA BV

GELDERMALSEN

TEL. 0345 - 585050

OMARV

Macchine Agricole

Via Cuneo, 60

12038 - Savigliano (CN) ITALY

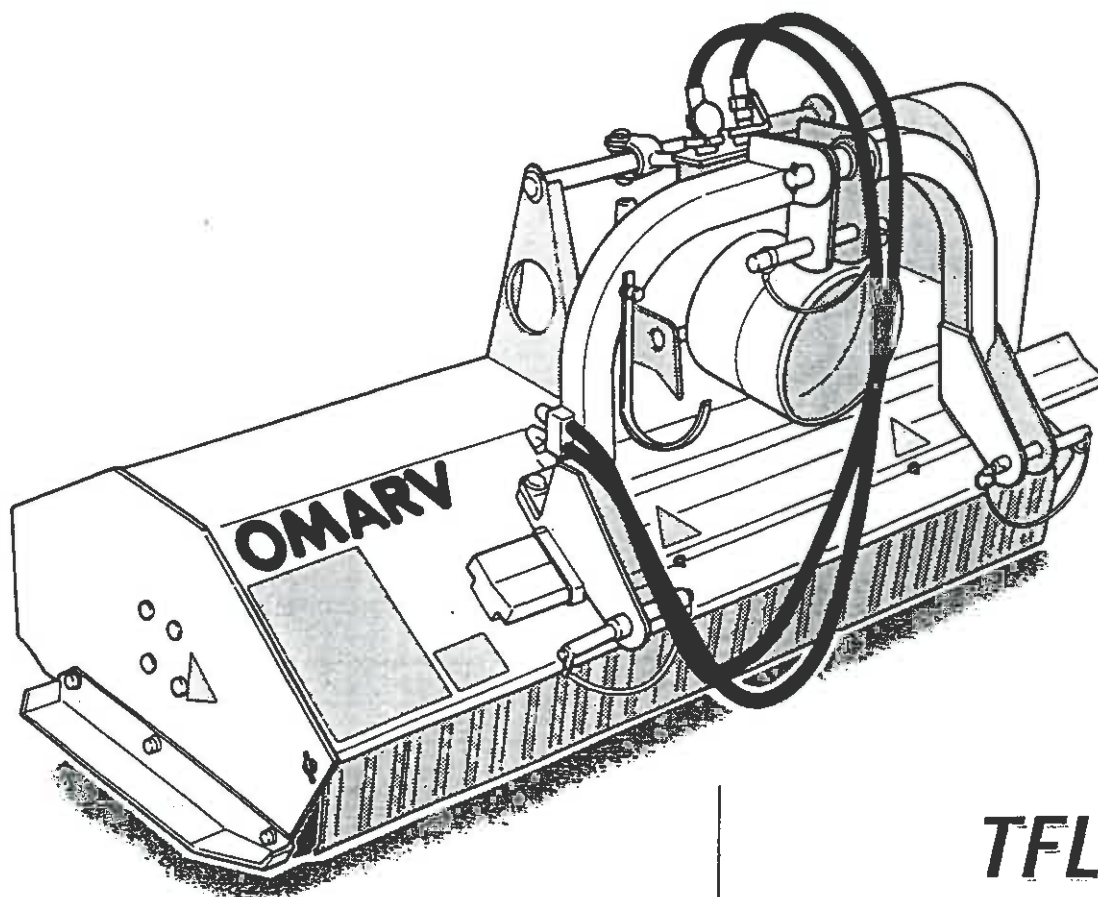
Parti di ricambio

Spare parts

Pièces de rechange

Ersatzteile

Piezas de Repuesto



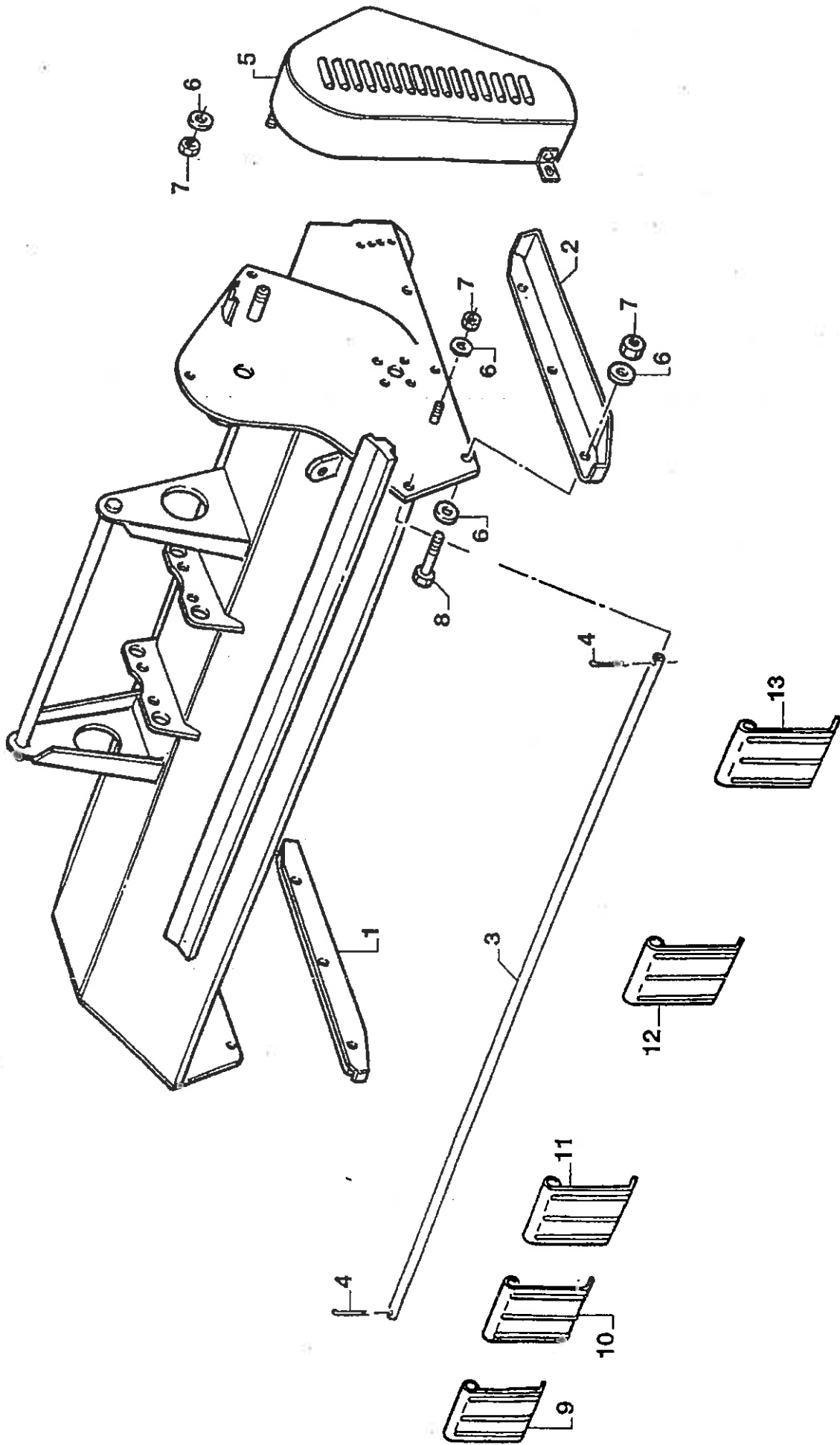
TFL-C

090-100-120-140

160-180-200-220

240-260

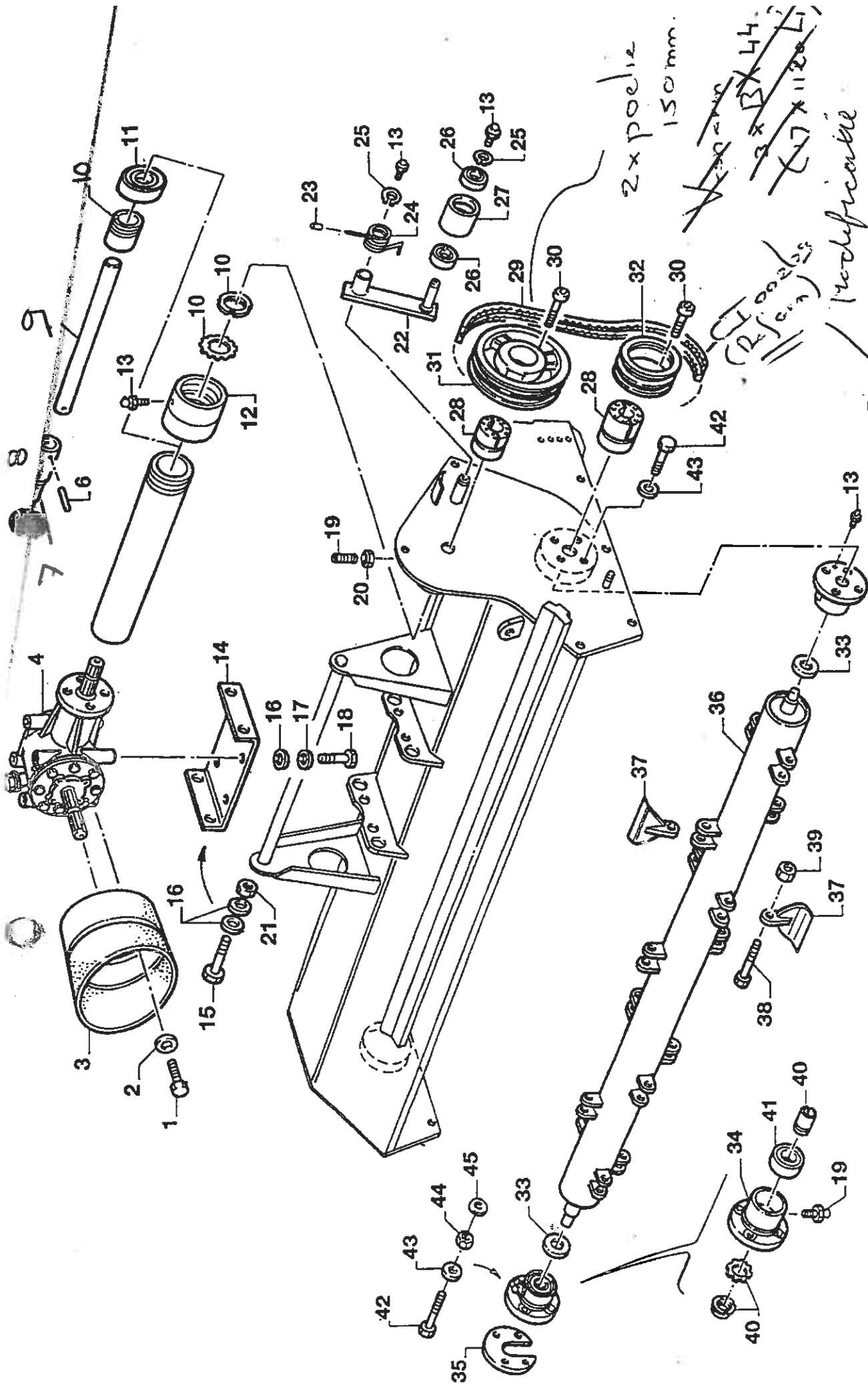




POS.	DENOMINAZIONE	MOD. 90	MOD. 100	MOD. 120	MOD. 140	MOD. 160
1	SLITTA DX	SL00019	SL00019	SL00019	SL00019	SL00019
2	SLITTA SX	SL00020	SL00020	SL00020	SL00020	SL00020
3	ASTA TENDINE	AS00230	AS00231	AS00232	AS00233	AS00234
4	COPPIGLIA	CO00012	CO00012	CO00012	CO00012	CO00012
5	CARTER PUL.	CT00360	CT00360	CT00360	CT00360	CT00361
6	RONDELLA	RO00604	RO00604	RO00604	RO00604	RO00604
7	DADO AUTOBL.	DA00606	DA00606	DA00606	DA00606	DA00606
8	VITA	VI01030	VI01030	VI01030	VI01030	VI01030
9	T.PAR. L. 90 mm	2xLM00032	=====	=====	=====	=====
10	T.PAR. L.100mm	=====	=====	=====	1xLM00033	=====
11	T.PAR. L.110mm	=====	=====	3xLM00034	=====	=====
12	T.PAR. L.133mm	=====	1xLM00035	=====	=====	=====
13	T.PAR. L.143mm	5xLM00036	6xLM00036	6xLM00036	9xLM00036	11xLM00036

POS.	DENOMINAZIONE	MOD. 180	MOD. 200	MOD. 220	MOD. 240	MOD. 260
1	SLITTA DX	SL00019	SL00019	SL00019	SL00019	SL00019
2	SLITTA SX	SL00020	SL00020	SL00020	SL00020	SL00020
3	ASTA TENDINE	AS00235	AS00236	AS00237	AS00238	AS00239
4	COPPIGLIA	CO00012	CO00012	CO00012	CO00012	CO00012
5	CARTER PUL.	CT00361	CT00361	CT00361	CT00362	CT00362
6	RONDELLA	RO00604	RO00604	RO00604	RO00604	RO00604
7	DADO AUTOBL.	DA00606	DA00606	DA00606	DA00606	DA00606
8	VITE	VI01030	VI01030	VI01030	VI01030	VI01030
9	T.PAR. L. 90mm	=====	=====	2xLM00032	1xLM00035	=====
10	T.PAR. L.100mm	1xLM00033	=====	=====	=====	=====
11	T.PAR. L.110mm	1xLM00034	=====	=====	=====	=====
12	T.PAR. L.133mm	=====	2xLM00035	=====	1xLM00035	=====
13	T.PAR. L.143mm	11xLM00036	12xLM00036	14xLM00036	15xLM00036	18xLM00036

TAVOLA - 1 - TFLC



2x poelie
150mm

(Signature)
3x BX 44
17x112

proeflicatie

3x BX 43

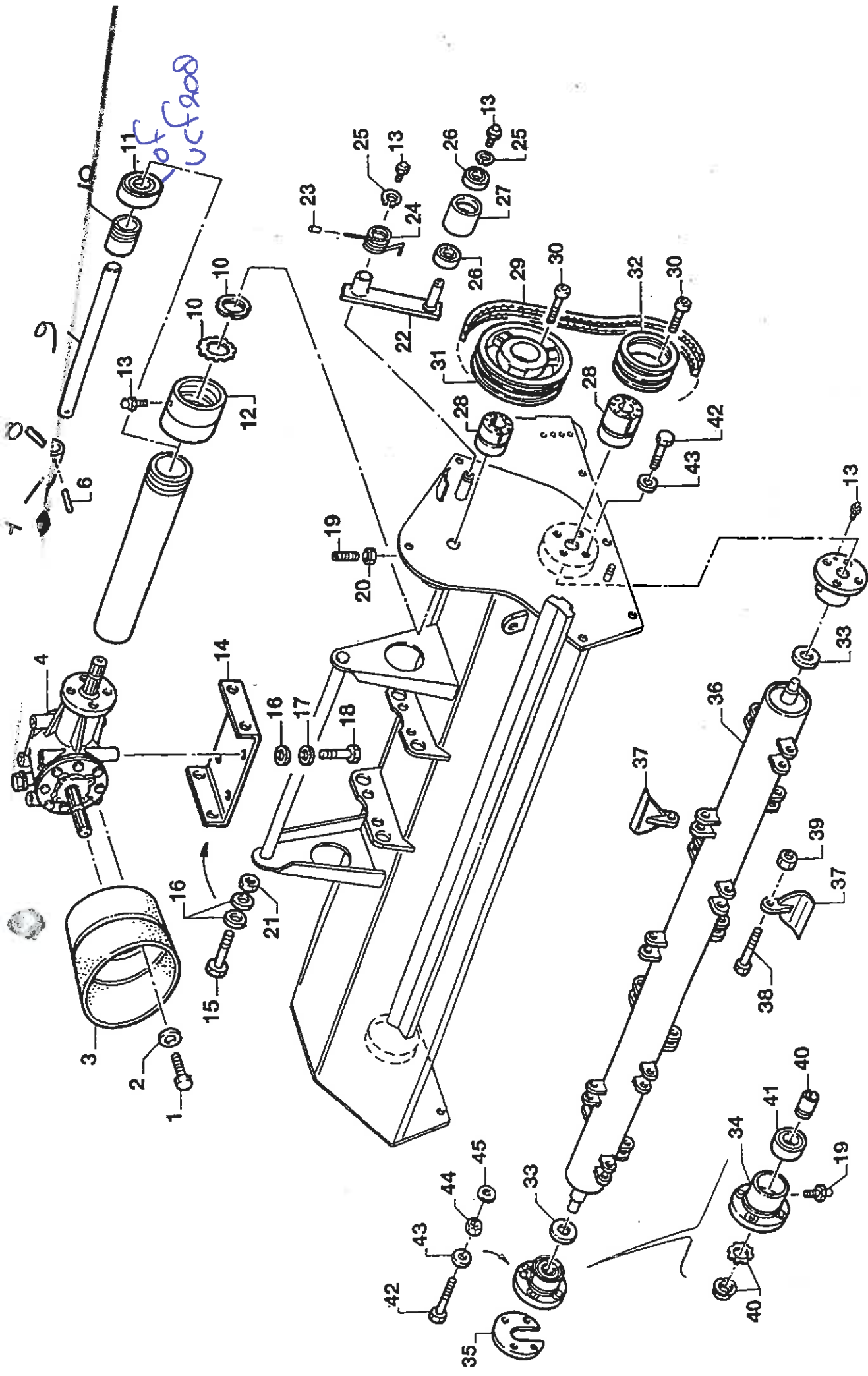
1000 T
(17 X 1105 (L) 02

1000 T = 2 poelie 150 mm. PU 0874
3x BX 43-snaev.

OMARV

POS.	DENOMINAZIONE	MOD. 90	MOD. 100	MOD. 120	MOD. 140	MOD. 160
1	VITE 8X10	VI00810	VI00810	VI00810	VI00810	VI00810
2	RONDELLA Ø 8	RO00608	RO00608	RO00608	RO00608	RO00608
3	CUFFIA	CU00201	CU00201	CU00201	CU00201	CU00201
4	MOLTIPLICAT.	GR00120	GR00120	GR00120	GR00120	GR00120
4A	MOLTIPL.FRONT.	GR00122	GR00122	GR00122	GR00122	GR00122
5	PROT. TRASM. H.	CT00074	CT00074	CT00076	CT00077	CT00078
5A	PROT. TRASM. F.	CT00200	CT00075	CT00201	CT00202	CT00203
6	SPINA 12X65	SP01265	SP01265	SP01265	SP01265	SP01265
7	MANICOTTO	MS00012	MS00012	MS00012	MS00012	MS00012
8	SPINA 7X65	SP00765	SP00765	SP00765	SP00765	SP00765
9	ALBERO TRASM.H	AB00200	AB00200	AB00062	AB00063	AB00064
9A	ALBERO TRASM.F	AB00201	AB00202	AB00203	AB00204	AB00205
10	GHIERA BLOCC.	CU00408	CU00408	CU00408	CU00408	CU00408
11	CUSCINETTO	CU00407	CU00407	CU00407	CU00407	CU00407
11A	CUSC. TFL/C H.	CU00450	CU00450	-	-	-
12	SUPP. TRASM.	SU00407	SU00407	SU00407	SU00407	SU00407
12A	SUP.TR.TFL/C H.	SU00450	SU00450	-	-	-
13	INGRASSATORE	IS00002	IS00002	IS00002	IS00002	IS00002
14	STAFFA GRUPPO	ST00110	ST00110	ST00110	ST00110	ST00110
15	VITE 12X40	VI01240	VI01240	VI01240	VI01240	VI01240
16	RONDELLA 12	RO00602	RO00602	RO00602	RO00602	RO00602
17	RONDELLA DENT.	GL00012	GL00012	GL00012	GL00012	GL00012
18	VITE 12X25/16X25	VI01225	VI01225	VI01225	VI01225	VI01225
19	GRANO A PUNTA	GN01035	GN01035	GN01035	GN01035	GN01035
20	DADO M10	DA00010	DA00010	DA00010	DA00010	DA00010
21	DADO AUT. M12	DA00602	DA00602	DA00602	DA00602	DA00602
22	BILANC. TENDIC.	BL00010	BL00010	BL00010	BL00010	BL00011
23	TAPPO GOMMA	TA00003	TA00003	TA00003	TA00003	TA00003
24	MOLLA TENDIC.	ML00006	ML00006	ML00006	ML00006	ML00006

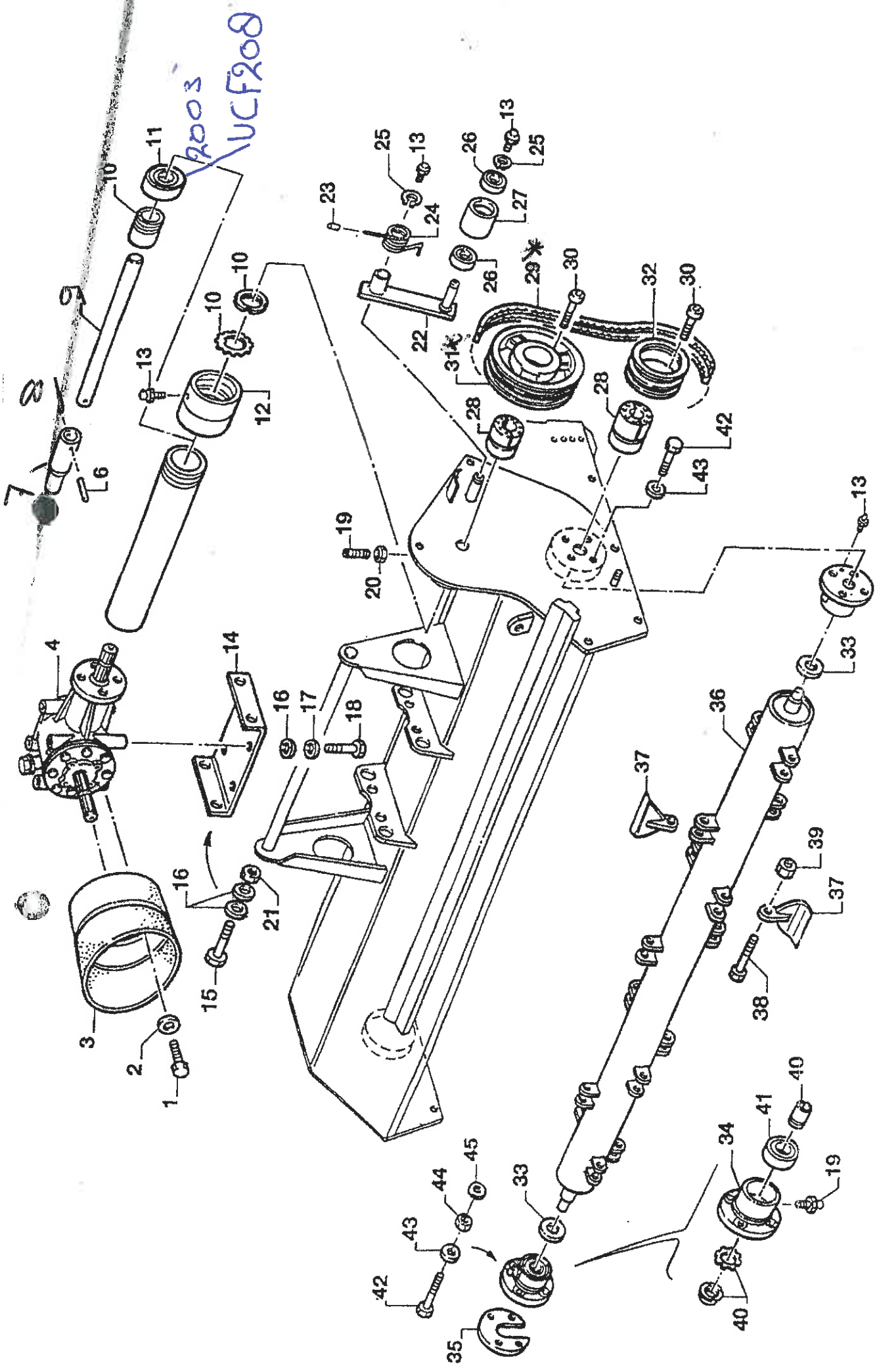
TAVOLA -2- TFL.C (foglio 01)



POS.	DENOMINAZIONE	MOD. 090	MOD. 100	MOD. 120	MOD. 140	MOD. 160
25	SEGER	SE00518	SE00518	SE00518	SE00518	SE00518
26	CUSCINETTO	CU00409	CU00409	CU00409	CU00409	CU00409
27	PULEGGIA TEND.	PU00871	PU00871	PU00871	PU00871	PU00871
28	CALETTATORE	CA00049	CA00049	CA00049	CA00049	CA00049
XX	29	CINGHIA	CI00268	CI00268	CI00268	CI00268
XX	30	VITE BRUGOLA	VI01000	VI01000	VI01000	VI01000
	31	PULEGGIA	PU00873	PU00873	PU00873	PU00872
	32	PULEGGIA	PU00874	PU00874	PU00874	PU00875
	33	SPESSORE	SP00008	SP00008	SP00008	SP00008
	34	SUPP. ROTORE	SU00501	SU00501	SU00501	SU00500
	35	SPESS. FIANCATA	SP00010	SP00010	SP00010	SP00004
	36	ROTORE	RT00150	RT00151	RT00152	RT00153
	37	MARTELLO	CL00326	CL00326	CL00326	CL00326
	38	VITE	VI01680	VI01680	VI01680	VI01680
	39	DADO	DA00203	DA00203	DA00203	DA00203
X	40	BUSSOLA	BU00009	BU00009	BU00009	BU00009
X	41	CUSCINETTO	CU00407	CU00407	CU00407	CU00407
	42	VITE	VI01440	VI01440	VI01440	VI01440
	43	RONDELLA	GL00014	GL00014	GL00014	GL00014
	44	DADO AUT. M14	=====	=====	=====	DA00601
	45	RONDELLA	=====	=====	=====	RO00601

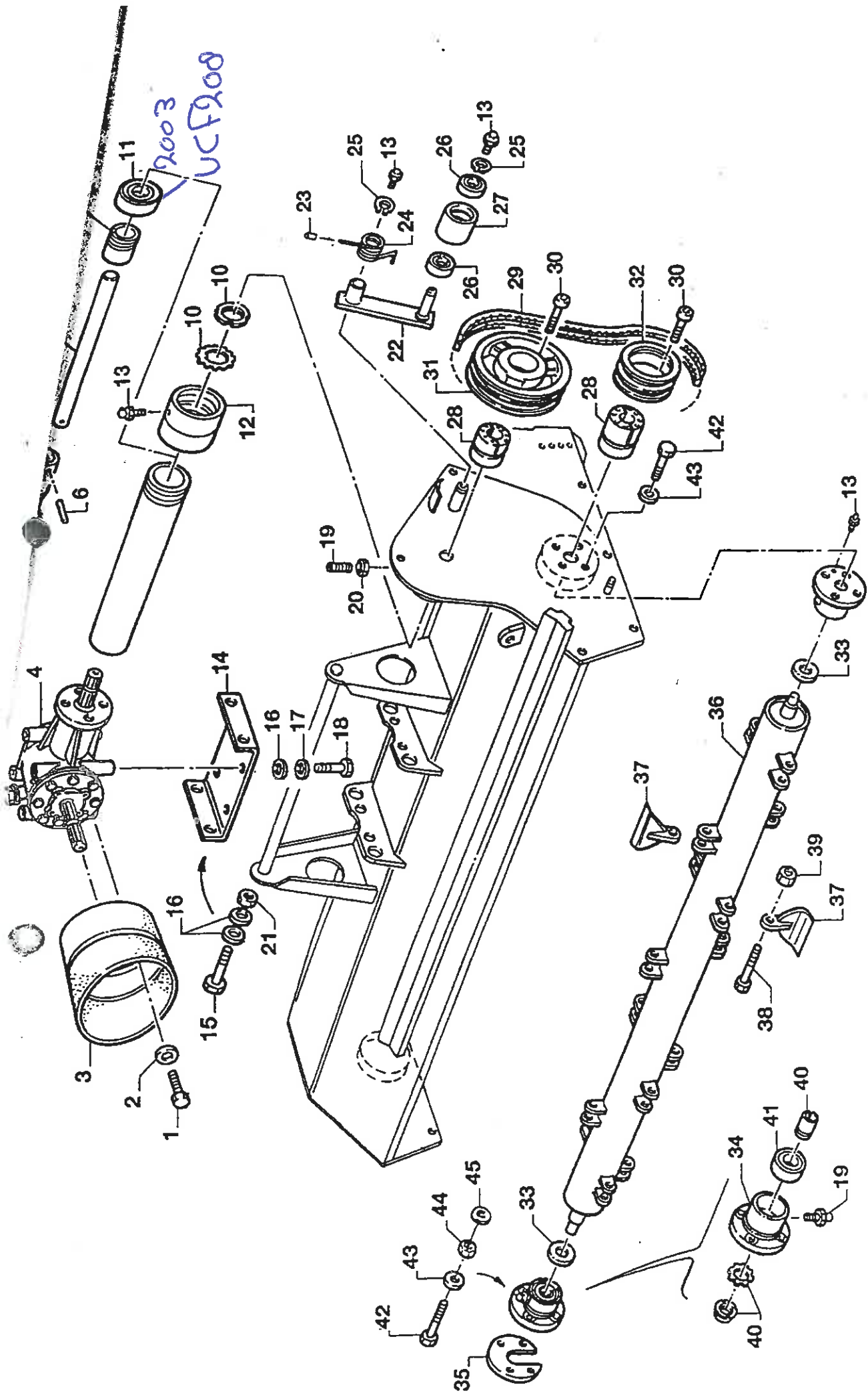
TAVOLA- 2 - TFL.C (foglio 02)

XX 1000T l'd 140 = 2x 23 - BX 41
 2x 23 - PU 000874 2schiff



POS.	DENOMINAZIONE	MOD. 180	MOD. 200	MOD. 220	MOD. 240	MOD. 260
1	VITE 8X10	VI00810	VI00810	VI00810	VI00810	VI00810
2	RONDELLA Ø 8	RO00608	RO00608	RO00608	RO00608	RO00608
3	CUFFIA	CU00201	CU00201	CU00201	CU00201	CU00201
4	MOLTIPLICAT.	GR00120	GR00120	GR00120	GR00121	GR00121
4A	MOLTIPL. FRONT.	GR00122	GR00122	GR0122	GR00123	GR00123
5	PROTEZ. TRASM.H	CT00079	CT00080	CT00081	CT00085	CT00086
5A	PROTEZ. TRASM.F.	CT00204	CT00205	CT00206	CT00113	CT00114
6	SPINA 12X65	SP01265	SP01265	SP01265	SP01265	SP01265
7	MANICOTTO	MS00012	MS00012	MS00012	MS00012	MS00012
8	SPINA 7X65	SP00765	SP00765	SP00765	SP00765	SP00765
9	ALBERO TRASM.H	AB00065	AB00066	AB00067	AB00209	AB00210
9A	ALBERO TRASM.F	AB00206	AB00207	AB00208	AB00211	AB00212
10	GHIERA	CU00408	CU00408	CU00408	CU00408	CU00408
11	CUSCINETTO	CU00407	CU00407	CU00407	CU00407	CU00407
12	SUPP. TRASM.	SU00407	SU00407	SU00407	SU00407	SU00407
13	INGRASSATORE	IS00002	IS00002	IS00002	IS00002	IS00002
14	STAFFA GRUPPO	ST00110	ST00110	ST00110	ST00111	ST00111
15	VITE 12X40/16X25	VI01240	VI01240	VI01240	VI01625	VI01625
16	RONDELLA	RO00602	RO00602	RO00602	RO00602	RO00602
17	RONDELLA DENT.	GL00012	GL00012	GL00012	GL00012	GL00012
18	VITE 12X25/16X25	VI01225	VI01225	VI01225	VI01225	VI01225
19	GRANO A PUNTA	GN01035	GN01035	GN01035	GN01035	GN01035
20	DADO M10	DA00010	DA00010	DA00010	DA00010	DA00010
21	DADO AUT. M12	DA00602	DA00602	DA00602	DA00602	DA00602
22	BILANCERE TEN.	BL00011	BL00011	BL00011	BL00005	BL00005
23	TAPPO GOMMA	TA00003	TA00003	TA00003	TA00003	TA00003
24	MOLLA TEND.	ML00006	ML00006	ML00006	ML00006	ML00006
25	SEEGER	SE00518	SE00518	SE00518	SE00518	SE00518

TAVOLA -02- TFL.C (foglio 01)



POS.	DENOMINAZIONE	MOD. 180	MOD. 200	MOD. 220	MOD. 240	MOD. 260
26	CUSCINETTO	CU00409	CU00409	CU00409	CU00409	CU00409
27	PULEGGIA TEND.	PU00871	PU00871	PU00871	PU00871	PU00871
* 28	CALETTATORE	CA00049	CA00049	CA00049	CA00050	CA00050
* 29	CINGHIA	CI00269	CI00269	CI00269	CI00266	CI00266
30	VITE BRUGOLA	VI01000	VI01000	VI01000	VI01000	VI01000
* 31	PULEGGIA	PU00872	PU00872	PU00872	PU00851	PU00851
32	PULEGGIA	PU00875	PU00875	PU00875	PU00876	PU00876
33	SPESSORE	SP00008	SP00008	SP00008	SP00008	SP00008
X 34	SUPP. ROTORE	SU00500	SU00500	SU00500	SU00502	SU00502
35	SPESSORE FIANC.	SP00004	SP00004	SP00004	SP00002	SP00002
36	ROTORE	RT00155	RT00156	RT00157	RT00158	RT00159
37	MARTELLO	CL00326	CL00326	CL00326	CL00326	CL00326
38	VITE	VI01680	VI01680	VI01680	VI01680	VI01680
39	DADO	DA00203	DA00203	DA00203	DA00203	DA00203
X 40	BUSSOLA	BU00009	BU00009	BU00009	BU00010	BU00010
X 41	CUSCINETTO	CU00407	CU00407	CU00407	CU00410	CU00410
42	VITE	VI01440	VI01440	VI01440	VI01440	VI01440
43	RONDELLA	GL00014	GL00014	GL00014	GL00014	GL00014
44	DADO AUT. M 14	DA00601	DA00601	DA00601	DA00601	DA00601
45	RONDELLA	RO00601	RO00601	RO00601	RO00601	RO00601

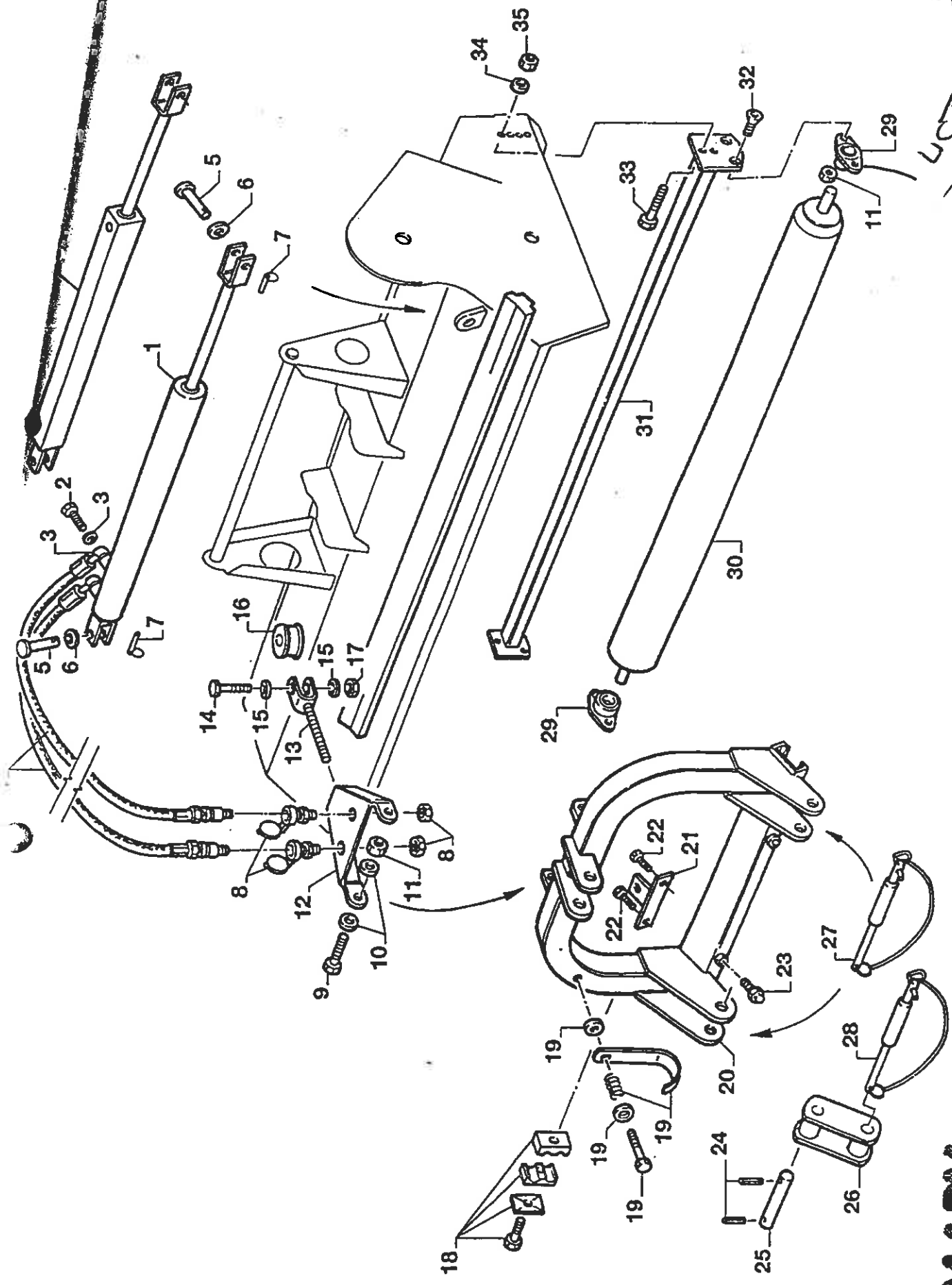
TAVOLA - 2 - TFL.C (foglio 02)

*31 = machine 1000-T = PU 00875

*29 = machine 1000-T = 23-BX 43 (2 gelijke poelie)

X = asstemp klempas 40 mm,

Asstemp 45 mm =
 1x lagerblek SU 00500 niet aange
 2x lager SU 00251
 1x lagerblek SU 02600 aangebr
 1x beschermblek FL 00200 binnen
 1x klempas CA 00050 klempas
 poelie



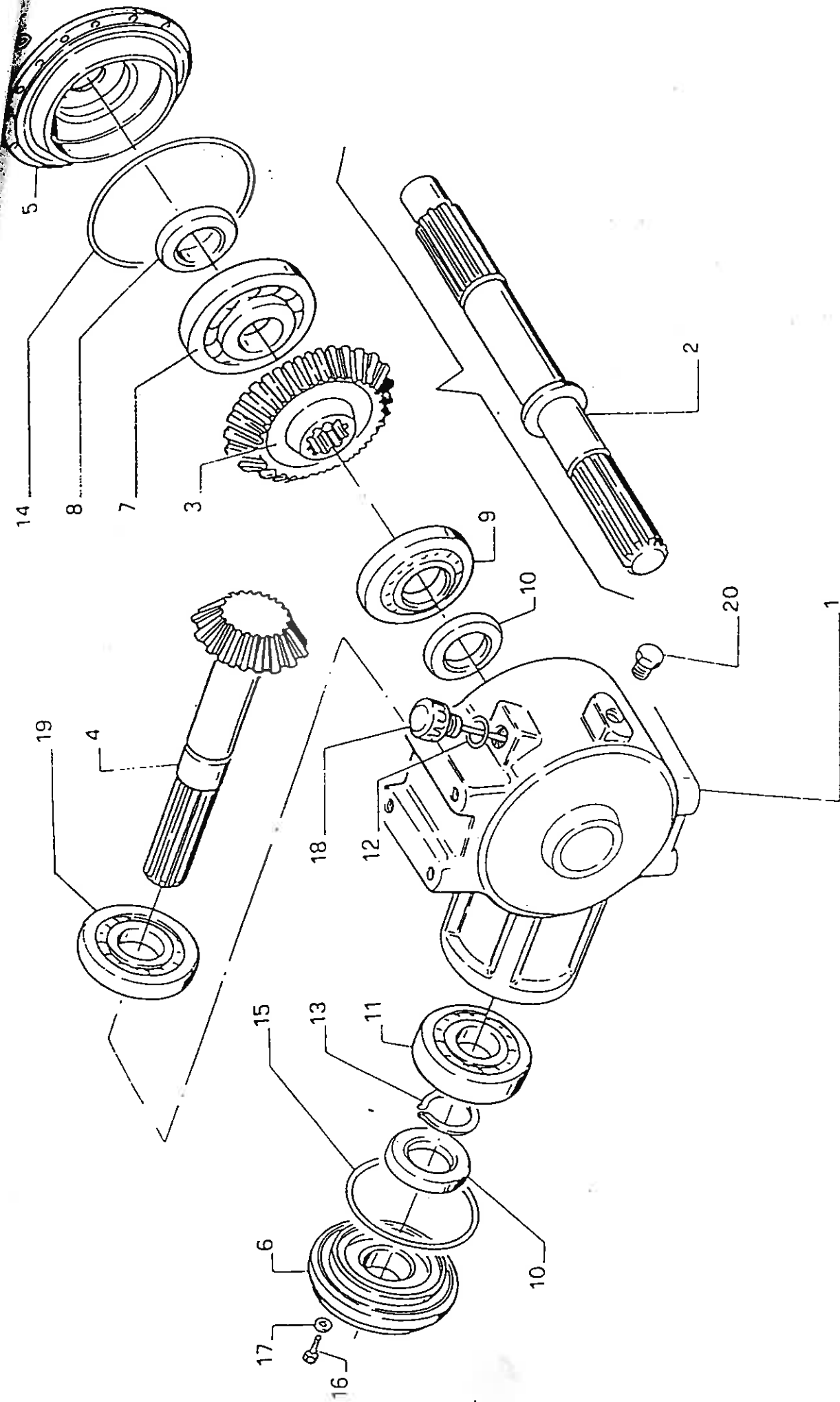
UCFL 206
03

ONARV

23-MR00016A afdichtset schijfcilinder

POS.	DENOMINAZIONE	MOD. 180	MOD. 200	MOD. 220	MOD. 240	MOD. 260
1	MARTINETTO	MR00016	MR00016	MR00016	MR00011	MR00011
2	VITE CAVA 3/8"	VI00300	VI00300	VI00300	VI00300	VI00300
3	RONDELLA 3/8"	RA00002	RA00002	RA00002	RA00002	RA00002
4	TUBO FLESSIBILE	TB00012	TB00012	TB00012	TB00012	TB00012
5	PERNO	PR00300	PR00300	PR00300	PR00300	PR00300
6	RONDELLA	RO00020	RO00020	RO00020	RO00020	RO00020
7	SPINA A SCATTO	SP00600	SP00600	SP00600	SP00600	SP00600
8	PORTA FLEX	PI00002	PI00002	PI00002	PI00002	PI00002
9	VITE	VI01235	VI01235	VI01235	VI01235	VI01235
10	RONDELLA	RO00602	RO00602	RO00602	RO00602	RO00602
11	DADO AUT. MR	DA00602	DA00602	DA00602	DA00602	DA00602
12	PIASTRA TIRANTE	PT00012	PT00012	PT00012	PT00012	PT00012
13	TIRANTE	EC00003	EC00003	EC00003	EC00003	EC00003
14	VITE	VI20100	VI20100	VI20100	VI20100	VI20100
15	RONDELLA	RO00020	RO00020	RO00020	RO00020	RO00020
16	ROTELLA	RE00001	RE00001	RE00001	RE00001	RE00001
17	DADO AUT M20	DA00020	DA00020	DA00020	DA00020	DA00020
18	REGGI TUBO	RG00002	RG00002	RG00002	RG00002	RG00002
19	PORTA CARDANO	PC00001	PC00001	PC00001	PC00001	PC00001
20	TERZO PUNTO H.	TP00041	TP00041	TP00041	TP00041	TP00041
20A	TERZO PUNTO F.					
21	STAFFA ATT. PIST.	PP00001	PP00001	PP00001	PP00001	PP00001
22	VITE TSPEI 14X25	VI00500	VI00500	VI00500	VI00500	VI00500
23	INGRASSATORE	IS00002	IS00002	IS00002	IS00002	IS00002
24	SPINA ELASTICA	SP00845	SP00845	SP00845	SP00845	SP00845
25	PERNO	PR00038	PR00038	PR00038	PR00038	PR00038
26	BILANCERE	BL00004	BL00004	BL00004	BL00004	BL00004
27	PERNO	PR00037	PR00037	PR00037	PR00037	PR00037
28	PERNO 3° PUNTO	PR00038	PR00038	PR00038	PR00038	PR00038
29	SUPP. RULLO	SU00560	SU00560	SU00560	SU00570	SU00570
30	RULLO	RL00075	RL00076	RL00077	RL00078	RL00079
31	RASCHIARULLO	RS00047	RS00048	RS00049	RS00050	RS00051
32	VITE TSPEI 14X40	VI00502	VI00502	VI00502	VI00502	VI00502
33	VITE	VI01230	VI01230	VI01230	VI01230	VI01230
34	RONDELLA	RO00602	RO00602	RO00602	RO00602	RO00602
35	DADO AUT. M14	DA00601	DA00601	DA00601	DA00601	DA00601
36	SPOST. MECC.	SM00011	SM00011	SM00011	SM00011	SM00011

TAVOLA - 3 - TFL.C

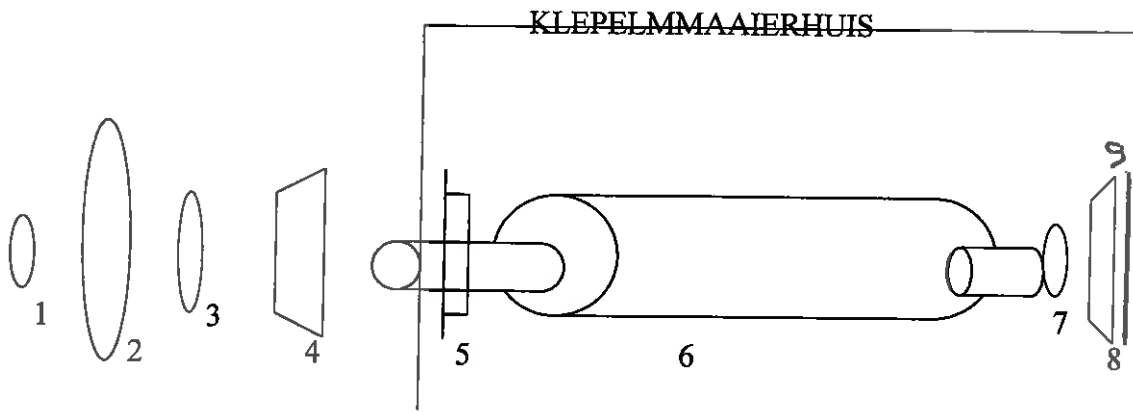


TANDWIELKAST

POS	DESCRIZIONE	TFL DA 090 A 220	TFL DA 240 A 260
	GRUPPO MOLTIPLICATORE	GR00120	GR00121
	GRUPPO MOLT. FRONTALE	GR00122	GR00123
1	CORPO ESTERNO	CP00122	CP00123
2	ALBERO	AL00115	AL00116
2A	ALBERO PER FRONTALE	AL00109	AL00110
3	RUOTA DENTATA	CR00110	CR00108
4	ALBERO DENTATO	PO00102	PO00101
5	FLANGIA	FL00517	FL00516
6	FLANGIA	FL00518	FL00515
7	CUSCINETTO	CU00403	CU00400
8	ANELLO	PO00515	PO00514
9	CUSCINETTO	CU00403	CU00401
10	ANELLO	PO00515	PO00513
11	CUSCINETTO	CU00402	CU00402
12	GUARNIZIONE	GU00509	GU00509
13	ANELLO SEEGER	SI00513	SI00513
14	GUARNIZIONE	GU00510	GU00505
15	GUARNIZIONE	GU00511	GU00504
16	VITE	VI00825	VI00825
17	RONDELLA GLOVER	GL00008	GL00008
18	TAPPO OLIO	AS00204	AS00202
19	CUSCINETTO	CU00404	CU00401
20	VITE 3/8"	TA00509	TA00509

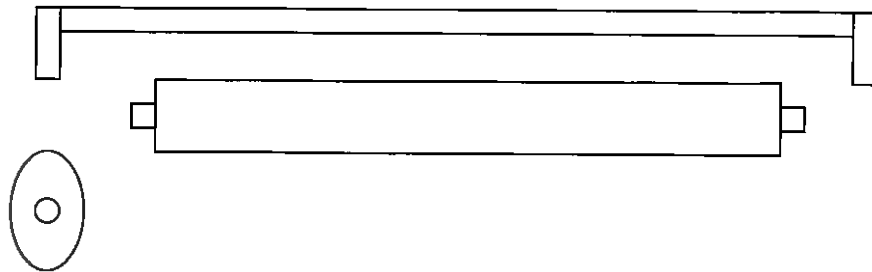
TAVOLA 04 TFL.C

OMARV KLEPELAS MET ASEINDEN VAN 45MM



1	CA00050	KLEMBUS 45MM
2	PU00875	POELIE
3	SU00951 K	LAGER 45MM <i>FAS</i>
4	SU02600	LAGERBLOK AANGEDREVEN ZIJDE
5	FL00200	BESCHERMING
6	RT01160	ROTORAS MET KLEPELS ASEINDE 45MM
7	SU00951 K	LAGER 45MM <i>FAS</i>
8	SU00500	LAGERBLOK NIET AANGEDREVEN ZIJDE
9	SP00004	OPVULPLAAT
9	SP00002	OPVULPLAAT

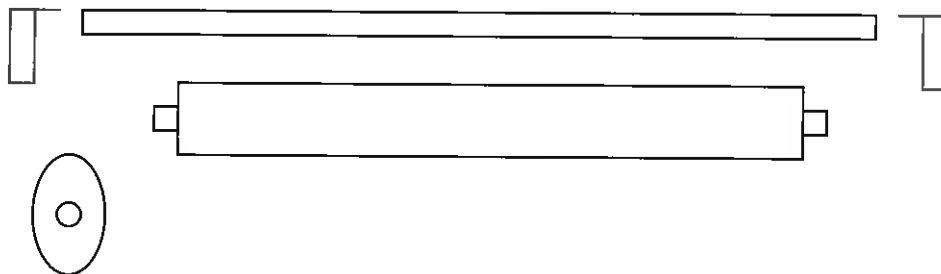
LOOPROL TFLC 200/220



Looprol t/m ca. 2000

LOOPROL TFLC200	23-RL00076
LOOPROL TFLC220	23-RL00077
SCHRAPER TFLC200	23-RS00048
SCHRAPER TFLC220	23-RS00049
LAGERBLOK	55-UCFL206
LAGER	55-UC206

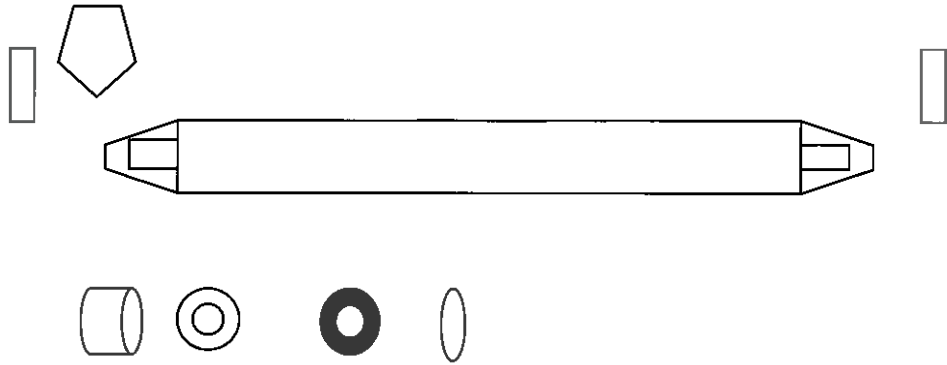
Looprol van ca. 2000 t/m 2005



LOOPROL TFLC200	23-RL00076
LOOPROL TFLC220	23-RL00077
SCHRAPER TFLC200	HOEKIJZER
SCHRAPER TFLC220	HOEKIJZER
LOOROLHOUDER RE.	23-ST00301
LOOPROLHOUDER LI.	23-ST00302
LAGERBLOK	55-UCFL206
LAGER	55-UC206

LOOPROL TFLC 200/220

Looprol vanaf 2006



LOOPROL TFLC 200
LOOPROL TFLC220

23-RL00076N
23-RL00077N

LOOPROLHOUDER LI/RE

23-0066007001

LAGERHUIS
LAGER

23-OMARV620
23-~~22207~~ 01022207000

KEERRING
SEEGERRING

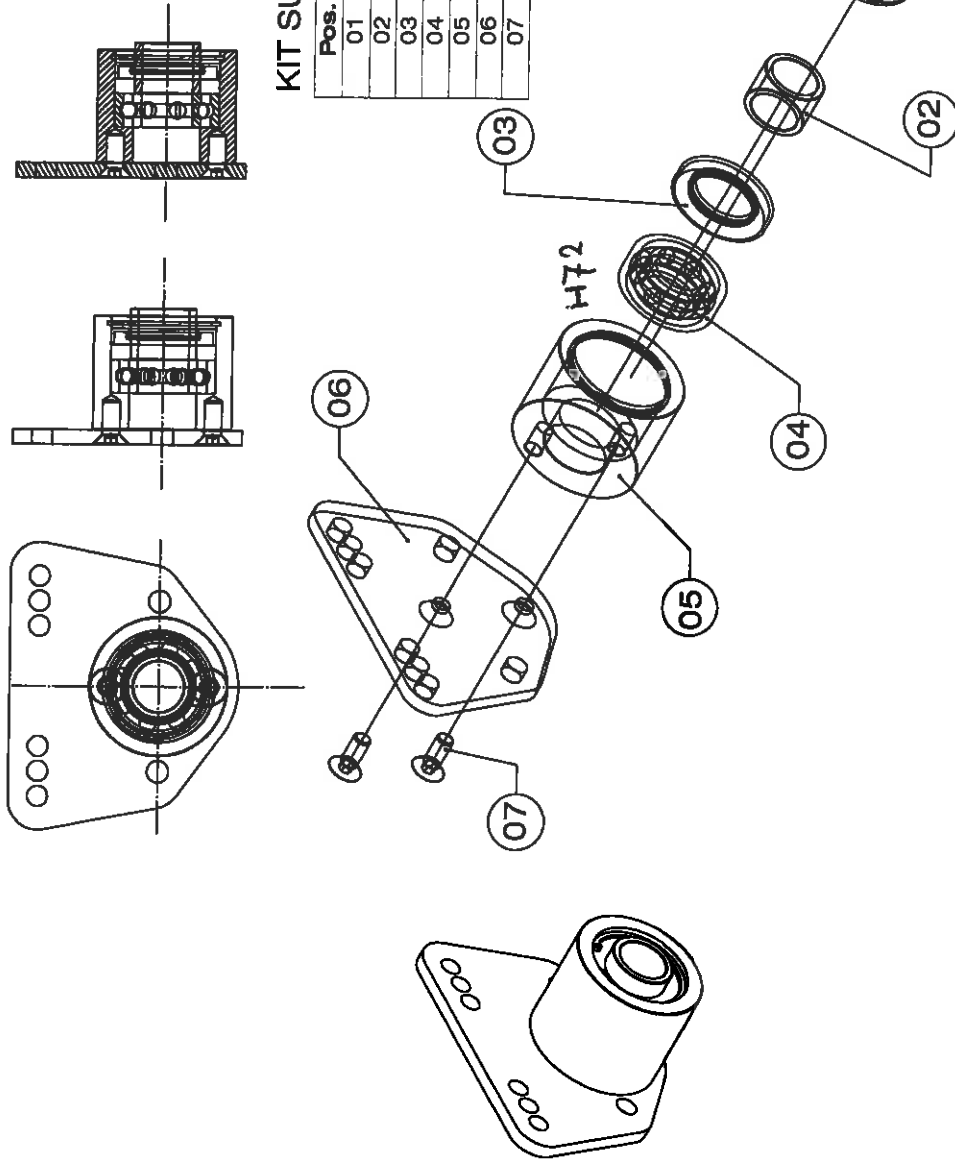
48-45X72X10
013-H72

VERZONKEN INBUS

M10X20 (2 per kant)
12x30

VANAF MEDIO 2009

TFL-C FRONT



KIT SUPPORTO RULLO SMI; TFL-C 00.21.035.000

Pos.	Codice	Descrizione	Q.ta
01	052.072.984	SEEGER H72	1
02	00.66.007.002	BOCCOLA Ø45 L=35	1
03	002.7245.10	PARAOLIO 45 X 72 X 10	1
04	010.22207.000	CUSCINETTO 22207 E KN 79,9 SKF	1
05	00.66.007.001	TUBO Ø95 X 25 TORNITO-ALESATO-FORATO L=78	1
06	08.39.000.003	PIASTRA SUPPORTO RULLO	1
07	047.59333120030	VITE M 12X30 TESTA SVASATA (NERA)	2

013-H72 2x seegeering

