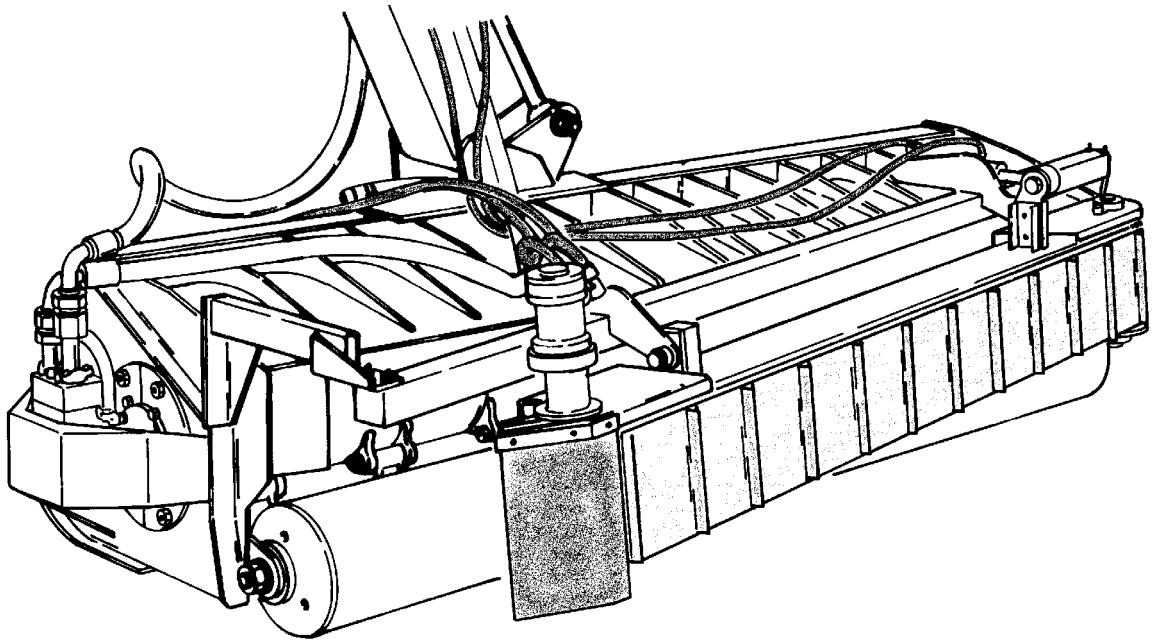




Gebruikershandleiding



Klepelmaaier KMDWHT 2,75 m met transportband

Herder B.V., Postbus 8010, 4330 EA Middelburg,
Telefoon +31(0)118-679500, Telefax +31(0)118-638730,
Herculesweg 6, Industrieterrein "Arnestein", 4338 PL Middelburg
www.herder.nl

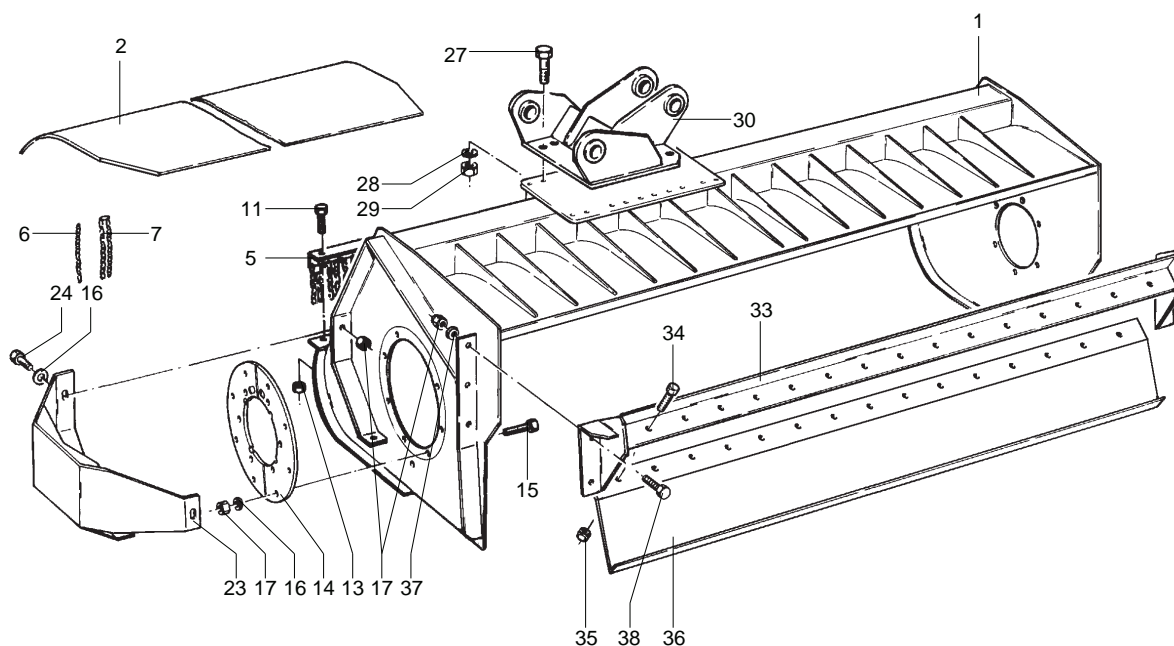
0901.1111

Vermeld bij het bestellen van onderdelen altijd de volgende gegevens van de machine:

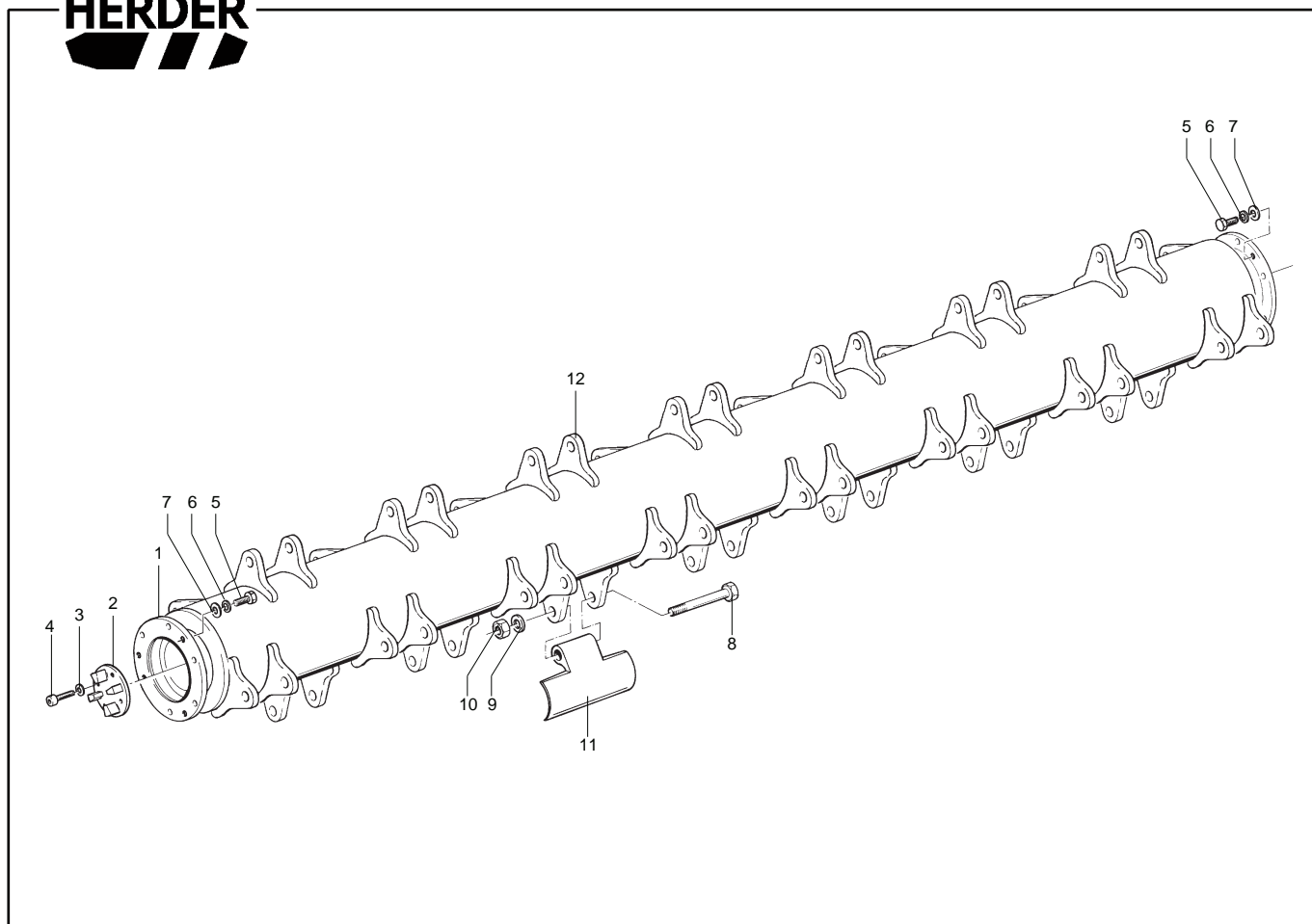
Productidentificatienummer + Bouwjaar

Inhoud

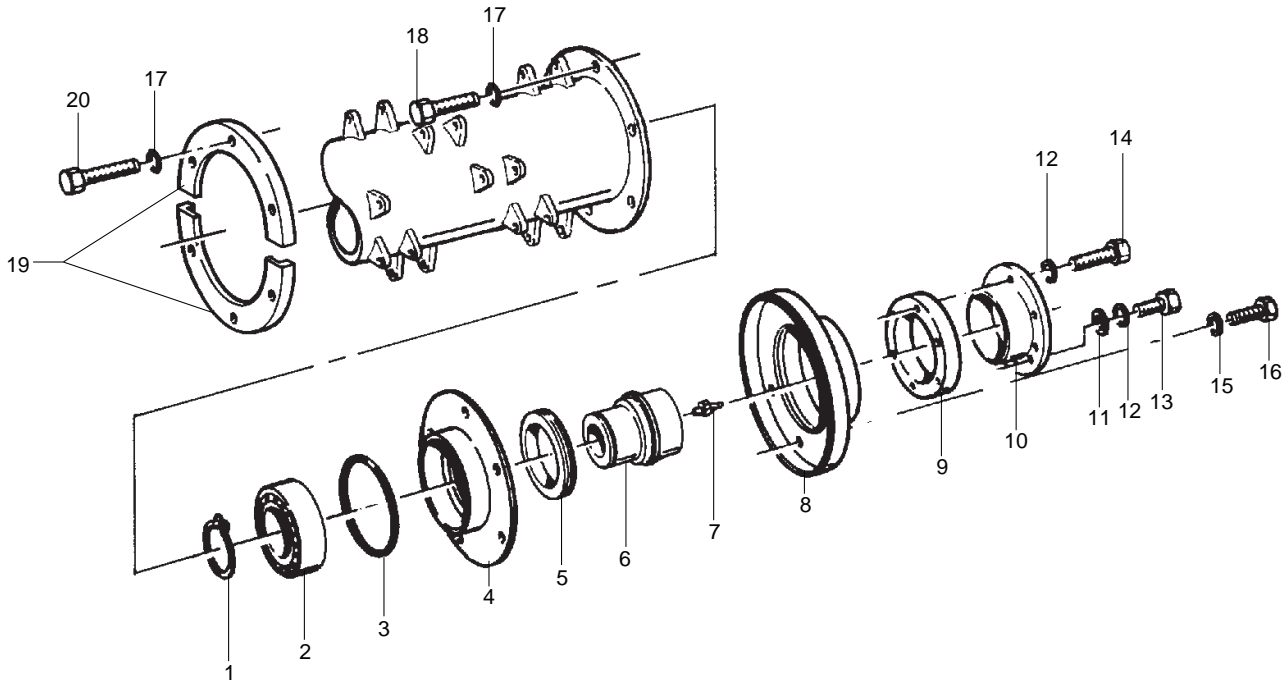
| | | |
|-------|--------|---|
| Groep | 150.11 | Klepelmaaierframe KMDHT 275 |
| Groep | 150.06 | Rotor KMDWHT 275 |
| Groep | 115.27 | Astap (niet aangedreven zijde) KMD |
| Groep | 150.10 | Astap met motor 350 bar KMDWHT 275 |
| Groep | 150.07 | Looprol KMDWHT 275 |
| Groep | 162.26 | Cilinder 40/25/100 (9430.0106) (opklappen transportband) |
| Groep | 150.15 | Klepelmaaierframe KMDT 275 met open voorzijde |
| Groep | 150.16 | Hydraulisch bedienbare klep met één cilinder aan KMDT 275 |
| Groep | 162.16 | Cilinder 40/25/150 (54.20.15.00) (klep voorzijde) |
| Groep | 150.17 | Ophanging transportband TKZ 275 |
| Groep | 150.18 | Rubber flap met kap transportband TKZ 275 |
| Groep | 150.19 | Transportband TSZ 275 Frame + rollen + transportband |
| Groep | 150.20 | Transportband TSZ 275 Aandrijving |
| Groep | 112.20 | Transportband TSZ Spanner-rol |



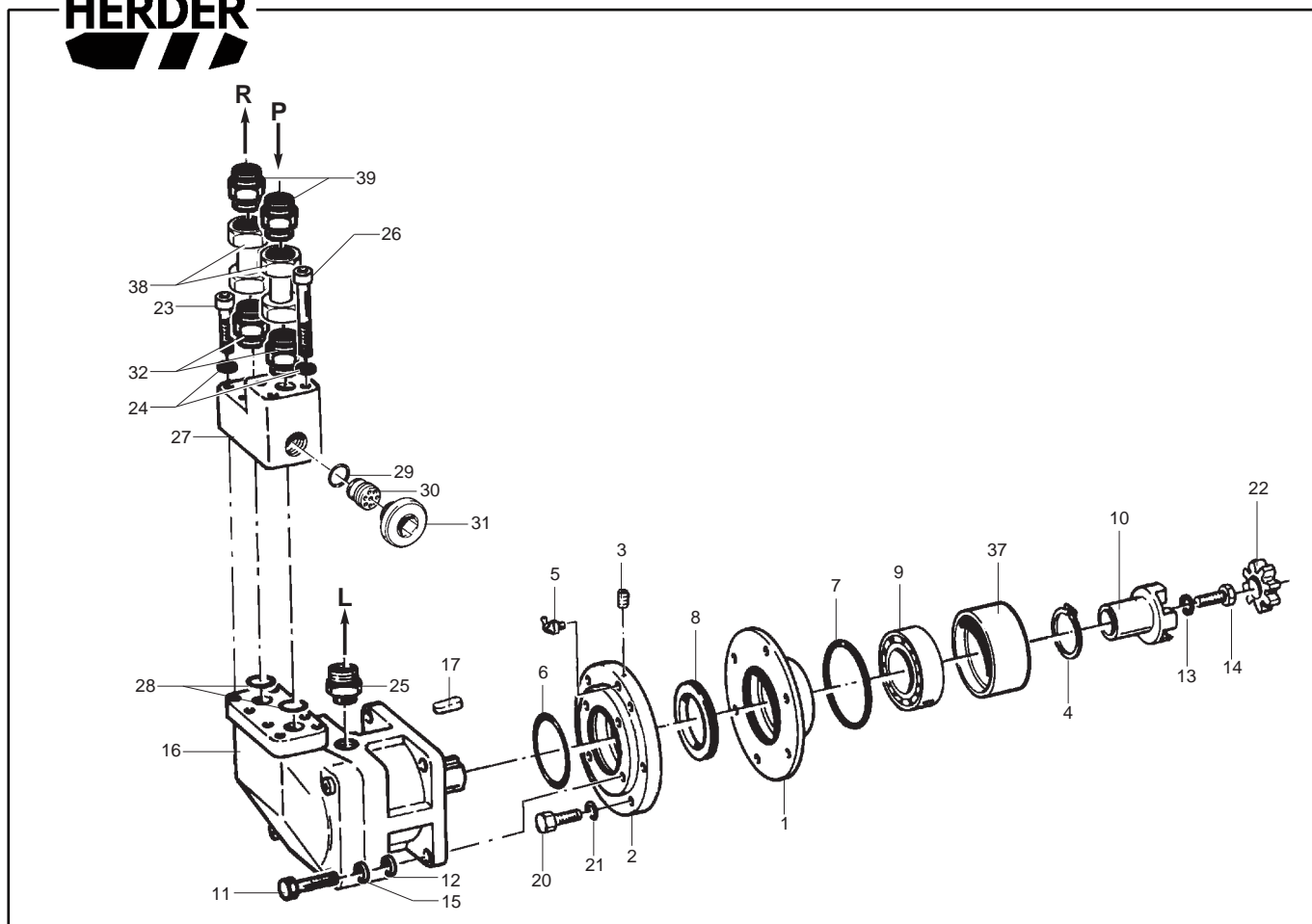
| Pos. Nr. | Bestelnr. | Benaming | Aantal | 1/1 |
|----------|-----------|---|--------|-----|
| 1 | 0432.1276 | Body Klepelmaaier KMDHT 2,75 m | 1 | |
| 2 | 0062.1749 | Body reparatieplaat (lasdeel) | 1 | |
| 5 | 0432.1113 | Kettingscherm (incl. pos. 6+7) | 2 | |
| 6 | 0081.0521 | Ketting (9 schakels) (lasdeel) | 4 | |
| 7 | 0081.0522 | Ketting (17 schakels) (lasdeel) | 102 | |
| 11 | 9101.0805 | Tapbout M8x20 DIN 933 | 16 | |
| 13 | 9154.0800 | Borgmoer M8 DIN 985 | 16 | |
| 14 | 0061.3869 | Gedeelde ring (350 bar motor) | 2 | |
| 15 | 9101.1205 | Tapbout M12x30 DIN 933 | 8 | |
| 16 | 9200.1200 | Sluitring SR 12 DIN 125.1 B | 8 | |
| 17 | 9154.1200 | Borgmoer M12 DIN 985 | 12 | |
| 23 | 0062.1753 | Beschermkap motor KMDH | 1 | |
| 24 | 9101.1204 | Tapbout M12x25 DIN 933 | 3 | |
| 27 | 9101.2005 | Tapbout M20x50 DIN 933 | 8 | |
| 28 | 9205.1900 | Veerring VR 20,2 DIN 128A | 8 | |
| 29 | 9150.2000 | Moer M20 DIN 985 | 8 | |
| 30 | 0857.1001 | Verzwaard ophangstuk KMD (pen topbus + pen bakcilinder ø35 mm) | 1 | |
| - | 0499.1008 | Afscherming KMD 2,75 m cpl. (pos. 33 t/m 36) | - | |
| 33 | 0432.1277 | Ophanging afscherming | 1 | |
| 34 | 9101.0805 | Tapbout M8x20 DIN 933 | 16 | |
| 35 | 9154.0800 | Borgmoer M8 DIN 985 | 16 | |
| 36 | 0062.1775 | Afschermplaat KMD 2,75 m | 1 | |
| 37 | 9202.1600 | Zware sluitring SR 12 DIN 7349 | 4 | |
| 38 | 9101.1206 | Tapbout M12x35 DIN 933 | 4 | |



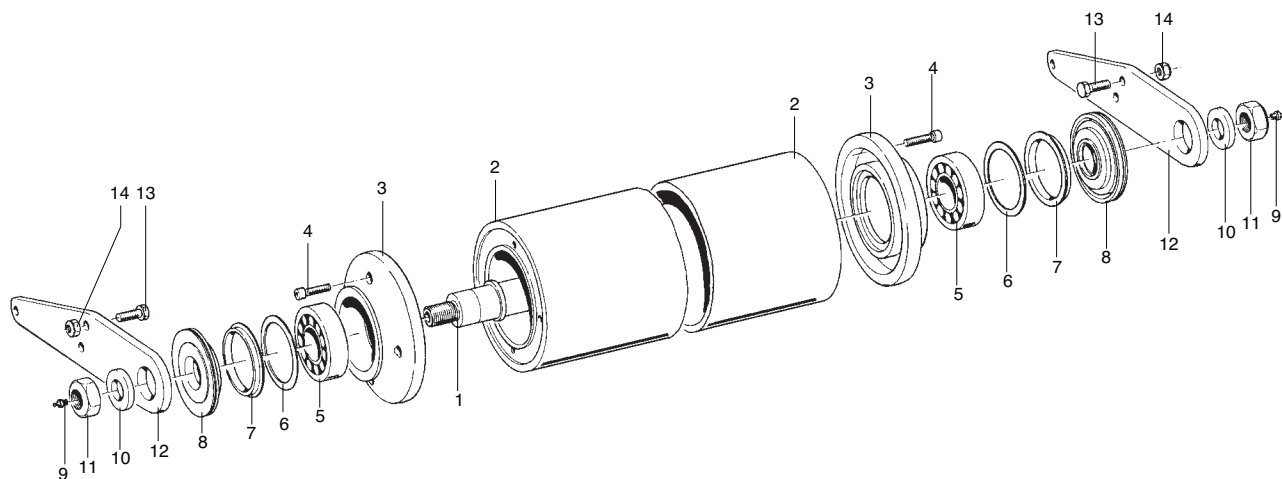
| Pos. Nr. | Bestelnr. | Benaming | Aantal | 1/1 |
|----------|-----------|------------------------------------|--------|-----|
| - | 0432.1196 | Rotor KMDW 275 geass. (pos.1 - 11) | 1 | |
| 1 | 0432.1194 | Rotor KMDW 275 (incl. pos. 12) | 1 | |
| 2 | 0023.0370 | Flenskoppeling | 1 | |
| 3 | 9206.0500 | Veerring VR 8,1 DIN 7980 | 6 | |
| 4 | 9105.0804 | Inbusbout M8x20 DIN 912 | 6 | |
| 5 | 9101.1200 | Tapbout M12x16 DIN 933 | 6 | |
| 6 | 9205.1400 | Veerring VR 12,2 DIN 128A | 6 | |
| 7 | 9200.1200 | Sluitring SR 12 DIN 125.1B | 6 | |
| 8 | 0081.0462 | Speciale bout M20x152 | 30 | |
| 9 | 9202.1900 | Zware sluitring SR 20 DIN 7349 | 30 | |
| 10 | 9154.2000 | Borgmoer M20 DIN 985 | 30 | |
| 11 | 9572.2004 | Houtklepel HK 52 Herder | 30 | |
| 12 | 0061.5264 | Rotorlip (KMDW 275) (lasdeel) | 60 | |



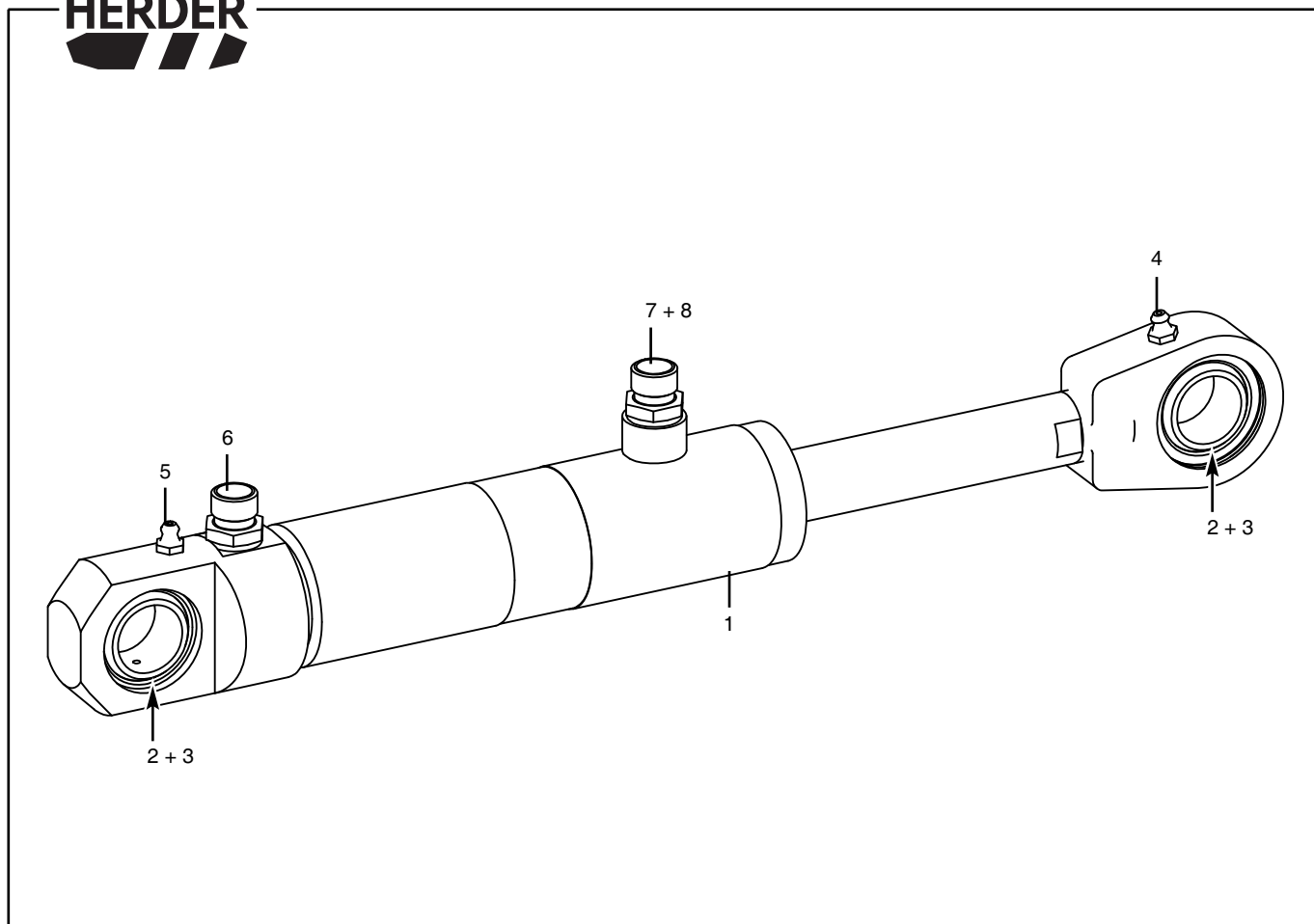
| Pos. Nr. | Bestelnr. | Benaming | Aantal | 1/1 |
|----------|-----------|---|--------|-----|
| - | 43.11.00 | Astap (niet aangedreven zijde) cpl. (pos. 1 t/m 14) | - | |
| 1 | 9210.5300 | Borgring A65 DIN 471 | 1 | |
| 2 | 9500.2027 | Hoekcontactlager 3213A/C3 $\varnothing 120 \times \varnothing 65 \times 38$ | 1 | |
| 3 | 9350.4360 | O-ring 135x3 | 1 | |
| 4 | 2.4.253 | Lagerhuis $\varnothing 214 \times \varnothing 120 \times 42$ | 1 | |
| 5 | 9351.0229 | V-ring $\varnothing 85 \times \varnothing 97 \times 9$ | 1 | |
| 6 | 2.2.66 | Astap $\varnothing 85 \times \varnothing 40 \times 108$ | 1 | |
| 7 | 9310.0006 | Smeernippel recht M8x1,25 | 1 | |
| 8 | 2.4.250 | Eindplaat $\varnothing 229 \times \varnothing 124 \times 65$ | 1 | |
| 9 | 1.1.156 | Conische klemring $\varnothing 124 \times \varnothing 89 \times 27$ | 1 | |
| 10 | 1.2.666 | Conische klembus $\varnothing 140 \times \varnothing 85 \times 44$ | 1 | |
| 11 | 9200.1000 | Sluitring SR10 DIN 125.1B | 3 | |
| 12 | 9205.1200 | Veerring VR10,2 DIN 128A | 9 | |
| 13 | 9101.1002 | Tapbout M10x16 DIN 933 | 3 | |
| 14 | 9101.1008 | Tapbout M10x35 DIN 933 | 6 | |
| 15 | 9205.1400 | Veerring VR12,2 DIN 128A | 6 | |
| 16 | 9101.1202 | Tapbout M12x20 DIN 933 | 6 | |
| 17 | 9205.1400 | Veerring VR12,2 DIN 128A | 6 | |
| 18 | 9101.1204 | Tapbout M12x25 DIN 933 | 6 | |
| | Optie : | Extra afdichting kan worden toegepast bij "Bodemfrees"-uitvoering. Bestaat uit : | | |
| 19 | 0061.6176 | Halve ring $\varnothing 260 \times \varnothing 176 \times 15$ | 2 | |
| 20 | 9101.1205 | Tapbout M12x30 DIN 933 | 6 | |



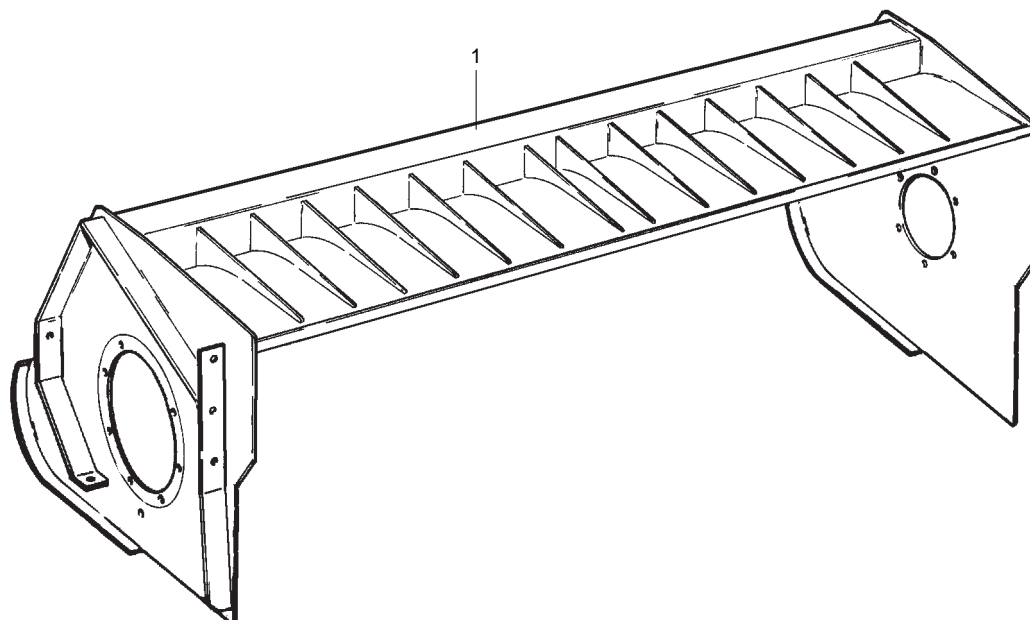
| Pos. Nr. | Bestelnr. | Benaming | Aantal | 1/1 |
|----------|-----------|---|--------|-----|
| - | 0852.1003 | Astap incl. motor 350 bar cpl. (Pos. 1 t/m 17) | - | |
| 1 | 2.4.254 | Lagerhuis $\varnothing 214 \times 120 \times 47$ | 1 | |
| 2 | 0024.0378 | Motorbev. plaat $\varnothing 230 \times 50 \times 76$ | 1 | |
| 3 | 9108.0601 | Stelschroef M6x8 DIN 913 | 1 | |
| 4 | 9210.5300 | Borring A 65 DIN 471 | 1 | |
| 5 | 9310.0203 | Smeernippel M8x1,25 - 45° | 1 | |
| 6 | 9350.4353 | O-ring 124,5x3 | 1 | |
| 7 | 9350.4360 | O-ring 135x3 | 1 | |
| 8 | 9351.0229 | V-ring $\varnothing 85 \times \varnothing 97 \times 9$ | 1 | |
| 9 | 9500.2027 | Lager 65x120x38,1 | 1 | |
| 10 | 0852.1004 | Koppelingshelft $\varnothing 95 \times \varnothing 31,75 \times 95$ | 1 | |
| 11 | 9100.1200 | Bout M12x45 DIN 931 | 4 | |
| 12 | 9200.1200 | Sluitring SR 12 DIN 125.1B | 4 | |
| 13 | 9205.1100 | Veerring VR 3/8" DIN 128A | 1 | |
| 14 | 9126.0203 | Bout 3/8" UNF x 2 1/4" | 1 | |
| 15 | 9205.1400 | Veerring VR 12,2 DIN 128A | 4 | |
| 16 | 9413.2000 | Oliemotor F12 60 cc HD | 1 | |
| - | 9358.0016 | Afdichtset oliemotor F12 60 cc HD | - | |
| 17 | 9256.5703 | Motorspie 7,94x7,94x38,1 | 1 | |
| 20 | 9105.1202 | Inbusbout M12x20 DIN 912 | 6 | |
| 21 | 9206.0700 | Veerring VR 12,2 DIN 7980 | 6 | |
| 22 | 9510.5007 | Tandkrans A 42 64D groen | 1 | |
| 23 | 9132.0307 | Inbusbout 3/8" UNC x 2" | 4 | |
| 24 | 9206.0600 | Veerring VR 10,2 DIN 7980 | 8 | |
| 25 | 9300.1163 | Rechte inschroefkoppeling 7/8"-14 UNF-15 mm | 1 | |
| 26 | 9132.0314 | Inbusbout 3/8" UNC x 3 1/2" | 4 | |
| 27 | 9420.4013 | Nazuigklep cpl. 3/4" 6000 PSI (incl. pos. 28, 29, 30, 31) | 1 | |
| 28 | 9350.4804 | O-ring $\varnothing 24,99 \times 3,53$ | 2 | |
| 29 | 9350.3223 | O-ring 25x2,5 | 1 | |
| 30 | 9302.0025 | Inbouw terugslagklep 1" 0,25 bar | 1 | |
| 31 | 9305.0105 | Afdichtstop 1" | 1 | |
| 32 | 9300.1039 | Rechte inschroefkoppeling 1"-30 mm | 2 | |
| 37 | 0023.0371 | Lageropsluitbus $\varnothing 132 \times \varnothing 110 \times 42$ | 1 | |
| 38 | 9300.3428 | Rechte koppeling 30 mm (moer-moer) | 2 | |
| 39 | 9300.1628 | Rechte koppeling 30 mm | 2 | |



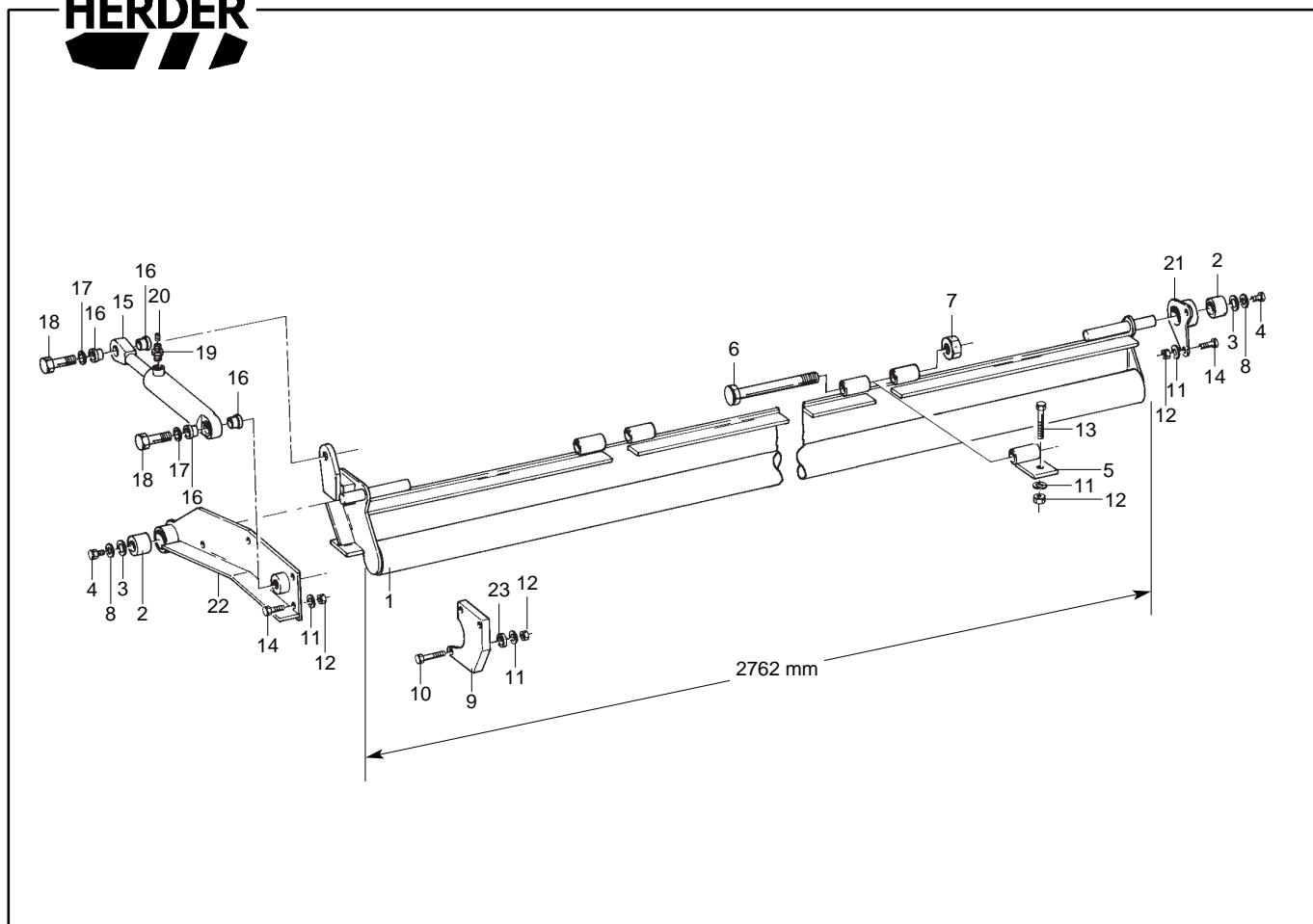
| Pos. Nr. | Bestelnr. | Benaming | Aantal | 1/1 |
|----------|-----------|---|--------|-----|
| - | 0432.1253 | Looprol KMD 2,75 m cpl. (pos. 1 t/m 11) | - | |
| 1 | 0432.1255 | As looprol ø50 | 1 | |
| 2 | 0432.1254 | Looprol ø244x2650 | 1 | |
| 3 | 0061.5490 | Lagerhuis ø250xø100x52 | 1 | |
| 4 | 9105.1007 | Inbusbout M10x40 DIN 912 | 8 | |
| 5 | 9500.2100 | Kogellager ø50xø110x27 | 2 | |
| 6 | 9217.9005 | Ring ø90xø110x0,5 | 2 | |
| 7 | 9351.0229 | V-ring ø85xø97x9 | 2 | |
| 8 | 0024.0510 | Ring ø126xø50x20 | 2 | |
| 9 | 9310.0006 | Smeernippel M8x1,25 - 180° | 2 | |
| 10 | 9202.1970 | Zware sluitring SR 30 DIN 7349 | 2 | |
| 11 | 9154.3000 | Borgmoer M30 DIN 985 | 2 | |
| 12 | 0061.5493 | Plaat looprolverstelling | 2 | |
| 13 | 9101.1206 | Tapbout M12x35 DIN 933 | 6 | |
| 14 | 9154.1200 | Borgmoer M12 DIN 985 | 6 | |



| Pos. Nr. | Bestelnr. | Benaming | Aantal | 1/1 |
|----------|-----------|---|--------|-----|
| 1 | 9430.0106 | Cilinder 40/25/100 (incl. Pos.Nr. 2 t/m 5) 2 x gelenklager Ø25 | 1 | |
| - | 9358.2033 | Afdichtset | - | |
| 2 | 9500.0001 | Gelenklager Ø25 | 2 | |
| 3 | 9211.3400 | Borgring J42 DIN 472 | 4 | |
| 4 | 9310.0001 | Smeernippel M6 - 180° | 1 | |
| 5 | 9310.0101 | Smeernippel M6 - 90° | 1 | |
| 6 | 9300.1007 | Inschroefkoppeling 1/4" - 10mm | 1 | |
| 7 | 0081.0610 | Inschroefkoppeling t.b.v. smoring 1/4" - 10mm | 1 | |
| 8 | 9310.1108 | Smoring 1/16" NPTFx0,8mm | 1 | |

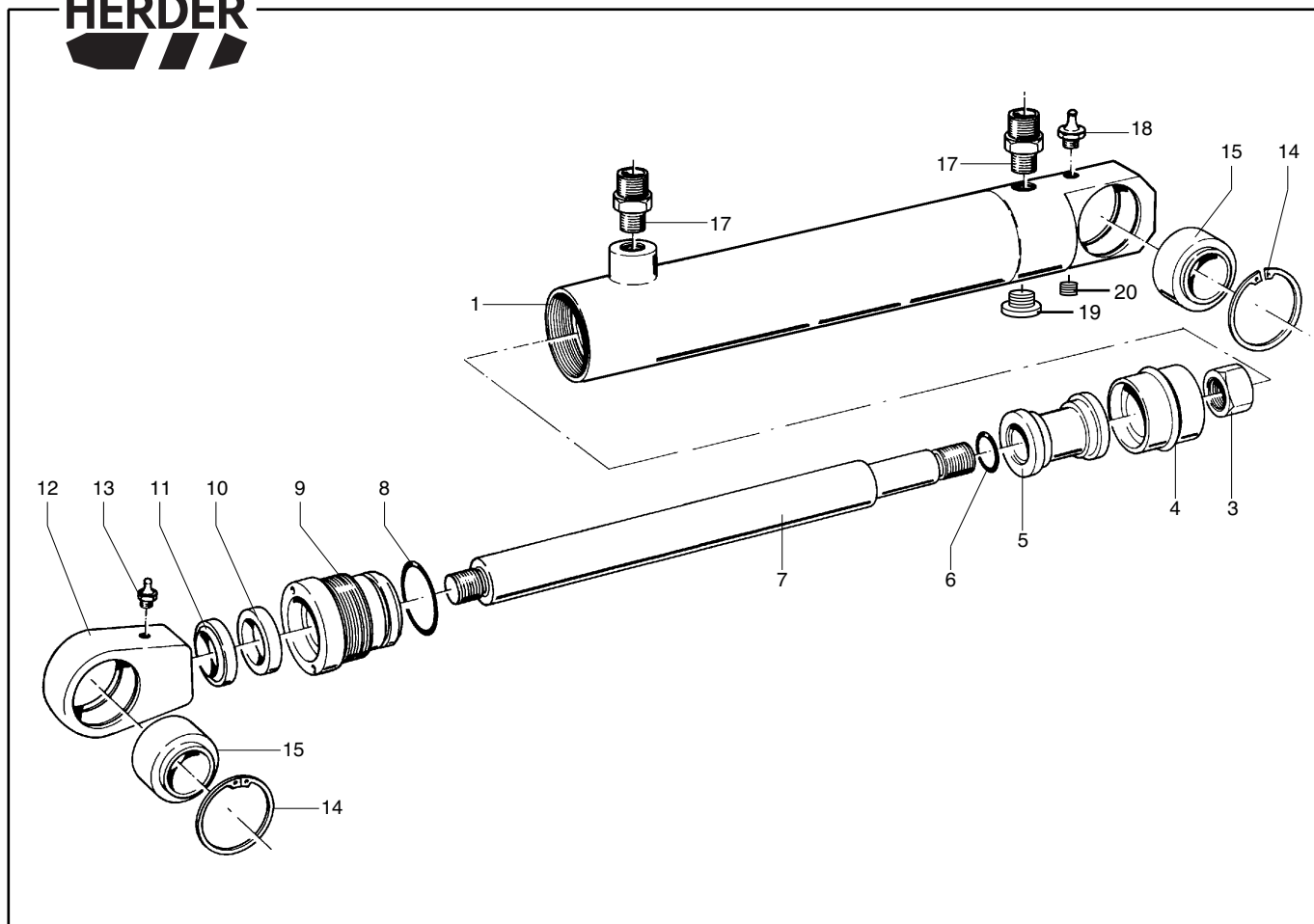


| Pos. Nr. | Bestelnr. | Benaming | Aantal | 1/1 |
|----------|-----------|--|--------|-----|
| 1 | 0432.1358 | Klepelmaaierframe KMDT 2,75 m met open voorzijde | 1 | |
| - | | Hieraan past de hydraulisch bedienbare klep van groep 150.16 | | |
| - | | Zie voor overige onderdelen: Groep 150.11 | | |

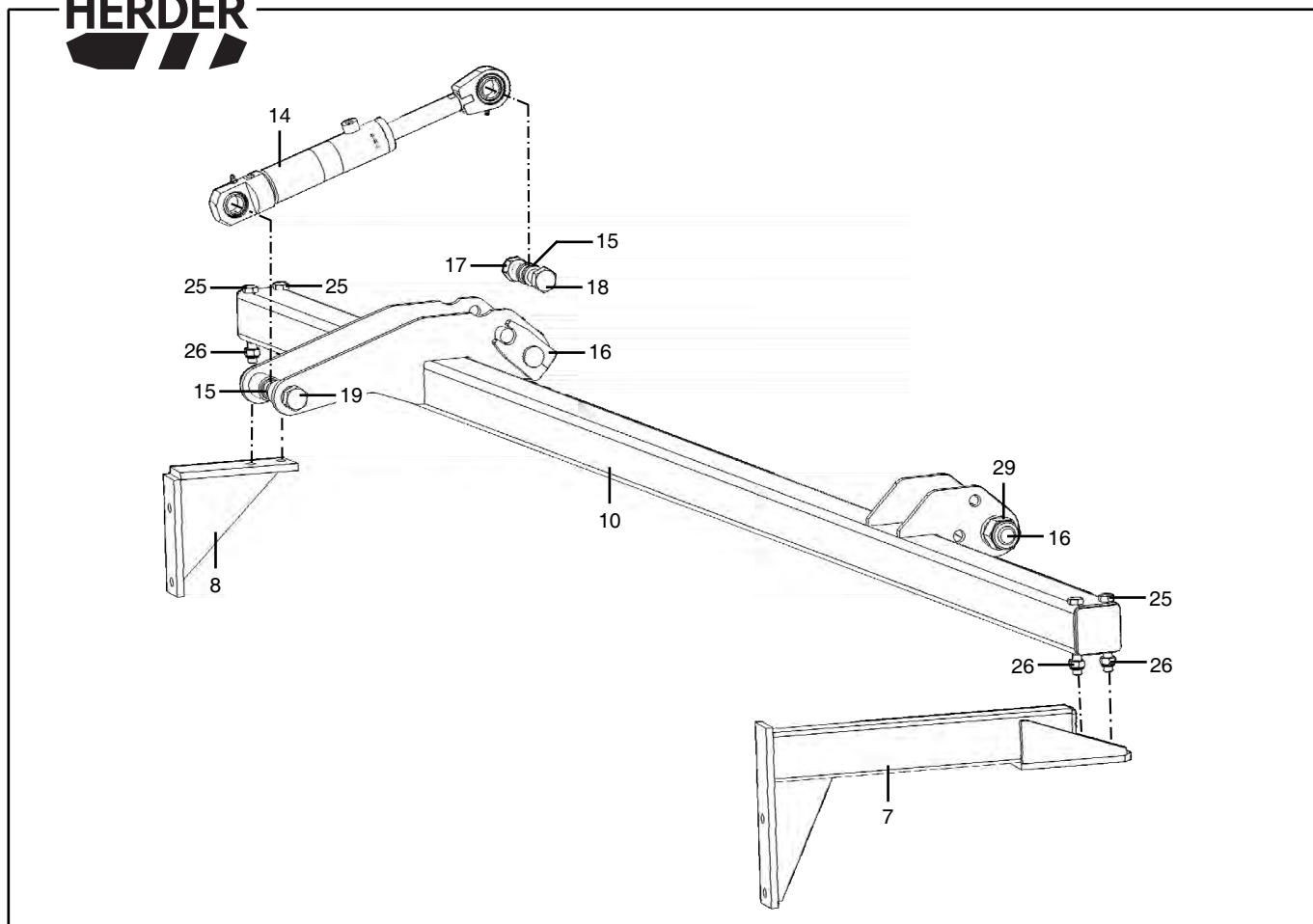


| Pos. Nr. | Bestelnr. | Benaming | Aantal | 1/1 |
|----------|-------------|--|--------|-----|
| - | 0432.1360 | Hydr. bedienbare klep 2,75 m cpl. (pos. 1 t/m 23) | - | |
| 1 | 0432.1359 | Hydr. bedienbare klep 2,75 m | 1 | |
| 2 | 0082.0292 | Nylon bus $\varnothing 40 \times \varnothing 25 \times 29$ | 2 | |
| 3 | 9203.0800 | Carrosseriering SR12 DIN 9021A | 2 | |
| 4 | 9101.1200 | Tapbout M12x16 DIN 933 | 2 | |
| 5 | 0432.1340 | Scharnierdeel | 4 | |
| 6 | 9100.1616 | Bout M16x180 DIN 931 | 4 | |
| 7 | 9154.1600 | Borgmoer M16 DIN 985 | 4 | |
| 8 | 9205.1400 | Veerring VR12,2 DIN 128A | 2 | |
| 9 | 0061.6655 | Aanslagblok | 2 | |
| 10 | 9100.1001 | Bout M10x45 DIN 931 | 6 | |
| 11 | 9205.1200 | Veerring VR10,2 DIN 128A | 17 | |
| 12 | 9150.1000 | Moer M10 DIN 934 | 17 | |
| 13 | 9100.1007 | Bout M10x75 DIN 931 | 4 | |
| 14 | 9101.1006 | Tapbout M10x25 DIN 933 | 7 | |
| 15 | 54.20.15.00 | Cilinder 40/25/150 | 1 | |
| 16 | 1.2.760 | Bus $\varnothing 25 - \varnothing 20$ | 4 | |
| 17 | 9200.1600 | Sluitring SR20 DIN 125.1B | 2 | |
| 18 | 9101.2005 | Tapbout M20x50 DIN 933 | 2 | |
| 19 | 0081.0610 | Rechte inschroefkoppeling t.b.v. smoring 1/4" - 10 mm | 1 | |
| 20 | 9310.1108 | Smoring 1/16" NPTF x 0,8 mm | 1 | |
| 21 | 0432.1341 | Scharnierdeel, niet aangedreven zijde | 1 | |
| 22 | 0432.1342 | Scharnierdeel, aangedreven zijde | 1 | |
| 23 | 9202.1500 | Zware sluitring SR10 DIN 7349 | 6 | |

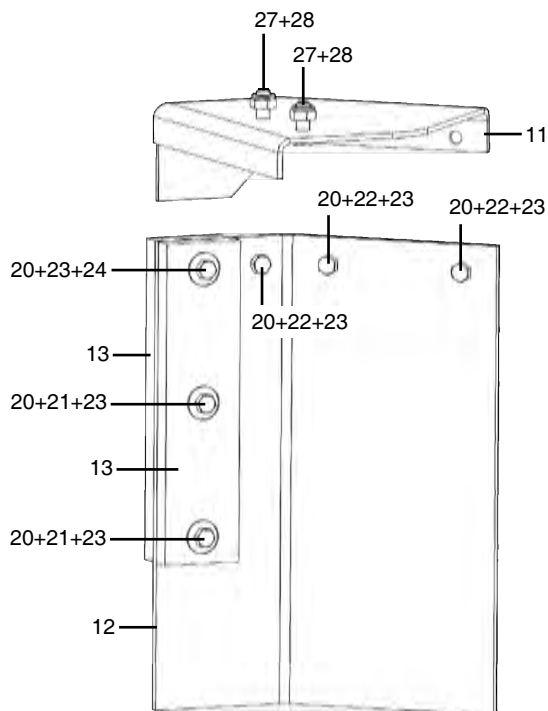
*Deze klep wordt gemonteerd aan een frame van groep 150.15



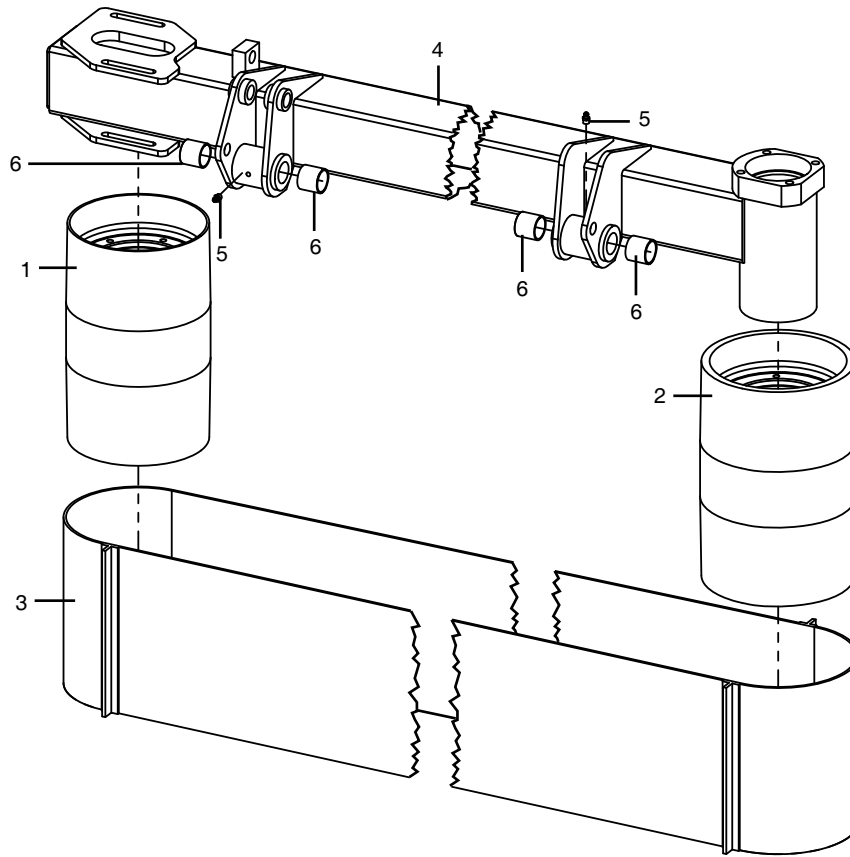
| Pos. Nr. | Bestelnr. | Benaming | Aantal | 1/1 |
|----------|-------------|--|--------|-----|
| - | 54.20.15.00 | Cilinder 40/25/150 cpl. 2 x gelenklager ø25 | - | |
| - | 9358.2013 | Afdichtingsset (Pos. 4, 6, 8, 10, 11) | - | |
| 1 | 54.20.15.01 | Cilindermantel inwendig ø40 | 1 | |
| 3 | 9150.1601 | Moer M16x1,5 DIN 934 | 1 | |
| 4 | ----- | Zuigermanchet ø40xø24 | 1 | |
| 5 | 2.4.286 | Zuiger ø40 | 1 | |
| 6 | ----- | O-ring 18,1x1,6 | 1 | |
| 7 | 3.1.174 | Cilinderstang ø25 | 1 | |
| 8 | ----- | O-ring 34,59x2,62 | 1 | |
| 9 | 2.4.285 | Cilinderdeksel ø40 | 1 | |
| 10 | ----- | Stangmanchet ø25xø33x6,3 | 1 | |
| 11 | ----- | Vuilafstrijder ø25xø35x5-7 | 1 | |
| 12 | 9500.0008 | Gelenkkop (incl. pos. 13, 14 en 15) | 1 | |
| 13 | 9310.0001 | Smeernippel recht M6 | - | |
| 14 | 9211.3400 | Borring J42 DIN 472 | 1 | |
| 15 | 9500.0001 | Gelenklager ø25 | 2 | |
| 17 | 9300.1007 | Inschroefkoppeling 1/4"-10 mm | 2 | |
| 18 | 9310.0006 | Smeernippel recht M8x1,25 | 1 | |
| 19 | 9305.0101 | Afdichtstop 1/4" | 1 | |
| 20 | 9112.0800 | Stelschroef M8x8 DIN916 | 1 | |



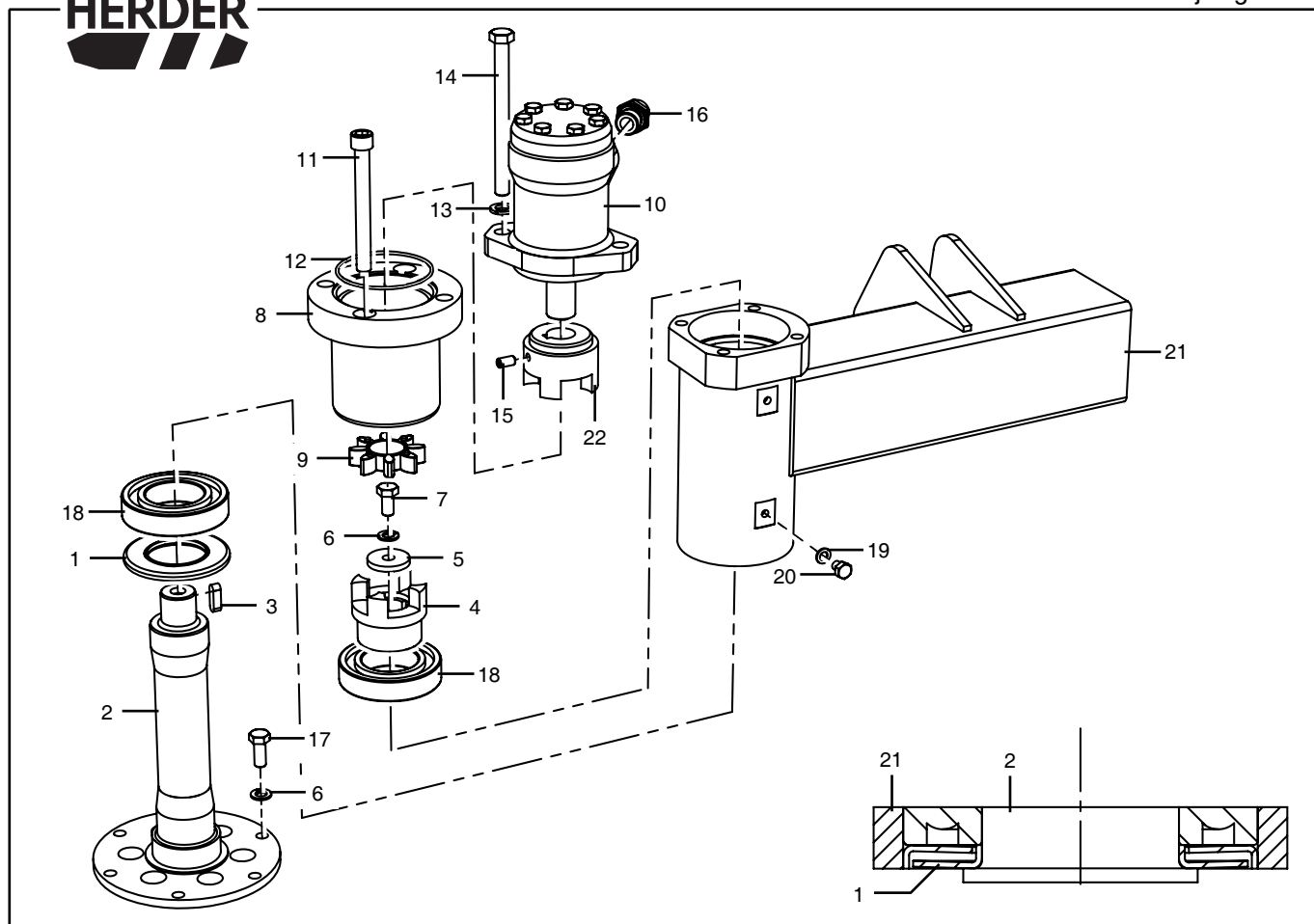
| Pos. Nr. | Bestelnr. | Benaming | Aantal | 1/1 |
|----------|-----------|--|--------|-----|
| 7 | 0492.1140 | Ophangsteun links TRB 275 | 1 | |
| 8 | 0492.1139 | Opnangsteun rechts TRB 275 | 1 | |
| 10 | 1222.1140 | Ophangstuk TRB 275 | 1 | |
| 14 | 9430.0106 | Cilinder 40/25/100 | 1 | |
| 15 | 1.2.760 | Bus $\varnothing 29 \times \varnothing 25 \times \varnothing 20 \times 14$ | 4 | |
| 16 | 1222.1057 | Pen $\varnothing 30 \times 135$ | 2 | |
| 17 | 9154.2000 | Borgmoer M20 DIN 985 | 2 | |
| 18 | 9100.2007 | Bout M20x110 DIN 931 | 1 | |
| 19 | 9100.2012 | Bout M20x160 DIN 931 | 1 | |
| 25 | 9100.1210 | Bout M12x100 DIN 931 | 4 | |
| 26 | 9154.1200 | Borgmoer M12 DIN 985 | 4 | |
| 29 | 9154.2700 | Borgmoer M27 DIN 985 | 2 | |



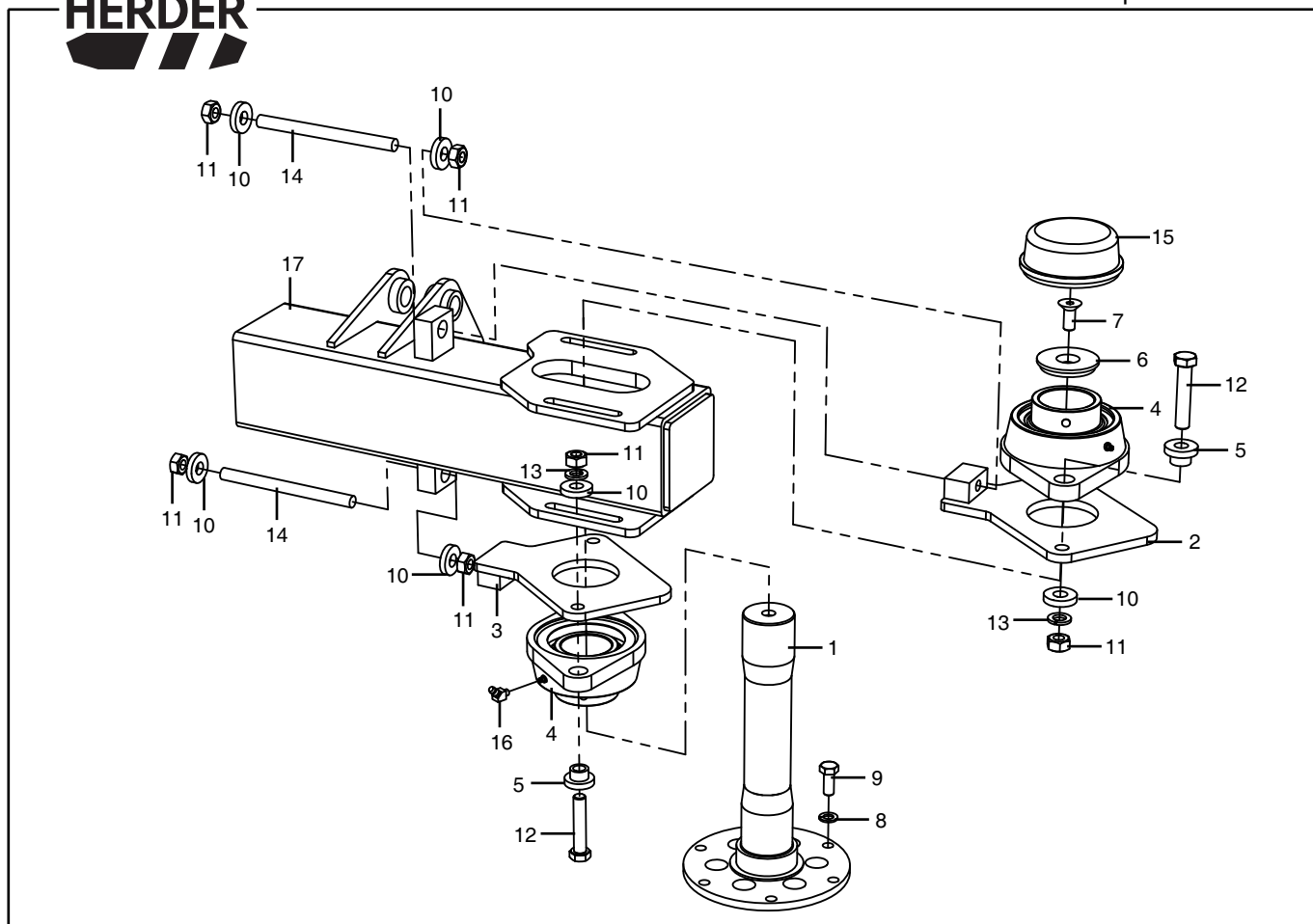
| Pos. Nr. | Bestelnr. | Benaming | Aantal | 1/1 |
|----------|-----------|-------------------------------|--------|-----|
| 11 | 0062.3347 | Kap TSZ / TKZ 275 | 1 | |
| 12 | 0082.0509 | Rubber flap | 1 | |
| 13 | 0082.0472 | Flexibele strip | 2 | |
| 20 | 9203.0600 | Carrosseriering SR 8 DIN9021A | 9 | |
| 21 | 9100.0803 | Bout M8x50 DIN931 | 2 | |
| 22 | 9101.0806 | Tapbout M8x22 DIN933 | 3 | |
| 23 | 9154.0800 | Borgmoer M8 DIN985 | 6 | |
| 24 | 9100.0804 | Bout M8x55 DIN931 | 1 | |
| 27 | 9101.1006 | Tapbout M10x25 DIN933 | 2 | |
| 28 | 9154.1000 | Borgmoer M10 DIN985 | 2 | |



| Pos. Nr. | Bestelnr. | Benaming | Aantal | 1/1 |
|----------|-----------|--|--------|-----|
| - | 1222.1139 | Transportband TSZ 275 compleet | - | |
| 1 | 1226.1003 | Rol TSZ | 1 | |
| 2 | 1226.1004 | Aandrijfrol TSZ bekleed | 1 | |
| 3 | 9590.0225 | Transportband TSZ 275 met 25 meenemers | 1 | |
| 4 | 1222.1138 | Frame TSZ 275 (incl.pos. 6) | 1 | |
| 5 | 9310.0006 | Smeernippel M8x1,25 180° | 2 | |
| 6 | 9500.5030 | Lagerbus Ø34xØ30x30 | 4 | |



| Pos. Nr. | Bestelnr. | Benaming | Aantal | 1/1 |
|----------|-----------|---|--------|-----|
| 1 | 9501.2101 | Afdichtplaat 50x90x6 | 1 | |
| 2 | 1226.1001 | Aandrijfvas TSZ | 1 | |
| 3 | 9256.0801 | Spie 8x7x25 DIN6885A | 1 | |
| 4 | 0024.0718 | Koppelingshelft Ø25mm | 1 | |
| 5 | 0024.0719 | Ring Ø37xØ10x5 | 1 | |
| 6 | 9205.1200 | Veerring VR10,2 DIN128A | 7 | |
| 7 | 9101.1004 | Tapbout M10x20 DIN933 | 1 | |
| 8 | 1.2.355 | Koppelingshuis | 1 | |
| 9 | 9510.5013 | Tandkrans A28 64D-H groen | 1 | |
| 10 | 9413.1112 | Oliemotor OMP 80,3cc HPS as Ø25 | 1 | |
| 10 a | 9358.0023 | Afdichtset oliemotor OMP 80,3cc | - | |
| 11 | 9105.1217 | Inbusbout M12x110 DIN912 | 2 | |
| 12 | 9350.3266 | O-ring 85x2 | 1 | |
| 13 | 9205.1400 | Veerring VR12,2 DIN128A | 2 | |
| 14 | 9100.1214 | Bout M12x140 DIN931 | 2 | |
| 15 | 9112.0803 | Stelschroef M8x16 DIN916 | 1 | |
| 16 | 9300.1014 | R.inschroefkoppeling 1/2"-15mm | 2 | |
| 17 | 9101.1006 | Tapbout M10x25 DIN933 | 6 | |
| 18 | 9500.2110 | Groefkogellager 50x90x20 6210.2RS1 / C3 | 2 | |
| 19 | 9353.0040 | Rood-koperen ring Ø8xØ14x1,5 | 2 | |
| 20 | 9101.0800 | Tapbout M8x10 DIN933 | 2 | |
| 21 | ----- | Frame | - | |
| 22 | 0024.0551 | Koppelingshelft Ø25mm | 1 | |



| Pos. Nr. | Bestelnr. | Benaming | Aantal | 1/1 |
|----------|-----------|------------------------------|--------|-----|
| 1 | 1226.1002 | As TSZ | 1 | |
| 2 | 1222.1031 | Spanner boven | 1 | |
| 3 | 1222.1032 | Spanner onder | 1 | |
| 4 | 9500.2142 | Kogellagerblok Ø50 INA | 2 | |
| 5 | 0023.0689 | Bus Ø29xØ12x16 | 4 | |
| 6 | 0024.0724 | Ring Ø56xØ11x8 | 1 | |
| 7 | 9107.1004 | Inbusschroef M10x25 DIN7991 | 1 | |
| 8 | 9205.1200 | Veerring VR10,2 DIN128A | 6 | |
| 9 | 9101.1006 | Tapbout M10x25 DIN933 | 6 | |
| 10 | 9202.1600 | Zware sluitring SR12 DIN7349 | 8 | |
| 11 | 9150.1200 | Moer M12 DIN934 | 8 | |
| 12 | 9100.1203 | Bout M12x60 DIN931 | 4 | |
| 13 | 9205.1400 | Veerring VR12,2 DIN128A | 4 | |
| 14 | 0081.0795 | Draadstang M12x153 | 2 | |
| 15 | 9501.1008 | Deksel Ø50mm INA | 1 | |
| 16 | 9310.0209 | Smeernippel 1/8"Gas 45° | 2 | |
| 17 | ----- | Frame | - | |