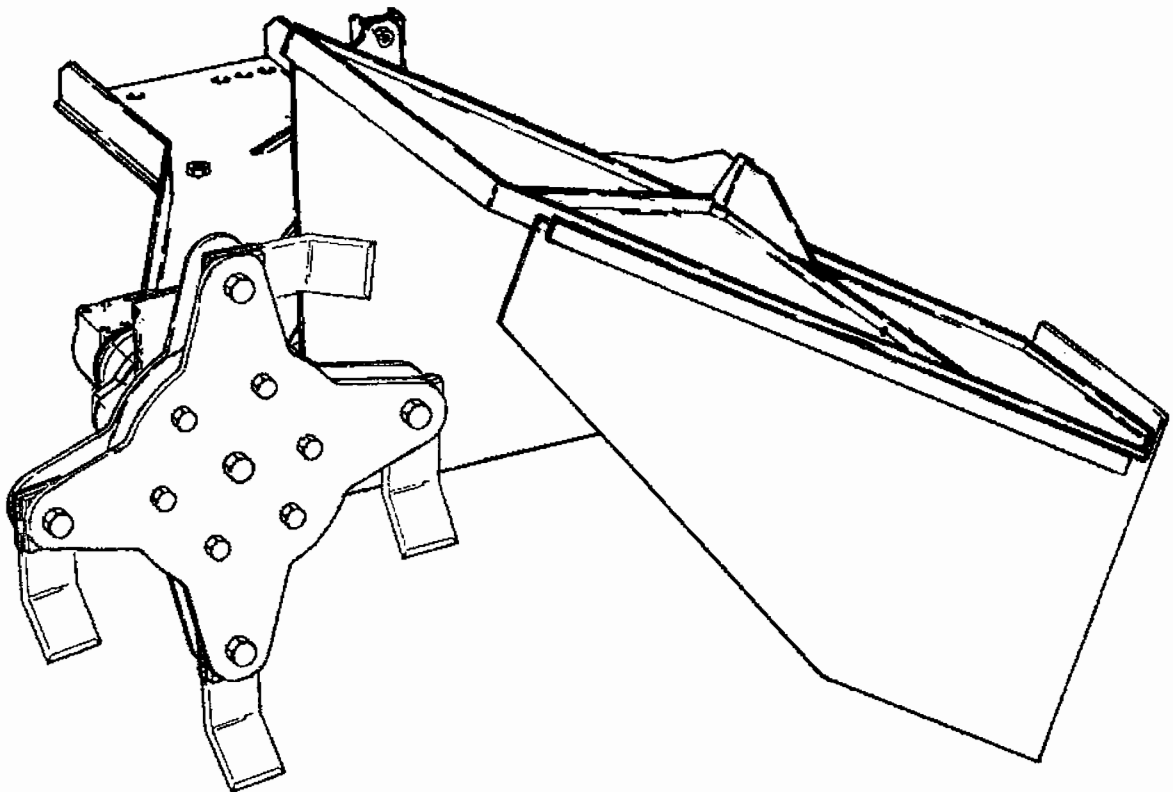




HERDER B.V.  
MACHINEFABRIEK  
MIDDELBURG

# Gebbruikershandleiding



## Bodemfrees BFD/BFDH

Herder B.V., Postbus 8010, 4330 EA Middelburg, Telefoon +31(0)118-679500,  
Magazijn +31(0)118-679550, Telefax +31(0)118-638730, Herculesweg 6,  
Industrieterrein "Arnestein", 4338 PL Middelburg

0901.1009



## Onderdelenlijsten

Vermeld bij het bestellen van onderdelen altijd de volgende gegevens van de machine:

1. Typenummer
2. Serienummer
3. Bouwjaar

### *Inhoud*

- |          |        |   |
|----------|--------|---|
| 1. Groep | 043.02 | Bodemfrees unit 58,8 cc BFD rechtswerkend |
| 2. Groep | 043.03 | Bodemfrees unit 80,1 cc BFD rechtswerkend |
| 3. Groep | 043.04 | Bodemfrees unit 58,8 cc BFD linkswerkend  |
| 4. Groep | 043.05 | Bodemfrees unit 80,1 cc BFD linkswerkend  |

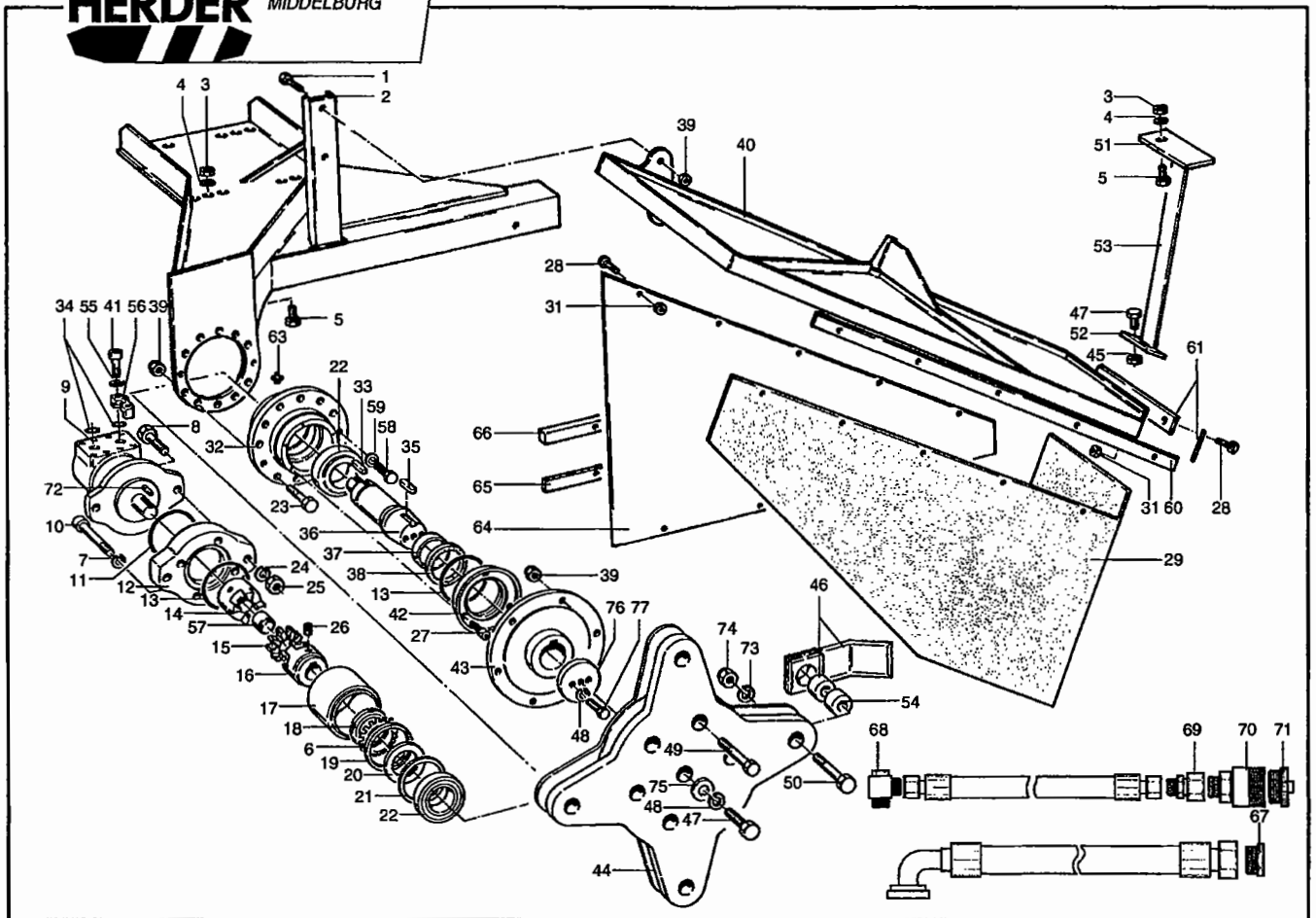




HERDER BV  
MACHINEFABRIEK  
MIDDELBURG

Groep 043.02

Bodemfrees unit 58,8 cc BFD rechtswerkend



| Pos. Nr. | Bestelnr. | Benaming                          | Aantal | 1/3 |
|----------|-----------|-----------------------------------|--------|-----|
| 1        | 9101.1205 | Tapbout M12x30 DIN 933            | 3      |     |
| 2        | 49.30.11  | Bodemfrees-bevestiging            | 1      |     |
| 3        | 9150.2000 | Moer M20 DIN 934                  | 5      |     |
| 4        | 9205.1900 | Veerring VR 20,2 DIN 128A         | 5      |     |
| 5        | 9101.2003 | Tapbout M20x40 DIN 933            | 5      |     |
| 6        | 9214.1000 | Borgring as ø50 mm                | 1      |     |
| 7        | 9206.0700 | Veerring VR12,2 DIN 7980          | 4      |     |
| 8        | 9100.1403 | Bout M14x65 DIN 931               | 2      |     |
| 9        | 9413.0003 | Oliemotor 58,8 cc BF              | 1      |     |
| -        | 9358.0002 | Afdichtingsset ollemotor          | -      |     |
| 10       | 9105.1217 | Inbusbout M12x110 DIN 912         | 4      |     |
| 11       | 9350.4845 | O-ring ø72,62x3,53                | 1      |     |
| 12       | 6.1.955   | Bevestigingsplaat motor           | 1      |     |
| 13       | 9350.2473 | O-ring ø85x2                      | 2      |     |
| 14       | 2.4.92    | Koppelingshelft                   | 1      |     |
| 15       | 9510.5013 | Koppelingsrubber A28 64 D-H groen | 1      |     |
| 16       | 2.4.93    | Koppelingshelft                   | 1      |     |
| 17       | 1.2.492   | Koppelingshuis                    | 1      |     |
| 18       | 9153.1000 | Stelmoer KM10                     | 1      |     |
| 19       | 9354.3400 | Oliekeerring ø75xø90x8            | 1      |     |
| 20       | 1.1.89    | Loopring                          | 1      |     |
| 21       | 1.1.90    | Afstandsring                      | 1      |     |
| 22       | 9500.2007 | Kegellager ø50xø90x28             | 2      |     |
| 23       | 9100.1200 | Bout M12x45 DIN 931               | 10     |     |
| 24       | 9205.1600 | Veerring VR14,2 DIN 128A          | 2      |     |
| 25       | 9150.1400 | Moer M14 DIN 934                  | 2      |     |
| 26       | 9112.0803 | Stelschroef M8x16 DIN 916         | 2      |     |
| 27       | 9105.0603 | Inbusbout M6x16 DIN 912           | 3      |     |
| 28       | 9101.0807 | Tapbout M8x25 DIN 933             | 14     |     |
| 29       | 0082.0223 | Rubber flap                       | 1      |     |
| 31       | 9154.0800 | Borgmoer M8 DIN 985               | 14     |     |
| 32       | 0012.1108 | Lagerhuis                         | 1      |     |
| 33       | 9256.0803 | Spie 8x7x36 DIN 6885A             | 1      |     |
| 34       | 9350.4810 | O-ring ø32,93x3,53                | 2      |     |
| 35       | 9256.1406 | Spie 14x9x50 DIN 6885A            | 1      |     |
| 36       | 0022.0335 | Aandrijfias met conisch gedeelte  | 1      |     |

PR  
03Feb05/W18

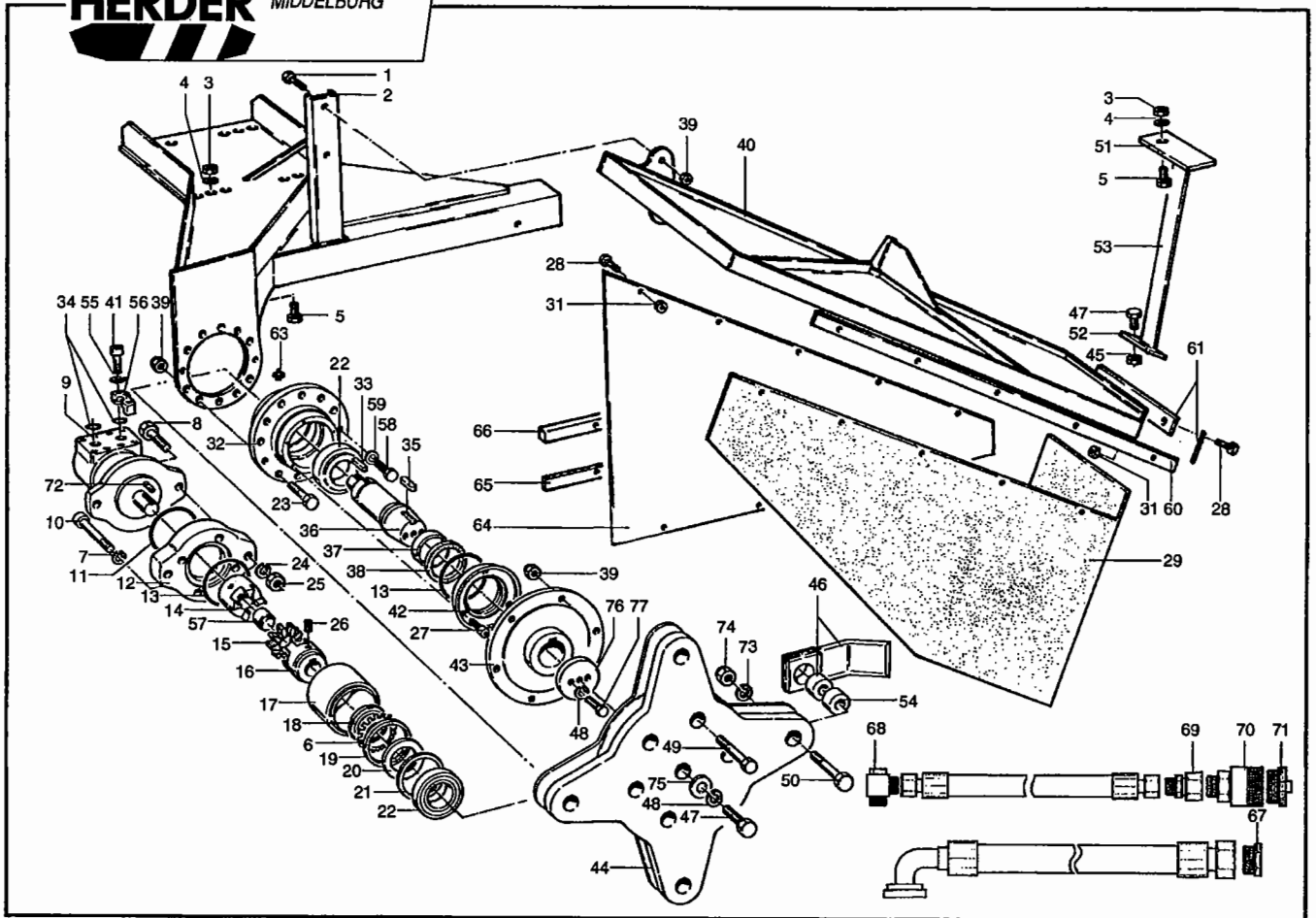




HERDER BV  
MACHINEFABRIEK  
MIDDELBURG

Groep 043.02

Bodemfrees unit 58,8 cc BFD rechtswerkend



| Pos. Nr. | Bestelnr. | Benaming  | Aantal | 2/3 |
|----------|-----------|---|--------|-----|
| 37       | 9502.0006 | Loopring $\varnothing 55 \times \varnothing 60 \times 15$                                 | 1      |     |
| 38       | 9354.2805 | Oliekeerring $\varnothing 60 \times \varnothing 75 \times 8$                              | 1      |     |
| 39       | 9154.1200 | Borgmoer M12 DIN 985  | 19     |     |
| 40       | 49.30.12  | Kap tbv bodemfrees  | 1      |     |
| 41       | 9130.0200 | Bout 3/8" UNC x 1 1/2"  | 8      |     |
| 42       | 1.1.127   | Houdring  | 1      |     |
| 43       | 0024.0691 | Naaf met conisch gat  | 1      |     |
| 44       | 0492.1096 | Klepelschijf hardox   | 1      |     |
| 45       | 9154.1600 | Borgmoer M16 DIN 985  | 1      |     |
| 46       | 8.1.104   | Klepel  | 4      |     |
| 46       | 2.43.12   | Klepel met nylon bus<br>klepel = 8.1.104<br>nylon bus = 8.2.46 (inw. $\varnothing 16$ mm) | 4      |     |
| 47       | 9101.1012 | Tapbout M10x55 DIN 933  | 1      |     |
| 48       | 9205.1200 | Veerring VR10,2 DIN 128A  | 3      |     |
| 49       | 9100.1206 | Bout M12x75 DIN 931   | 6      |     |
| 50       | 9100.1602 | Bout M16x65 DIN 931   | 4      |     |
| 51       | 0051.3280 | Strip   | 1      |     |
| 52       | 0051.3278 | Strip   | 1      |     |
| 53       | 0051.3279 | Strip   | 1      |     |
| 54       | 0023.0726 | Bus (inw. $\varnothing 16$ mm, uitw. $\varnothing 40$ mm)                                 | 4      |     |
| 55       | 9205.1100 | Veerring VR 3/8" DIN 128A   | 8      |     |
| 56       | 9311.4001 | Halve splitlens 3000 PSI 1"   | 4      |     |
| 57       | 0012.1153 | Bus voor koppeling GR28   | 1      |     |
| 58       | 9101.1206 | Tapbout M12x35 DIN 933  | 2      |     |
| 59       | 9205.1400 | Veerring VR12,2 DIN 128A  | 2      |     |
| 60       | 0051.3588 | Strip L=780   | 1      |     |
| 61       | 0051.3597 | Strip L=220   | 2      |     |
| 63       | 9310.0103 | Smeemoppel haaks M8x1,25  | 1      |     |
| 64       | 0062.1268 | Zijplaat (normale body)   | 1      |     |
| 64       | 0062.1578 | Zijplaat (opengewerkte body)  | 1      |     |
| 65       | 0051.3277 | Strip (normale body) 30x6x800   | 1      |     |
| 66       | 0051.3942 | Strip (opengewerkte body) 25x15x690   | 1      |     |
| 67       | 9305.0406 | Afdichtstop M30x2   | 2      |     |
| 68       | 9300.2408 | Haakse zwenkkoppeling 3/8"-12 mm  | 1      |     |
| 69       | 9300.4209 | Reduceerkoppeling 15-12 mm  | 1      |     |

PR  
03Feb05/W18



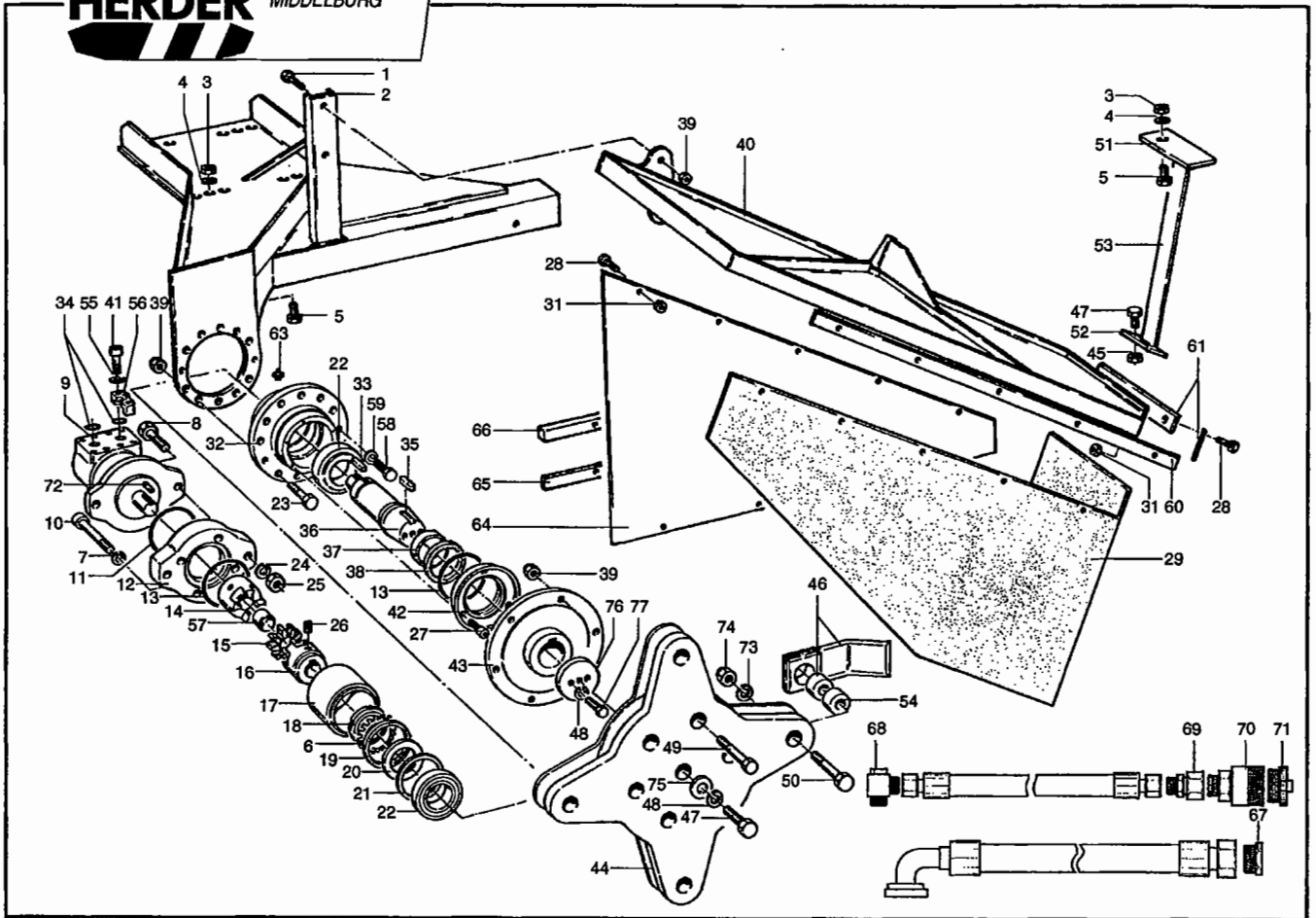




HERDER BV  
MACHINEFABRIEK  
MIDDELBURG

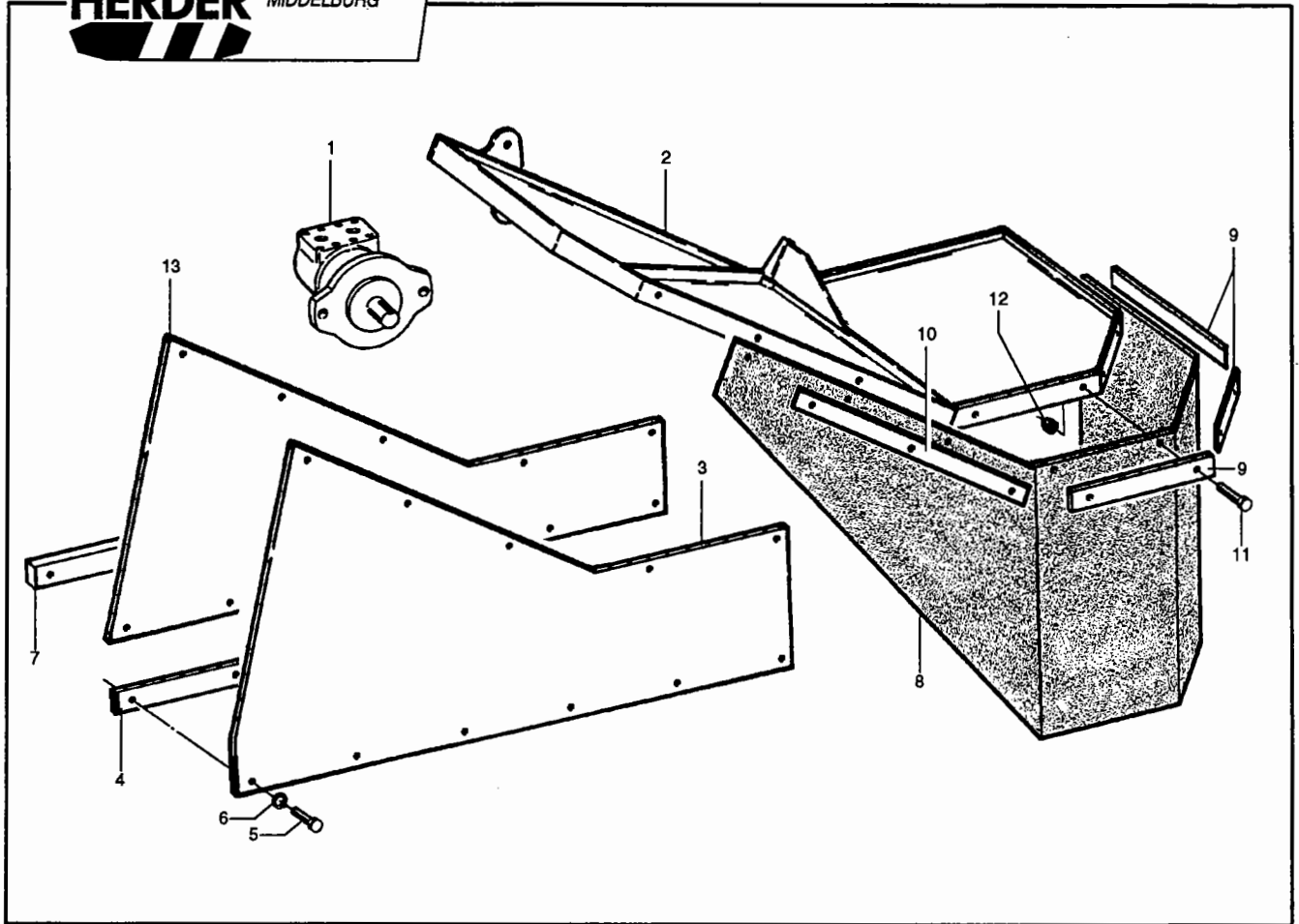
Groep 043.02

Bodemfrees unit 58,8 cc BFD rechtswerkend



| Pos. Nr. | Bestelnr. | Benaming                      | Aantal | 3/3 |
|----------|-----------|-------------------------------|--------|-----|
| 70       | 9304.0109 | Snelkoppelingshuis M22x1,5    | 1      |     |
| 71       | 9550.1509 | Stofplug                      | 1      |     |
| 72       | 9256.5502 | Spie 3/16"x3/16"x1 1/4"       | 1      |     |
| 73       | 9205.1700 | Veerring VR16,2 DIN 128A      | 4      |     |
| 74       | 9150.1600 | Moer M16 DIN 934              | 4      |     |
| 75       | 9202.1500 | Zware sluitring SR10 DIN 7349 | 1      |     |
| 76       | 0024.0692 | Borgring ø80x8                | 1      |     |
| 77       | 9101.1007 | Tapbout M10x30 DIN 933        | 2      |     |

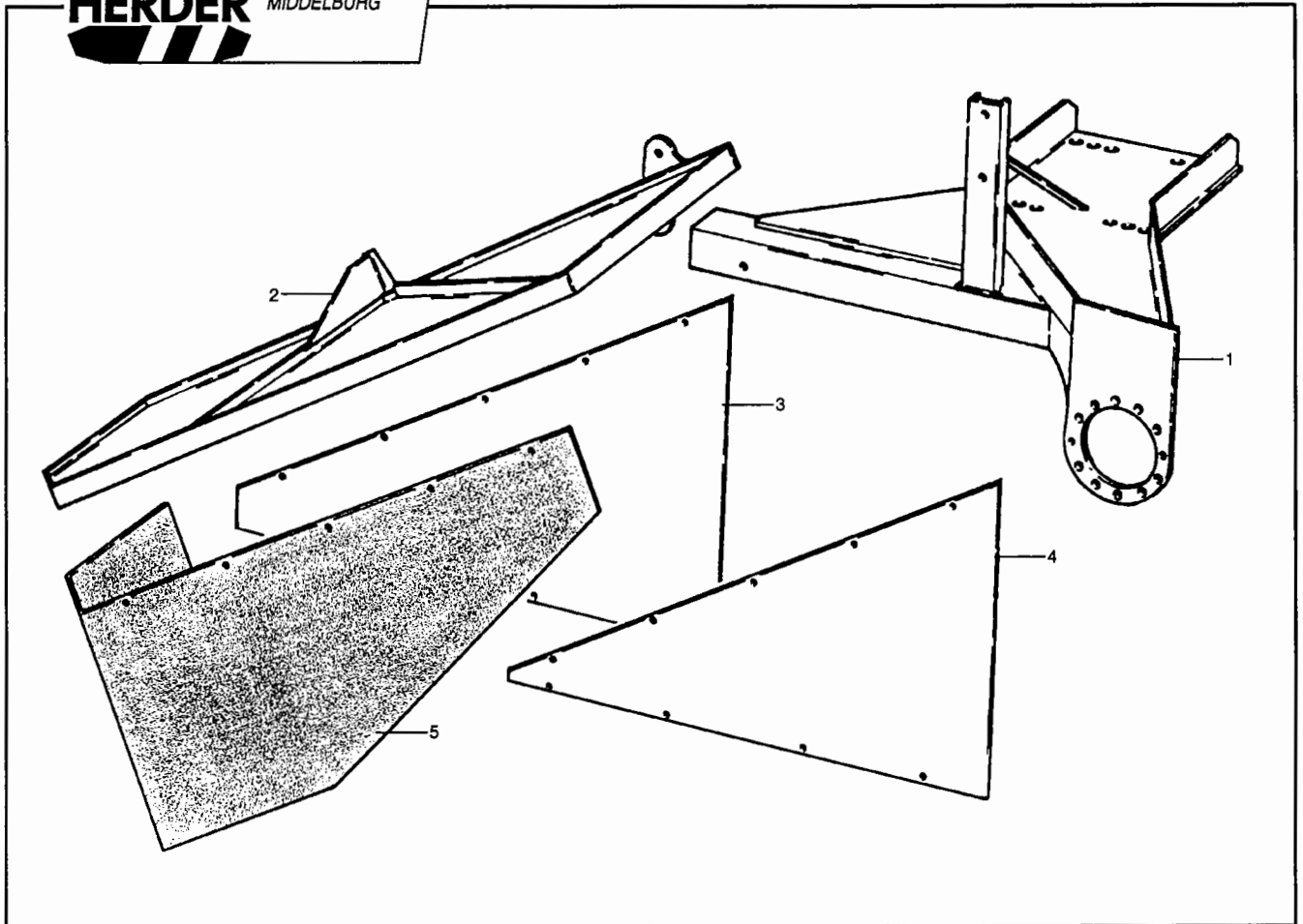




| Pos. Nr. | Bestelnr. | Benaming                                     | Aantal | 1/1 |
|----------|-----------|--|--------|-----|
| 1        | 9413.0006 | Oliemotor 80,1 cc                            | 1      |     |
| -        | 9358.0002 | Afdichtingsset oliemotor                     | -      |     |
| 2        | 0492.1117 | Kap van bodemfrees                           | 1      |     |
| 3        | 0062.1804 | Beschermplaat bodemfrees (normale body)      | 1      |     |
| 4        | 0051.4423 | Strip (normale body)                         | 1      |     |
| 5        | 9101.0803 | Tapbout M8x16 DIN 933                        | 6      |     |
| 6        | 9205.1000 | Veerring VR 8,2 DIN 128A                     | 6      |     |
| 7        | 0051.4422 | Strip (opengewerkte body)                    | 1      |     |
| 8        | 0082.0271 | Rubberflap bodemfrees                        | 1      |     |
| 9        | 0051.3597 | Klemstrip                                    | 3      |     |
| 10       | 0051.4424 | Klemstrip                                    | 1      |     |
| 11       | 9101.0807 | Tapbout M8x25 DIN 933                        | 9      |     |
| 12       | 9154.0800 | Borgmoer M8 DIN 985                          | 9      |     |
| 13       | 0062.1803 | Beschermplaat bodemfrees (opengewerkte body) | 1      |     |

zie voor overige onderdelen : groep 043.02

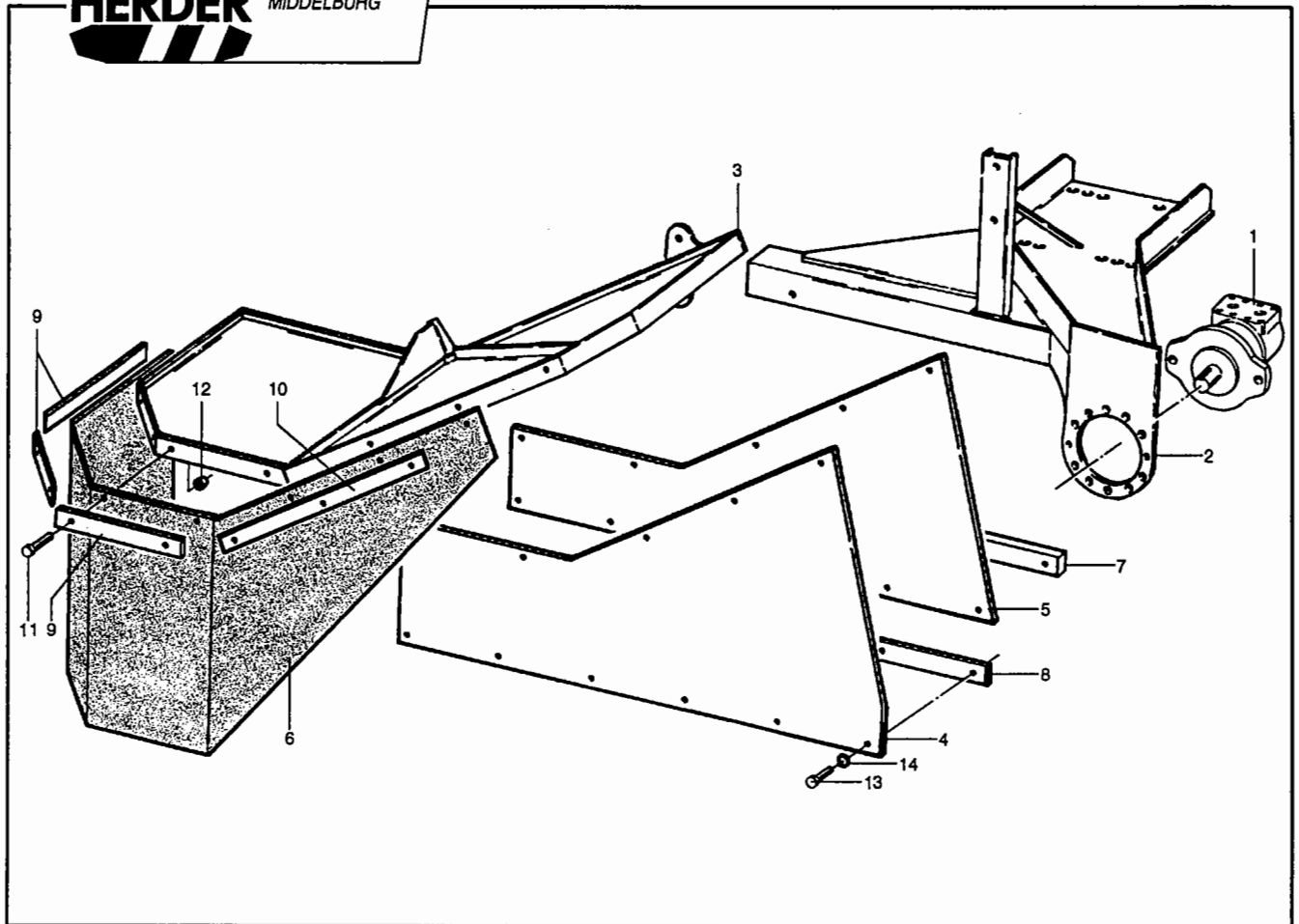




| Pos. Nr. | Bestelnr. | Benaming                     | Aantal | 1/1 |
|----------|-----------|------------------------------|--------|-----|
| 1        | 0492.1001 | Bodemfreesbevestiging links  | 1      |     |
| 2        | 0492.1002 | Kap van bodemfrees links     | 1      |     |
| 3        | 0062.1268 | Zijplaat (normale body)      | 1      |     |
| 4        | 0062.1578 | Zijplaat (opengewerkte body) | 1      |     |
| 5        | 0082.0223 | Rubber flap                  | 1      |     |

zie voor overige onderdelen : groep 043.02





| Pos. Nr. | Bestelnr. | Benaming                                     | Aantal | 1/1 |
|----------|-----------|--|--------|-----|
| 1        | 9413.0006 | Oliemotor 80,1 cc                            | 1      |     |
| -        | 9358.0002 | Afdichtingsset oliemotor                     | -      |     |
| 2        | 0492.1001 | Bodemfreesbevestiging links                  | 1      |     |
| 3        | 0492.1118 | Kap van bodemfrees links                     | 1      |     |
| 4        | 0062.1804 | Beschermplaat bodemfrees (normale body)      | 1      |     |
| 5        | 0062.1803 | Beschermplaat bodemfrees (opengewerkte body) | 1      |     |
| 6        | 0082.0271 | Rubberflap bodemfrees                        | 1      |     |
| 7        | 0051.4422 | Strip (opengewerkte body)                    | 1      |     |
| 8        | 0051.4423 | Strip (normale body)                         | 1      |     |
| 9        | 0051.3597 | Klemstrip                                    | 3      |     |
| 10       | 0051.4424 | Klemstrip                                    | 1      |     |
| 11       | 9101.0807 | Tapbout M8x25 DIN 933                        | 9      |     |
| 12       | 9154.0800 | Borgmoer M8 DIN 985                          | 9      |     |
| 13       | 9101.0803 | Tapbout M8x16 DIN 933                        | 6      |     |
| 14       | 9205.1000 | Veerring VR 8,2 DIN 128A                     | 6      |     |

zie voor overige onderdelen : groep 043.02