

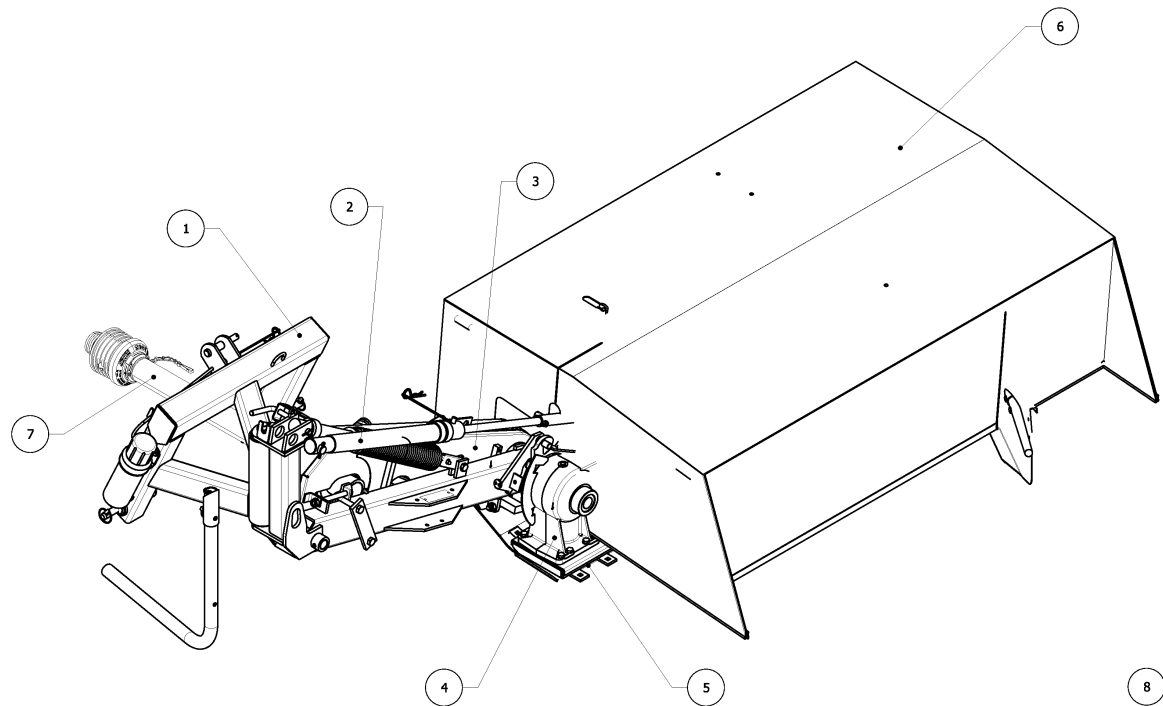
EXTRA 117

Spare Parts Manual

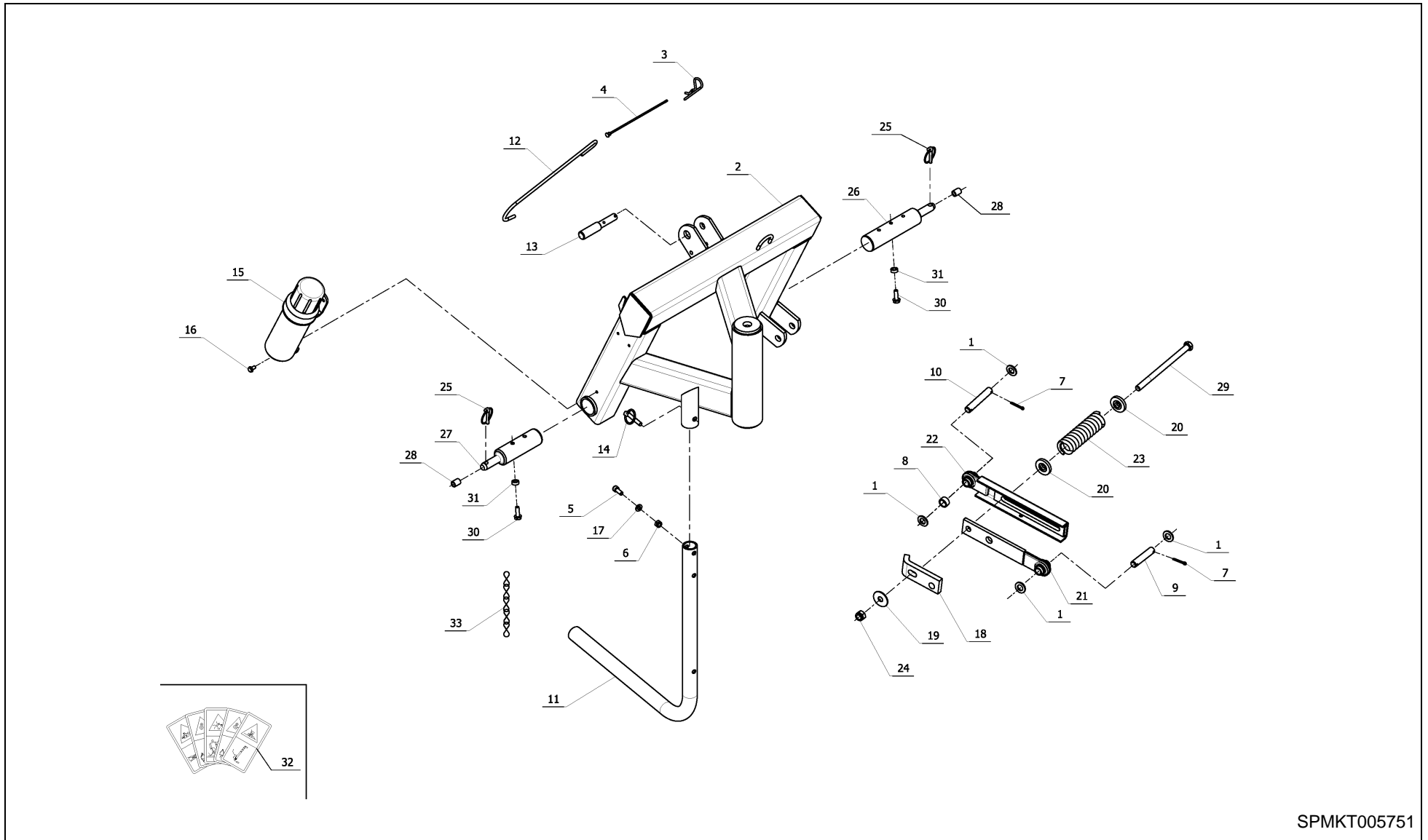
Article number: A151824040_01-2018-09
Language: EN
Production year (from): 2018
Prod. Series nr (from):
KT479305 < Mach. ID <=

EXTRA 117 / Table of Contents

PosNo.	Assembly group	Page
1	LINKAGE	1
2	HYDRAULIC	2
3	TRANSMISSION	3
4	GEAR BOX	4
5	CUTTERBAR, COMPLETE	5
5	TRANSMISSION, CUTTERBAR	6
5	TRANSMISSION, CUTTERBAR + EXPRESS	7
6	TARPAULIN	8
6	TARPAULIN	9
7	P.T.O. SHAFT	10
8	OPTIONAL EQUIPMENT	11
8	OPTIONAL EQUIPMENT	12
8	OPTIONAL EQUIPMENT	13
8	OPTIONAL EQUIPMENT	14
8	OPTIONAL EQUIPMENT	15



EXTRA 117 / LINKAGE





EXTRA 117 / LINKAGE

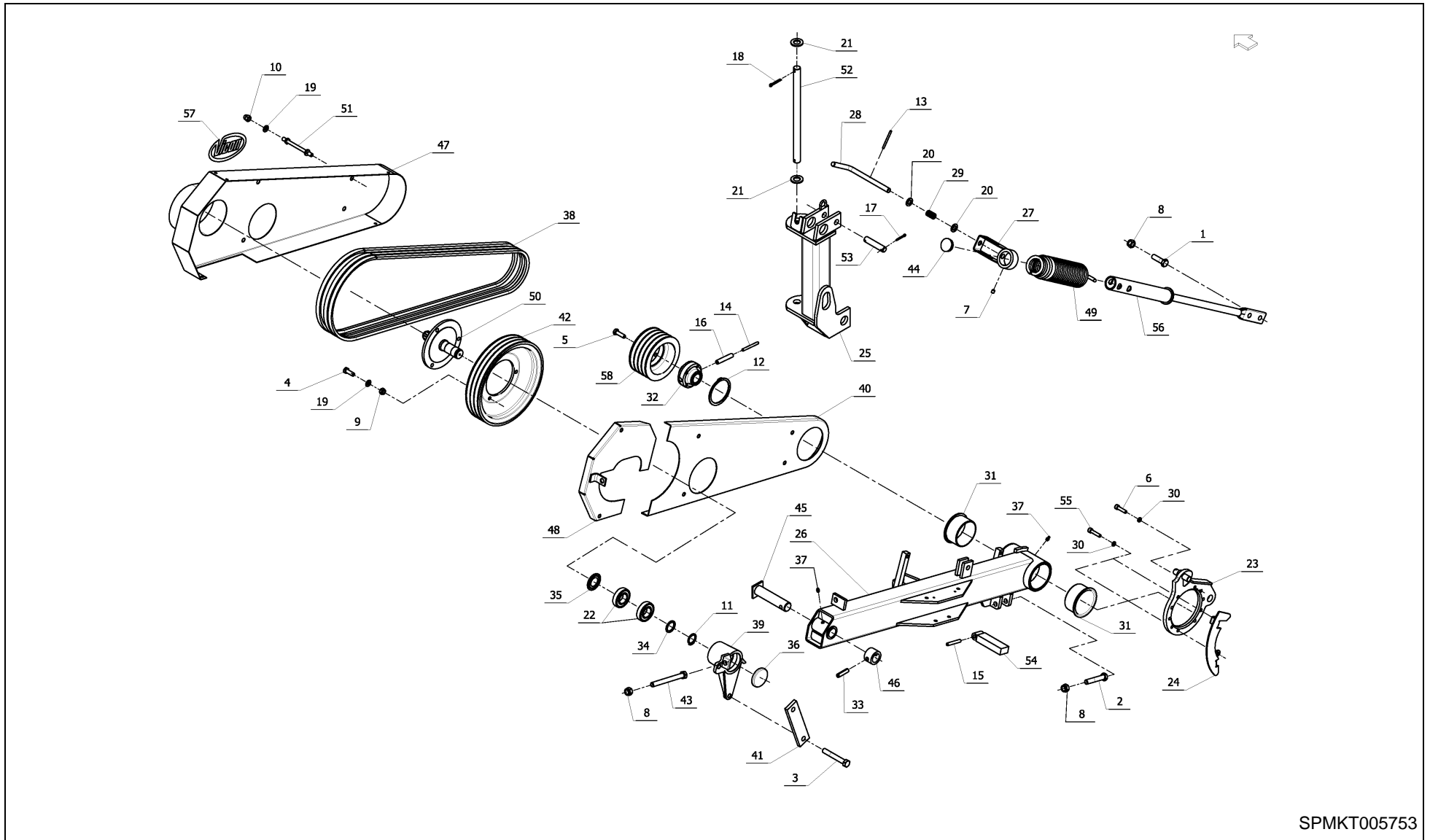
PosNo.	Part No.	Qty.	Description	Remark
1	KG01267861	4	WASHER M18	
2	A132373194	1	HITCH FRAME	
3	VN90091569	1	SPRING	
4	A144196800	1	CORD BLACK	
5	KG00546861	1	CHEESE HEAD SCREW M10X25 8.8	
6	KG01067661	1	LOCK NUT M10 8	
7	KG01252661	4	SPLIT PIN 5X32 ST	
8	VNB1885693	1	BUSH	
9	VN90044288	1	PIN	
10	VN90044366	1	PIN	
11	KT2418200061	1	SUPPORT LEG	
12	VNB1326493	1	HOOK	
13	VN90043838	1	TOP PIN	
14	KT99331907	1	PIPE LINCH PIN 10-60	
15	VF16660164	1	DOCUMENT BOX D=89 MM	
16	KT99328865	3	SELF TAPPING HEX.SCREW M8X16 A3C DIN7500	
17	KG01267461	1	WASHER M10	
18	VNB3737086	1	STOP	
19	KG01261761	1	WASHER M16X50 ST	
20	VN19342336	2	RING	
21	VNB2094686	1	STRIP, BREAK AWAY	
22	VN18612529	1	CONDUCTOR	
23	VN19330150	1	SPRING	
24	KG01067961	1	LOCK NUT M16 8	
25	VN90083233	2	LOCKING PIN	
26	VNB2111593	1	HITCH PIN	
27	VNB2111693	1	LINKAGE PIN	
28	VN90047784	2	BUSH	
29	VNB2099493	1	BOLT M16X250	
30	VNB1870178	2	SELFLOCKING BOLT M10X30	
31	VNB1978693	2	BUSH	
32	KT24382000	1	DECAL KIT	
33	VNB1310378	1	CHAIN	



EXTRA 117 / HYDRAULIC

PosNo.	Part No.	Qty.	Description	Remark
1	A132211161	2	FLANGE LOCK NUT M12 HIGH DIN 6926-8	
2	KG01067961	1	LOCK NUT M16 8	
3	KG01253761	2	SPLIT PIN 6.3X40 ST	
4	KT2434500086	2	ARM	
5	KT2434700086	2	STOP	
6	VNB1302286	1	SUPPORT	
7	VF16620041	1	PLATE	
8	VN90044041	1	PIN	
9	VN90091569	1	SPRING	
10	KG00355461	1	HEX. BOLT M10X50 8.8	
11	KG01068861	1	LOCK NUT M10 10	
12	VN98614940	1	PIPE	
13	VN90044085	1	PIN	
14	A144196800	1	CORD BLACK	
15	KT2448000086	1	TRANSPORT LOCK	
16	KT2447200086	1	HYDRAULIC CYLINDER	
17	VN36107339	1	O-RING 3.68 X 1.78	
18	VNB1077102	1	RESTRICTOR	
19	KT60149000	1	QUICK COUPLING 1/2"	
20	KT60245000	1	PROTECTION CAP BLUE	
21	VNB1306893	1	REDUCTION NIPPLE G1/2"-M14X1.5	
22	A100031462	1	TENSION PIN 6X36 DIN EN ISO 8752 DACROM	
23	A144119974	1	DECAL	
24	KG00362061	1	HEX. BOLT M16X55 8.8	
25	KG00357661	2	HEX. BOLT M12X55 8.8	
26	KG01191862	1	TENSION PIN 8X40	
27	KG01192062	2	TENSION PIN 8X50	
28	VNB1285578	1	HYDR. HOSE 1/4" L = 2000	
29	VNB1347778	1	SEAL SET	
30	KT48953000	1	LINE	

EXTRA 117 / TRANSMISSION



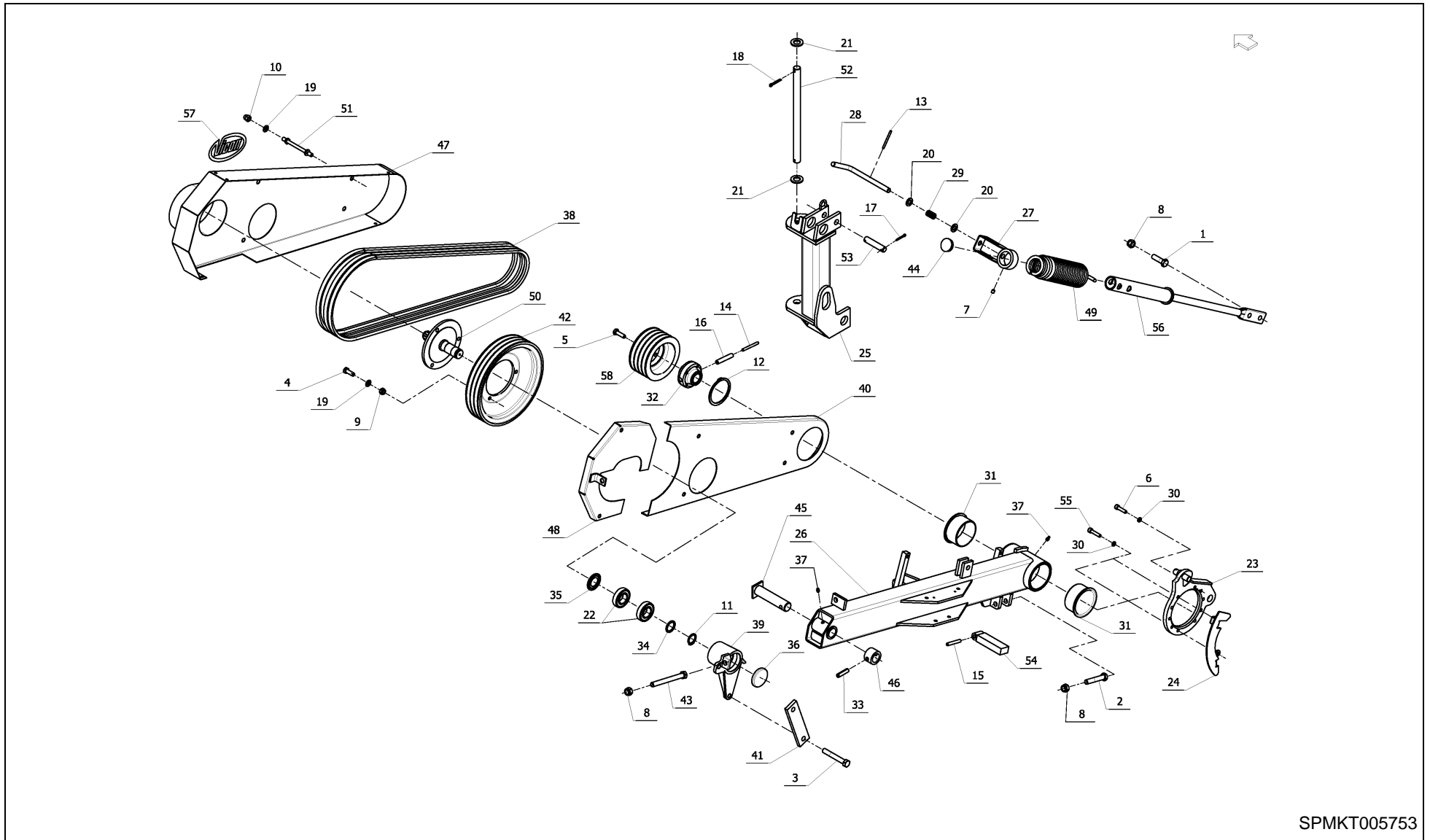
SPMKT005753



EXTRA 117 / TRANSMISSION

PosNo.	Part No.	Qty.	Description	Remark
1	KG00362061	1	HEX. BOLT M16X55 8.8	
2	KG00362661	1	HEX. BOLT M16X90 8.8	
3	KG00362861	2	HEX. BOLT M16X110 8.8	
4	KG00476662	3	HEX. SCREW M12X35 8.8	
5	KG00476761	4	HEX. SCREW M12X40 8.8	
6	KG00596100	8	CHEESE HEAD SCREW M10X40 12.9	
7	KG00936500	1	SET SCREW M10X12 45H	
8	KG01067961	2	LOCK NUT M16 8	
9	KG01068961	3	LOCK NUT M12 10	
10	KG01074461	4	CAP NUT M12 6	
11	KG01099362	1	CIRCLIP-A 35 X 2.5	
12	A100026362	1	CIRCLIP A 95 X 3	
13	KG01190062	1	TENSION PIN 6X70	
14	KG01192362	1	TENSION PIN 8X80	
15	KG01194362	1	TENSION PIN 10X70	
16	KG01197162	1	TENSION PIN 14X80	
17	KG01252661	2	SPLIT PIN 5X32 ST	
18	KG01253761	4	SPLIT PIN 6.3X40 ST	
19	KG01267561	4	WASHER M12	
20	KG01267761	2	WASHER M16	
21	KG01268161	2	WASHER M24	
22	KG01381100	2	BALL BEARING 6207-2RS	
23	KT2429300086	1	BRACKET	
24	KT2434600086	1	PROTECTION PLATE	
25	KT2447400086	1	INTERMEDIATE FRAME EXTRA 100	
26	KT2447500086	1	SWING FRAME EXTRA 100	
27	KT2447600061	1	TRANSPORT LOCK	
28	KT2447700061	1	BOLT	
29	KT2447900063	1	SPRING	
30	KT99333832	10	NORD-LOCK WASHER NL3/8" (10,3 X 16,6)	
31	VN90070335	2	PLASTIC BUSHING	
32	VN18620326	1	HUB	
33	VF01157402	1	ROLL PIN 13X50 EN ISO 8752 ZN.FL.	
34	KT99350525	1	WASHER 35X45X2,5 DIN988	
35	VN31425007	1	NILOS RING 6207 AV	
36	VF16646405	1	COVER GSA 72	
37	KT99417020	2	1/8 RG NIPPLE	
38	VN43301603	3	V-BELT B2360 -1 PIECE	
39	VN98621377	1	HUB	
40	VN99460908	1	GUARD	

EXTRA 117 / TRANSMISSION



SPMKT005753



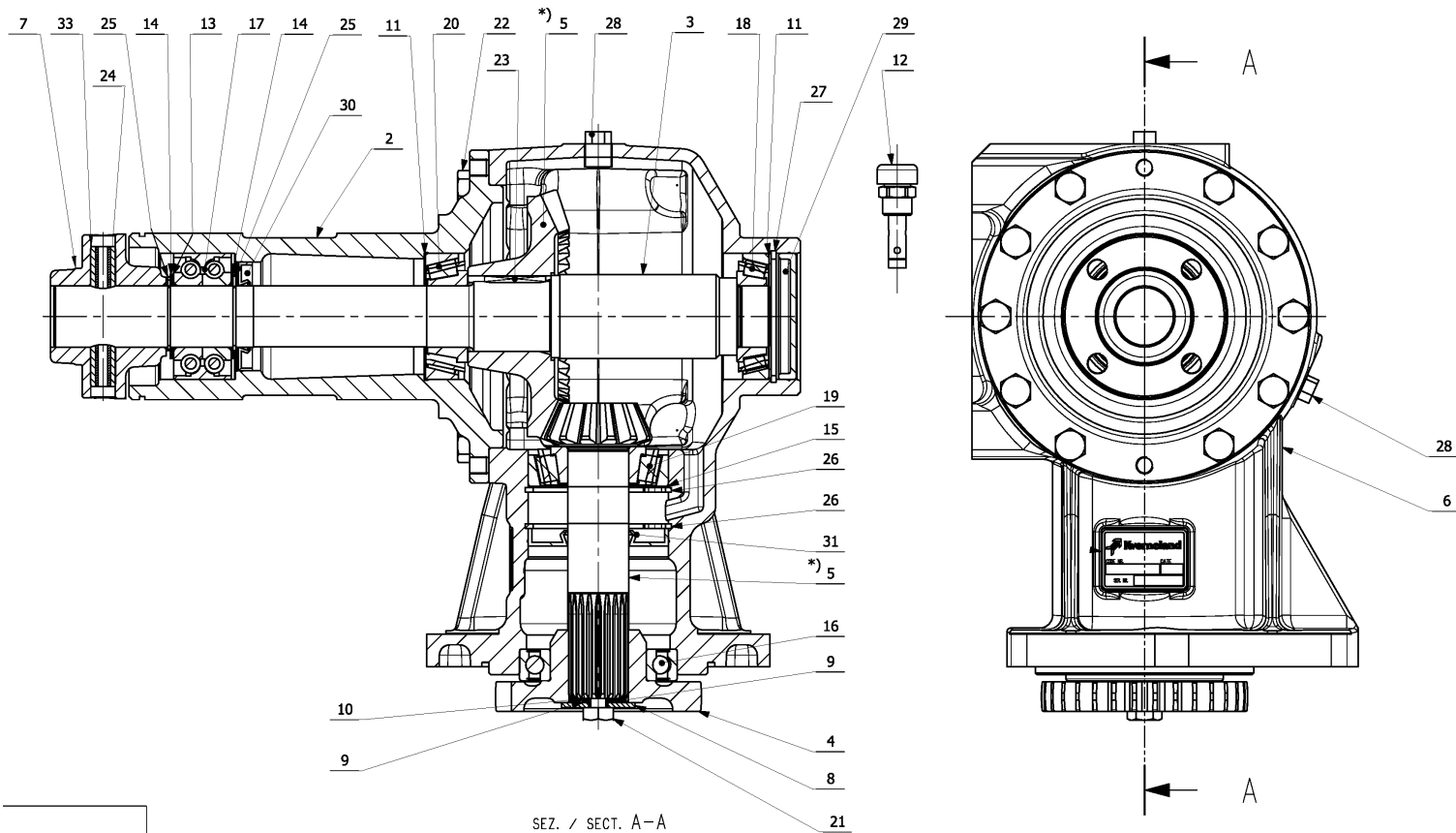
EXTRA 117 / TRANSMISSION

PosNo.	Part No.	Qty.	Description	Remark
41	VN98661901	1	STRIP	
42	VN90081159	1	PULLEY, V-BELT	
43	VN90083104	1	BOLT	
44	VN97870978	1	CAP 47,8 X 15 LDPE (BLACK)	
45	VNB0595493	1	PIN	
46	VNB0595593	1	BUSH	
47	VNB1300594	1	GUARD	
48	VNB2117194	1	COVER	
49	VN98633023	1	SPRING, EXTENSION	
50	VNB2127786	1	SHAFT, SPLINED	
51	VNB2198393	4	DISTANCE BOLT	
52	VNB2298793	1	SHAFT	
53	VNB2540293	1	PIN	
54	VNB2575286	1	STOP	
55	KG01904200	2	CHEESE HEAD SCREW M10X45 12.9	
56	VN98613840	1	BLOCKING ROD	
57	VF16647666	1	BRAND STICKER TYPE MEASUREMENTS 40 VICON	
58	VN18620328	1	V-BELT PULLEY	

EXTRA 117 / GEAR BOX



Complete No. 1



*) Gear wheel set z = 13 / 36

SPMKT005754



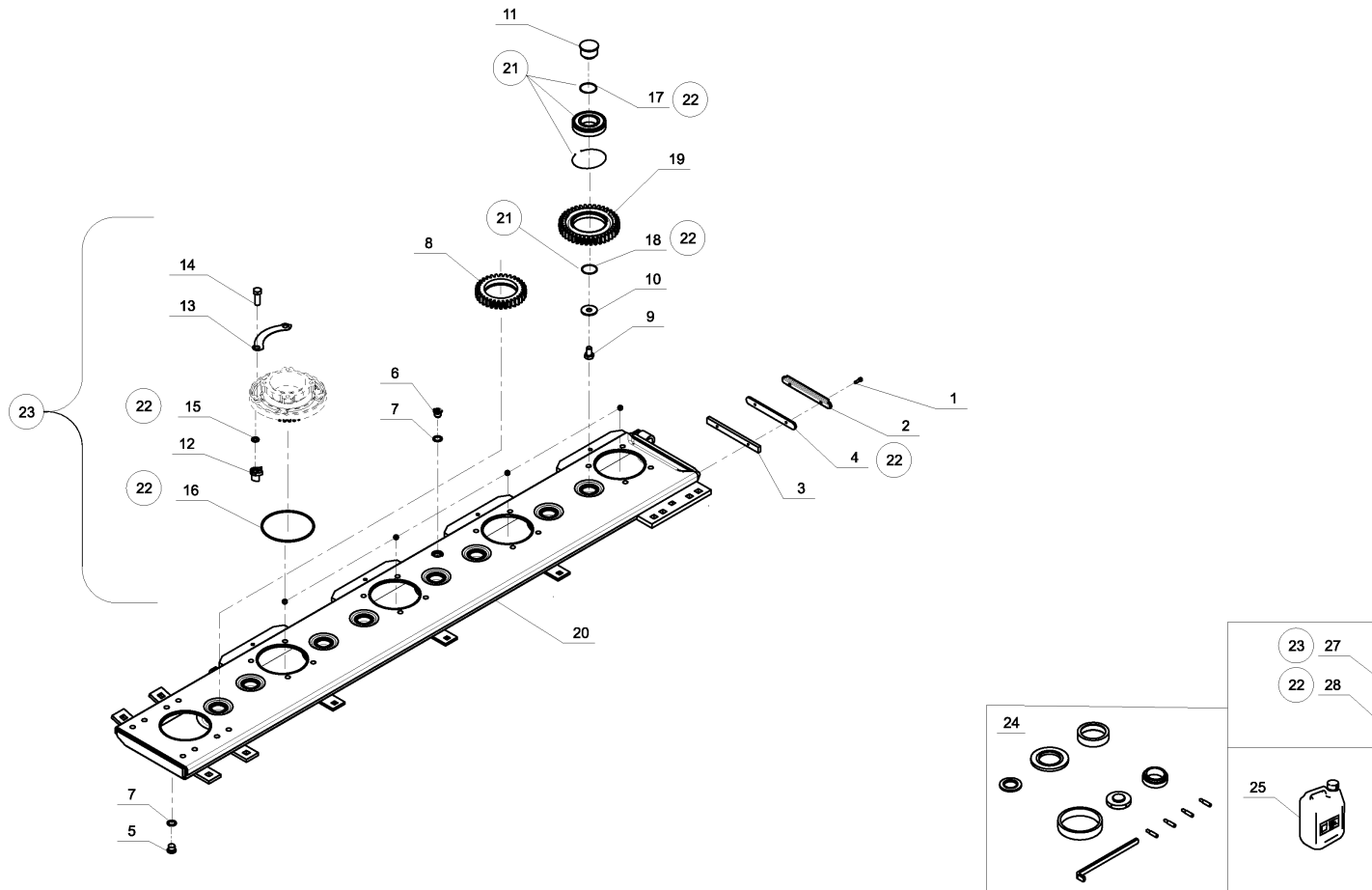
EXTRA 117 / GEAR BOX

PosNo.	Part No.	Qty.	Description	Remark
1	KT24925000	1	BEVEL GEAR, COMPLETE	
2	KT99251303	1	EXTENSION	
3	KT99251301	1	SHAFT	
4	KT99251168	1	TOOTH WHEEL Z=31	
5	KT55677300	1	GEAR WHEEL SET Z=13/36	
6	A151771700	1	HOUSING	
7	VN18620326	1	HUB	
8	KT99251170	1	WASHER	
9	KT99251171	1	SHIM 10,2 X 17,8	
10	KT99251172	1	SHIM 10,2 X 17,8	
11	KT99250910	2	WASHER	
12	KT99251148	1	AIRPLUG 3/8"	
13	KT99250946	1	WASHER Ø35,3-Ø48	
14	KT99250427	2	SHIM	
15	KT99250556	1	KIT WASHER (DISC) Ø79,7 - 4 PIECES	
16	KG01360700	1	BALL BEARING 6011-2RS	
17	KT99251302	1	BEARING BAH-0013	
18	KG01799100	1	TAPER ROLLER BEARING 30207	
19	KT99106225	1	ROLLER BEARING 30307	
20	KG01799200	1	TAPER ROLLER BEARING 32207	
21	KG00474361	1	HEX. SCREW M10X30 8.8	
22	A151771800	1	BOLT DCRT320 10.9	
23	KT99354026	1	PARALLEL KEY	
24	KG01192300	1	TENSION PIN 8X80	
25	KT99350025	2	U 35 CIRCLIP	
26	KG01130900	2	CIRCLIP-B 80 X 2.5	
27	A100026762	1	CIRCLIP B 72 X 2.5	
28	KT99250982	2	OIL PLUG 3/8"	
29	KT99250592	1	COVER	
30	KG00165000	1	RADIAL SHAFT SEAL - AS 35X62X8	
31	KT99424074	1	OIL SEAL 35/80-10	
32	KT10101000	1	OIL CAN 1 LTR.	
33	KG01197100	1	TENSION PIN 14X80	

EXTRA 117 / CUTTERBAR, COMPLETE



Complete No. 26



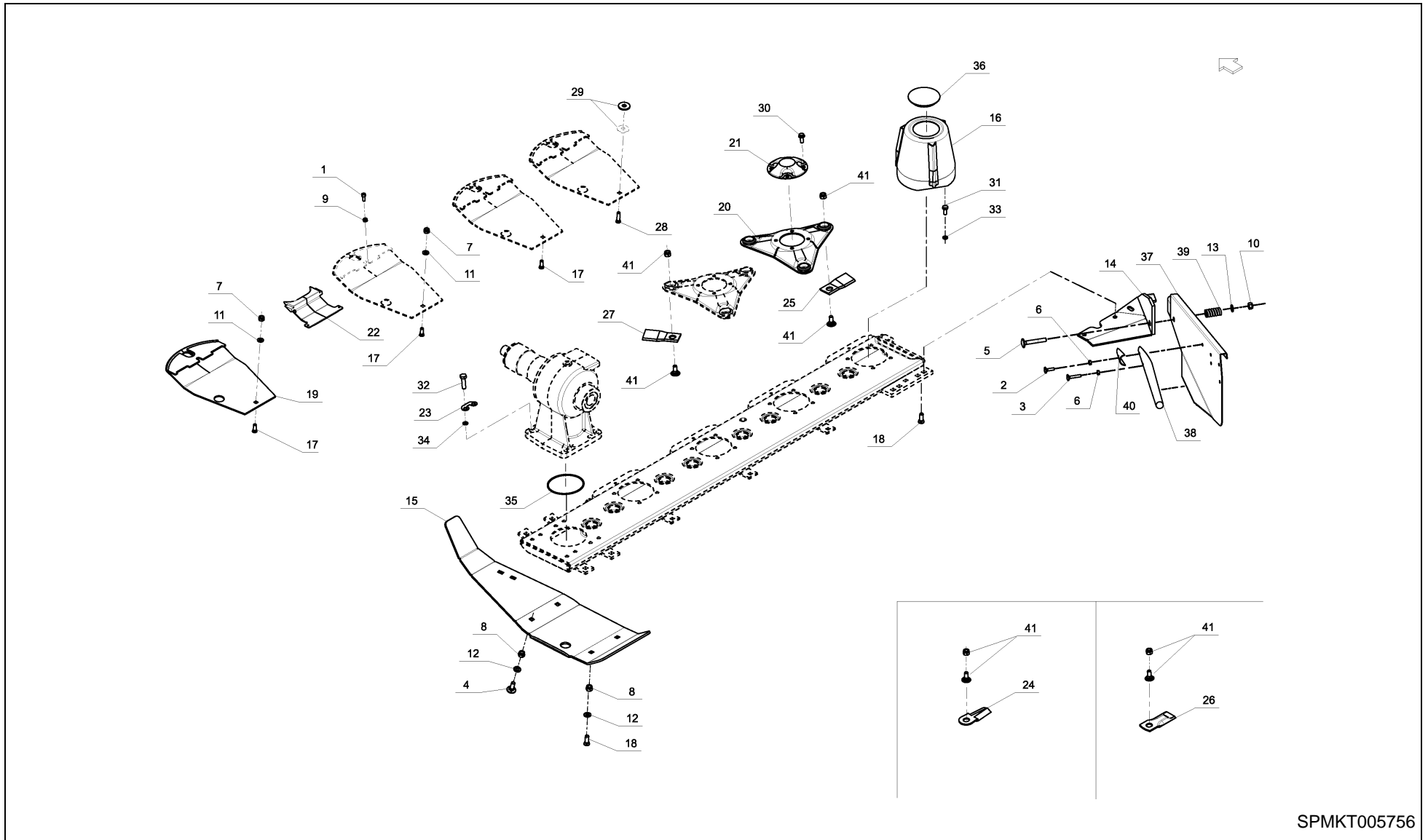
SPMKT005755



EXTRA 117 / CUTTERBAR, COMPLETE

PosNo.	Part No.	Qty.	Description	Remark
1	KG00542161	2	CHEESE HEAD SCREW M5X16 8.8	
2	KT5564900061	1	COVER	
3	KT55650000	1	LUG	
4	KT55651000	1	GASKET	
5	KT99458109	1	TUBE PLUG M16X1,5	
6	KT99462633	1	PLUG M16X1,5	
7	KT99462718	2	COPPER SEALING 16 X 22 X 1,5	
8	KT55642100	1	GEAR WHEEL Z=32	
9	KG00476261	8	HEX. SCREW M12X20 8.8	
10	KT55670000	8	WASHER (DISC)	
11	KT55644000	8	JOURNAL	
12	KT55646100	16	NUT	
13	KT55729100	8	LOCK PLATE	
14	KG01840800	16	HEX. SCREW M12X35 10.9 4017	
15	KT99420109	16	OIL SEAL Ø10,69X3,53	
16	KT99420286	4	OIL SEAL Ø120,24X3,53	
17	KT99420238	8	OIL SEAL Ø37,1 X 1,6	
18	KT99420125	8	OIL SEAL Ø34,2X3	
19	KT55641100	7	GEAR WHEEL Z=39	
20	KT2436100086	1	4-DISCS CUTTERBAR, COMPLETE	
21	KT55706100	1	SET OF BEARING	
22	KT55710200	1	GASKET KIT	
23	A144144030	4	BEARING HOUSE, DOUBLE ROW BEARING	
24	KT55695100	1	TOOL KIT FOR CUTTERBAR (A-HUB)	
25	KT10105000	1	OIL CAN 5 LTR.	
26	A151456686	1	CUTTERBAR KPL. 4 SK. INDIR. 380	
27	KT99457134	1	LOCTITE TUBE 5ML	
28	KT99457135	1	LOCTITE TUBE 10 G	

EXTRA 117 / TRANSMISSION, CUTTERBAR



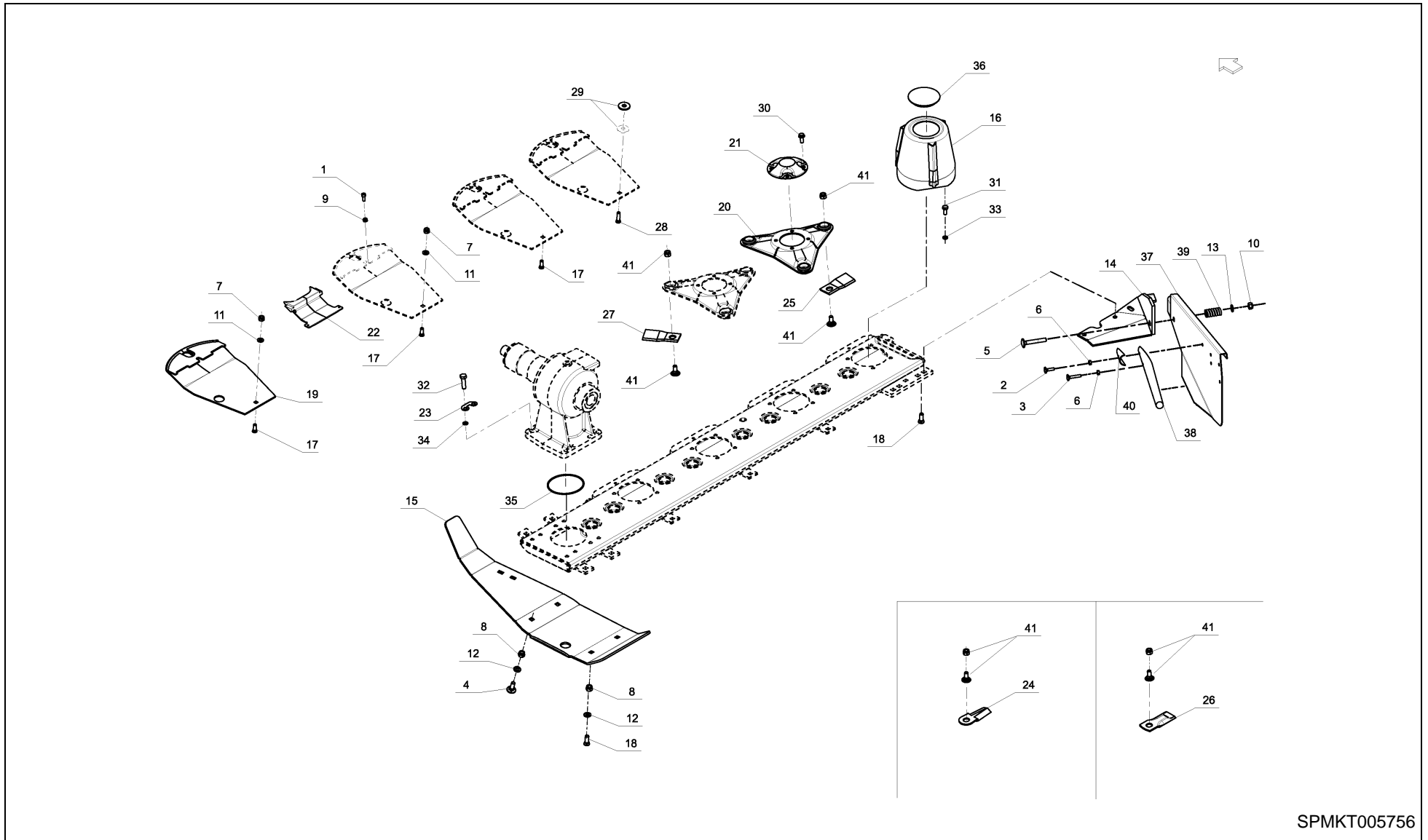
SPMKT005756



EXTRA 117 / TRANSMISSION, CUTTERBAR

PosNo.	Part No.	Qty.	Description	Remark
1	KG00545061	4	CHEESE HEAD SCREW M8X20 8.8	
2	KG00639361	1	CARRIAGE BOLT M8X35 8.8	
3	KG00639561	1	CARRIAGE BOLT M8X45 8.8	
4	KG00644961	2	CARRIAGE BOLT M12X35 8.8	
5	KG00645861	1	CARRIAGE BOLT M12X80 8.8 VZ. DIN603	
6	KG01051961	2	HEX. NUT M8 8	
7	KG01064161	4	LOCK NUT M10 8	
8	KG01064261	4	LOCK NUT M12 8	
9	KG01067561	4	LOCK NUT M8 8	
10	KG01068961	3	LOCK NUT M12 10	
11	KG01267461	4	WASHER M10	
12	KG01267561	4	WASHER M12	
13	KG01267561	1	WASHER M12	
14	KT2428200086	1	BRACKET, RH	
15	KT2434800086	1	SKID	
16	KT2441000086	1	CONE, TRIANGULAR DISC	
17	KT45429000	3	PLOUGH BOLT M10-30	
18	KT4543100061	4	PLOUGH BOLT M12X35	
19	KT5512510086	4	WEARING SOLE	
20	KT5513600094	4	CUTTING DISC	
21	KT5513700086	3	COVER	
22	KT5513910086	3	COUNTER KNIFE	
23	KT5568820061	4	LOCK PLATE	
24	KT5611030001	12	KNIFE (128MM)	
25	KT5611040001	6	KNIFE, RH (126MM)	
26	KT5611050001	12	KNIFE (131MM)	
27	KT5611090001	6	KNIFE, LH (126MM)	
28	KT56149000	1	PLOUGH BOLT M10-40	
29	KT5627100061	2	WASHER Ø13-Ø40X4	
30	KT99308826	16	STEEL BOLT (VERBUS RIBB BOLT) M10X20	
31	KT99322670	4	STEELSET SCREW M10X25 12.9	
32	KT99328825	8	STEEL BOLT	
33	KT99333832	4	NORD-LOCK WASHER NL3/8" (10,3 X 16,6)	
34	KT99420109	8	OIL SEAL Ø10,69X3,53	
35	KT99420286	1	OIL SEAL Ø120,24X3,53	
36	VN99770348	1	CAP	
37	VN90013805	1	SWATHBOARD	
38	VN90081166	1	SWATH STICK	
39	VN90130051	1	SPRING	
40	VNB4499461	1	CAP	

EXTRA 117 / TRANSMISSION, CUTTERBAR



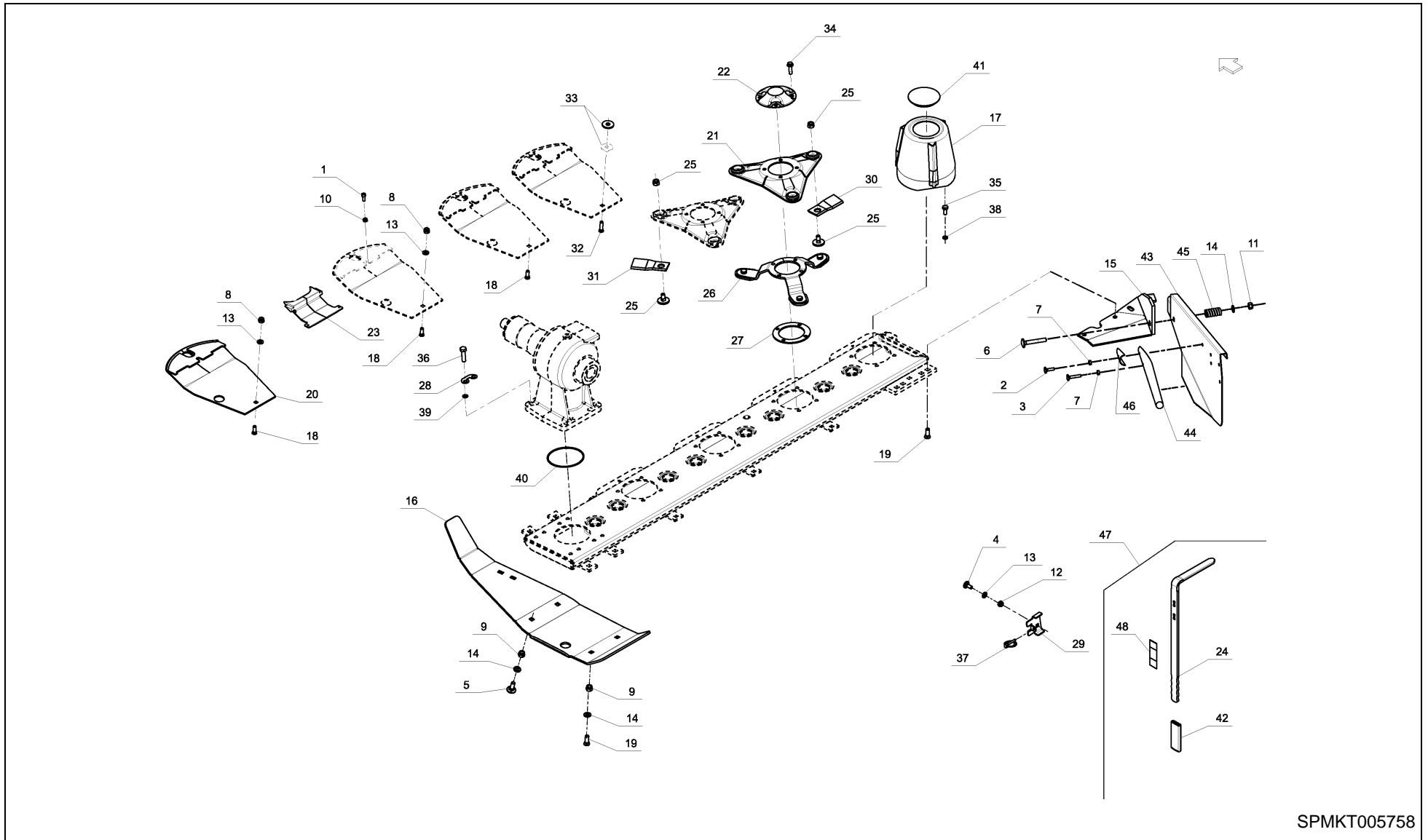
SPMKT005756

EXTRA 117 / TRANSMISSION, CUTTERBAR



PosNo.	Part No.	Qty.	Description	Remark
41	KT56785000	1	KNIFE BOLT KIT CPL. (25 PCS.)	

EXTRA 117 / TRANSMISSION, CUTTERBAR + EXPRESS



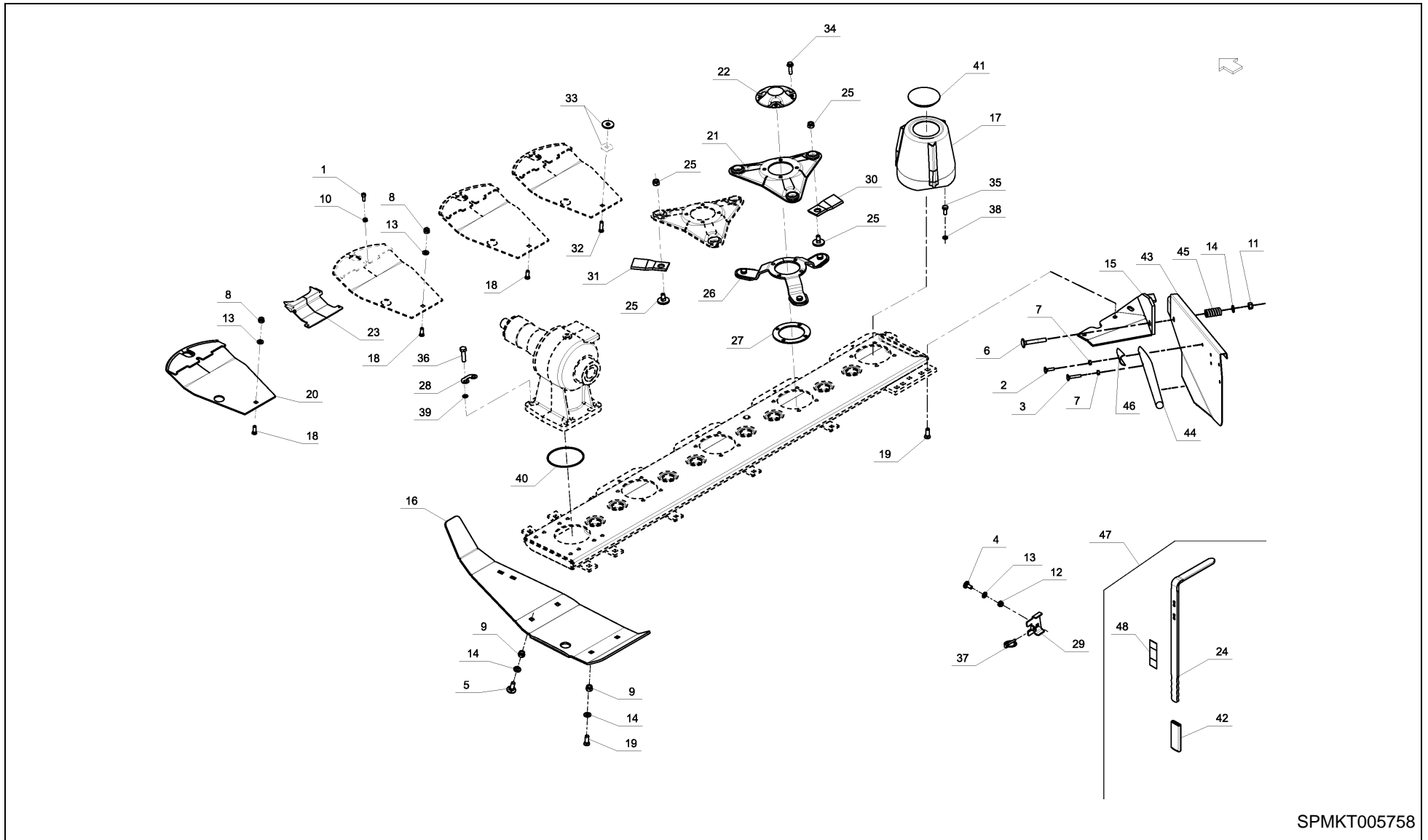
SPMKT005758

EXTRA 117 / TRANSMISSION, CUTTERBAR + EXPRESS



PosNo.	Part No.	Qty.	Description	Remark
1	KG00545061	4	CHEESE HEAD SCREW M8X20 8.8	
2	KG00639361	1	CARRIAGE BOLT M8X35 8.8	
3	KG00639561	1	CARRIAGE BOLT M8X45 8.8	
4	KG00641461	1	CARRIAGE BOLT M10X25 8.8	
5	KG00644961	2	CARRIAGE BOLT M12X35 8.8	
6	KG00645861	1	CARRIAGE BOLT M12X80 8.8 VZ. DIN603	
7	KG01051961	2	HEX. NUT M8 8	
8	KG01064161	4	LOCK NUT M10 8	
9	KG01064261	4	LOCK NUT M12 8	
10	KG01067561	4	LOCK NUT M8 8	
11	KG01068961	3	LOCK NUT M12 10	
12	KG01072361	1	LOCK NUT M10 8	
13	KG01267461	5	WASHER M10	
14	KG01267561	5	WASHER M12	
15	KT2428200086	1	BRACKET, RH	
16	KT2434800086	1	SKID	
17	KT2441000086	1	CONE, TRIANGULAR DISC	
18	KT45429000	3	PLOUGH BOLT M10-30	
19	KT4543100061	4	PLOUGH BOLT M12X35	
20	KT5512510086	4	WEARING SOLE	
21	KT5513600094	4	CUTTING DISC	
22	KT5513700086	3	COVER	
23	KT5513910086	3	COUNTER KNIFE	
24	KT5517400061	1	TOOL	
25	KT56998000	1	KIT OF KNIFE BOLT (25 PCS.)	
26	KT5518500086	4	EXPRESS SPRING	
27	KT5526900061	4	WASHER 4MM (EXPRESS)	
28	KT5568820061	4	LOCK PLATE	
29	KT5577300061	1	PARKING BRACKET	
30	KT5611040001	4	KNIFE, RH (126MM)	
31	KT5611090001	4	KNIFE, LH (126MM)	
32	KT56149000	1	PLOUGH BOLT M10-40	
33	KT5627100061	2	WASHER Ø13-Ø40X4	
34	KT99308832	16	STEEL BOLT M10X35 10.9(VERBUS RIBB BOLT)	
35	KT99322670	4	STEELSET SCREW M10X25 12.9	
36	KT99328825	8	STEEL BOLT	
37	KT99331901	1	LINCH PIN Ø 6	
38	KT99333832	4	NORD-LOCK WASHER NL3/8" (10,3 X 16,6)	
39	KT99420109	8	OIL SEAL Ø10,69X3,53	
40	KT99420286	1	OIL SEAL Ø120,24X3,53	

EXTRA 117 / TRANSMISSION, CUTTERBAR + EXPRESS



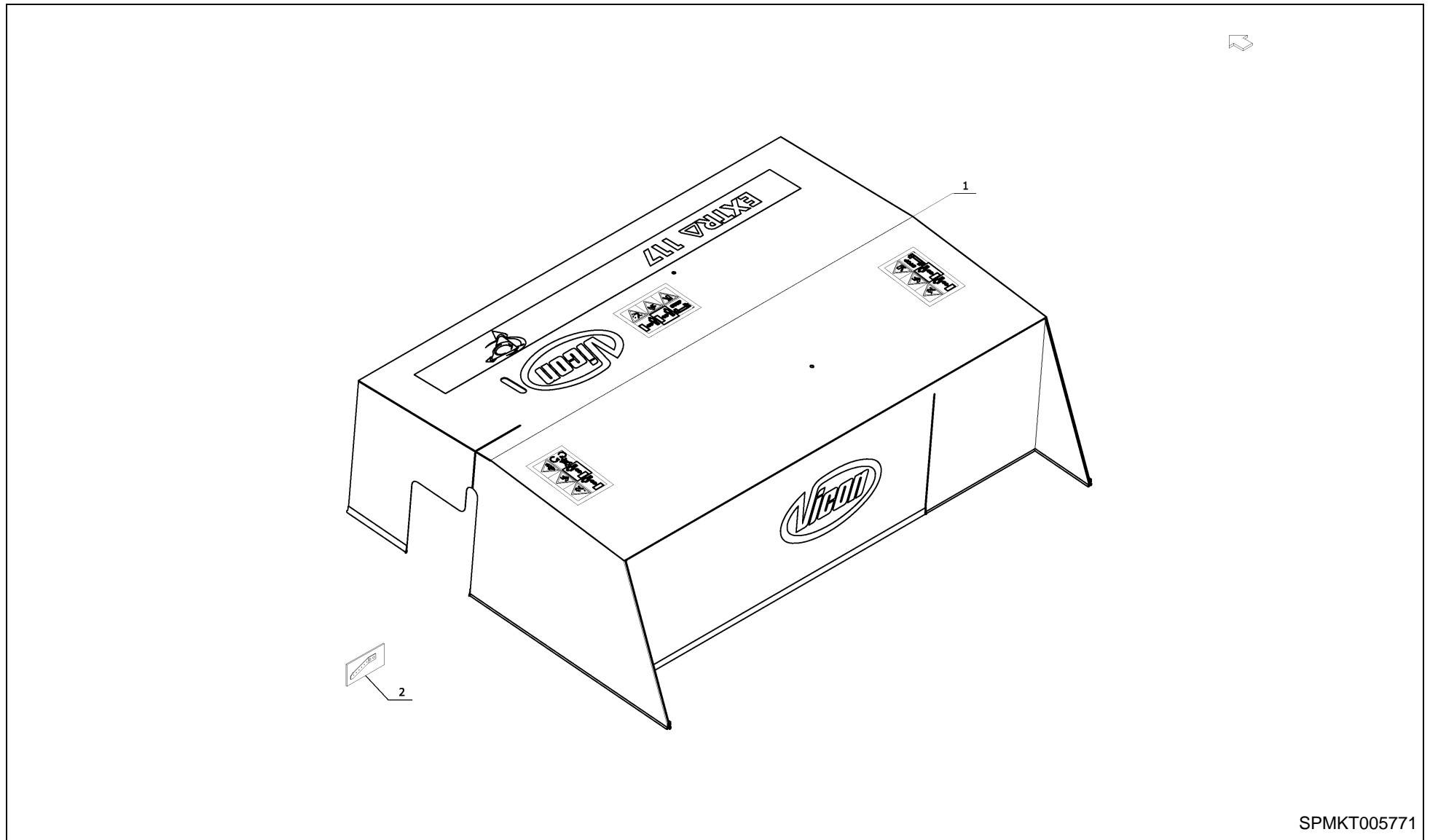
SPMKT005758

EXTRA 117 / TRANSMISSION, CUTTERBAR + EXPRESS



PosNo.	Part No.	Qty.	Description	Remark
41	VN99770348	1	CAP	
42	KT38218000	1	PLASTIC HANDLE	
43	VN90013805	1	SWATHBOARD	
44	VN90081166	1	SWATH STICK	
45	VN90130051	1	SPRING	
46	VNB4499461	1	CAP	
47	KT55177000	1	TOOL COMPLETE	
48	KT55769000	1	DECAL	

EXTRA 117 / TARPAULIN

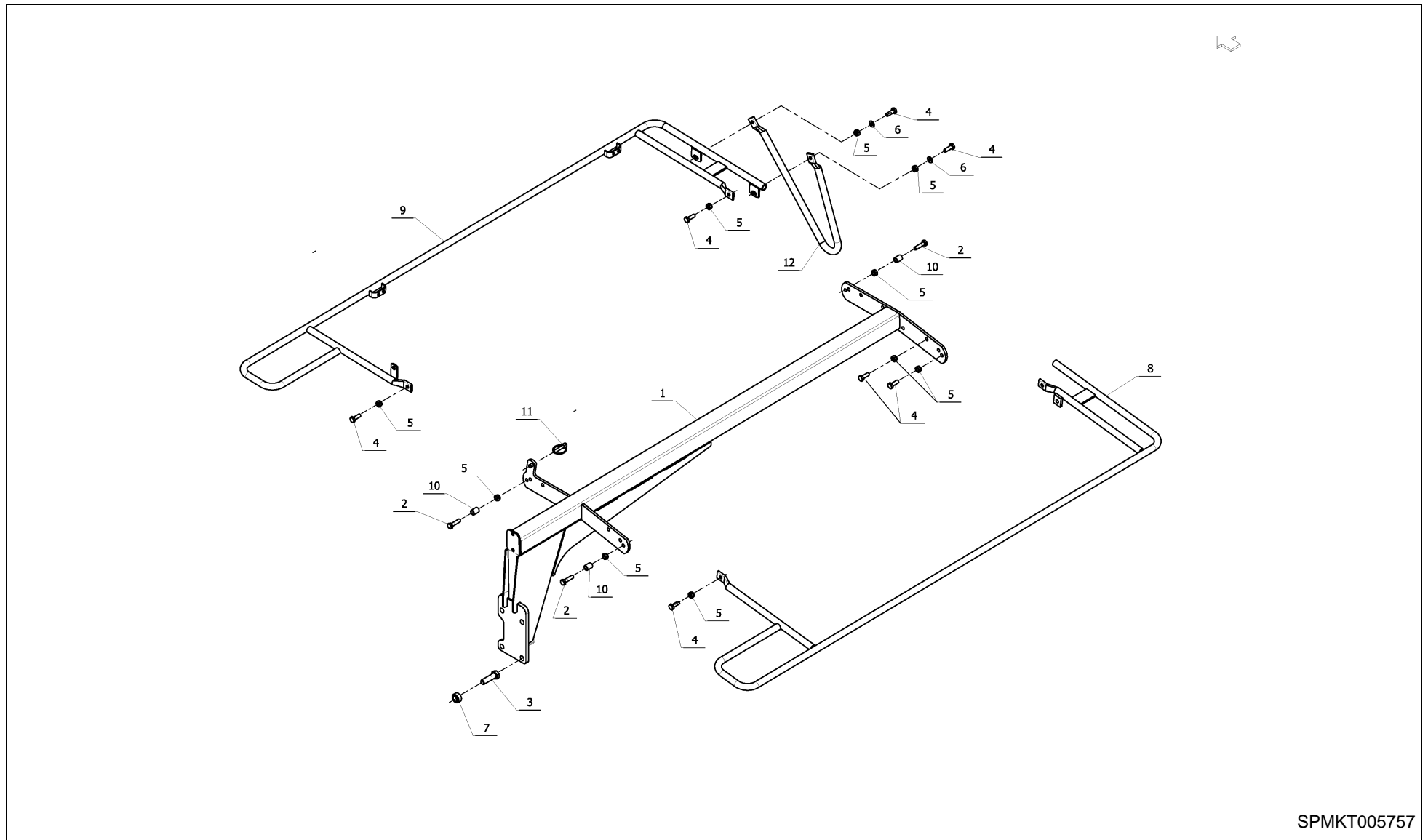


SPMKT005771

EXTRA 117 / TARPAULIN



PosNo.	Part No.	Qty.	Description	Remark
1	KT24490000	1	TARPAULIN EXTRA 117	
2	KT99352801	1	BELT FOR TARPAULIN	



EXTRA 117 / TARPAULIN

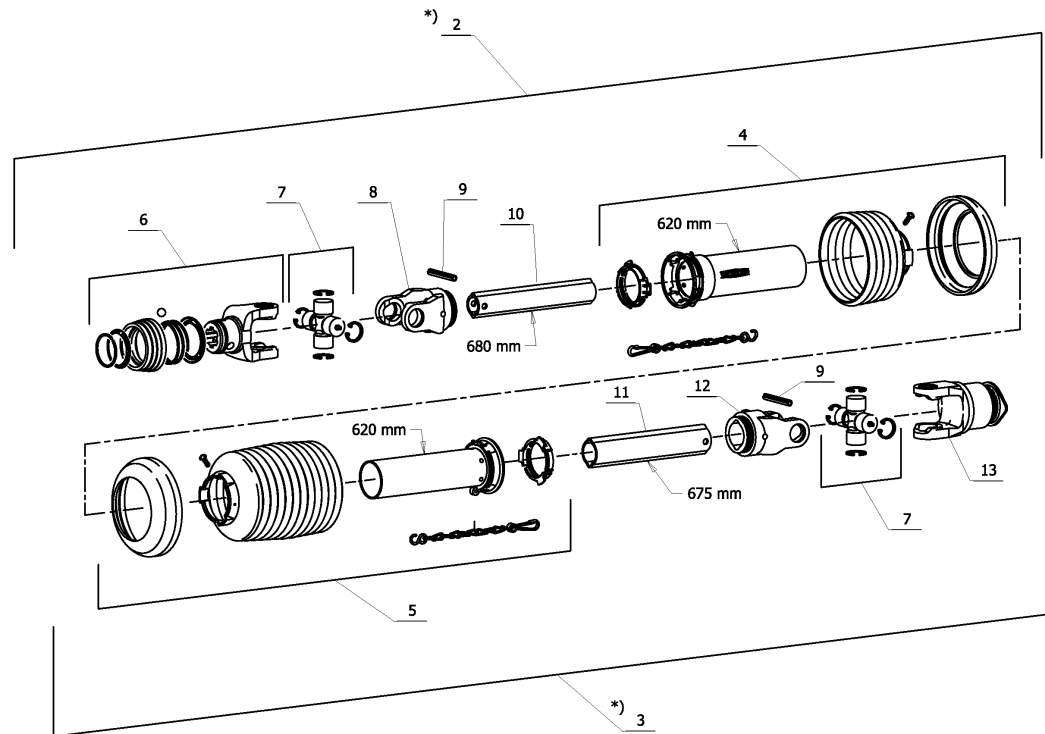


PosNo.	Part No.	Qty.	Description	Remark
1	A144294286	1	UPRIGHT EXTRA 117	
2	KG00355261	3	HEX. BOLT M10X40 8.8	
3	KG00362061	4	HEX. BOLT M16X55 8.8	
4	KG00474361	9	HEX. SCREW M10X30 8.8	
5	KG01068861	16	LOCK NUT M10 10	
6	KG01267461	2	WASHER M10	
7	KT2420900061	4	BUSHING	
8	VNB1308286	1	PROTECTION FRAME CM167	
9	VNB2721686	1	GUARD FRAME	
10	VN90047784	3	BUSH	
11	VN90081623	1	LYNCH PIN	
12	VNB2693386	1	BRACKET	

EXTRA 117 / P.T.O. SHAFT



Complete No. 1



*) When ordering, part No. 1 must also be indicated

SPMKT005750



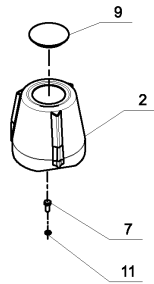
EXTRA 117 / P.T.O. SHAFT

PosNo.	Part No.	Qty.	Description	Remark
1	KT99244330	1	PTO SHAFT W2300 SD15SW 810 F5/1R	Walterscheid No. 149884
2	KT99244582	1	PTO SHAFT INNER HALF, COMPLETE	
3	KT99244583	1	PTO SHAFT OUTER HALF, COMPLETE	
4	KT99244584	1	OUTER PROTECTION TUBE, COMPLETE	Walterscheid No. 116169
5	KT99244585	1	INNER PROTECTION TUBE, COMPLETE	Walterscheid No. 116170
6	KT99244586	1	YOKE, COMPLETE	Walterscheid No. 133834
7	KT99244588	2	CROSS, COMPLETE	Walterscheid No. 116403
8	KT99235524	1	YOKE	Walterscheid No. 041315
9	KT99330583	2	TENSION PIN X 10-65	Walterscheid No. 020614
10	KT99244589	1	INNER PROFILE TUBE	Walterscheid No. 135936
11	KT99244591	1	OUTER PROFILE TUBE	Walterscheid No. 136155
12	KT99244592	1	YOKE	Walterscheid No. 041318
13	KT99244587	1	OVERRUN CLUTCH	Walterscheid No. 172630

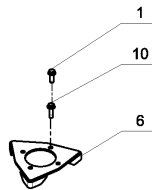
EXTRA 117 / OPTIONAL EQUIPMENT



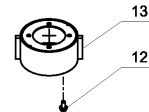
Complete No. 14



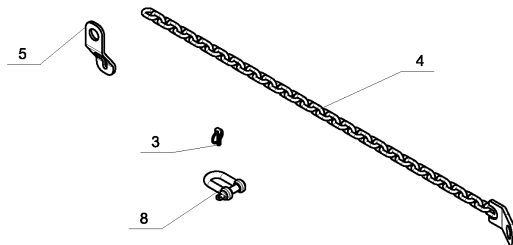
Complete No. 15



Complete No. 16



Complete No. 17



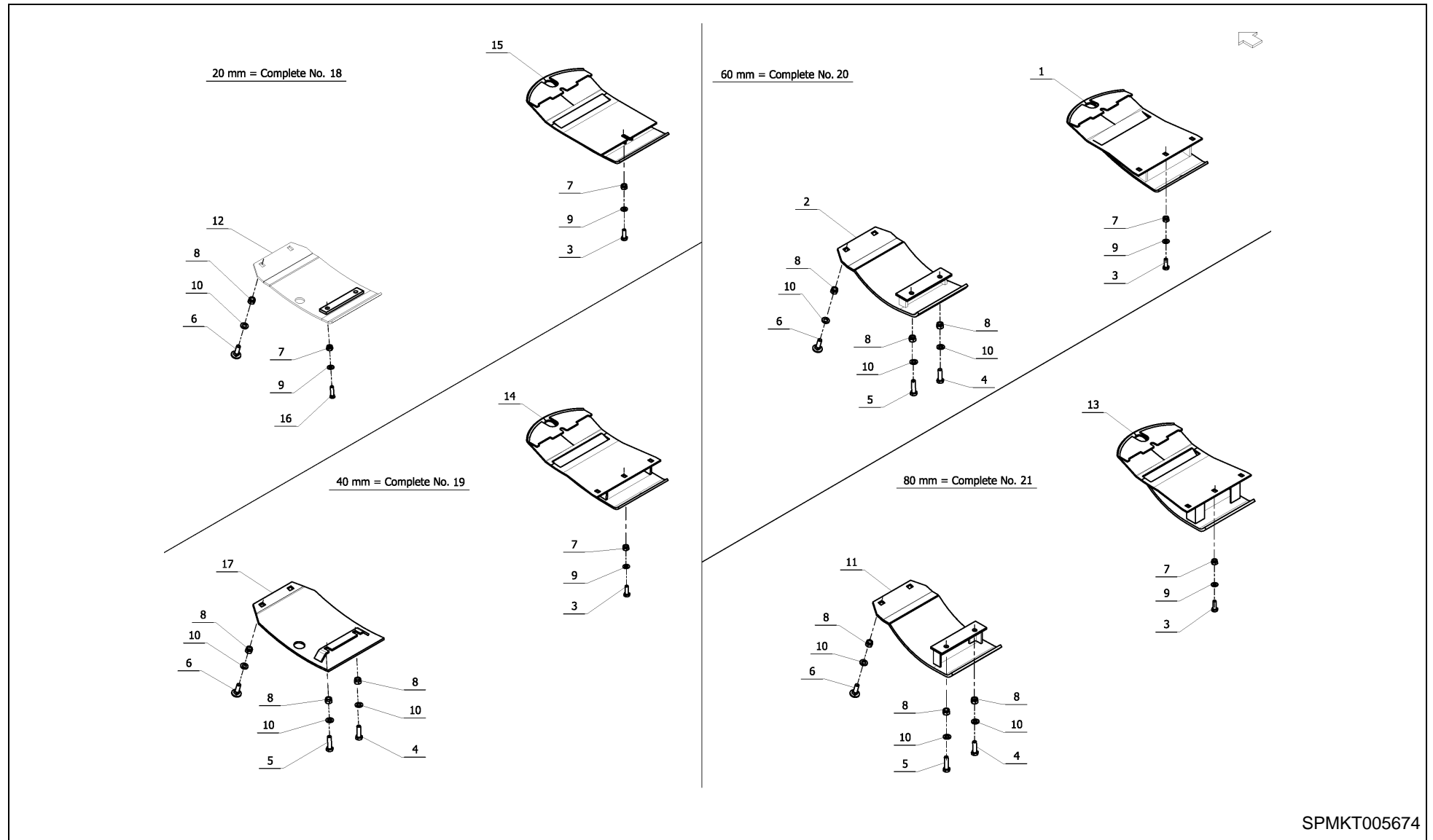
SPMKT005760



EXTRA 117 / OPTIONAL EQUIPMENT

PosNo.	Part No.	Qty.	Description	Remark
1	KT99308828	16	STEEL BOLT(VERBUS RIBB BOLT) M10X25 10.9	
2	KT2441000086	1	CONE, TRIANGULAR DISC	
3	KT42176000	1	LINCH PIN Ø10MM	
4	KT6755820061	1	CHAIN	
5	KT9089800061	1	BRACKET	
6	KT2441300086	4	CONE, LOW	
7	KT99322670	4	STEELSET SCREW M10X25 12.9	
8	KT99452075	1	SHACKLE 3/4"	
9	VN99770348	1	CAP	
10	KT99308830	16	STEEL BOLT(VERBUS RIBB BOLT) M10X30 10.9	
11	KT99333832	4	NORD-LOCK WASHER NL3/8" (10,3 X 16,6)	
12	KG00981861	4	FLANGED BOLT M10X20 90	
13	KT9273500086	1	FLOW DRUM 80MM	
14	ACCESSOIRE	1	PLEASE CONTACT YOUR DEALER	
15	ACCESSOIRE	1	PLEASE CONTACT YOUR DEALER	
16	ACCESSOIRE	1	PLEASE CONTACT YOUR DEALER	
17	ACCESSOIRE	1	PLEASE CONTACT YOUR DEALER	

EXTRA 117 / OPTIONAL EQUIPMENT



SPMKT005674



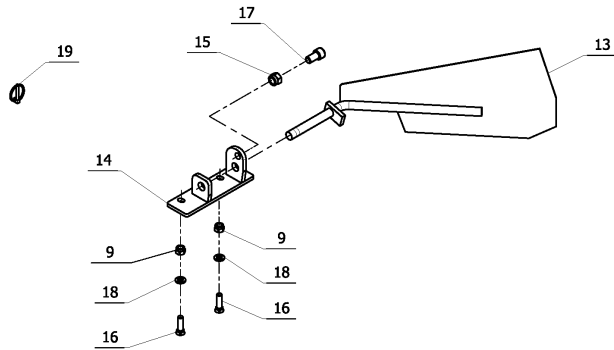
EXTRA 117 / OPTIONAL EQUIPMENT

PosNo.	Part No.	Qty.	Description	Remark
1	A144027686	1	HIGH SKID 60 MM	
2	A151025286	1	HIGH LIFT SKID, LH, 60 MM	
3	KG00474361	1	HEX. SCREW M10X30 8.8	
4	KG00476761	1	HEX. SCREW M12X40 8.8	
5	KG00476861	1	HEX. SCREW M12X45 8.8	
6	KG00645061	2	CARRIAGE BOLT M12X40 8.8 VZ. DIN603	
7	KG01064161	3	LOCK NUT M10 8	
8	KG01064261	2	LOCK NUT M12 8	
9	KG01267461	3	WASHER M10	
10	KG01267561	2	WASHER M12	
11	KT2428400086	1	HIGH LIFT SKID, LH, 80 MM	
12	KT2434200086	1	HIGH LIFT SKID, LH, 20MM	
13	KT5515300086	1	HIGH LIFT SKID 80 MM	
14	KT5524000086	1	HIGH LIFT SKID 40 MM	
15	KT5535000086	1	HIGH LIFT SKID 20MM	
16	A151511361	2	PLOUGHBOLT M10-50	
17	KT5657630086	1	HIGH LIFT SKID, LH, 40MM	
18	ACCESSOIRE	1	PLEASE CONTACT YOUR DEALER	
19	ACCESSOIRE	1	PLEASE CONTACT YOUR DEALER	
20	ACCESSOIRE	1	PLEASE CONTACT YOUR DEALER	
21	ACCESSOIRE	1	PLEASE CONTACT YOUR DEALER	

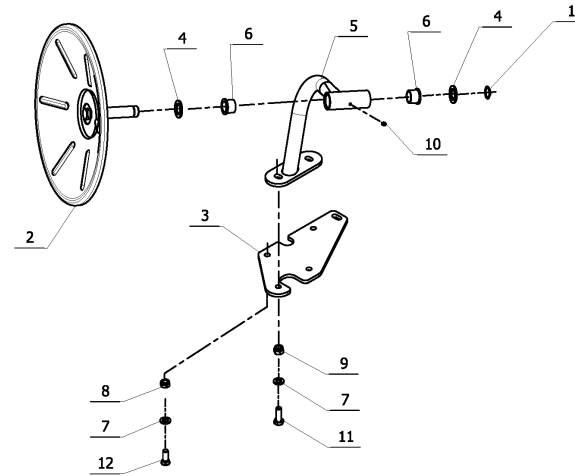
EXTRA 117 / OPTIONAL EQUIPMENT



Complete No. 20



Complete No. 21



SPMKT005761



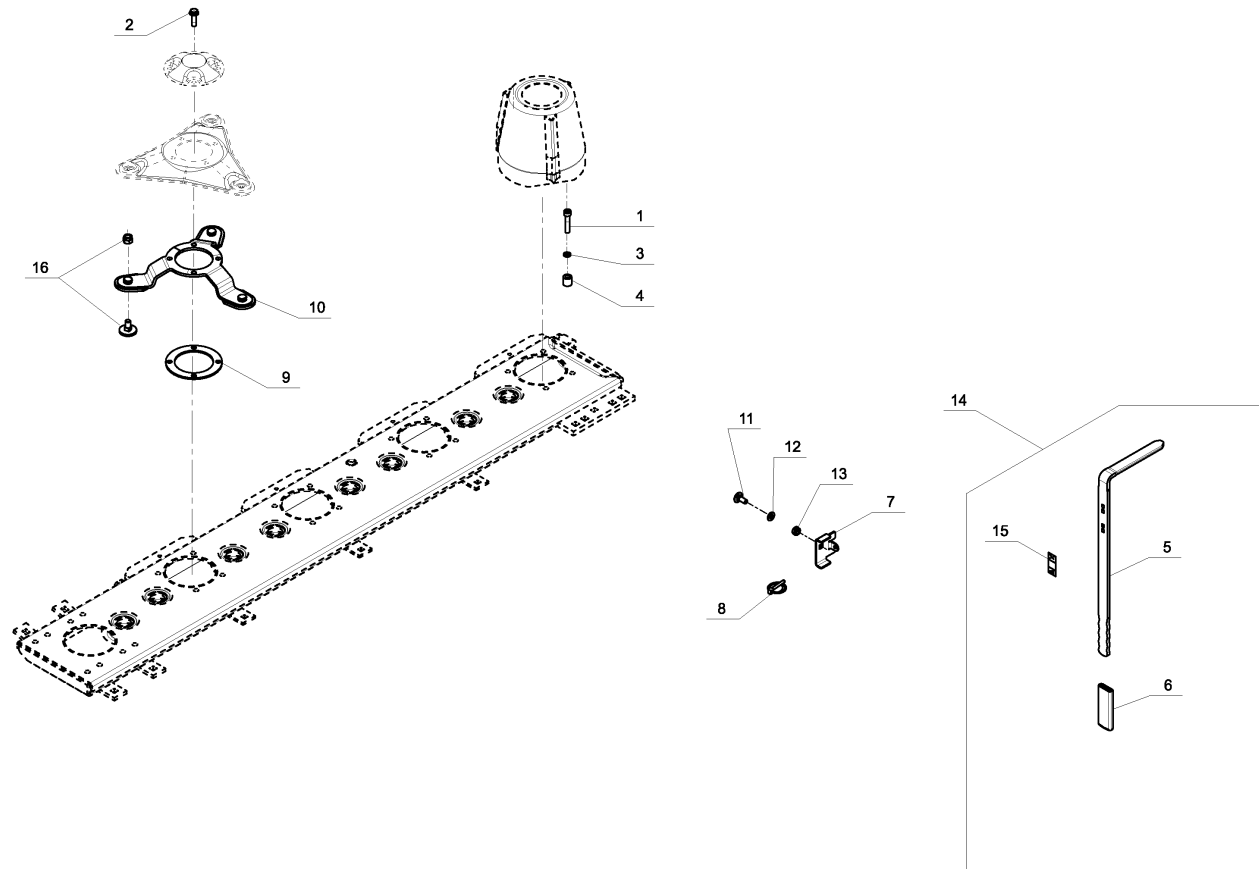
EXTRA 117 / OPTIONAL EQUIPMENT

PosNo.	Part No.	Qty.	Description	Remark
1	KG01108362	1	CIRCLIP-A 25 X 1.2	
2	A132555186	1	DISC DEFLECTOR Ø419	
3	KT2433400086	1	PLATE	
4	VF06214477	2	SPACER 25X35X1 D988	
5	KT5684010086	1	BRACKET FOR SWATH DISC	
6	KT99155025	2	NYLON BUSHING	
7	KG01267561	4	WASHER M12	
8	KG01073361	2	LOCK NUT M12 10	
9	KG01064261	2	LOCK NUT M12 8	
10	KT99417025	2	GREASE NIPPLE M6 TYPE I DS 6004	
11	KG00476661	2	HEX. SCREW M12X35 8.8	
12	KT4543100061	2	PLOUGH BOLT M12X35	
13	VNB1695586	1	SWATH BOARD	
14	A132809586	1	BRACKET LH SWATHBOARD	
15	KG01064461	1	LOCK NUT M16 8	
16	KT4539500061	2	PLOUGH BOLT M12-45	
17	KG00554561	1	CHEESE HEAD SCREW M16X30 8.8	
18	KG01267561	2	WASHER M12	
19	VF16623241	1	LYNCH PIN 5X32 DIN11023 GALV.	
20	ACCESSOIRE	1	PLEASE CONTACT YOUR DEALER	
21	ACCESSOIRE	1	PLEASE CONTACT YOUR DEALER	

EXTRA 117 / OPTIONAL EQUIPMENT



Complete No. 17



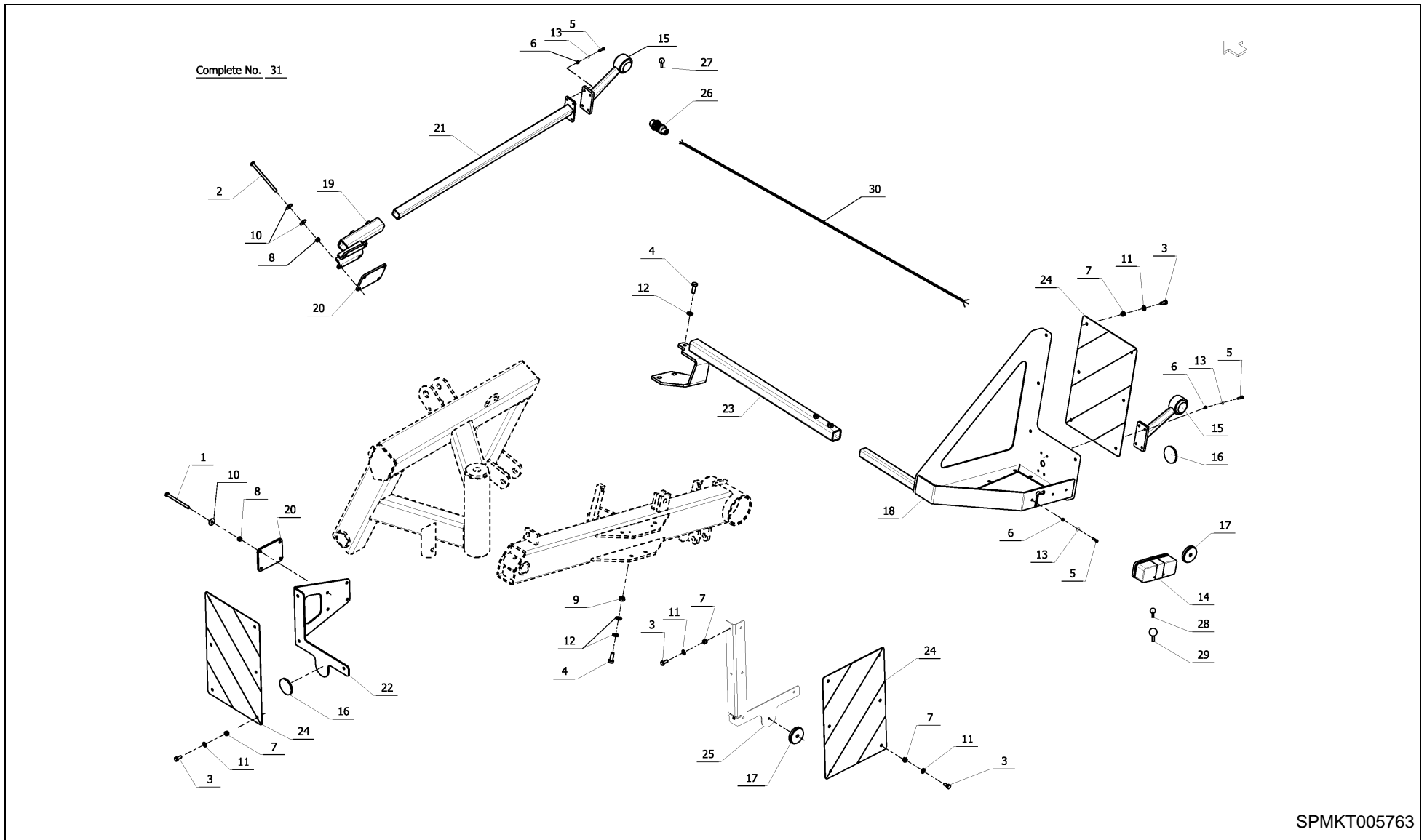
SPMKT005759



EXTRA 117 / OPTIONAL EQUIPMENT

PosNo.	Part No.	Qty.	Description	Remark
1	KG01904500	1	CHEESE HEAD SCREW M10X60 12.9	
2	KT99308832	16	STEEL BOLT M10X35 10.9(VERBUS RIBB BOLT)	
3	KT99333832	4	NORD-LOCK WASHER NL3/8" (10,3 X 16,6)	
4	KT5539800061	4	BUSHING	
5	KT5517400061	1	TOOL	
6	KT38218000	1	PLASTIC HANDLE	
7	KT5577300061	1	PARKING BRACKET	
8	KT99331901	1	LINCH PIN Ø 6	
9	KT5526900061	4	WASHER 4MM (EXPRESS)	
10	KT5518500086	4	EXPRESS SPRING	
11	KG00641461	1	CARRIAGE BOLT M10X25 8.8	
12	KG01267461	1	WASHER M10	
13	KG01072361	1	LOCK NUT M10 8	
14	KT55177000	1	TOOL COMPLETE	
15	KT55769000	1	DECAL	
16	KT56998000	1	KIT OF KNIFE BOLT (25 PCS.)	
17	ACCESSOIRE	1	PLEASE CONTACT YOUR DEALER	

EXTRA 117 / OPTIONAL EQUIPMENT



SPMKT005763



EXTRA 117 / OPTIONAL EQUIPMENT

PosNo.	Part No.	Qty.	Description	Remark
1	KG00354361	4	HEX. BOLT M8X110 8.8	
2	KG00354561	4	HEX. BOLT M8X130 8.8	
3	KG00471961	14	HEX. SCREW M8X20 8.8	
4	KG00474361	3	HEX. SCREW M10X30 8.8	
5	KG00701263	10	CHEESE HEAD SCREW M5X20 4.8	
6	KG01063861	10	LOCK NUT M5 8	
7	KG01064061	14	LOCK NUT M8 8	
8	KG01067561	8	LOCK NUT M8 8	
9	KG01067661	3	LOCK NUT M10 8	
10	KG01259761	12	WASHER 8.4 ST	
11	KG01267361	14	WASHER M8	
12	KG01267461	6	WASHER M10	
13	KT99333507	10	DISC	
14	KT99474335	1	REAR LIGHT	
15	KT99474348	2	SIDE LIGHT RED/WHITE	
16	VF06214037	2	REFLEX, CIRCULAR YELLOW, ADHESIVE D60	
17	VF16623510	2	REFLECTOR, ROUND, RED ADHESIVE D60	
18	VNB4350486	1	SUPPORT	
19	VNB4363086	1	SUPPORT	
20	VNB4363186	2	PLATE	
21	VNB4364086	1	TUBE	
22	VNB4364586	1	PLATE	
23	VNB4374586	1	HOLDER	
24	VNB4375878	3	SET RED/WHITE PANELS 423X282	
25	A151704786	1	BRACKET	
26	KT99478196	1	7 PIN PLUG	
27	KT99477133	2	LIGHTING BULB 12V 5W	
28	KT99477137	1	LIGHTING BULB 12 10W	
29	KT99477138	2	LIGHTING BULB 12V 21W	
30	A151705030	1	CABLE	
31	ACCESSOIRE	1	PLEASE CONTACT YOUR DEALER	

EXTRA 117 / Part No Index



Part No.	Page	Pos No	Part No.	Page	Pos No	Part No.	Page	Pos No	Part No.	Page	Pos No
A100026362	3	12	KG00354361	15	1	KG00644961	6	4	KG01072361	7	12
A100026762	4	27	KG00354561	15	2	KG00644961	7	5	KG01072361	14	13
A100031462	2	22	KG00355261	9	2	KG00645061	12	6	KG01073361	13	8
A132211161	2	1	KG00355461	2	10	KG00645861	6	5	KG01074461	3	10
A132373194	1	2	KG00357661	2	25	KG00645861	7	6	KG01099362	3	11
A132555186	13	2	KG00362061	2	24	KG00701263	15	5	KG01108362	13	1
A132809586	13	14	KG00362061	3	1	KG00936500	3	7	KG01130900	4	26
A144027686	12	1	KG00362061	9	3	KG00981861	11	12	KG01190062	3	13
A144119974	2	23	KG00362661	3	2	KG01051961	6	6	KG01191862	2	26
A144144030	5	23	KG00362861	3	3	KG01051961	7	7	KG01192062	2	27
A144196800	1	4	KG00471961	15	3	KG01063861	15	6	KG01192300	4	24
A144196800	2	14	KG00474361	4	21	KG01064061	15	7	KG01192362	3	14
A144294286	9	1	KG00474361	9	4	KG01064161	6	7	KG01194362	3	15
A151025286	12	2	KG00474361	12	3	KG01064161	7	8	KG01197100	4	33
A151456686	5	26	KG00474361	15	4	KG01064161	12	7	KG01197162	3	16
A151511361	12	16	KG00476261	5	9	KG01064261	6	8	KG01252661	1	7
A151704786	15	25	KG00476661	13	11	KG01064261	7	9	KG01252661	3	17
A151705030	15	30	KG00476662	3	4	KG01064261	12	8	KG01253761	2	3
A151771700	4	6	KG00476761	3	5	KG01064261	13	9	KG01253761	3	18
A151771800	4	22	KG00476761	12	4	KG01064461	13	15	KG01259761	15	10
ACCESSOIRE	11	14	KG00476861	12	5	KG01067561	6	9	KG01261761	1	19
ACCESSOIRE	11	15	KG00542161	5	1	KG01067561	7	10	KG01267361	15	11
ACCESSOIRE	11	16	KG00545061	6	1	KG01067561	15	8	KG01267461	1	17
ACCESSOIRE	11	17	KG00545061	7	1	KG01067661	1	6	KG01267461	6	11
ACCESSOIRE	12	18	KG00546861	1	5	KG01067661	15	9	KG01267461	7	13
ACCESSOIRE	12	19	KG00554561	13	17	KG01067961	1	24	KG01267461	9	6
ACCESSOIRE	12	20	KG00596100	3	6	KG01067961	2	2	KG01267461	12	9
ACCESSOIRE	12	21	KG00639361	6	2	KG01067961	3	8	KG01267461	14	12
ACCESSOIRE	13	20	KG00639361	7	2	KG01068861	2	11	KG01267461	15	12
ACCESSOIRE	13	21	KG00639561	6	3	KG01068861	9	5	KG01267561	3	19
ACCESSOIRE	14	17	KG00639561	7	3	KG01068961	3	9	KG01267561	6	12
ACCESSOIRE	15	31	KG00641461	7	4	KG01068961	6	10	KG01267561	6	13
KG00165000	4	30	KG00641461	14	11	KG01068961	7	11	KG01267561	7	14

EXTRA 117 / Part No Index



Part No.	Page	Pos No	Part No.	Page	Pos No	Part No.	Page	Pos No	Part No.	Page	Pos No
KG01267561	12	10	KT2441300086	11	6	KT5518500086	7	26	KT56149000	7	32
KG01267561	13	18	KT2447200086	2	16	KT5518500086	14	10	KT5627100061	6	29
KG01267561	13	7	KT2447400086	3	25	KT5524000086	12	14	KT5627100061	7	33
KG01267761	3	20	KT2447500086	3	26	KT5526900061	7	27	KT5657630086	12	17
KG01267861	1	1	KT2447600061	3	27	KT5526900061	14	9	KT56785000	6	41
KG01268161	3	21	KT2447700061	3	28	KT5535000086	12	15	KT5684010086	13	5
KG01360700	4	16	KT2447900063	3	29	KT5539800061	14	4	KT56998000	7	25
KG01381100	3	22	KT2448000086	2	15	KT55641100	5	19	KT56998000	14	16
KG01799100	4	18	KT24490000	8	1	KT55642100	5	8	KT60149000	2	19
KG01799200	4	20	KT24925000	4	1	KT55644000	5	11	KT60245000	2	20
KG01840800	5	14	KT38218000	7	42	KT55646100	5	12	KT6755820061	11	4
KG01904200	3	55	KT38218000	14	6	KT5564900061	5	2	KT9089800061	11	5
KG01904500	14	1	KT42176000	11	3	KT55650000	5	3	KT9273500086	11	13
KT10101000	4	32	KT4539500061	13	16	KT55651000	5	4	KT99106225	4	19
KT10105000	5	25	KT45429000	6	17	KT55670000	5	10	KT99155025	13	6
KT2418200061	1	11	KT45429000	7	18	KT55677300	4	5	KT99235524	10	8
KT2420900061	9	7	KT4543100061	6	18	KT5568820061	6	23	KT99244330	10	1
KT2428200086	6	14	KT4543100061	7	19	KT5568820061	7	28	KT99244582	10	2
KT2428200086	7	15	KT4543100061	13	12	KT55695100	5	24	KT99244583	10	3
KT2428400086	12	11	KT48953000	2	30	KT55706100	5	21	KT99244584	10	4
KT2429300086	3	23	KT5512510086	6	19	KT55710200	5	22	KT99244585	10	5
KT2433400086	13	3	KT5512510086	7	20	KT55729100	5	13	KT99244586	10	6
KT2434200086	12	12	KT5513600094	6	20	KT55769000	7	48	KT99244587	10	13
KT2434500086	2	4	KT5513600094	7	21	KT55769000	14	15	KT99244588	10	7
KT2434600086	3	24	KT5513700086	6	21	KT5577300061	7	29	KT99244589	10	10
KT2434700086	2	5	KT5513700086	7	22	KT5577300061	14	7	KT99244591	10	11
KT2434800086	6	15	KT5513910086	6	22	KT5611030001	6	24	KT99244592	10	12
KT2434800086	7	16	KT5513910086	7	23	KT5611040001	6	25	KT99250427	4	14
KT2436100086	5	20	KT5515300086	12	13	KT5611040001	7	30	KT99250556	4	15
KT24382000	1	32	KT5517400061	7	24	KT5611050001	6	26	KT99250592	4	29
KT2441000086	6	16	KT5517400061	14	5	KT5611090001	6	27	KT99250910	4	11
KT2441000086	7	17	KT55177000	7	47	KT5611090001	7	31	KT99250946	4	13
KT2441000086	11	2	KT55177000	14	14	KT56149000	6	28	KT99250982	4	28

EXTRA 117 / Part No Index



Part No.	Page	Pos No	Part No.	Page	Pos No	Part No.	Page	Pos No	Part No.	Page	Pos No
KT99251148	4	12	KT99417020	3	37	VN18620326	3	32	VN98661901	3	41
KT99251168	4	4	KT99417025	13	10	VN18620326	4	7	VN99460908	3	40
KT99251170	4	8	KT99420109	5	15	VN18620328	3	58	VN99770348	6	36
KT99251171	4	9	KT99420109	6	34	VN19330150	1	23	VN99770348	7	41
KT99251172	4	10	KT99420109	7	39	VN19342336	1	20	VN99770348	11	9
KT99251301	4	3	KT99420125	5	18	VN31425007	3	35	VNB0595493	3	45
KT99251302	4	17	KT99420238	5	17	VN36107339	2	17	VNB0595593	3	46
KT99251303	4	2	KT99420286	5	16	VN43301603	3	38	VNB1077102	2	18
KT99308826	6	30	KT99420286	6	35	VN90013805	6	37	VNB1285578	2	28
KT99308828	11	1	KT99420286	7	40	VN90013805	7	43	VNB1300594	3	47
KT99308830	11	10	KT99424074	4	31	VN90043838	1	13	VNB1302286	2	6
KT99308832	7	34	KT99452075	11	8	VN90044041	2	8	VNB1306893	2	21
KT99308832	14	2	KT99457134	5	27	VN90044085	2	13	VNB1308286	9	8
KT99322670	6	31	KT99457135	5	28	VN90044288	1	9	VNB1310378	1	33
KT99322670	7	35	KT99458109	5	5	VN90044366	1	10	VNB1326493	1	12
KT99322670	11	7	KT99462633	5	6	VN90047784	1	28	VNB1347778	2	29
KT99328825	6	32	KT99462718	5	7	VN90047784	9	10	VNB1695586	13	13
KT99328825	7	36	KT99474335	15	14	VN90070335	3	31	VNB1870178	1	30
KT99328865	1	16	KT99474348	15	15	VN90081159	3	42	VNB1885693	1	8
KT99330583	10	9	KT99477133	15	27	VN90081166	6	38	VNB1978693	1	31
KT99331901	7	37	KT99477137	15	28	VN90081166	7	44	VNB2094686	1	21
KT99331901	14	8	KT99477138	15	29	VN90081623	9	11	VNB2099493	1	29
KT99331907	1	14	KT99478196	15	26	VN90083104	3	43	VNB2111593	1	26
KT99333507	15	13	VF01157402	3	33	VN90083233	1	25	VNB2111693	1	27
KT99333832	3	30	VF06214037	15	16	VN90091569	1	3	VNB2117194	3	48
KT99333832	6	33	VF06214477	13	4	VN90091569	2	9	VNB2127786	3	50
KT99333832	7	38	VF16620041	2	7	VN90130051	6	39	VNB2198393	3	51
KT99333832	11	11	VF16623241	13	19	VN90130051	7	45	VNB2298793	3	52
KT99333832	14	3	VF16623510	15	17	VN97870978	3	44	VNB2540293	3	53
KT99350025	4	25	VF16646405	3	36	VN98613840	3	56	VNB2575286	3	54
KT99350525	3	34	VF16647666	3	57	VN98614940	2	12	VNB2693386	9	12
KT99352801	8	2	VF16660164	1	15	VN98621377	3	39	VNB2721686	9	9
KT99354026	4	23	VN18612529	1	22	VN98633023	3	49	VNB3737086	1	18



EXTRA 117 / Part No Index

Part No.	Page	Pos No			
VNB4350486	15	18			
VNB4363086	15	19			
VNB4363186	15	20			
VNB4364086	15	21			
VNB4364586	15	22			
VNB4374586	15	23			
VNB4375878	15	24			
VNB4499461	6	40			
VNB4499461	7	46			



EXTRA 117

KT479305 < Mach. ID <=

Kverneland Group Kerteminde AS
Taarupstrandvej 25
DK-5300 Kerteminde
Denmark
+45 65 19 19 00
+45 65 19 19 99

© Kverneland Group

All rights reserved. No parts of this book may be reproduced, stored in a database or retrieval system, or published in any form or in any way, electronically, mechanically, optically, by print, photo print, microfilm (including micro and macro fiche), or any other means, including all video and CD systems, without prior written permission from the publisher.

Print date: 2023-06-20

