

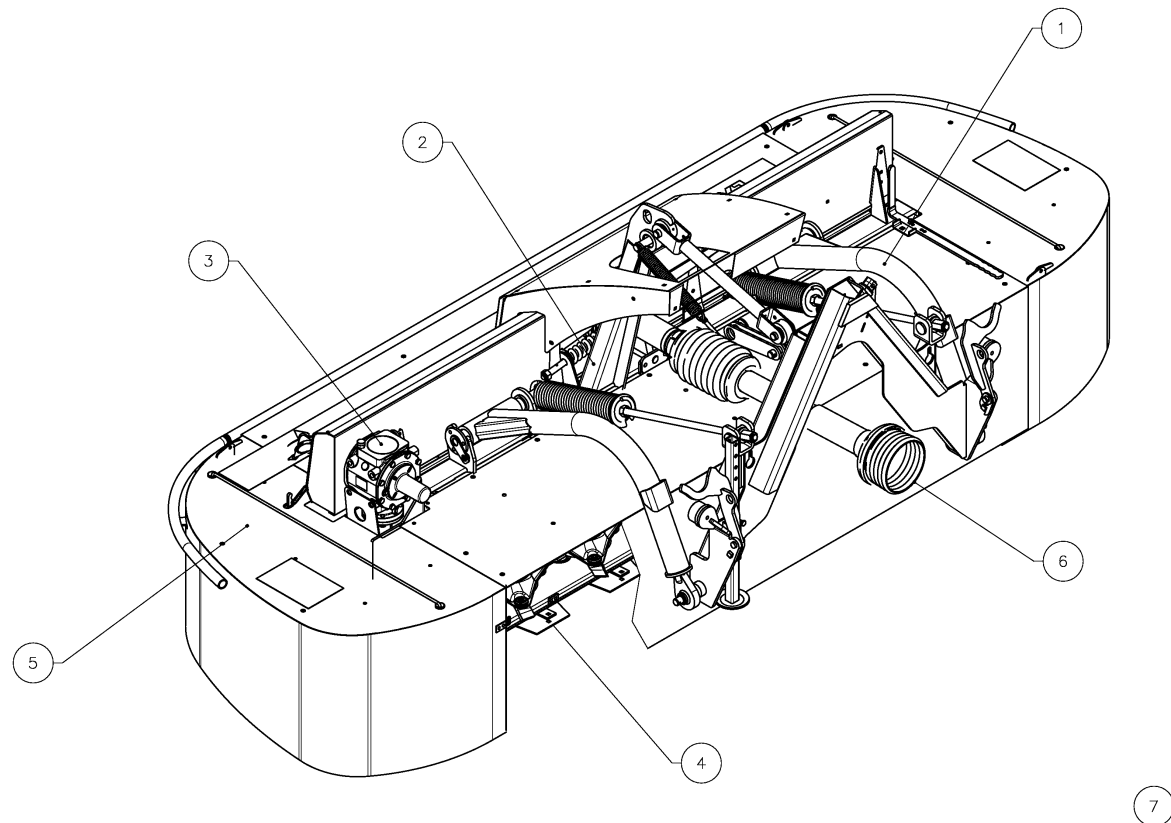
EXTRA 328F

Spare Parts Manual

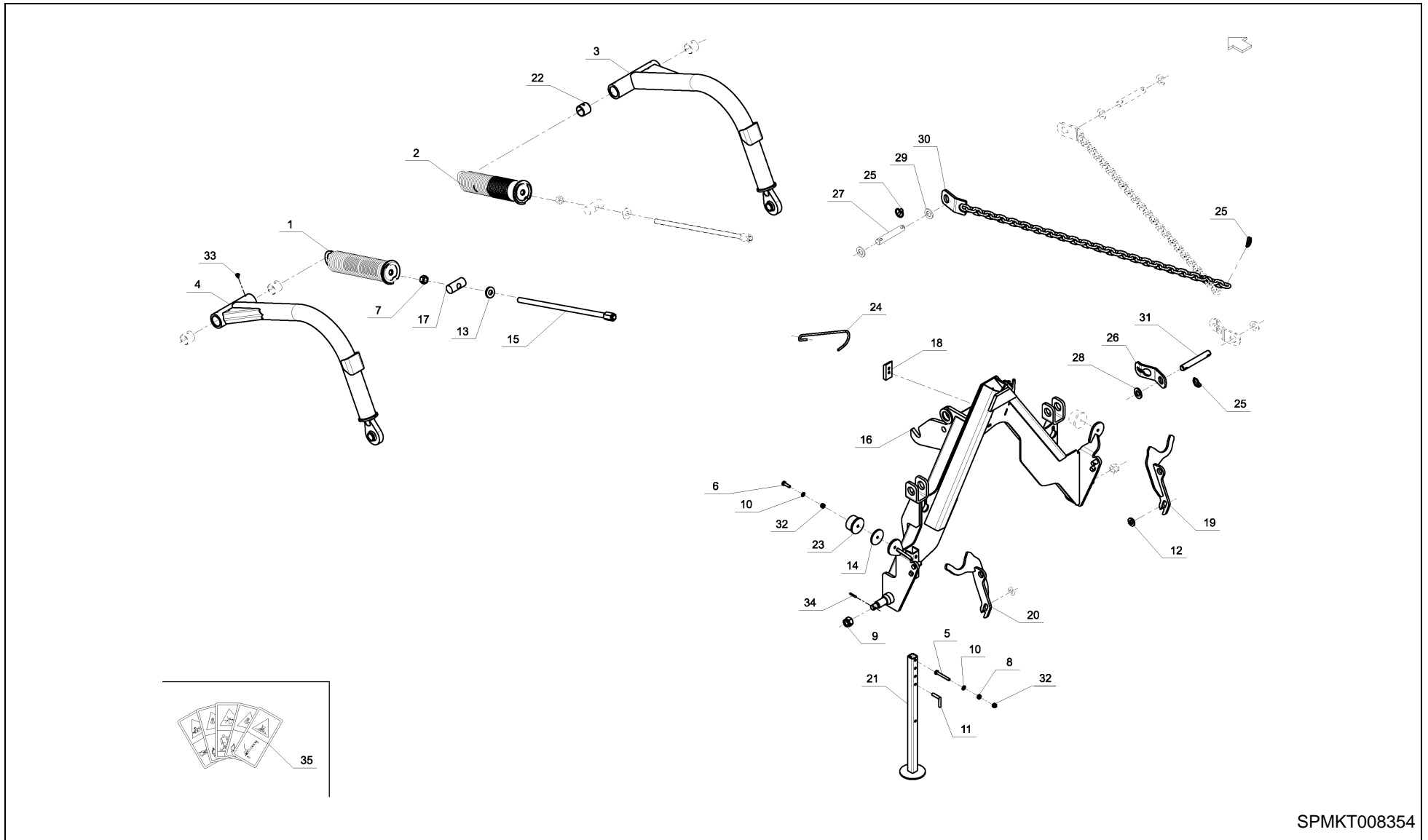
Article number: A132045900_04-2022-08
Language: EN
Production year (from): 2022
Prod. Series nr (from):
KT509577 < Mach. ID <=

EXTRA 328F / Table of Contents

PosNo.	Assembly group	Page
1	LINKAGE	1
1	LINKAGE	2
2	GUARD	3
2	MAIN FRAME	4
2	MAIN FRAME, TRANSMISSION	5
3	MAIN GEAR BOX, COMPLETE	6
4	CUTTERBAR, COMPLETE	7
4	TRANSMISSION, CUTTERBAR	8
4	TRANSMISSION, CUTTERBAR + EXPRESS	9
5	GUARD	10
5	GUARD	11
6	PTO SHAFT	12
7	OPTIONAL EQUIPMENT	13
7	OPTIONAL EQUIPMENT	14
7	OPTIONAL EQUIPMENT	15
7	OPTIONAL EQUIPMENT	16
7	OPTIONAL EQUIPMENT	17
7	OPTIONAL EQUIPMENT	18
7	OPTIONAL EQUIPMENT	19
7	OPTIONAL EQUIPMENT	20



EXTRA 328F / LINKAGE



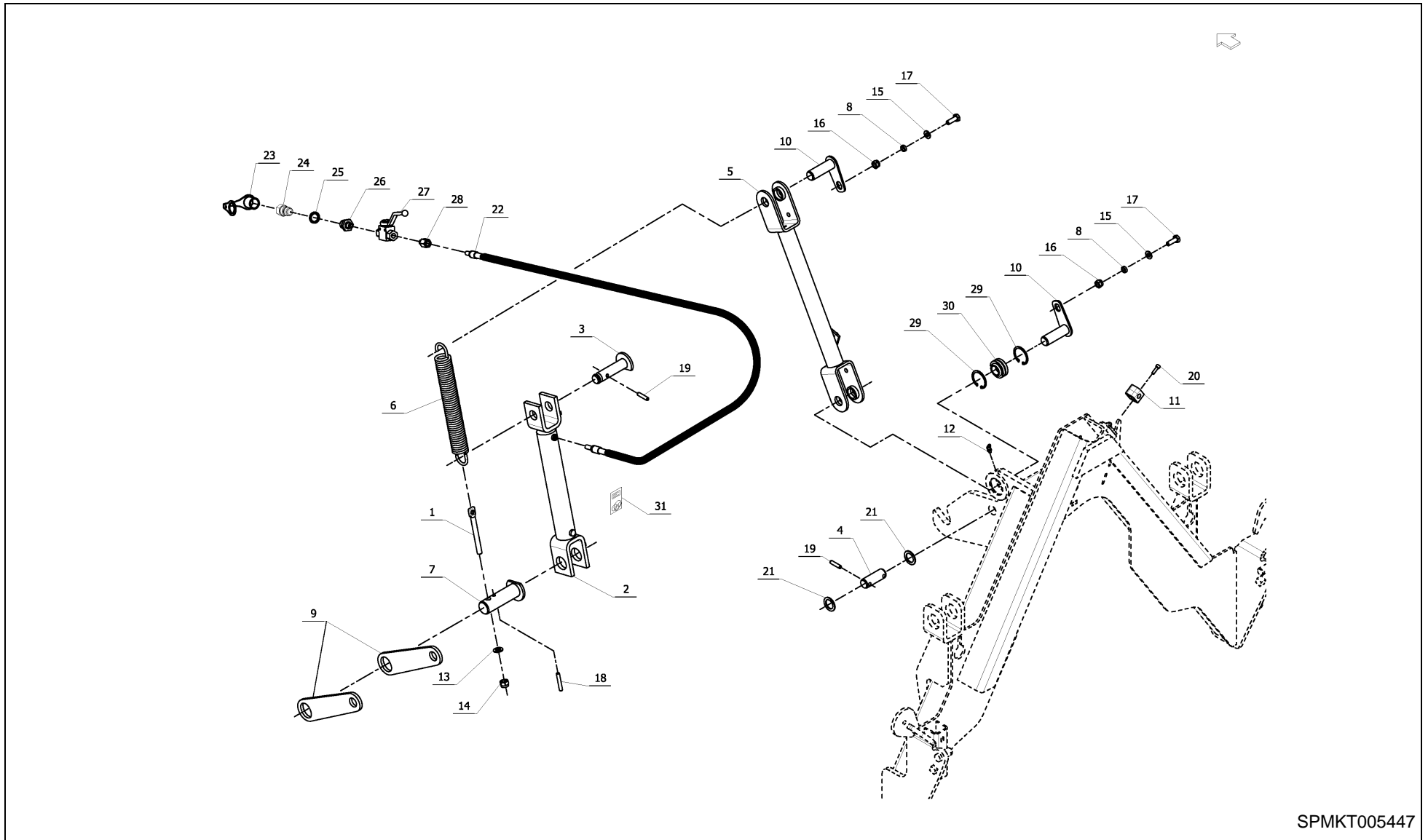
SPMKT008354



EXTRA 328F / LINKAGE

PosNo.	Part No.	Qty.	Description	Remark
1	KT9212100063	1	SPRING COMPLETE N=32 - Ø12MM	
2	KT9212200063	1	SPRING COMPLETE N=38 - Ø10MM	
3	A132582786	1	ARM RH	
4	A132582886	1	ARM LH	
5	KG00356061	1	HEX. BOLT M10X80 8.8	
6	KG00474461	2	HEX. SCREW M10X35 8.8	
7	KG01052661	2	HEX. NUT M22 8	
8	KG01052061	1	HEX. NUT M10 8	
9	KT99307973	2	SLOTTED NUT M24	
10	KG01267461	3	WASHER M10	
11	KT63438000	1	COTTER BOLT	
12	KT5882400061	2	WASHER	
13	KT68312000	2	WASHER (DISC)	
14	KT70122000	2	WASHER	
15	KT9051410061	2	SPINDLE	
16	KT9210200086	1	LINKAGE	
17	KT9211700061	2	SHAFT	
18	KT9211800061	1	PELLET	
19	KT9211910086	1	SUPPORT LEG, RH	
20	KT9212010086	1	SUPPORT LEG, LH	
21	KT9212800086	1	SUPPORT LEG	
22	KT99158088	4	GLACIER BUSHING PM 4545 DX	
23	KT99450758	2	RUBBER DAMPER	
24	VNB1326493	1	HOOK	
25	KT42176000	8	LINCH PIN Ø10MM	
26	KT9089800061	2	BRACKET	
27	A132877061	2	PIN	
28	KT9249400061	2	WASHER Ø50/Ø26	
29	A132877561	4	WASHER Ø50/Ø29	
30	KT6755820061	2	CHAIN	
31	KT9249300061	2	PIN	
32	KG01064161	4	LOCK NUT M10 8	
33	KT99417027	4	GREASE NIPPEL M6 TYPE 3 DS 6004	
34	A100031462	2	TENSION PIN 6X36 DIN EN ISO 8752 DACROM	
35	KT92378000	1	DECAL KIT	

EXTRA 328F / LINKAGE

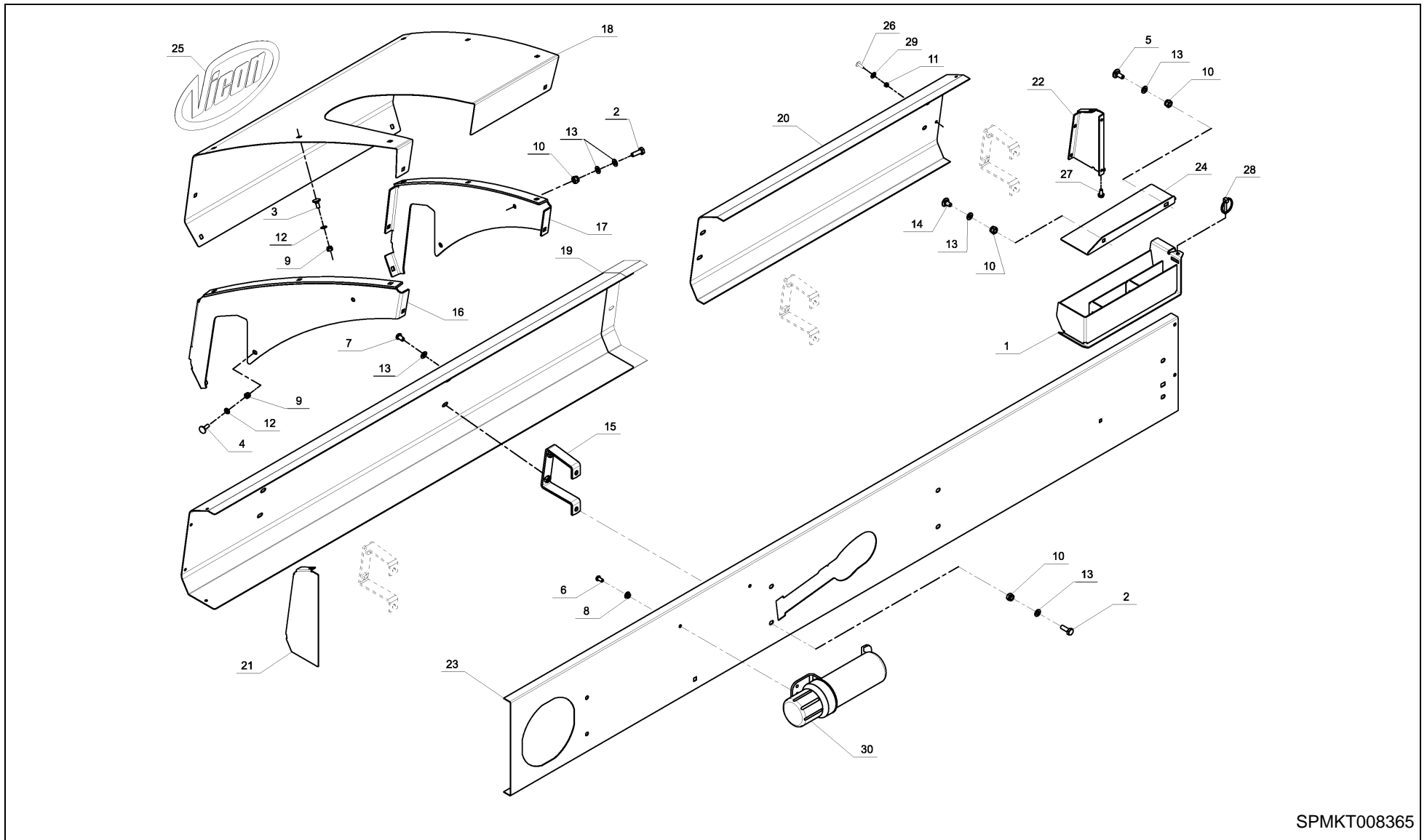




EXTRA 328F / LINKAGE

PosNo.	Part No.	Qty.	Description	Remark
1	KT33412200	1	SPRING TIGHTENER	
2	KT9199900086	1	HYDRAULIC CYLINDER	
3	KT9212300061	1	COTTERBOLT	
4	KT9211500061	1	BOLT	
5	KT9210700086	1	ARM	
6	KT9211400063	1	SPRING	
7	KT9212400061	1	COTTERBOLT	
8	KT3130700061	2	RING	
9	KT9211310061	2	PLATE	
10	KT9148500061	2	BOLT	
11	KT99408952	4	TUBE SUPPORT SINGLE	
12	KT99417025	1	GREASE NIPPLE M6 TYPE I DS 6004	
13	KG01267561	1	WASHER M12	
14	KG01064261	1	LOCK NUT M12 8	
15	KG01267461	2	WASHER M10	
16	KG01064161	2	LOCK NUT M10 8	
17	KG00474361	2	HEX. SCREW M10X30 8.8	
18	KG01192062	1	TENSION PIN 8X50	
19	KG01191762	3	TENSION PIN 8X36	
20	KG00543461	4	CHEESE HEAD SCREW M6X20 8.8	
21	VF06214313	2	WASHER 26X38X2 GALV.	
22	KT92221000	1	HYDRAULIC HOSE L=2000MM	
23	KT60245000	1	PROTECTION CAP BLUE	
24	KT60149000	1	QUICK COUPLING 1/2"	
25	KT99428518	1	SEALING WASHER 1/2" X 28,6 MM	
26	KT99402350	1	ADAPTOR 1/2"-1/4"	
27	KT99407085	1	BALL VALVE 1/4"	
28	KT2424200061	1	NOZZLE Ø1,8 MM	
29	KG01128762	2	CIRCLIP-B 47 X 1.75	
30	KT99160045	1	BEARING Ø 25 GE25FO 2RS	
31	KT99413223	1	GASKET KIT FOR HYDRAULIC CYLINDER	

EXTRA 328F / GUARD



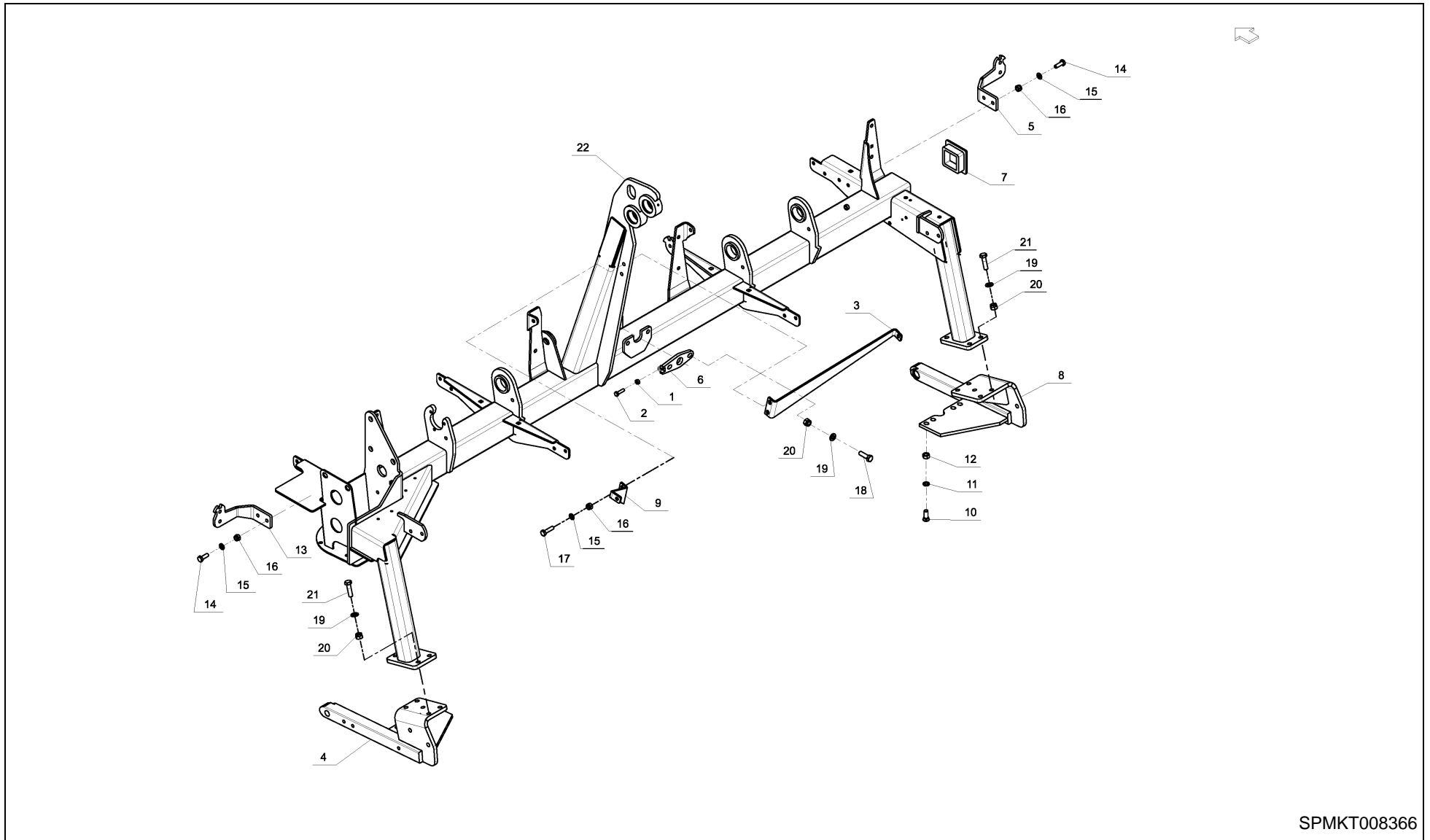
SPMKT008365



EXTRA 328F / GUARD

PosNo.	Part No.	Qty.	Description	Remark
1	A132863094	1	TOOL BOX	
2	KG00474361	12	HEX. SCREW M10X30 8.8	
3	KG00639061	6	CARRIAGE BOLT M8X20 8.8	
4	KG00639161	6	CARRIAGE BOLT M8X25 8.8	
5	KG00641461	1	CARRIAGE BOLT M10X25 8.8	
6	KG00731263	2	CHEESE HEAD SCREW M8X16 10.9	
7	KG00732363	8	CHEESE HEAD SCREW M10X16 10.9	
8	KG01061261	2	TENSILOCK NUT M8 8	
9	KG01064061	6	LOCK NUT M8 8	
10	KG01064161	16	LOCK NUT M10 8	
11	KG01067361	6	LOCK NUT M6 8	
12	KG01267361	6	WASHER M8	
13	KG01267461	20	WASHER M10	
14	A151511461	1	CARRIAGE BOLT M10-20	
15	KT9213200061	4	BRACKET	
16	KT9213500094	1	GUARD LH	
17	KT9213600094	1	GUARD RH	
18	KT9213700094	1	GUARD	
19	A151862694	1	LH BELT GUARD 2,8M	
20	KT9237300094	1	GUARD RH	
21	A151853694	1	BELT GUARD END PLATE	
22	KT9216010094	1	GUARD, RH	
23	KT9237100094	1	GUARD	
24	KT9216520086	1	PLATE	
25	KT90757000	1	DECAL "VICON"	
26	KT99316108	6	SKRUE HALVR.HOVED M6X12 I7380 10.9-A2	
27	KT99328865	2	SELF TAPPING HEX.SCREW M8X16 A3C DIN7500	
28	KT99331901	1	LINCH PIN Ø 6	
29	KT99333100	6	WASHER (DISC)	
30	VF16660164	1	DOCUMENT BOX D=89 MM	

EXTRA 328F / MAIN FRAME



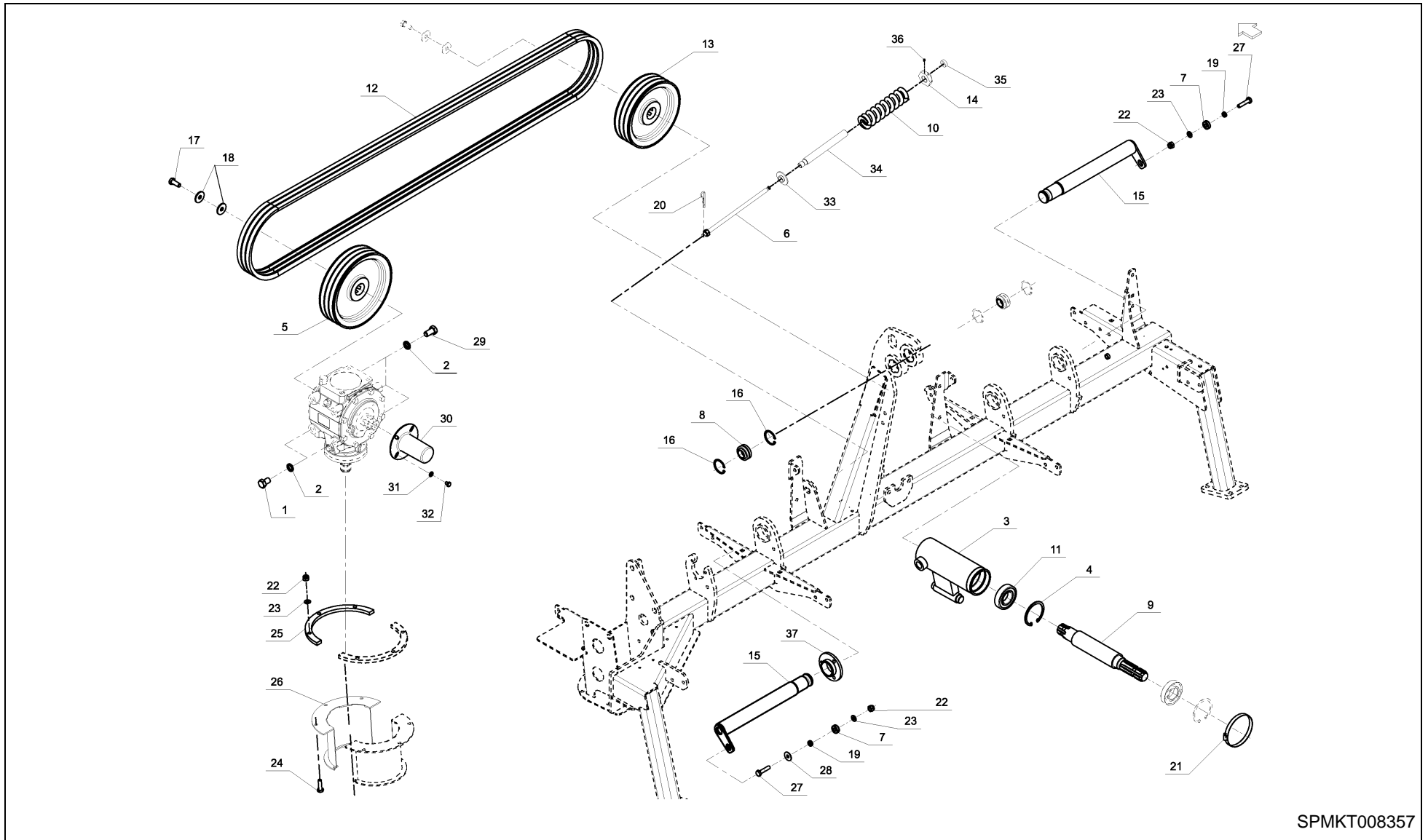
SPMKT008366



EXTRA 328F / MAIN FRAME

PosNo.	Part No.	Qty.	Description	Remark
1	KG01051961	1	HEX. NUT M8 8	
2	KG00472261	1	ML2. SCREW M8X30 8.8	
3	KT9215710086	1	BRACKET, RH	
4	KT9218700086	1	BRACKET LH	
5	KT9249510086	1	BRACKET RH.	
6	A132712361	1	ADJUSTMENT BRACKET	
7	KT99458590	1	PLASTIC PLUG 90X90X35	
8	KT1955300086	1	BRACKET	
9	KT9215610086	1	BRACKET, LH	
10	KT4543100061	8	PLOUGH BOLT M12X35	
11	KT99333833	8	NORD-LOCK WASHER NL12 (13,0X19,5X2,5)	
12	KG01052161	8	HEX. NUT M12 8	
13	KT9249610086	1	BRACKET LH.	
14	KG00474361	4	HEX. SCREW M10X30 8.8	
15	KG01267461	6	WASHER M10	
16	KG01064161	6	LOCK NUT M10 8	
17	KG00355261	2	HEX. BOLT M10X40 8.8	
18	KG00476761	2	HEX. SCREW M12X40 8.8	
19	KG01267561	8	WASHER M12	
20	KG01064261	8	LOCK NUT M12 8	
21	KG00357461	8	HEX. BOLT M12X45 8.8	
22	KT9236600086	1	MAIN FRAME	

EXTRA 328F / MAIN FRAME, TRANSMISSION



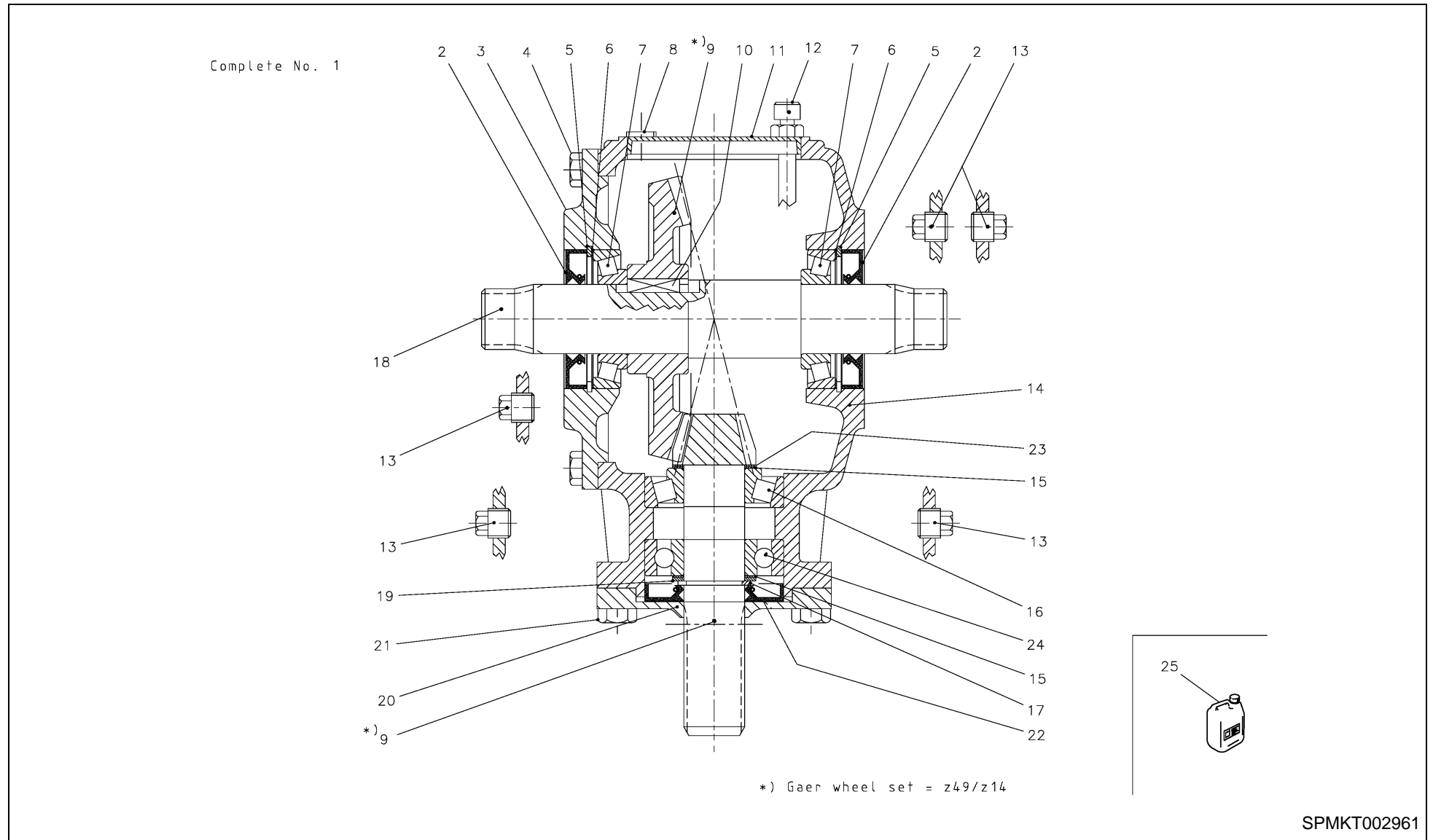
SPMKT008357



EXTRA 328F / MAIN FRAME, TRANSMISSION

PosNo.	Part No.	Qty.	Description	Remark
1	KG00479961	2	HEX. SCREW M16X25 8.8	
2	KT99333835	5	NORDLOCK LOCKING DISC 17X25,4X3,7 NL16	
3	KT9216800086	1	BEARING BRACKET	
4	A100026862	2	CIRCLIP B 80 X 2.5	
5	KT92106000	1	PULLEY 3SPB DW 255	
6	A132520861	1	ADJUSTMENT BOLT FOR BELT TENSIONER	
7	KT39688000	2	WASHER	
8	KT99160045	2	BEARING Ø 25 GE25FO 2RS	
9	KT92131000	1	SHAFT 1 3/8" Z=6	
10	KT9216600063	1	SPRING	
11	KG01477900	2	BALL BEARING 6208-2RS C3	
12	KT99202445	1	BELT SPB LW 3116 (KIT OF 3PSC)	
13	KT91471000	1	V-BELT PULLEY 3SPB DW 225	
14	A132520661	1	PLUG FOR BELT TENSIONER	
15	A132060761	2	PIVOT PIN	
16	KG01128762	4	CIRCLIP-B 47 X 1.75	
17	KG00476561	2	HEX. SCREW M12X30 8.8	
18	KT55670000	4	WASHER (DISC)	
19	KT3130700061	2	RING	
20	KT18339000	1	SPRING SPLIT	
21	KT99352040	1	HOSE BAND B12MM - SW7 (90-110) F1	
22	KG01064161	11	LOCK NUT M10 8	
23	KG01267461	11	WASHER M10	
24	KG00474461	6	HEX. SCREW M10X35 8.8	
25	A132042561	2	180DEG. 10MM SPACER	
26	A132116886	2	180DEG. GUARD ASSY HIGH CONE	
27	KG00355361	5	HEX. BOLT M10X45 8.8	
28	KG01260361	1	WASHER M10X30 ST	
29	KG00480061	3	HEX. SCREW M16X30 8.8	
30	VF16624749.97	1	GUARD (BLACK)	
31	KG01267361	4	WASHER M8	
32	KG00471461	4	HEX. SCREW M8X10 8.8	
33	A132520561	1	Ø48 BUSHING FOR BELT TENSIONER	
34	A132520761	1	TUBE FOR BELT TENSIONER	
35	A151985900	1	NYLON BUSHING	
36	KG00932400	1	SET SCREW M4X6 45H	
37	KT9237900061	1	BUSH	

EXTRA 328F / MAIN GEAR BOX, COMPLETE

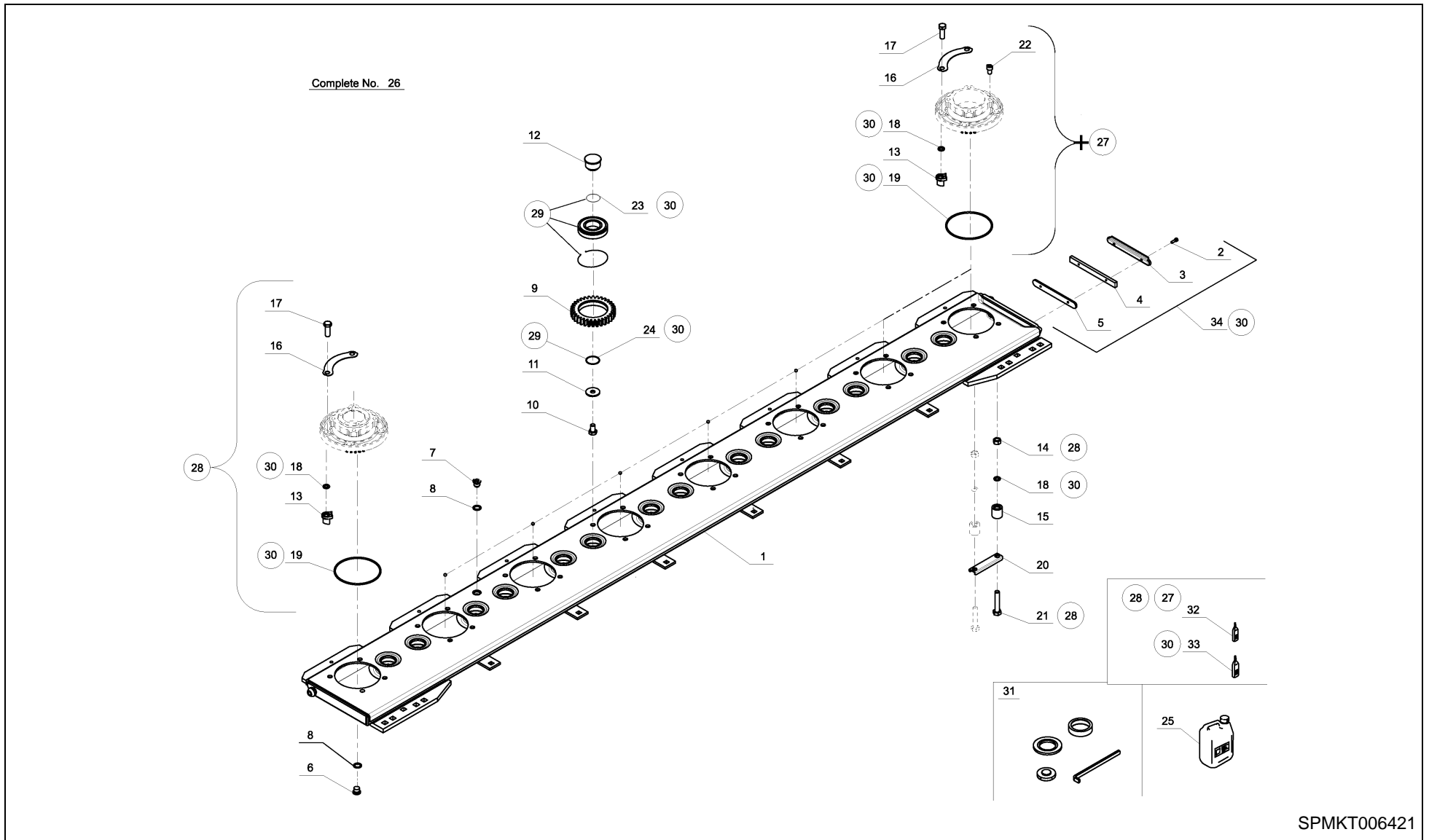




EXTRA 328F / MAIN GEAR BOX, COMPLETE

PosNo.	Part No.	Qty.	Description	Remark
1	KT99250806	1	GEAR BOX, COMPLETE	
2	KT99251290	2	DOUBLE LIP SEAL Ø40XØ80X12	
3	KT99251332	1	COVER	
4	KG00474261	8	HEX. SCREW M10X25 8.8	
5	A100026862	2	CIRCLIP B 80 X 2.5	
6	KT99250556	2	KIT WASHER (DISC) Ø79,7 - 4 PIECES	
7	KG01799800	2	TAPER ROLLER BEARING 30208	
8	KT99250583	1	PLUG	
9	KT92910000	1	GEAR WHEEL SET Z14/49	
10	KT99354142	1	KEY B12-8-35	
11	KT99251267	1	CAP 100X10	
12	KT99251340	1	DIPSTICK	
13	KT99250982	5	OIL PLUG 3/8"	
14	KT99251297	1	CASING	
15	KT99250946	2	WASHER Ø35,3-Ø48	
16	KT99106225	1	ROLLER BEARING 30307	
17	KG01099362	1	CIRCLIP-A 35 X 2.5	
18	KT99251336	1	SHAFT	
19	KT99251294	1	SHIM	
20	KT99251295	1	COVER	
21	KG00476561	4	HEX. SCREW M12X30 8.8	
22	KT99250989	1	SEAL RING	
23	KT99251298	1	SHIM Ø35,3X0,9	
24	KG01401300	1	BALL BEARING 6307	
25	A142726800	1	KVERNELAND GROUP CUTTERBAR OIL 5 LTR.	

EXTRA 328F / CUTTERBAR, COMPLETE



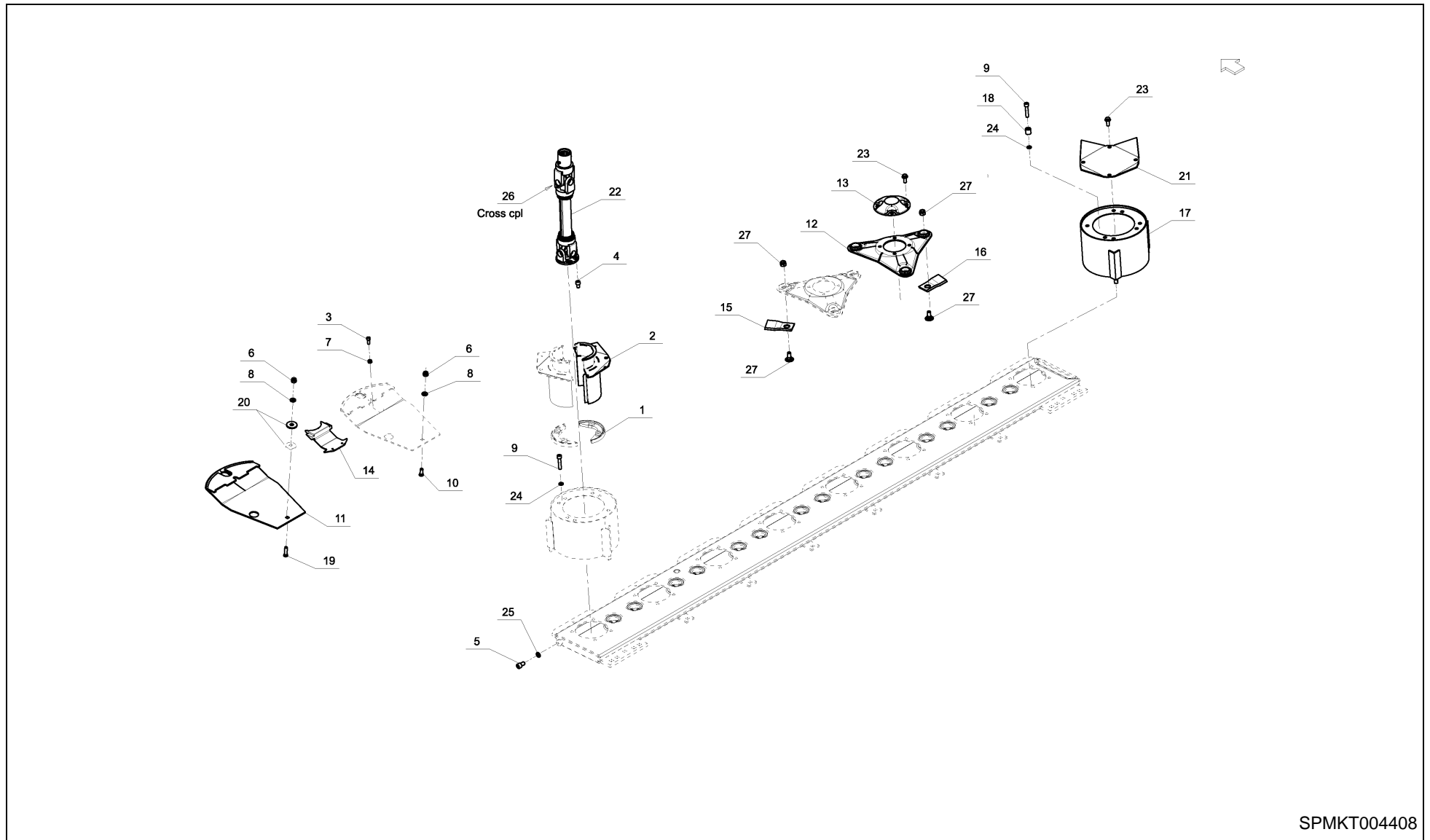
SPMKT006421



EXTRA 328F / CUTTERBAR, COMPLETE

PosNo.	Part No.	Qty.	Description	Remark
1	KT5514600086	1	CUTTERBAR 8 DISC. DIR.	
2	KG00542161	2	CHEESE HEAD SCREW M5X16 8.8	
3	KT5564900061	1	COVER	
4	KT55650000	1	LUG	
5	KT55651000	1	GASKET	
6	KT99458109	1	TUBE PLUG M16X1,5	
7	KT99462633	1	PLUG M16X1,5	
8	KT99462718	2	COPPER SEALING 16 X 22 X 1,5	
9	KT55642100	14	GEAR WHEEL Z=32	
10	KG00476261	14	HEX. SCREW M12X20 8.8	
11	KT55670000	14	WASHER (DISC)	
12	KT55644000	14	JOURNAL	
13	KT55646100	28	NUT	
14	KG01840900	4	HEX. NUT M12 10 4032	
15	KT55766000	4	DISTANCE BUSHING	
16	KT5572910061	16	LOCK PLATE	
17	KG01840800	28	HEX. SCREW M12X35 10.9 4017	
18	KT99420109	36	OIL SEAL Ø10,69X3,53	
19	KT99420286	8	OIL SEAL Ø120,24X3,53	
20	KT55767000	2	LOCK PLATE	
21	KT99302819	4	STEEL BOLT M12X65	
22	KG00595400	4	CHEESE HEAD SCREW M10X16 12.9	
23	A157582500	14	O-RING N70 Ø37,00 X 1,20	
24	KT99420125	14	OIL SEAL Ø34,2X3	
25	A142726800	1	KVERNELAND GROUP CUTTERBAR OIL 5 LTR.	
26	A147378286	1	8-DISC CUTTERBAR DIR 336, COMPLETE	
27	A144144030	7	BEARING HOUSE, DOUBLE ROW BEARING	
28	A144143930	1	BEARING HOUSE, DOUBLE ROW BEARING PTO	
29	KT55706100	1	SET OF BEARING	
30	KT55710200	1	GASKET KIT	
31	A157049730	1	TOOL KIT FOR CUTTERBAR	
32	KT99457134	1	LOCTITE TUBE 5ML	
33	KT99457135	1	LOCTITE TUBE 10 G	
34	A151467230	1	KIT END SEAL CUTTERBAR	

EXTRA 328F / TRANSMISSION, CUTTERBAR



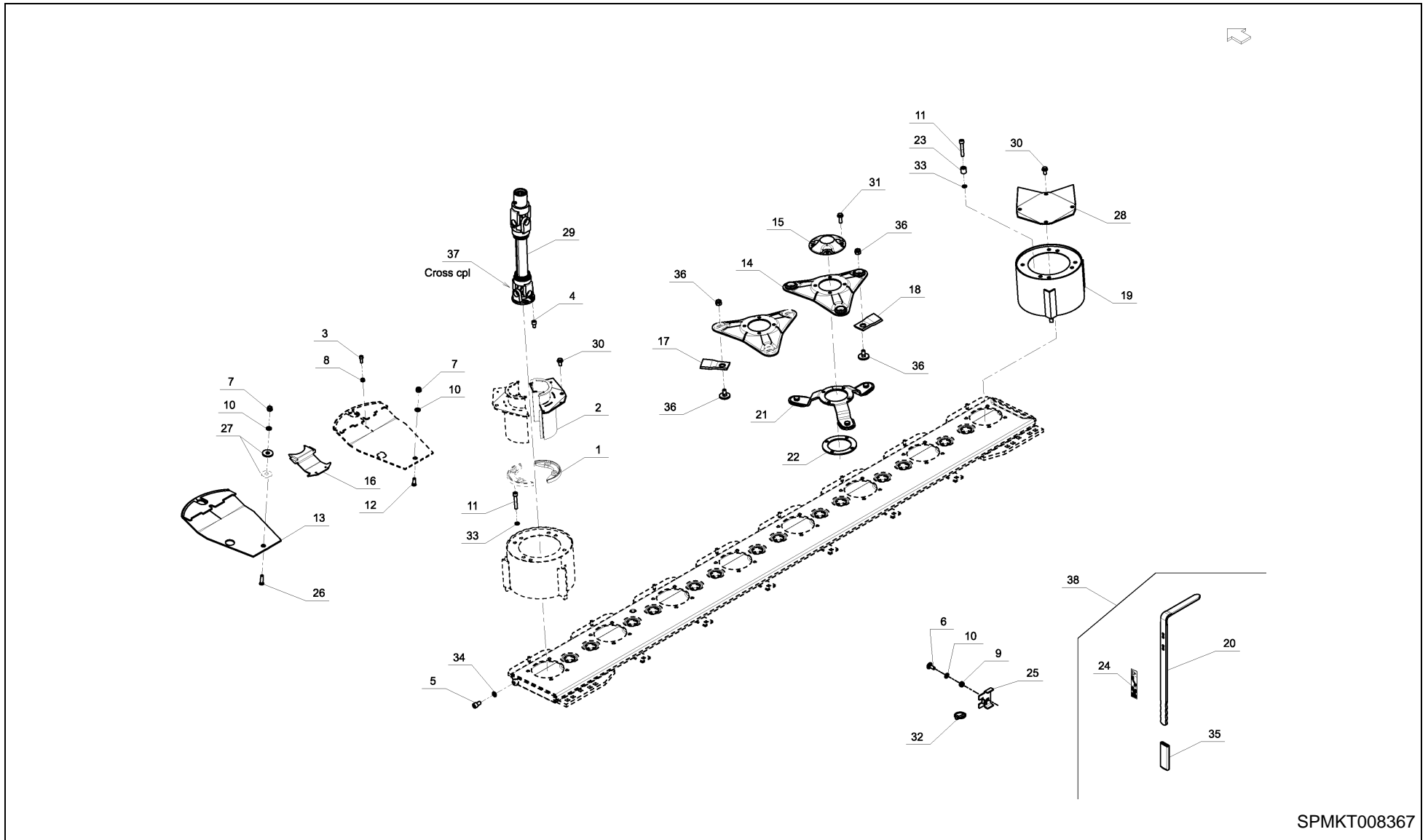
SPMKT004408



EXTRA 328F / TRANSMISSION, CUTTERBAR

PosNo.	Part No.	Qty.	Description	Remark
1	A132446961	2	180DEG. SPACER FOR GUARD	
2	A132464786	2	180DEG. DRUMWING ASSY HIGH CONE	
3	KG00545061	8	CHEESE HEAD SCREW M8X20 8.8	
4	KG00595400	4	CHEESE HEAD SCREW M10X16 12.9	
5	KG00596200	2	CHEESE HEAD SCREW M12X20 12.9	
6	KG01064161	8	LOCK NUT M10 8	
7	KG01067561	8	LOCK NUT M8 8	
8	KG01267461	8	WASHER M10	
9	KG01904300	8	CHEESE HEAD SCREW M10X50 12.9	
10	KT45429000	6	PLOUGH BOLT M10-30	
11	KT5512510086	8	WEARING SOLE	
12	KT5513600094	8	CUTTING DISC	
13	KT5513700086	6	COVER	
14	KT5513810086	7	COUNTER KNIFE	
15	KT5514100001	12	KNIFE, LH (105MM)	
16	KT5514200001	12	KNIFE, RH (105MM)	
17	KT5514810094	2	HIGH CONE AGGRESSIV, TRIANGULAR DISC	
18	KT5539800061	4	BUSHING	
19	KT56149000	2	PLOUGH BOLT M10-40	
20	KT5627100061	4	WASHER Ø13-Ø40X4	
21	A144059586	1	TOP PLATE	
22	KT99244528	1	UNIVERSAL JOINT	
23	KT99308826	32	STEEL BOLT (VERBUS RIBB BOLT) M10X20	
24	KT99333832	8	NORD-LOCK WASHER NL3/8" (10,3 X 16,6)	
25	KT99333833	2	NORD-LOCK WASHER NL12 (13,0X19,5X2,5)	
26	KT99244618	2	CROSS AND BEARING KIT	
27	KT56785000	1	KNIFE BOLT KIT CPL. (25 PCS.)	

EXTRA 328F / TRANSMISSION, CUTTERBAR + EXPRESS



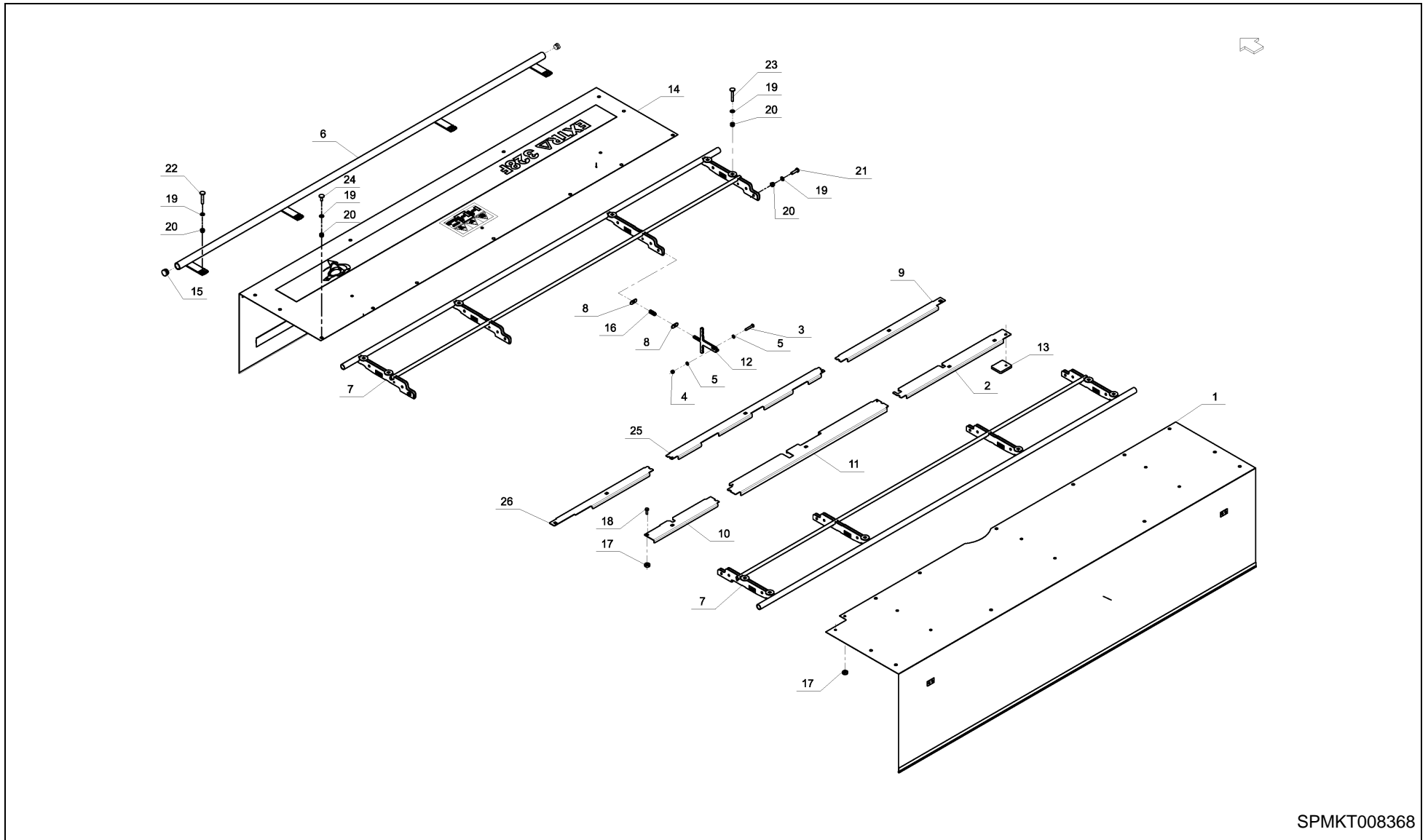
SPMKT008367



EXTRA 328F / TRANSMISSION, CUTTERBAR + EXPRESS

PosNo.	Part No.	Qty.	Description	Remark
1	A132446961	2	180DEG. SPACER FOR GUARD	
2	A132464786	2	180DEG. DRUMWING ASSY HIGH CONE	
3	KG00545061	8	CHEESE HEAD SCREW M8X20 8.8	
4	KG00595400	4	CHEESE HEAD SCREW M10X16 12.9	
5	KG00596200	2	CHEESE HEAD SCREW M12X20 12.9	
6	KG00641461	1	CARRIAGE BOLT M10X25 8.8	
7	KG01064161	8	LOCK NUT M10 8	
8	KG01067561	8	LOCK NUT M8 8	
9	KG01072361	1	LOCK NUT M10 8	
10	KG01267461	8	WASHER M10	
11	KG01904500	8	CHEESE HEAD SCREW M10X60 12.9	
12	KT45429000	6	PLOUGH BOLT M10-30	
13	KT5512510086	8	WEARING SOLE	
14	KT5513600094	8	CUTTING DISC	
15	KT5513700086	6	COVER	
16	KT5513810086	7	COUNTER KNIFE	
17	KT5514100001	12	KNIFE, LH (105MM)	
18	KT5514200001	12	KNIFE, RH (105MM)	
19	KT5514810094	2	HIGH CONE AGGRESSIV, TRIANGULAR DISC	
20	KT5517400061	1	TOOL	
21	KT5518500086	8	EXPRESS SPRING	
22	KT5526900061	8	WASHER 4MM (EXPRESS)	
23	KT5539800061	4	BUSHING	
24	KT55769000	1	DECAL	
25	KT5577300061	1	PARKING BRACKET	
26	KT56149000	2	PLOUGH BOLT M10-40	
27	KT5627100061	4	WASHER Ø13-Ø40X4	
28	A144059586	1	TOP PLATE	
29	KT99244528	1	UNIVERSAL JOINT	
30	KT99308826	8	STEEL BOLT (VERBUS RIBB BOLT) M10X20	
31	KT99308832	24	STEEL BOLT M10X35 10.9(VERBUS RIBB BOLT)	
32	KT99331901	1	LINCH PIN Ø 6	
33	KT99333832	8	NORD-LOCK WASHER NL3/8" (10,3 X 16,6)	
34	KT99333833	2	NORD-LOCK WASHER NL12 (13,0X19,5X2,5)	
35	KT38218000	1	PLASTIC HANDLE	
36	KT56998000	1	KIT OF KNIFE BOLT (25 PCS.)	
37	KT99244618	2	CROSS AND BEARING KIT	
38	KT55177000	1	TOOL COMPLETE	

EXTRA 328F / GUARD



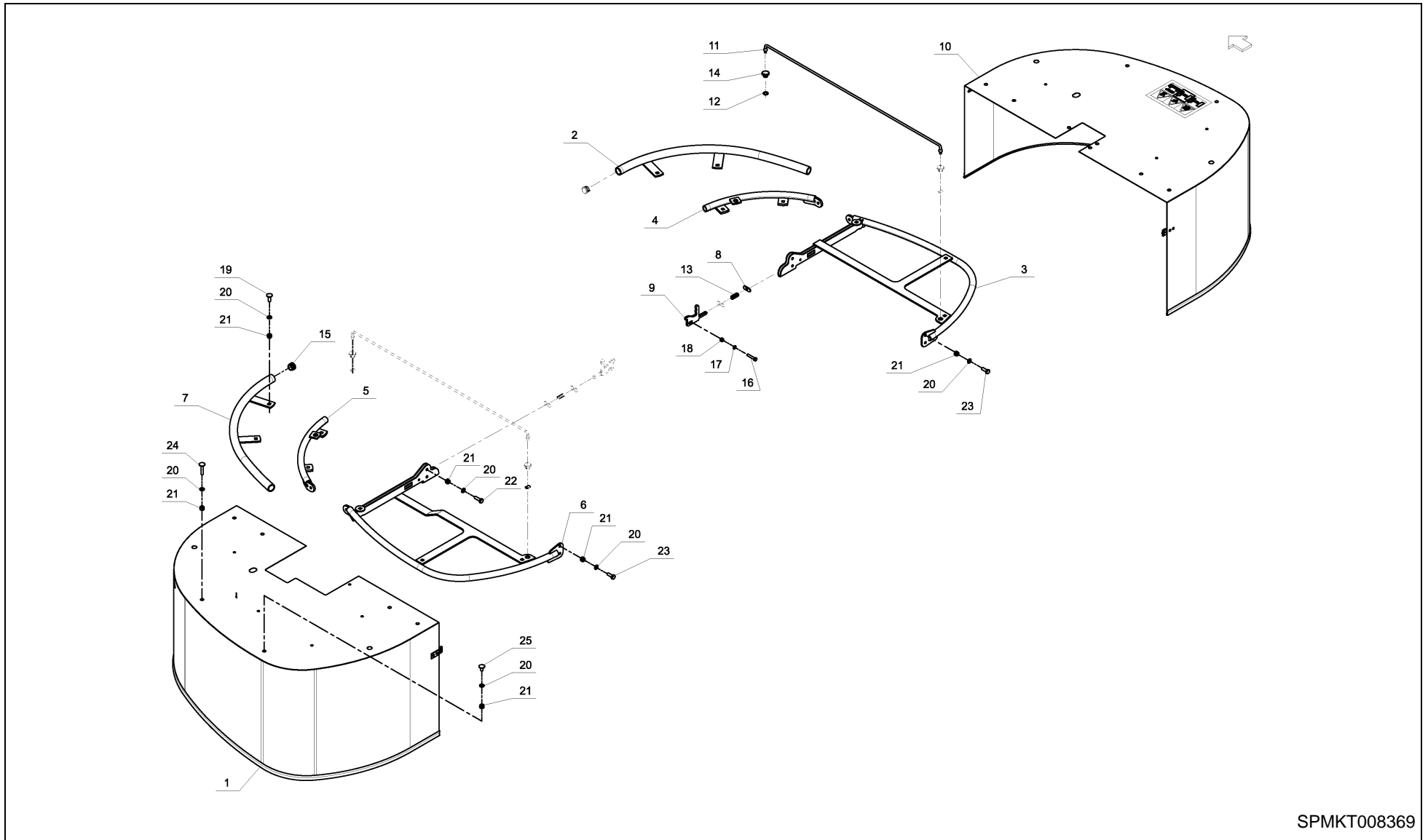
SPMKT008368



EXTRA 328F / GUARD

PosNo.	Part No.	Qty.	Description	Remark
1	KT92998000	1	TARPAULIN, REAR	
2	KT9237700086	1	REAR PLATE, RH.	
3	KG00472561	1	HEX. SCREW M8X45 8.8	
4	KG01064061	1	LOCK NUT M8 8	
5	KG01267361	2	WASHER M8	
6	KT9236800094	1	RAIL, FRONT	
7	KT9236700086	2	FRONT GUARD	
8	KT9217900061	2	PLATE	
9	KT9237400086	1	FRONT PLATE, RH	
10	KT9237500086	1	REAR PLATE, LH.	
11	A132697186	2	REAR PLATE - CENTER	
12	KT9232410061	1	LATCH	
13	KT9266100061	1	SPACER	
14	KT92997000	1	TARPAULIN, FRONT	
15	A132874300	2	PLASTIC PLUG Ø30X1,00-2,00 BLACK	
16	VF06215282	1	COMPRESSION SPRING	
17	KT39688000	2	WASHER	
18	KT99328864	1	TAPTITE GEVINDFORMENDE SKR. 6-KANT M8-25	
19	KG01267461	13	WASHER M10	
20	KG01064161	13	LOCK NUT M10 8	
21	KG00474461	4	HEX. SCREW M10X35 8.8	
22	KG00642161	4	CARRIAGE BOLT M10X60 8.8	
23	KG00642261	4	CARRIAGE BOLT M10X65 8.8	
24	KG00641461	1	CARRIAGE BOLT M10X25 8.8	
25	KT9226300086	1	FRONT PLATE, CENTER	
26	KT9237600086	1	FRONT PLATE, LH	

EXTRA 328F / GUARD



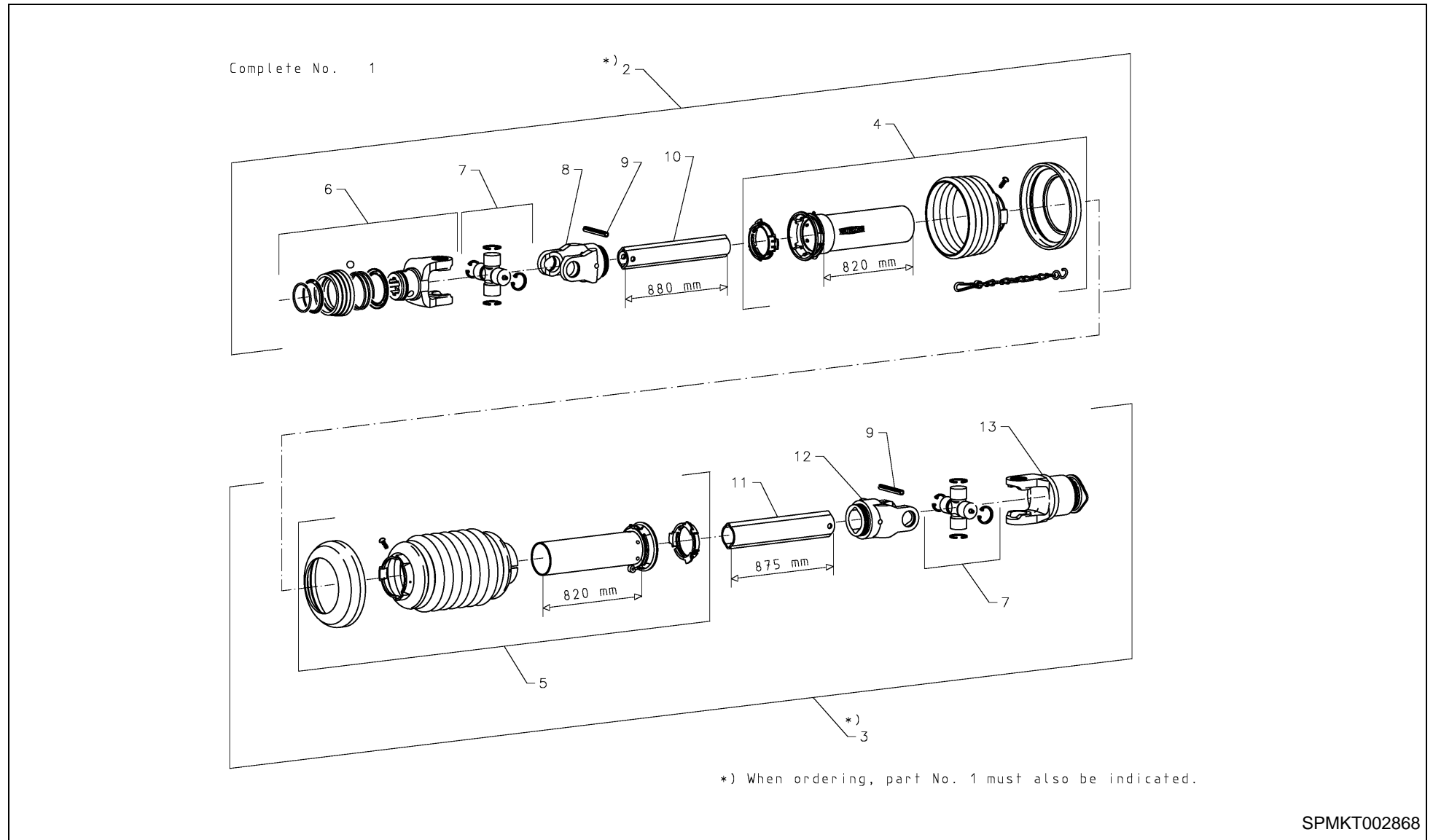
SPMKT008369

EXTRA 328F / GUARD



PosNo.	Part No.	Qty.	Description	Remark
1	KT92449000	1	TARPAULIN SIDE 3XXF INSIDE	
2	KT9215300094	1	HOOP, RH	
3	KT9215410086	1	HOOP REAR, RH	
4	KT9215510086	1	HOOP FRONT, RH	
5	KT9216910086	1	HOOP FRONT, LH	
6	KT9217110086	1	HOOP REAR, LH	
7	KT9217200094	1	HOOP, LH	
8	KT9217900061	4	PLATE	
9	A157651261	2	LOCKING PIN ONE SIDED	
10	KT92450000	1	TARPAULIN SIDE 3XXF OUTSIDE	
11	KT92534000	2	ELASTIC STRAP	
12	VF06214690	4	O-RING 15X 3,0 NBR70	
13	VF06215282	2	COMPRESSION SPRING	
14	VF16622430.61	4	GUIDE EYE	
15	A132874300	5	PLASTIC PLUG Ø30X1,00-2,00 BLACK	
16	KG00472561	2	HEX. SCREW M8X45 8.8	
17	KG01267361	4	WASHER M8	
18	KG01064061	2	LOCK NUT M8 8	
19	KG00641561	4	CARRIAGE BOLT M10X30 8.8	
20	KG01267461	16	WASHER M10	
21	KG01064161	18	LOCK NUT M10 8	
22	KG00474461	4	HEX. SCREW M10X35 8.8	
23	KG00474361	4	HEX. SCREW M10X30 8.8	
24	KG00641961	2	CARRIAGE BOLT M10X50 8.8	
25	A151511461	5	CARRIAGE BOLT M10-20	

EXTRA 328F / PTO SHAFT



SPMKT002868



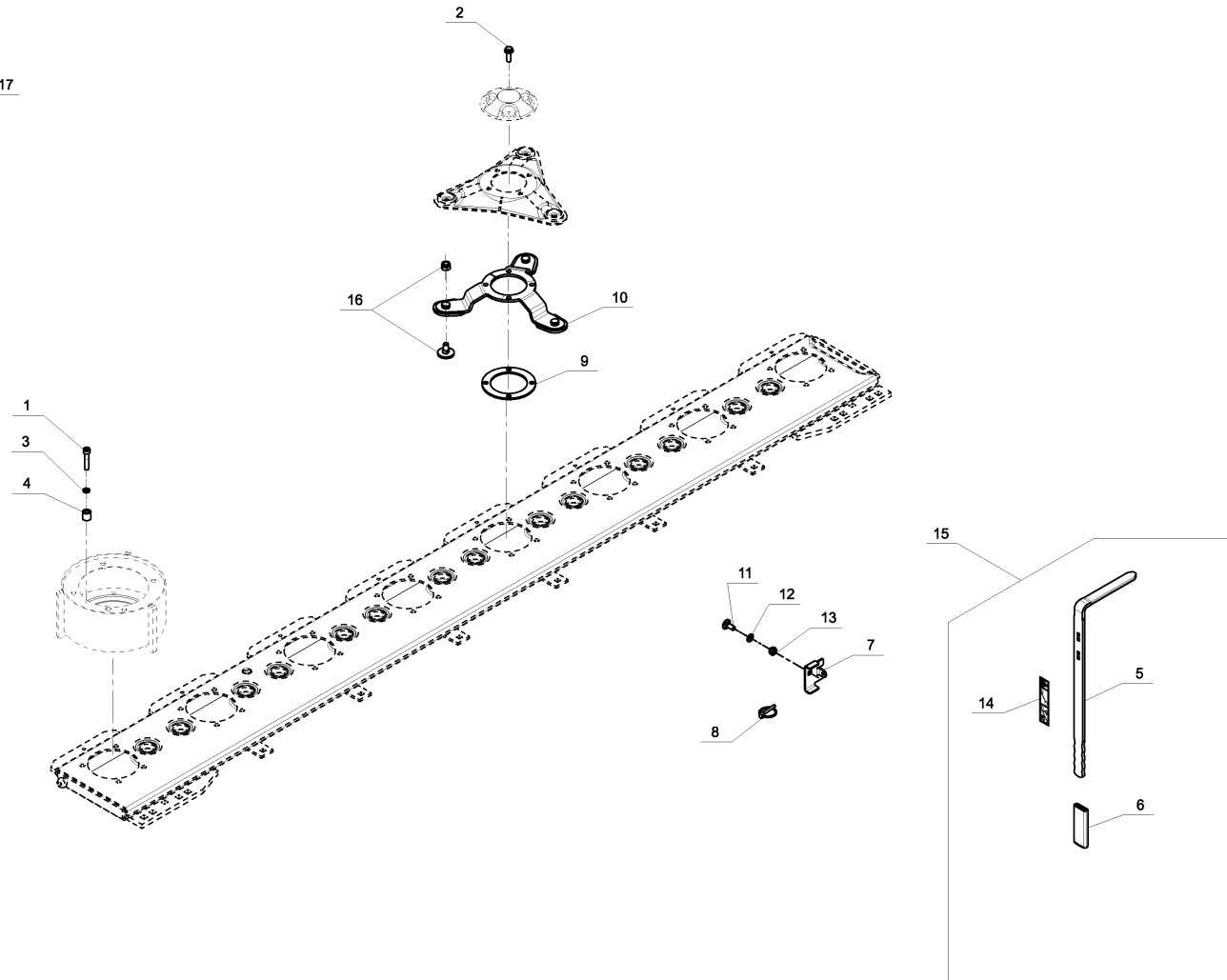
EXTRA 328F / PTO SHAFT

PosNo.	Part No.	Qty.	Description	Remark
1	KT99244331	1	PTO SHAFT W2300, COMPLETE	Walterscheid No. 158945
2	KT99244679	1	INNER PTO SHAFT INCL. PROTECTION TUBE	
3	KT99244680	1	OUTER PTO SHAFT INCL. PROTECTION TUBE	
4	KT99244584	1	OUTER PROTECTION TUBE, COMPLETE	Walterscheid No. 116169
5	KT99244681	1	INNER PROTECTION TUBE, COMPLETE	Walterscheid No. 113041
6	KG02004100	1	YOKE CPL. ASGE2300-1 3/8" (6)	Walterscheid No. 133834
7	KT99244588	2	CROSS, COMPLETE	Walterscheid No. 116403
8	KT99235524	1	YOKE	Walterscheid No. 041315
9	VF01157382	2	ROLL PIN 10X65 EN ISO 8752 ZN.FL.	Walterscheid No. 20164
10	KG02005000	1	PROFILE TUBE 0VGA-1000	Walterscheid No. 135936
11	KG02008300	1	PROFILE TUBE 1G-1000	Walterscheid No. 136155
12	KT99244592	1	YOKE	Walterscheid No. 041318
13	KT99244682	1	OVERRUN CLUTCH	Walterscheid No. 128649

EXTRA 328F / OPTIONAL EQUIPMENT



Complete No. 17



SPMKT008101



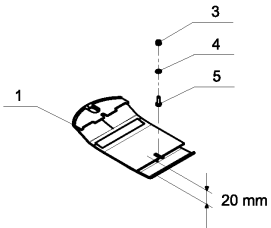
EXTRA 328F / OPTIONAL EQUIPMENT

PosNo.	Part No.	Qty.	Description	Remark
1	KG01904500	4	CHEESE HEAD SCREW M10X60 12.9	
2	KT99308832	32	STEEL BOLT M10X35 10.9(VERBUS RIBB BOLT)	
3	KT99333832	4	NORD-LOCK WASHER NL3/8" (10,3 X 16,6)	
4	KT5539800061	4	BUSHING	
5	KT5517400061	1	TOOL	
6	KT38218000	1	PLASTIC HANDLE	
7	KT5577300061	1	PARKING BRACKET	
8	KT99331901	1	LINCH PIN Ø 6	
9	KT5526900061	8	WASHER 4MM (EXPRESS)	
10	KT5518500086	8	EXPRESS SPRING	
11	KG00641461	1	CARRIAGE BOLT M10X25 8.8	
12	KG01267461	1	WASHER M10	
13	KG01072361	1	LOCK NUT M10 8	
14	KT55769000	1	DECAL	
15	KT55177000	1	TOOL COMPLETE	
16	KT56998000	1	KIT OF KNIFE BOLT (25 PCS.)	
17	ACCESSOIRE	1	PLEASE CONTACT YOUR DEALER	

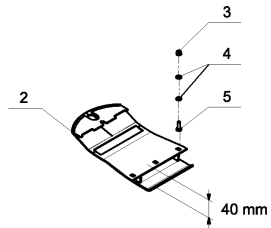
EXTRA 328F / OPTIONAL EQUIPMENT



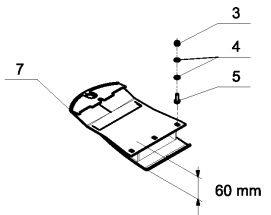
Complete No. 8



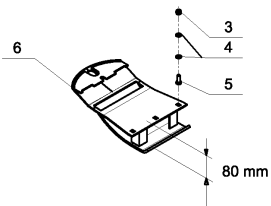
Complete No. 9



Complete No. 10



Complete No. 11



SPMKT005502



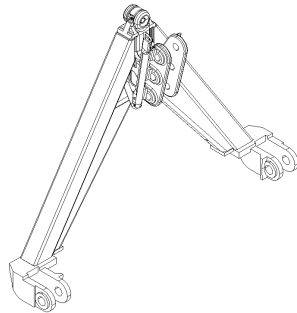
EXTRA 328F / OPTIONAL EQUIPMENT

PosNo.	Part No.	Qty.	Description	Remark
1	KT5535000086	2	HIGH LIFT SKID 20MM	
2	KT5524000086	2	HIGH LIFT SKID 40 MM	
3	KG01064161	4	LOCK NUT M10 8	
4	KG01267461	8	WASHER M10	
5	KG00474361	4	HEX. SCREW M10X30 8.8	
6	KT5515300086	2	HIGH LIFT SKID 80 MM	
7	A144027686	2	HIGH SKID 60 MM	
8	ACCESSOIRE	1	PLEASE CONTACT YOUR DEALER	
9	ACCESSOIRE	1	PLEASE CONTACT YOUR DEALER	
10	ACCESSOIRE	1	PLEASE CONTACT YOUR DEALER	
11	ACCESSOIRE	1	PLEASE CONTACT YOUR DEALER	

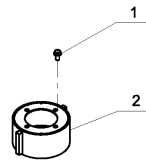
EXTRA 328F / OPTIONAL EQUIPMENT



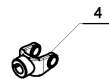
Complete No. 5



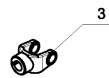
Complete No. 6



PTO - tractor
21 spline W2300



Overrun clutch
1 3/8" 6 spline



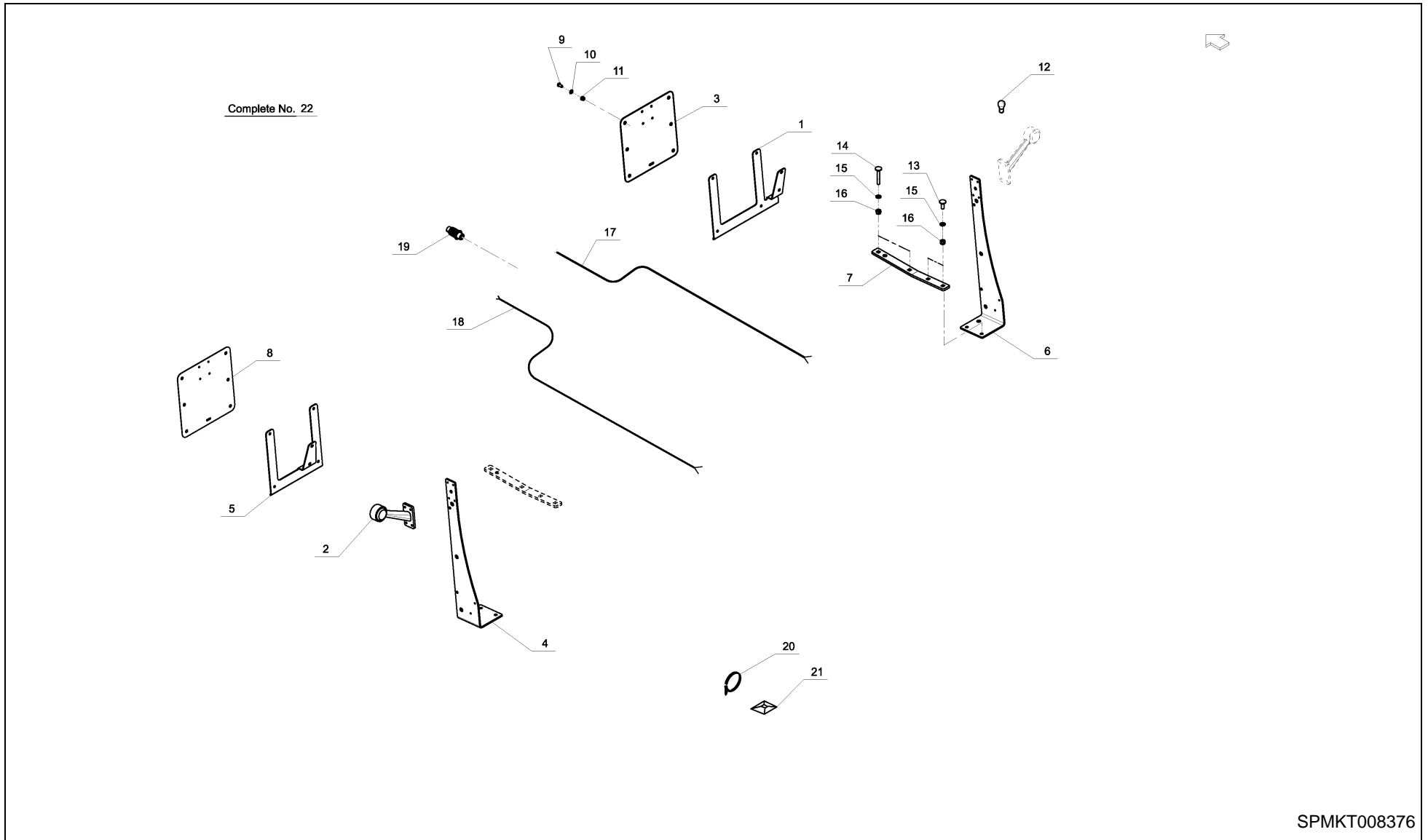
SPMKT008362



EXTRA 328F / OPTIONAL EQUIPMENT

PosNo.	Part No.	Qty.	Description	Remark
1	A151545562	8	STEEL BOLT M10X20 (VERBUS RIBB BOLT)	
2	KT9273500086	2	FLOW DRUM 80MM	
3	ACCESSOIRE	1	PLEASE CONTACT YOUR DEALER	
4	ACCESSOIRE	1	PLEASE CONTACT YOUR DEALER	
5	ACCESSOIRE	1	PLEASE CONTACT YOUR DEALER	
6	ACCESSOIRE	1	PLEASE CONTACT YOUR DEALER	

EXTRA 328F / OPTIONAL EQUIPMENT

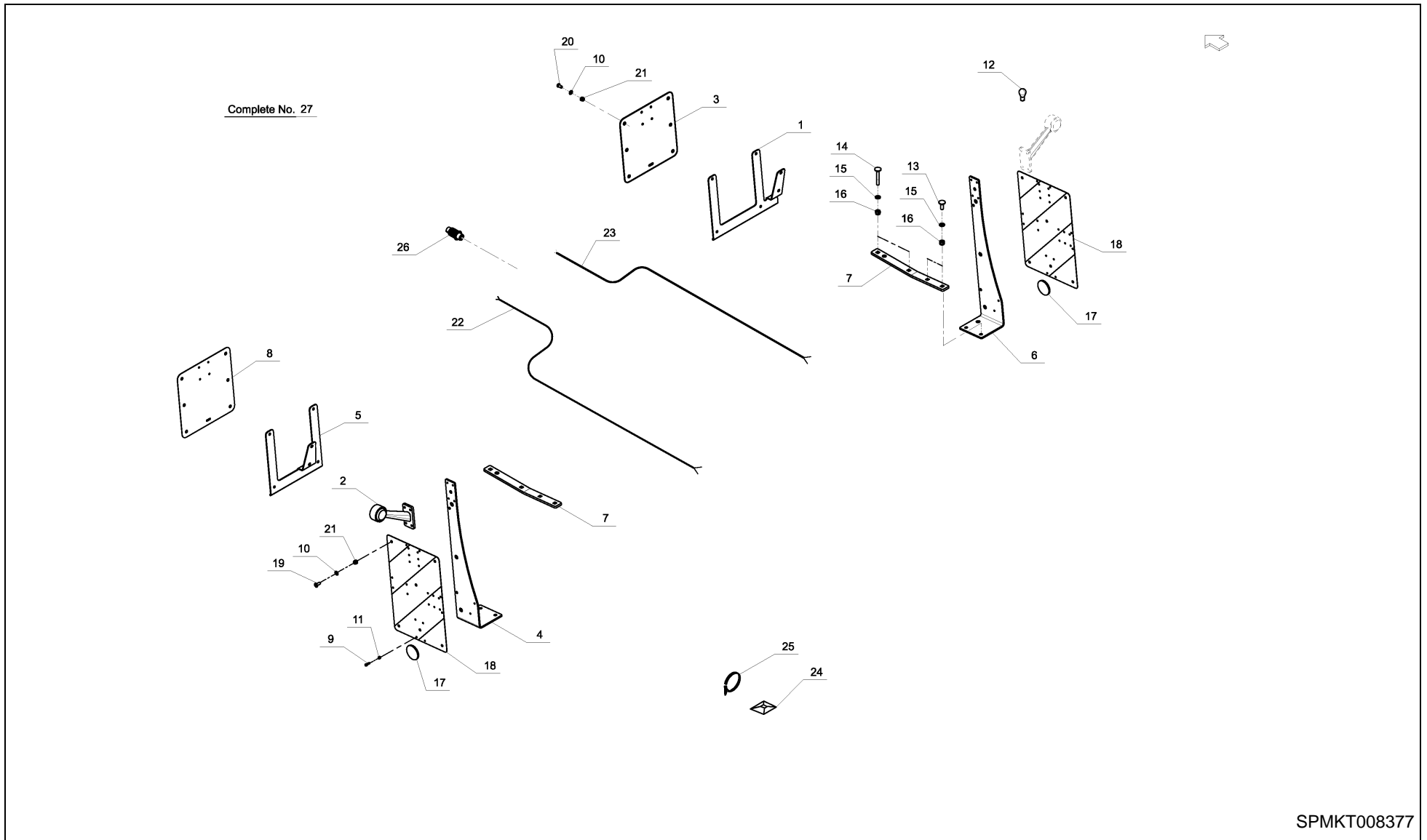




EXTRA 328F / OPTIONAL EQUIPMENT

PosNo.	Part No.	Qty.	Description	Remark
1	KT9270800086	1	BRACKET FRONT, RH	
2	KT99474348	2	SIDE LIGHT RED/WHITE	
3	VF16645752	1	WARNING PLATE 282X282 (LH)	
4	KT9270500086	1	BRACKET, LH	
5	KT9270700086	1	BRACKET FRONT, LH	
6	KT9270600086	1	BRACKET, RH	
7	KT9270900086	2	BRACKET	
8	VF16645753	1	WARNING PLATE 282X282 (RH)	
9	KG00731263	8	CHEESE HEAD SCREW M8X16 10.9	
10	KG01267361	8	WASHER M8	
11	KG01064061	8	LOCK NUT M8 8	
12	KT99477133	2	LIGHTING BULB 12V 5W	
13	KG00641561	4	CARRIAGE BOLT M10X30 8.8	
14	KG00642361	4	CARRIAGE BOLT M10X70 8.8	
15	KG01267461	8	WASHER M10	
16	KG01064161	8	LOCK NUT M10 8	
17	A158326400	1	CABLE RH	
18	A158326500	1	CABLE LH	
19	KT99478196	1	7 PIN PLUG	
20	VF06216479	26	CABLE TIE 150X3,6 SW SNX 2-35	
21	KT99478395	13	PLATE	
22	ACCESSOIRE	1	PLEASE CONTACT YOUR DEALER	

EXTRA 328F / OPTIONAL EQUIPMENT



SPMKT008377



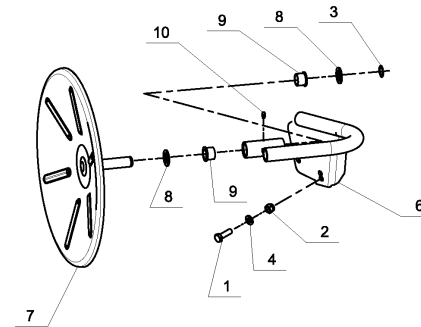
EXTRA 328F / OPTIONAL EQUIPMENT

PosNo.	Part No.	Qty.	Description	Remark
1	KT9270800086	1	BRACKET FRONT, RH	
2	KT99474348	2	SIDE LIGHT RED/WHITE	
3	VF16645752	1	WARNING PLATE 282X282 (LH)	
4	KT9270500086	1	BRACKET, LH	
5	KT9270700086	1	BRACKET FRONT, LH	
6	KT9270600086	1	BRACKET, RH	
7	KT9270900086	2	BRACKET	
8	VF16645753	1	WARNING PLATE 282X282 (RH)	
9	KG00542161	2	CHEESE HEAD SCREW M5X16 8.8	
10	KG01267361	12	WASHER M8	
11	KG01063861	2	LOCK NUT M5 8	
12	KT99477133	2	LIGHTING BULB 12V 5W	
13	KG00641561	4	CARRIAGE BOLT M10X30 8.8	
14	KG00642361	4	CARRIAGE BOLT M10X70 8.8	
15	KG01267461	8	WASHER M10	
16	KG01064161	8	LOCK NUT M10 8	
17	VF06214037	2	REFLEX, CIRCULAR YELLOW, ADHESIVE D60	
18	KT99458381	2	RED/WHITE WARNING 423X282	
19	VF01142565	4	TRUSS-HEAD SCR. M8X20 109 GALV.	
20	KG00731263	8	CHEESE HEAD SCREW M8X16 10.9	
21	KG01064061	12	LOCK NUT M8 8	
22	A158326500	1	CABLE LH	
23	A158326400	1	CABLE RH	
24	KT99478395	13	PLATE	
25	VF06216479	26	CABLE TIE 150X3,6 SW SNX 2-35	
26	KT99478196	1	7 PIN PLUG	
27	ACCESSOIRE	1	PLEASE CONTACT YOUR DEALER	

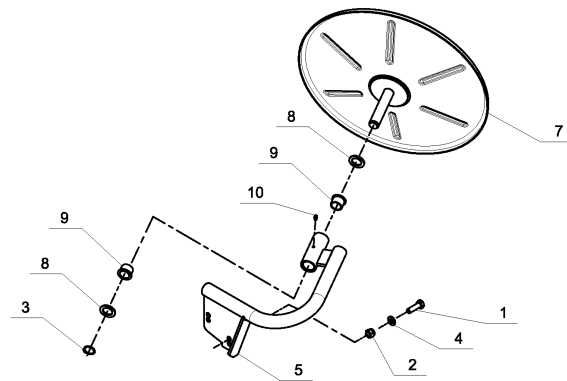
EXTRA 328F / OPTIONAL EQUIPMENT



Complete No. 11
Right side



Complete No. 12
Left side



SPMKT005262



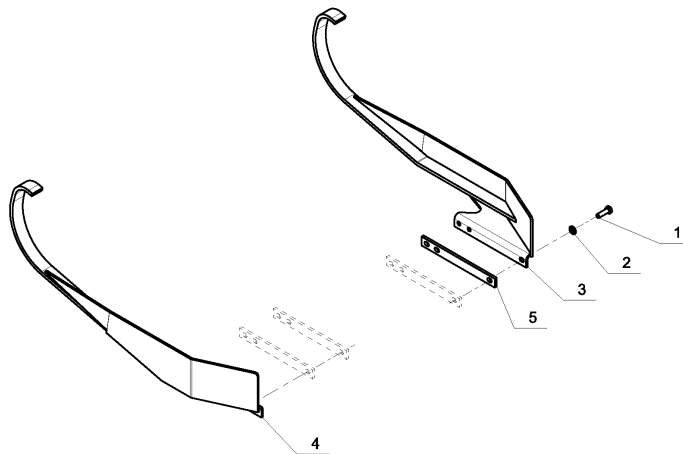
EXTRA 328F / OPTIONAL EQUIPMENT

PosNo.	Part No.	Qty.	Description	Remark
1	KG00476761	4	HEX. SCREW M12X40 8.8	
2	KG01064261	4	LOCK NUT M12 8	
3	KG01108362	2	CIRCLIP-A 25 X 1.2	
4	KG01267561	4	WASHER M12	
5	KT1943810086	1	ARM, LH	
6	KT1943910086	1	ARM, RH	
7	KT1946000086	2	SWATH ROLLER Ø500MM	
8	KT4540500061	4	WASHER	
9	KT99155025	4	NYLON BUSHING	
10	KT99417025	2	GREASE NIPPLE M6 TYPE I DS 6004	
11	ACCESSOIRE	1	PLEASE CONTACT YOUR DEALER	
12	ACCESSOIRE	1	PLEASE CONTACT YOUR DEALER	

EXTRA 328F / OPTIONAL EQUIPMENT



Complete No. 6



SPMKT004257



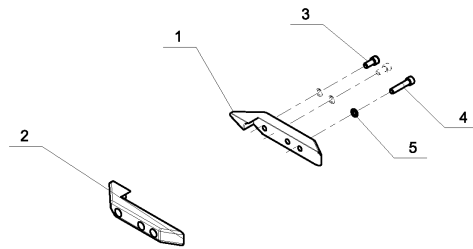
EXTRA 328F / OPTIONAL EQUIPMENT

PosNo.	Part No.	Qty.	Description	Remark
1	KG00476761	6	HEX. SCREW M12X40 8.8	
2	KG01267561	6	WASHER M12	
3	KT3847820086	1	STRAW DIVIDER, RH	
4	KT3847920086	1	STRAW DIVIDER, LH	
5	KT6985700061	4	PLATE	
6	ACCESSOIRE	1	PLEASE CONTACT YOUR DEALER	

EXTRA 328F / OPTIONAL EQUIPMENT



Complete No. 6



SPMKT004890



EXTRA 328F / OPTIONAL EQUIPMENT

PosNo.	Part No.	Qty.	Description	Remark
1	A132614661	1	PROTECTION RH	
2	A132633361	1	PROTECTION LH	
3	KG00596300	4	CHEESE HEAD SCREW M12X25 12.9	
4	KG00596700	2	CHEESE HEAD SCREW M12X55 12.9 DIN 912	
5	KT99333833	6	NORD-LOCK WASHER NL12 (13,0X19,5X2,5)	
6	ACCESSOIRE	1	PLEASE CONTACT YOUR DEALER	

EXTRA 328F / Part No Index



Part No.	Page	Pos No	Part No.	Page	Pos No	Part No.	Page	Pos No	Part No.	Page	Pos No
A100026862	5	4	A151467230	7	34	KG00471461	5	32	KG00596700	20	4
A100026862	6	5	A151511461	3	14	KG00472261	4	2	KG00639061	3	3
A100031462	1	34	A151511461	11	25	KG00472561	10	3	KG00639161	3	4
A132042561	5	25	A151545562	15	1	KG00472561	11	16	KG00641461	3	5
A132060761	5	15	A151853694	3	21	KG00474261	6	4	KG00641461	9	6
A132116886	5	26	A151862694	3	19	KG00474361	2	17	KG00641461	10	24
A132446961	8	1	A151985900	5	35	KG00474361	3	2	KG00641461	13	11
A132446961	9	1	A157049730	7	31	KG00474361	4	14	KG00641561	11	19
A132464786	8	2	A157582500	7	23	KG00474361	11	23	KG00641561	16	13
A132464786	9	2	A157651261	11	9	KG00474361	14	5	KG00641561	17	13
A132520561	5	33	A158326400	16	17	KG00474461	1	6	KG00641961	11	24
A132520661	5	14	A158326400	17	23	KG00474461	5	24	KG00642161	10	22
A132520761	5	34	A158326500	16	18	KG00474461	10	21	KG00642261	10	23
A132520861	5	6	A158326500	17	22	KG00474461	11	22	KG00642361	16	14
A132582786	1	3	ACCESSOIRE	13	17	KG00476261	7	10	KG00642361	17	14
A132582886	1	4	ACCESSOIRE	14	10	KG00476561	5	17	KG00731263	3	6
A132614661	20	1	ACCESSOIRE	14	11	KG00476561	6	21	KG00731263	16	9
A132633361	20	2	ACCESSOIRE	14	8	KG00476761	4	18	KG00731263	17	20
A132697186	10	11	ACCESSOIRE	14	9	KG00476761	18	1	KG00732363	3	7
A132712361	4	6	ACCESSOIRE	15	3	KG00476761	19	1	KG00932400	5	36
A132863094	3	1	ACCESSOIRE	15	4	KG00479961	5	1	KG01051961	4	1
A132874300	10	15	ACCESSOIRE	15	5	KG00480061	5	29	KG01052061	1	8
A132874300	11	15	ACCESSOIRE	15	6	KG00542161	7	2	KG01052161	4	12
A132877061	1	27	ACCESSOIRE	16	22	KG00542161	17	9	KG01052661	1	7
A132877561	1	29	ACCESSOIRE	17	27	KG00543461	2	20	KG01061261	3	8
A142726800	6	25	ACCESSOIRE	18	11	KG00545061	8	3	KG01063861	17	11
A142726800	7	25	ACCESSOIRE	18	12	KG00545061	9	3	KG01064061	3	9
A144027686	14	7	ACCESSOIRE	19	6	KG00595400	7	22	KG01064061	10	4
A144059586	8	21	ACCESSOIRE	20	6	KG00595400	8	4	KG01064061	11	18
A144059586	9	28	KG00355261	4	17	KG00595400	9	4	KG01064061	16	11
A144143930	7	28	KG00355361	5	27	KG00596200	8	5	KG01064061	17	21
A144144030	7	27	KG00356061	1	5	KG00596200	9	5	KG01064161	1	32
A147378286	7	26	KG00357461	4	21	KG00596300	20	3	KG01064161	2	16

EXTRA 328F / Part No Index



Part No.	Page	Pos No	Part No.	Page	Pos No	Part No.	Page	Pos No	Part No.	Page	Pos No
KG01064161	3	10	KG01267461	3	13	KT3130700061	5	19	KT5518500086	9	21
KG01064161	4	16	KG01267461	4	15	KT33412200	2	1	KT5518500086	13	10
KG01064161	5	22	KG01267461	5	23	KT38218000	9	35	KT5524000086	14	2
KG01064161	8	6	KG01267461	8	8	KT38218000	13	6	KT5526900061	9	22
KG01064161	9	7	KG01267461	9	10	KT3847820086	19	3	KT5526900061	13	9
KG01064161	10	20	KG01267461	10	19	KT3847920086	19	4	KT5535000086	14	1
KG01064161	11	21	KG01267461	11	20	KT39688000	5	7	KT5539800061	8	18
KG01064161	14	3	KG01267461	13	12	KT39688000	10	17	KT5539800061	9	23
KG01064161	16	16	KG01267461	14	4	KT42176000	1	25	KT5539800061	13	4
KG01064161	17	16	KG01267461	16	15	KT4540500061	18	8	KT55642100	7	9
KG01064261	2	14	KG01267461	17	15	KT45429000	8	10	KT55644000	7	12
KG01064261	4	20	KG01267561	2	13	KT45429000	9	12	KT55646100	7	13
KG01064261	18	2	KG01267561	4	19	KT4543100061	4	10	KT5564900061	7	3
KG01067361	3	11	KG01267561	18	4	KT5512510086	8	11	KT55650000	7	4
KG01067561	8	7	KG01267561	19	2	KT5512510086	9	13	KT55651000	7	5
KG01067561	9	8	KG01401300	6	24	KT5513600094	8	12	KT55670000	5	18
KG01072361	9	9	KG01477900	5	11	KT5513600094	9	14	KT55670000	7	11
KG01072361	13	13	KG01799800	6	7	KT5513700086	8	13	KT55706100	7	29
KG01099362	6	17	KG01840800	7	17	KT5513700086	9	15	KT55710200	7	30
KG01108362	18	3	KG01840900	7	14	KT5513810086	8	14	KT5572910061	7	16
KG01128762	2	29	KG01904300	8	9	KT5513810086	9	16	KT55766000	7	15
KG01128762	5	16	KG01904500	9	11	KT5514100001	8	15	KT55767000	7	20
KG01191762	2	19	KG01904500	13	1	KT5514100001	9	17	KT55769000	9	24
KG01192062	2	18	KG02004100	12	6	KT5514200001	8	16	KT55769000	13	14
KG01260361	5	28	KG02005000	12	10	KT5514200001	9	18	KT5577300061	9	25
KG01267361	3	12	KG02008300	12	11	KT5514600086	7	1	KT5577300061	13	7
KG01267361	5	31	KT18339000	5	20	KT5514810094	8	17	KT56149000	8	19
KG01267361	10	5	KT1943810086	18	5	KT5514810094	9	19	KT56149000	9	26
KG01267361	11	17	KT1943910086	18	6	KT5515300086	14	6	KT5627100061	8	20
KG01267361	16	10	KT1946000086	18	7	KT5517400061	9	20	KT5627100061	9	27
KG01267361	17	10	KT1955300086	4	8	KT5517400061	13	5	KT56785000	8	27
KG01267461	1	10	KT2424200061	2	28	KT55177000	9	38	KT56998000	9	36
KG01267461	2	15	KT3130700061	2	8	KT55177000	13	15	KT56998000	13	16

EXTRA 328F / Part No Index



Part No.	Page	Pos No	Part No.	Page	Pos No	Part No.	Page	Pos No	Part No.	Page	Pos No
KT5882400061	1	12	KT9213700094	3	18	KT9249400061	1	28	KT99244618	9	37
KT60149000	2	24	KT9215300094	11	2	KT9249510086	4	5	KT99244679	12	2
KT60245000	2	23	KT9215410086	11	3	KT9249610086	4	13	KT99244680	12	3
KT63438000	1	11	KT9215510086	11	4	KT92534000	11	11	KT99244681	12	5
KT6755820061	1	30	KT9215610086	4	9	KT9266100061	10	13	KT99244682	12	13
KT68312000	1	13	KT9215710086	4	3	KT9270500086	16	4	KT99250556	6	6
KT6985700061	19	5	KT9216010094	3	22	KT9270500086	17	4	KT99250583	6	8
KT70122000	1	14	KT9216520086	3	24	KT9270600086	16	6	KT99250806	6	1
KT9051410061	1	15	KT9216600063	5	10	KT9270600086	17	6	KT99250946	6	15
KT90757000	3	25	KT9216800086	5	3	KT9270700086	16	5	KT99250982	6	13
KT9089800061	1	26	KT9216910086	11	5	KT9270700086	17	5	KT99250989	6	22
KT91471000	5	13	KT9217110086	11	6	KT9270800086	16	1	KT99251267	6	11
KT9148500061	2	10	KT9217200094	11	7	KT9270800086	17	1	KT99251290	6	2
KT9199900086	2	2	KT9217900061	10	8	KT9270900086	16	7	KT99251294	6	19
KT9210200086	1	16	KT9217900061	11	8	KT9270900086	17	7	KT99251295	6	20
KT92106000	5	5	KT9218700086	4	4	KT9273500086	15	2	KT99251297	6	14
KT9210700086	2	5	KT92221000	2	22	KT92910000	6	9	KT99251298	6	23
KT9211310061	2	9	KT9226300086	10	25	KT92997000	10	14	KT99251332	6	3
KT9211400063	2	6	KT9232410061	10	12	KT92998000	10	1	KT99251336	6	18
KT9211500061	2	4	KT9236600086	4	22	KT99106225	6	16	KT99251340	6	12
KT9211700061	1	17	KT9236700086	10	7	KT99155025	18	9	KT99302819	7	21
KT9211800061	1	18	KT9236800094	10	6	KT99158088	1	22	KT99307973	1	9
KT9211910086	1	19	KT9237100094	3	23	KT99160045	2	30	KT99308826	8	23
KT9212010086	1	20	KT9237300094	3	20	KT99160045	5	8	KT99308826	9	30
KT9212100063	1	1	KT9237400086	10	9	KT99202445	5	12	KT99308832	9	31
KT9212200063	1	2	KT9237500086	10	10	KT99235524	12	8	KT99308832	13	2
KT9212300061	2	3	KT9237600086	10	26	KT99244331	12	1	KT99316108	3	26
KT9212400061	2	7	KT9237700086	10	2	KT99244528	8	22	KT99328864	10	18
KT9212800086	1	21	KT92378000	1	35	KT99244528	9	29	KT99328865	3	27
KT92131000	5	9	KT9237900061	5	37	KT99244584	12	4	KT99331901	3	28
KT9213200061	3	15	KT92449000	11	1	KT99244588	12	7	KT99331901	9	32
KT9213500094	3	16	KT92450000	11	10	KT99244592	12	12	KT99331901	13	8
KT9213600094	3	17	KT9249300061	1	31	KT99244618	8	26	KT99333100	3	29



EXTRA 328F / Part No Index

Part No.	Page	Pos No	Part No.	Page	Pos No
KT99333832	8	24	KT99478196	16	19
KT99333832	9	33	KT99478196	17	26
KT99333832	13	3	KT99478395	16	21
KT99333833	4	11	KT99478395	17	24
KT99333833	8	25	VF01142565	17	19
KT99333833	9	34	VF01157382	12	9
KT99333833	20	5	VF06214037	17	17
KT99333835	5	2	VF06214313	2	21
KT99352040	5	21	VF06214690	11	12
KT99354142	6	10	VF06215282	10	16
KT99402350	2	26	VF06215282	11	13
KT99407085	2	27	VF06216479	16	20
KT99408952	2	11	VF06216479	17	25
KT99413223	2	31	VF16622430.61	11	14
KT99417025	2	12	VF16624749.97	5	30
KT99417025	18	10	VF16645752	16	3
KT99417027	1	33	VF16645752	17	3
KT99420109	7	18	VF16645753	16	8
KT99420125	7	24	VF16645753	17	8
KT99420286	7	19	VF16660164	3	30
KT99428518	2	25	VNB1326493	1	24
KT99450758	1	23			
KT99457134	7	32			
KT99457135	7	33			
KT99458109	7	6			
KT99458381	17	18			
KT99458590	4	7			
KT99462633	7	7			
KT99462718	7	8			
KT99474348	16	2			
KT99474348	17	2			
KT99477133	16	12			
KT99477133	17	12			



EXTRA 328F

KT509577 < Mach. ID <=

Kverneland Group Kerteminde AS
Taarupstrandvej 25
DK-5300 Kerteminde
Denmark
+45 65 19 19 00
+45 65 19 19 99

© Kverneland Group

All rights reserved. No parts of this book may be reproduced, stored in a database or retrieval system, or published in any form or in any way, electronically, mechanically, optically, by print, photo print, microfilm (including micro and macro fiche), or any other means, including all video and CD systems, without prior written permission from the publisher.

Print date: 2022-12-19

