

EXTRA 324F ALPIN

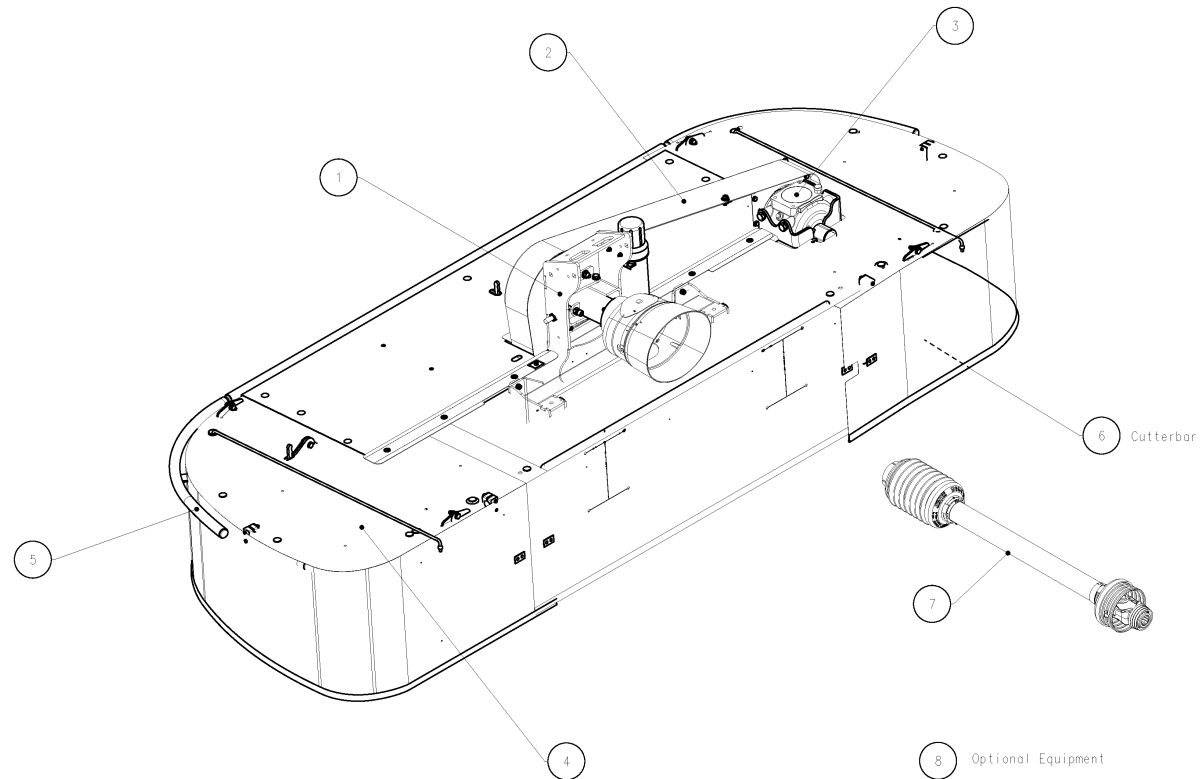
Spare Parts Manual

Article number: A157725140_02-2022-02
Language: EN
Production year (from): 2022
Prod. Series nr (from):
KT507027 < Mach. ID <=

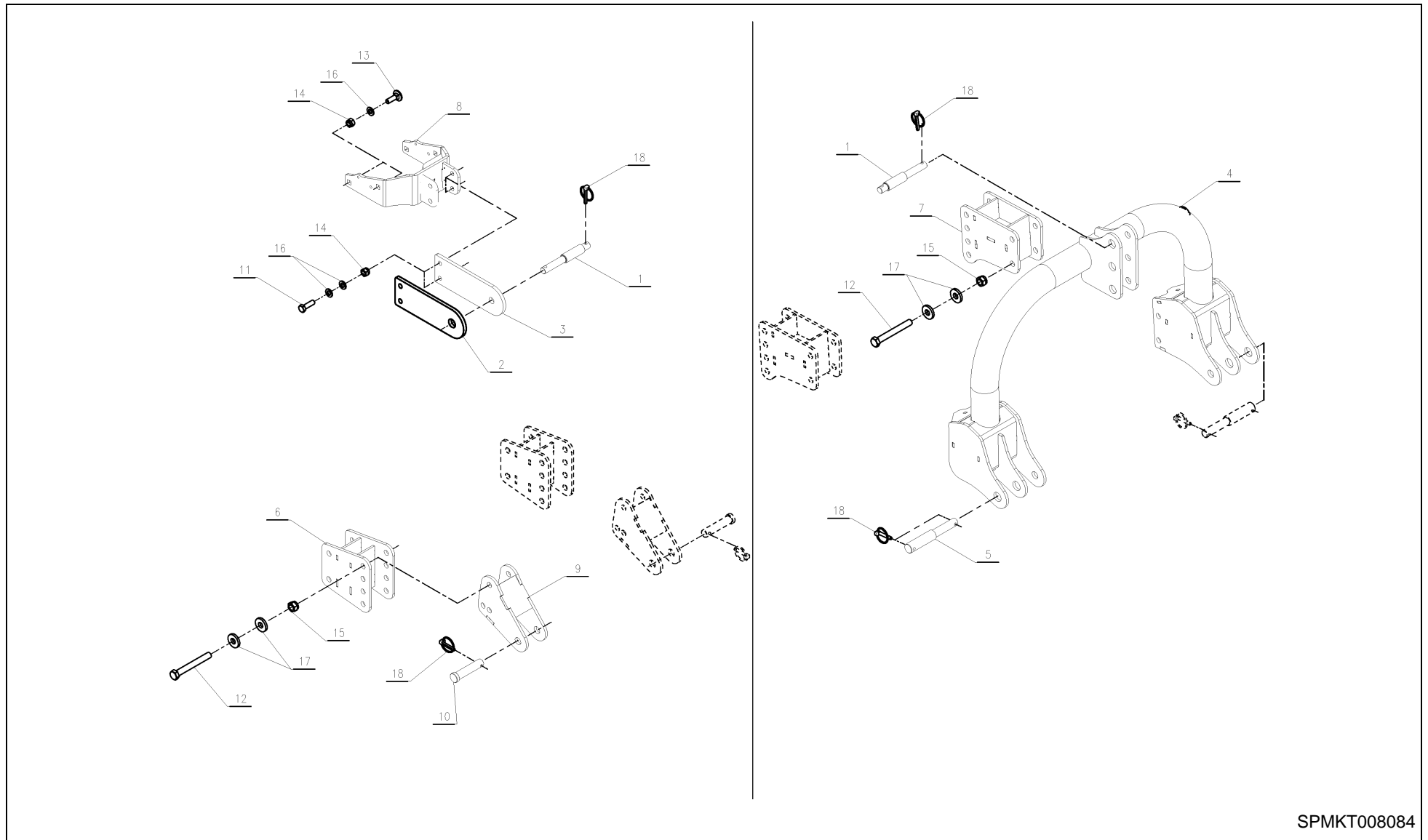


EXTRA 324F ALPIN / Table of Contents

PosNo.	Assembly group	Page
1	LINKAGE	1
1	LINKAGE	2
1	MAIN FRAME, TRANSMISSION	3
2	TRANSMISSION	4
2	GUARD, TRANSMISSION	5
3	MAIN GEAR BOX, COMPLETE	6
4	TARPAULIN	13
5	GUARD	10
5	GUARD, LH	11
5	GUARD, RH	12
6	CUTTERBAR, COMPLETE	7
6	TRANSMISSION, CUTTERBAR	8
6	TRANSMISSION, CUTTERBAR + EXPRESS	9
7	PTO SHAFT	14
7	PTO SHAFT	15
8	OPTIONAL EQUIPMENT	16
8	OPTIONAL EQUIPMENT	17
8	OPTIONAL EQUIPMENT	18
8	OPTIONAL EQUIPMENT	19
8	OPTIONAL EQUIPMENT	20
8	OPTIONAL EQUIPMENT	21
8	OPTIONAL EQUIPMENT	22
8	OPTIONAL EQUIPMENT	23



EXTRA 324F ALPIN / LINKAGE



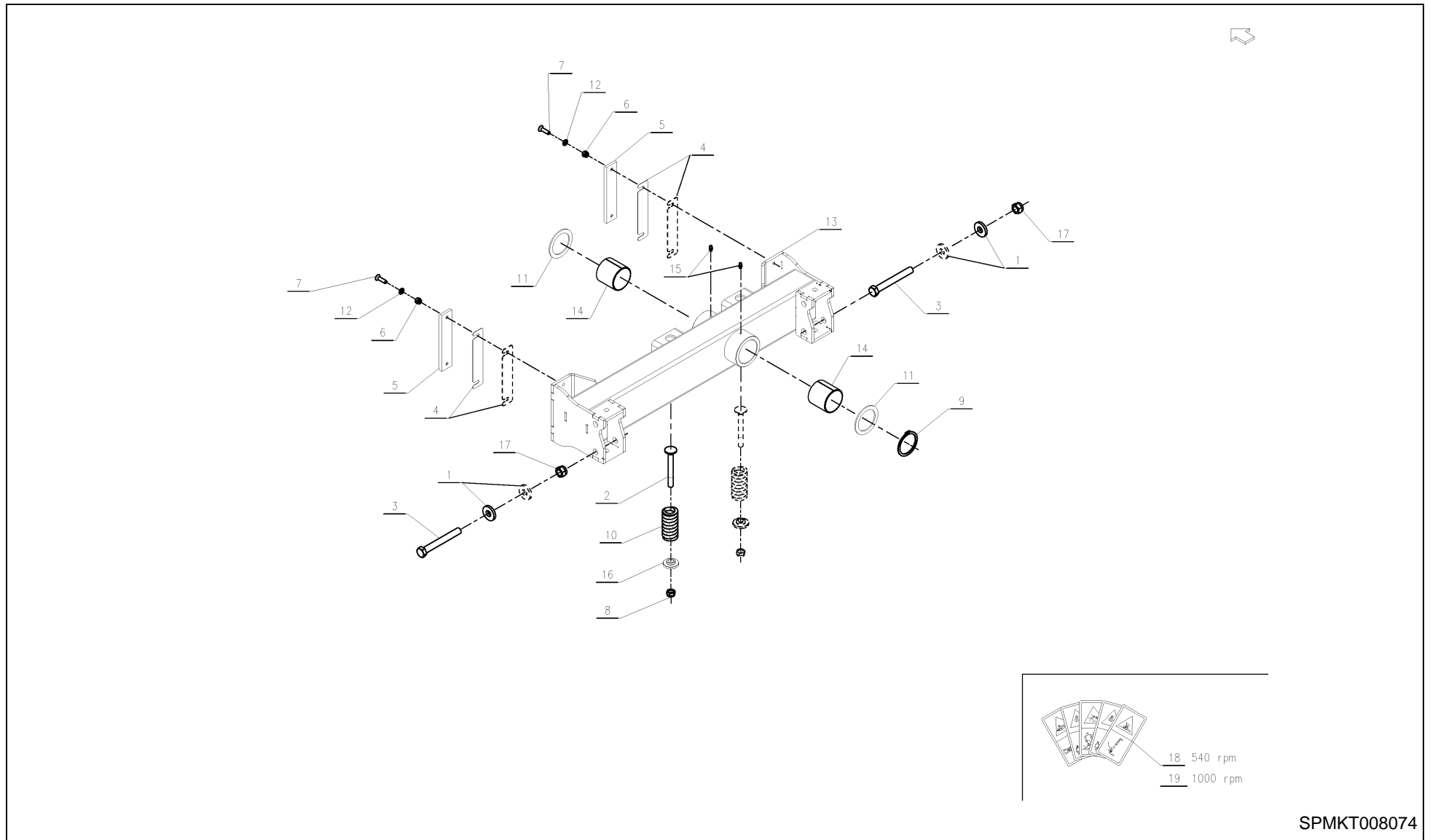
SPMKT008084



EXTRA 324F ALPIN / LINKAGE

PosNo.	Part No.	Qty.	Description	Remark
1	A151823361	1	TOP LINKAGE CAT I/II PIN	
2	A157672486	1	LH TOP LINK PLATE EXTENDED	
3	A157672586	1	RH TOP LINK PLATE EXTENDED	
4	A158309386	1	CONNECTION FRAME	
5	A158330361	2	CAT. I & II PIN	
6	A158357086	2	ADAPTER SHORT	
7	A158357186	2	ADAPTER LONG	
8	A158430386	1	ADAPTER BRACKET	
9	A158577886	2	HITCH BRACKET	
10	A158580261	2	CAT. 1 PIN	
11	KG00476761	4	HEX. SCREW M12X40 8.8	
12	KG00481561	4	HEX. SCREW M16X130 8.8	
13	KG00645061	4	CARRIAGE BOLT M12X40 8.8 VZ. DIN603	
14	KG01064261	8	LOCK NUT M12 8	
15	KG01067961	4	LOCK NUT M16 8	
16	KG01267561	12	WASHER M12	
17	KG01273961	8	WASHER DIN7349 M16 A3C	
18	KT99331903	3	SPLIT	

EXTRA 324F ALPIN / LINKAGE

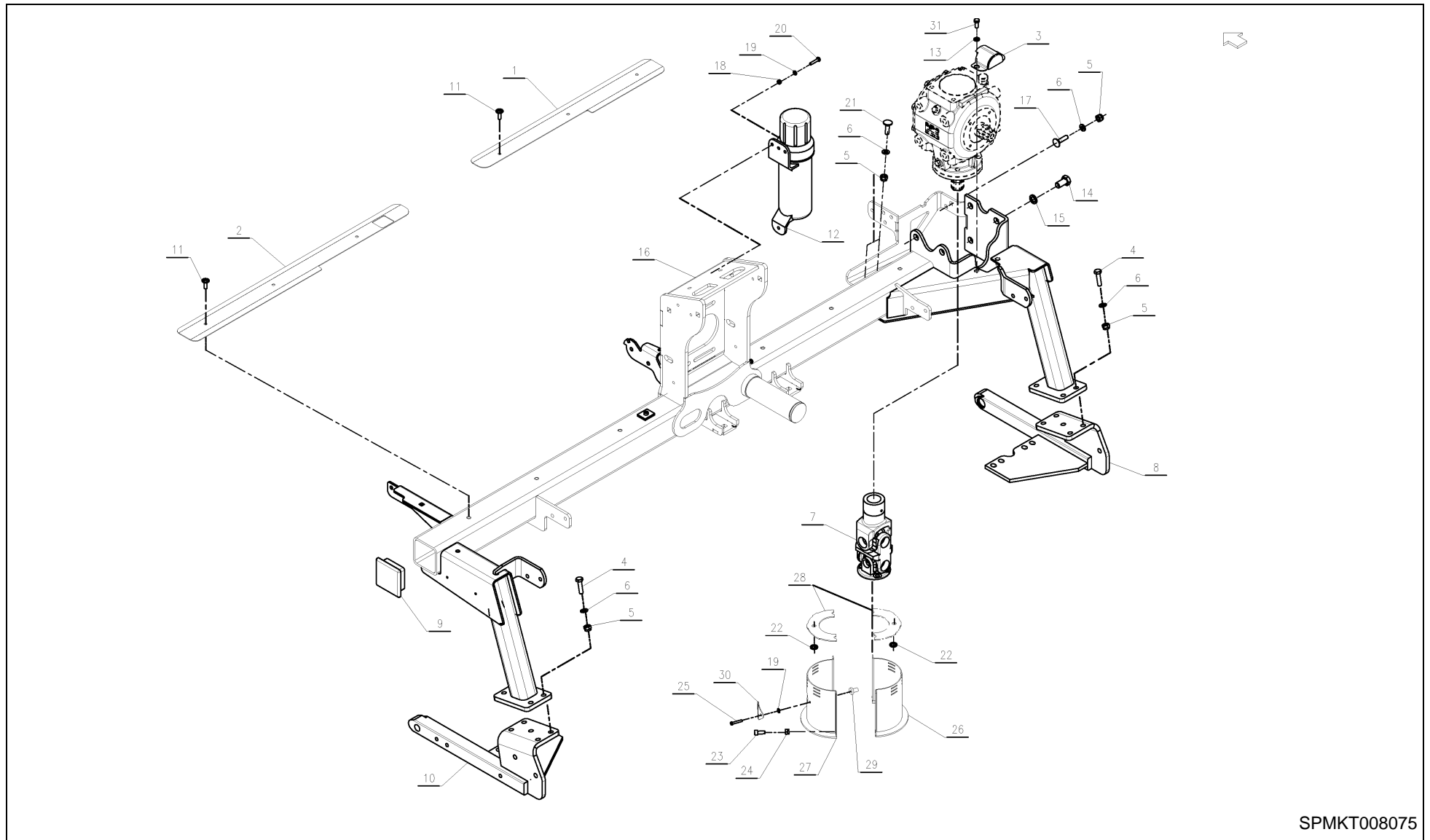




EXTRA 324F ALPIN / LINKAGE

PosNo.	Part No.	Qty.	Description	Remark
1	KG01273961	8	WASHER DIN7349 M16 A3C	
2	KG00646161	2	CARRIAGE BOLT M12X110 8.8 VZ. DIN603	
3	KG00481561	4	HEX. SCREW M16X130 8.8	
4	A157696161	4	BUMPER SPACER	
5	A157695100	2	BUMPER STRIP	
6	KG01064061	4	LOCK NUT M8 8	
7	KG00861861	4	COUNTERSUNK HEAD SCREW M8X30 8.8	
8	KG01073361	2	LOCK NUT M12 10	
9	KG01111162	1	CIRCLIP-A 60 X 2	
10	KT4837700061	2	PRESSURE SPRING	
11	A147852361	2	FITTING DISC	
12	KG01267361	4	WASHER M8	
13	A158340986	1	PENDELBOCK ALPIN	
14	A157502600	2	GLIDING BUSH Ø60X60 (DX6060)	
15	KT99417025	2	GREASE NIPPLE M6 TYPE I DS 6004	
16	A157791561	2	SPRING LOCATER	
17	KG01067961	4	LOCK NUT M16 8	
18	A157617530	1	DECAL KIT - FR PLAIN - ALPIN 540 RPM	
19	A157617730	1	DECAL KIT - FR PLAIN - ALPIN 1000 RPM	

EXTRA 324F ALPIN / MAIN FRAME, TRANSMISSION



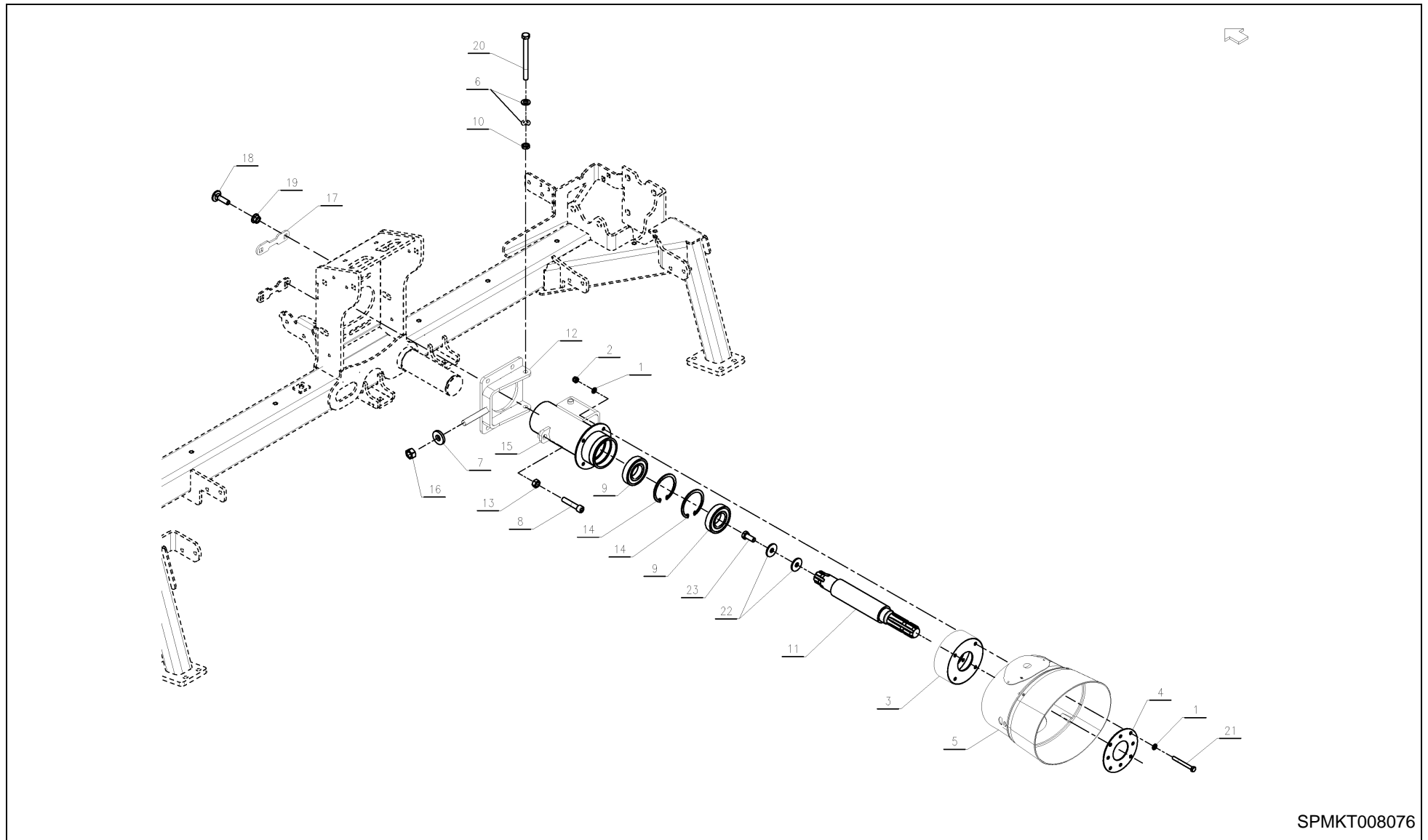
SPMKT008075



EXTRA 324F ALPIN / MAIN FRAME, TRANSMISSION

PosNo.	Part No.	Qty.	Description	Remark
1	A151921186	1	COVER PLATE RH	
2	A158750786	1	COVER PLATE LH	
3	A147859386	1	SPLINE COVER	
4	KG00474561	8	HEX. SCREW M10X40 8.8	
5	KG01064161	12	LOCK NUT M10 8	
6	KG01267461	12	WASHER M10	
7	KT99244676	1	DOUBLE UNIVERSAL JOINT	
8	KT1955400086	1	BRACKET	
9	KT99458590	1	PLASTIC PLUG 90X90X35	
10	KT9218700086	1	BRACKET LH	
11	VF01142856	6	CUP SQR. BOLT M8X25DIN7380-2 10.9 GALV.	
12	VF16660164	1	DOCUMENT BOX D=89 MM	
13	KG01267361	13	WASHER M8	
14	KG00480061	6	HEX. SCREW M16X30 8.8	
15	KT99333835	6	NORDLOCK LOCKING DISC 17X25,4X3,7 NL16	
16	A158707730	1	MAINFRAME ALPIN 2.4M CPL	
17	KG00641761	2	CARRIAGE BOLT M10X40 8.8	
18	KG01067361	3	LOCK NUT M6 8	
19	KG01267261	4	WASHER M6	
20	KG00469261	3	HEX. SCREW M6X30 8.8	
21	KG00641661	2	CARRIAGE BOLT M10X35 8.8	
22	KT99333833	4	NORD-LOCK WASHER NL12 (13,0X19,5X2,5)	
23	KG00545061	4	CHEESE HEAD SCREW M8X20 8.8	
24	KG01064061	4	LOCK NUT M8 8	
25	KG00701463	1	CHEESE HEAD SCREW M5X30 4.8	
26	A147444486	1	GUARD	
27	A157959586	1	GUARD WITH LUB HOLE	
28	A144155661	2	TORGUE FLANG 300 GEARBOX 130	
29	KT99450725	1	WELL-NUT M 5	
30	A132652286	1	COVER	
31	KG00471961	2	HEX. SCREW M8X20 8.8	

EXTRA 324F ALPIN / TRANSMISSION



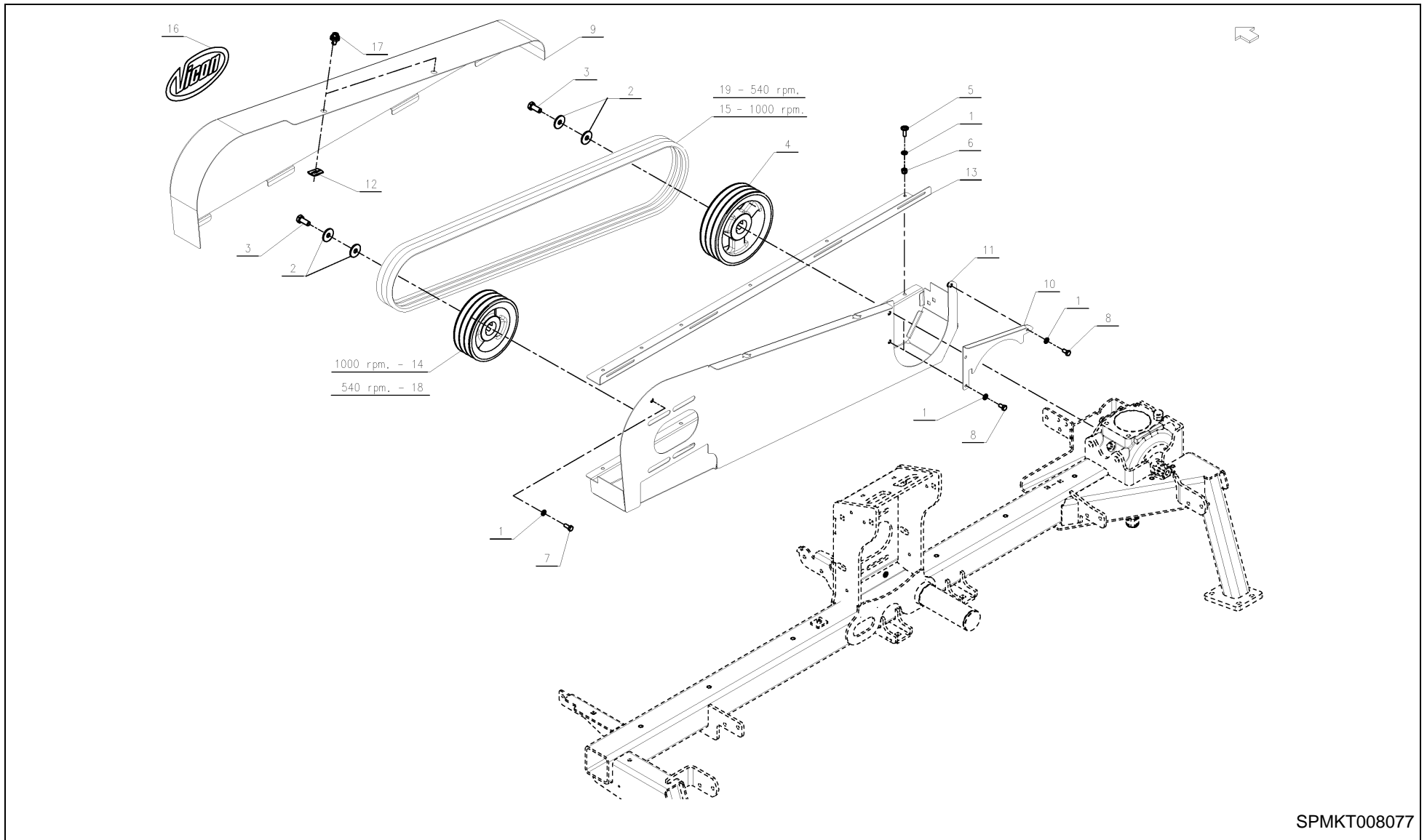
SPMKT008076



EXTRA 324F ALPIN / TRANSMISSION

PosNo.	Part No.	Qty.	Description	Remark
1	KG01267361	8	WASHER M8	
2	KG01064061	4	LOCK NUT M8 8	
3	A158011786	1	PTO GUARD ADAPTER	
4	KT9062910061	1	PLATE FOR PTO GUARD	
5	KT99244506	1	GUARD	
6	KG01267561	2	WASHER M12	
7	KG01273961	1	WASHER DIN7349 M16 A3C	
8	KG00596800	1	CHEESE HEAD SCREW M12X60 12.9	
9	KG01477900	2	BALL BEARING 6208-2RS C3	
10	KG01043361	1	HEX. NUT M12 8	
11	KT92131000	1	SHAFT 1 3/8" Z=6	
12	A151909486	1	BELT TENSION BRACKET COMPLETE	
13	KG01052100	1	HEX. NUT M12 8 DIN934	
14	A100026862	2	CIRCLIP B 80 X 2.5	
15	A151909686	1	AXLE TUBE COMPLETE	
16	KG01052361	1	HEX. NUT M16 8	
17	A151907461	2	LOCKING BRACKET	
18	KG00645161	4	CARRIAGE BOLT M12X45 8.8 VZ. DIN603	
19	KG01058161	4	FLANGED NUT M12 8	
20	KG00358761	1	HEX. BOLT M12X140 8.8	
21	KG00353961	4	HEX. BOLT M8X75 8.8	
22	KT55670000	2	WASHER (DISC)	
23	KG00476561	1	HEX. SCREW M12X30 8.8	

EXTRA 324F ALPIN / GUARD, TRANSMISSION



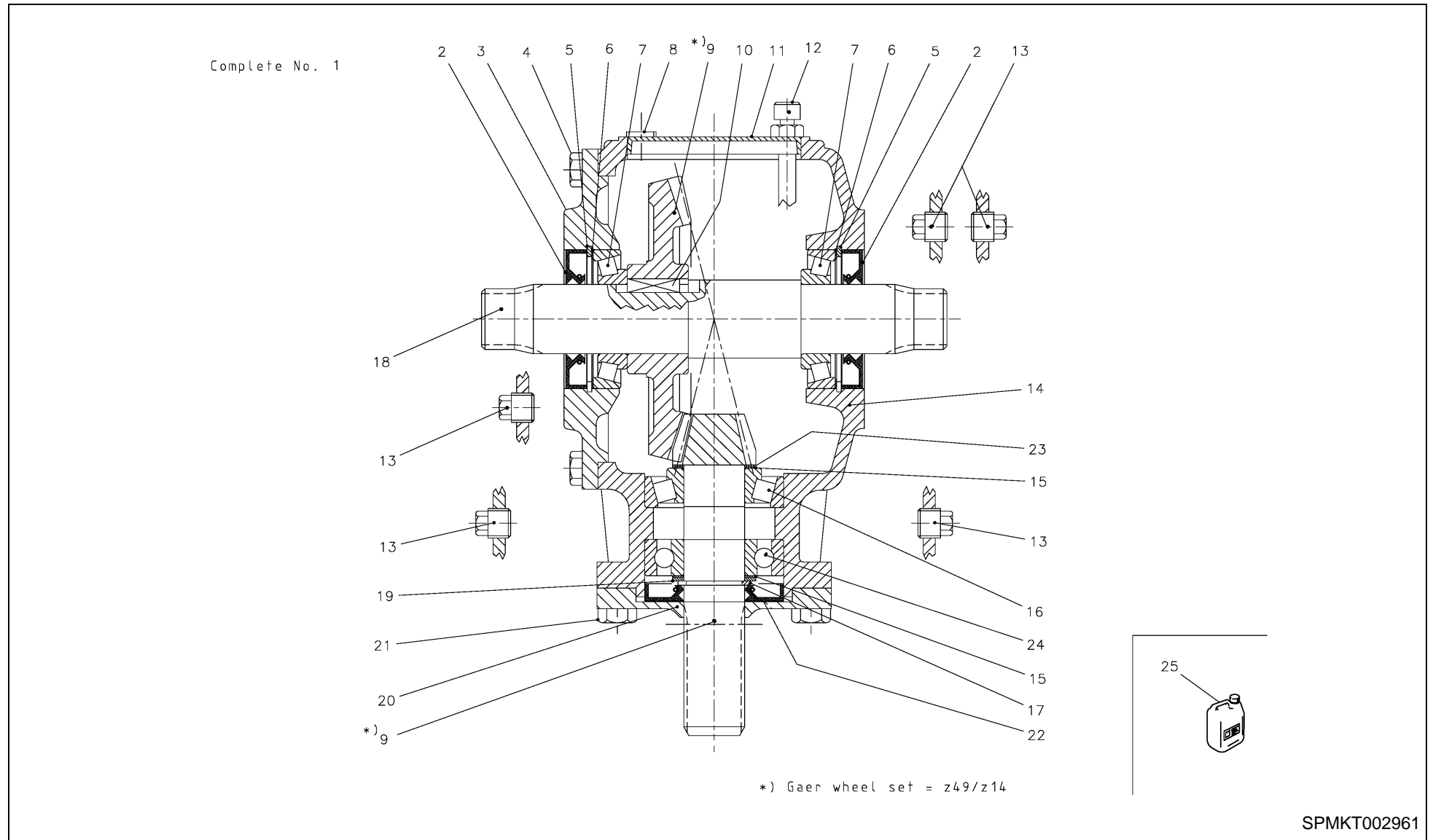
SPMKT008077

EXTRA 324F ALPIN / GUARD, TRANSMISSION



PosNo.	Part No.	Qty.	Description	Remark
1	KG01267361	9	WASHER M8	
2	KT55670000	4	WASHER (DISC)	
3	KG00476561	2	HEX. SCREW M12X30 8.8	
4	A157116800	1	PULLEY DW212 3SPB	
5	VF01142856	6	CUP SQR. BOLT M8X25DIN7380-2 10.9 GALV.	
6	KG01064061	6	LOCK NUT M8 8	
7	KG00471961	1	HEX. SCREW M8X20 8.8	
8	KG00471761	3	HEX. SCREW M8X16 8.8 GALV. DIN 933	
9	A151938094	1	FRONT COVER	
10	A157284386	1	GEARBOX COVER PLATE	
11	A158766986	1	BELT GUARD LOWER COMPLETE 2,4	
12	KT99458529	2	BOTTOM PART FOR LOCKBOLT	
13	A158750686	1	COVER BRACKET	
14	A157114400	1	PULLEY DW180 3SPB	
15	A157334400	1	V-BELT SPB 2530 RED POWER 3 (SET OF 3)	
16	VF16649404	1	BRAND STICKER TYPE MEASUREMENTS 50 VICON	
17	KT99458527	2	LOCKBOLT	
18	A157113200	1	PULLEY DW315 3SPB	
19	A157332200	1	V-BELT SPB 2740 RED POWER 3 (SET OF 3)	

EXTRA 324F ALPIN / MAIN GEAR BOX, COMPLETE





EXTRA 324F ALPIN / MAIN GEAR BOX, COMPLETE

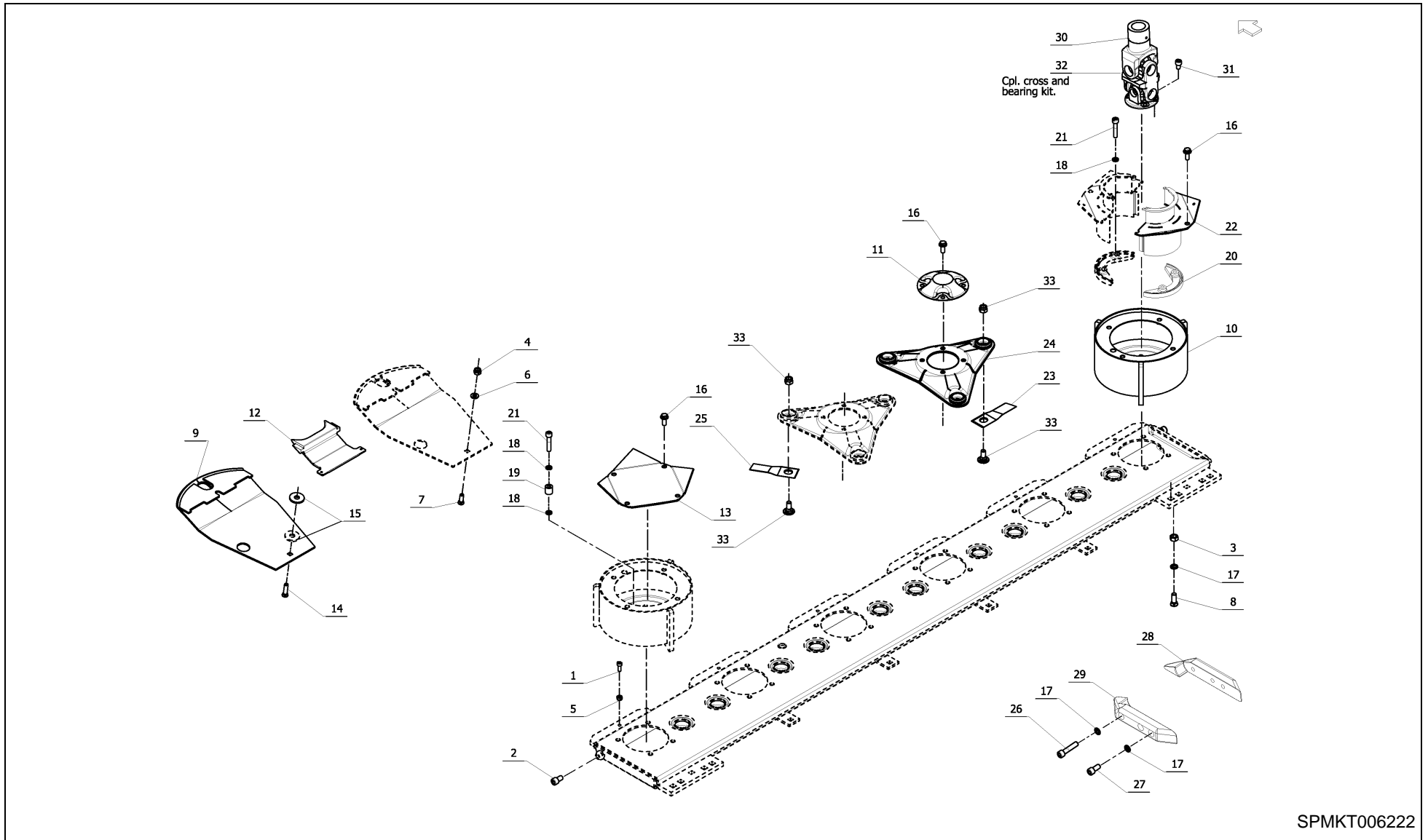
PosNo.	Part No.	Qty.	Description	Remark
1	KT99250806	1	GEAR BOX, COMPLETE	
2	KT99251290	2	DOUBLE LIP SEAL Ø40XØ80X12	
3	KT99251332	1	COVER	
4	KG00474261	8	HEX. SCREW M10X25 8.8	
5	A100026862	2	CIRCLIP B 80 X 2.5	
6	KT99250556	2	KIT WASHER (DISC) Ø79,7 - 4 PIECES	
7	KG01799800	2	TAPER ROLLER BEARING 30208	
8	KT99250583	1	PLUG	
9	KT92910000	1	GEAR WHEEL SET Z14/49	
10	KT99354142	1	KEY B12-8-35	
11	KT99251267	1	CAP 100X10	
12	KT99251340	1	DIPSTICK	
13	KT99250982	5	OIL PLUG 3/8"	
14	KT99251297	1	CASING	
15	KT99250946	2	WASHER Ø35,3-Ø48	
16	KT99106225	1	ROLLER BEARING 30307	
17	KG01099362	1	CIRCLIP-A 35 X 2.5	
18	KT99251336	1	SHAFT	
19	KT99251294	1	SHIM	
20	KT99251295	1	COVER	
21	KG00476561	4	HEX. SCREW M12X30 8.8	
22	KT99250989	1	SEAL RING	
23	KT99251298	1	SHIM Ø35,3X0,9	
24	KG01401300	1	BALL BEARING 6307	
25	A142726800	1	KVERNELAND GROUP CUTTERBAR OIL 5 LTR.	



EXTRA 324F ALPIN / CUTTERBAR, COMPLETE

PosNo.	Part No.	Qty.	Description	Remark
1	KT5514500086	1	6-DISC CUTTERBAR	
2	KG00542161	2	CHEESE HEAD SCREW M5X16 8.8	
3	KT5564900061	1	COVER	
4	KT55650000	1	LUG	
5	KT55651000	1	GASKET	
6	KT99458109	1	TUBE PLUG M16X1,5	
7	KT99462633	1	PLUG M16X1,5	
8	KT99462718	2	COPPER SEALING 16 X 22 X 1,5	
9	KT55641100	10	GEAR WHEEL Z=39	
10	KG00476261	10	HEX. SCREW M12X20 8.8	
11	KT55670000	10	WASHER (DISC)	
12	KT55644000	10	JOURNAL	
13	KT55646100	20	NUT	
14	KG01840900	4	HEX. NUT M12 10 4032	
15	KT55766000	4	DISTANCE BUSHING	
16	KT5572910061	12	LOCK PLATE	
17	KG01840800	20	HEX. SCREW M12X35 10.9 4017	
18	KT99420109	28	OIL SEAL Ø10,69X3,53	
19	KT99420286	6	OIL SEAL Ø120,24X3,53	
20	KT55767000	2	LOCK PLATE	
21	KT99302819	4	STEEL BOLT M12X65	
22	KG00595400	4	CHEESE HEAD SCREW M10X16 12.9	
23	A157582500	10	O-RING N70 Ø37,00 X 1,20	
24	KT99420125	10	OIL SEAL Ø34,2X3	
25	A142726800	1	KVERNELAND GROUP CUTTERBAR OIL 5 LTR.	
26	A144413686	1	CUTTERBAR CPL. 6 SK DIR 380 ALPIN PTO LH	
27	A144144030	5	BEARING HOUSE, DOUBLE ROW BEARING	
28	A144143930	1	BEARING HOUSE, DOUBLE ROW BEARING PTO	
29	KT55706100	1	SET OF BEARING	
30	KT55710200	1	GASKET KIT	
31	A157049730	1	TOOL KIT FOR CUTTERBAR	
32	KT99457134	1	LOCTITE TUBE 5ML	
33	KT99457135	1	LOCTITE TUBE 10 G	

EXTRA 324F ALPIN / TRANSMISSION, CUTTERBAR



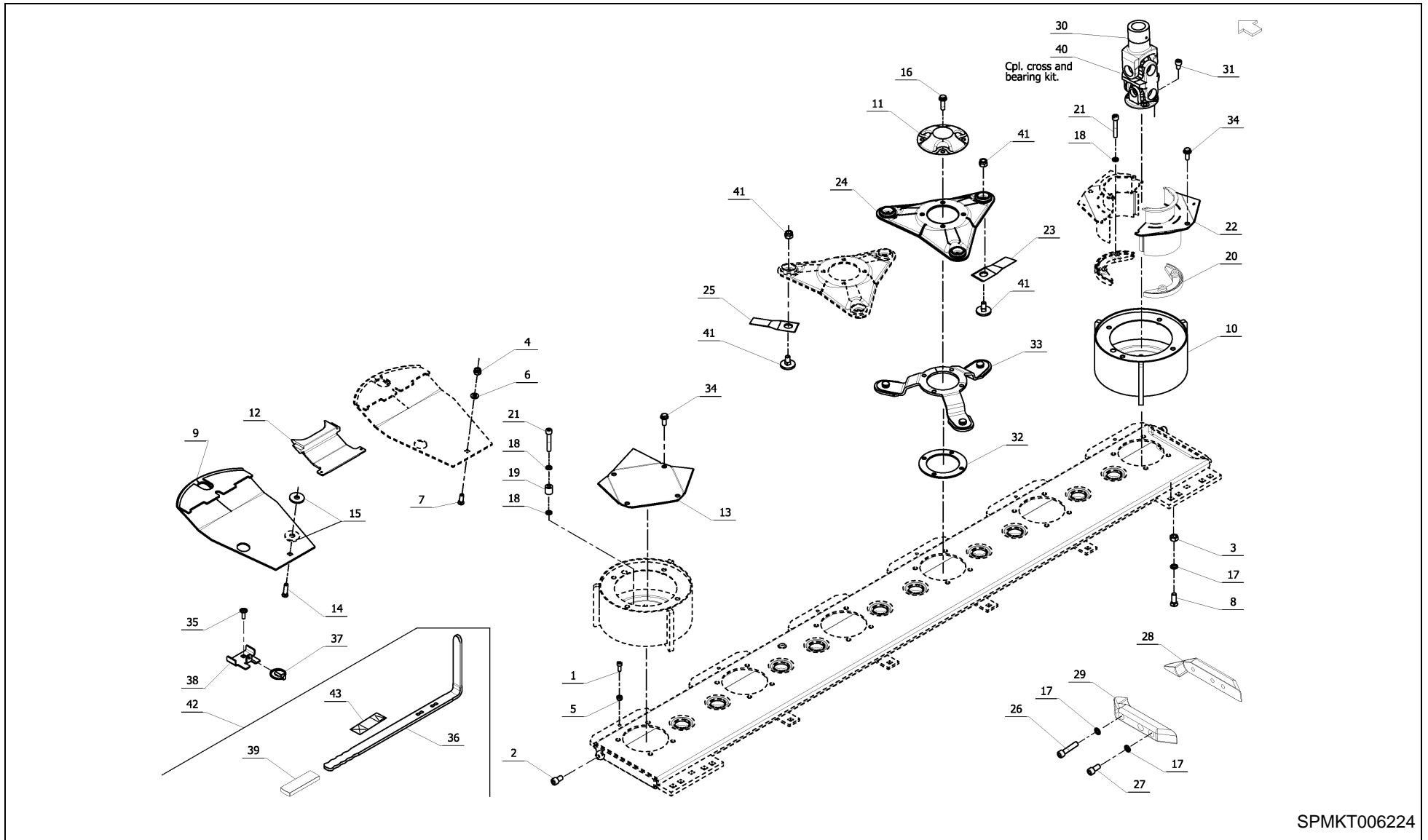
SPMKT006222



EXTRA 324F ALPIN / TRANSMISSION, CUTTERBAR

PosNo.	Part No.	Qty.	Description	Remark
1	KG00545061	6	CHEESE HEAD SCREW M8X20 8.8	
2	KG00596200	2	CHEESE HEAD SCREW M12X20 12.9	
3	KG01052161	8	HEX. NUT M12 8	
4	KG01064161	6	LOCK NUT M10 8	
5	KG01067561	6	LOCK NUT M8 8	
6	KG01267461	6	WASHER M10	
7	KT45429000	4	PLOUGH BOLT M10-30	
8	KT4543100061	8	PLOUGH BOLT M12X35	
9	KT5512510086	6	WEARING SOLE	
10	KT5512710094	2	CONE	
11	KT5513700086	4	COVER	
12	KT5513910086	5	COUNTER KNIFE	
13	A144059586	1	TOP PLATE	
14	KT56149000	2	PLOUGH BOLT M10-40	
15	KT5627100061	4	WASHER Ø13-Ø40X4	
16	KT99308826	24	STEEL BOLT (VERBUS RIBB BOLT) M10X20	
17	KT99333833	16	NORD-LOCK WASHER NL12 (13,0X19,5X2,5)	
18	KT99333832	8	NORD-LOCK WASHER NL3/8" (10,3 X 16,6)	
19	KT5539800061	4	BUSHING	
20	A132446961	2	180DEG. SPACER FOR GUARD	
21	KG01904300	8	CHEESE HEAD SCREW M10X50 12.9	
22	A132077286	2	180DEG. DRUM WING ASSY	
23	KT5611090001	9	KNIFE, LH (126MM)	
24	KT5513600094	6	CUTTING DISC	
25	KT5611040001	9	KNIFE, RH (126MM)	
26	KG00596700	2	CHEESE HEAD SCREW M12X55 12.9 DIN 912	
27	KG00596300	4	CHEESE HEAD SCREW M12X25 12.9	
28	A132633361	1	PROTECTION LH	
29	A132614661	1	PROTECTION RH	
30	KT99244676	1	DOUBLE UNIVERSAL JOINT	
31	KG00595400	4	CHEESE HEAD SCREW M10X16 12.9	
32	KT99244558	2	CROSS	
33	KT56785000	1	KNIFE BOLT KIT CPL. (25 PCS.)	

EXTRA 324F ALPIN / TRANSMISSION, CUTTERBAR + EXPRESS



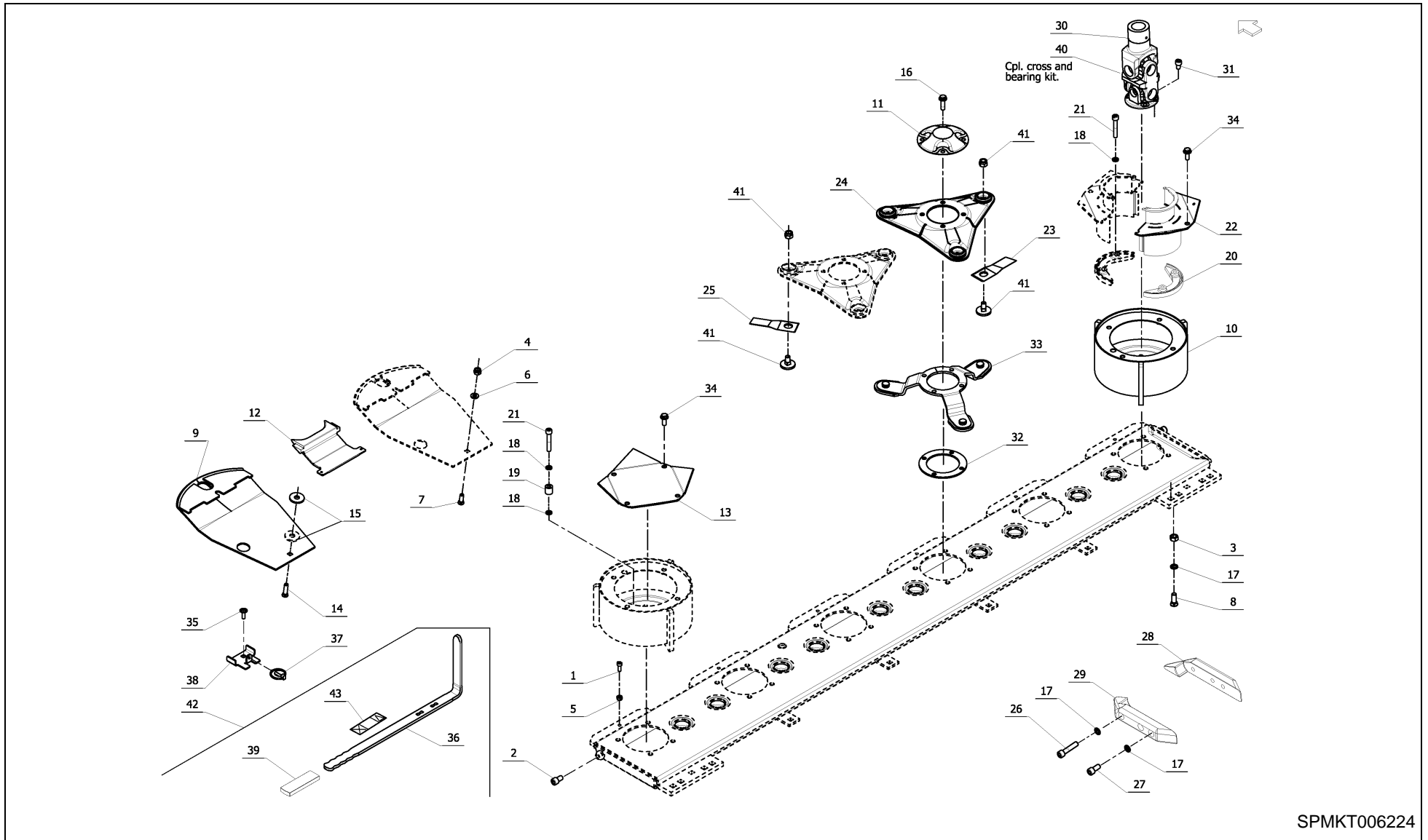
SPMKT006224

EXTRA 324F ALPIN / TRANSMISSION, CUTTERBAR + EXPRESS



PosNo.	Part No.	Qty.	Description	Remark
1	KG00545061	6	CHEESE HEAD SCREW M8X20 8.8	
2	KG00596200	2	CHEESE HEAD SCREW M12X20 12.9	
3	KG01052161	8	HEX. NUT M12 8	
4	KG01064161	6	LOCK NUT M10 8	
5	KG01067561	6	LOCK NUT M8 8	
6	KG01267461	6	WASHER M10	
7	KT45429000	4	PLOUGH BOLT M10-30	
8	KT4543100061	8	PLOUGH BOLT M12X35	
9	KT5512510086	6	WEARING SOLE	
10	KT5512710094	2	CONE	
11	KT5513700086	4	COVER	
12	KT5513910086	5	COUNTER KNIFE	
13	A144059586	1	TOP PLATE	
14	KT56149000	2	PLOUGH BOLT M10-40	
15	KT5627100061	4	WASHER Ø13-Ø40X4	
16	KT99308832	16	STEEL BOLT M10X35 10.9(VERBUS RIBB BOLT)	
17	KT99333833	16	NORD-LOCK WASHER NL12 (13,0X19,5X2,5)	
18	KT99333832	8	NORD-LOCK WASHER NL3/8" (10,3 X 16,6)	
19	KT5539800061	4	BUSHING	
20	A132446961	2	180DEG. SPACER FOR GUARD	
21	KG01904500	8	CHEESE HEAD SCREW M10X60 12.9	
22	A132077286	2	180DEG. DRUM WING ASSY	
23	KT5611090001	9	KNIFE, LH (126MM)	
24	KT5513600094	6	CUTTING DISC	
25	KT5611040001	9	KNIFE, RH (126MM)	
26	KG00596700	2	CHEESE HEAD SCREW M12X55 12.9 DIN 912	
27	KG00596300	4	CHEESE HEAD SCREW M12X25 12.9	
28	A132633361	1	PROTECTION LH	
29	A132614661	1	PROTECTION RH	
30	KT99244676	1	DOUBLE UNIVERSAL JOINT	
31	KG00595400	4	CHEESE HEAD SCREW M10X16 12.9	
32	KT5526900061	6	WASHER 4MM (EXPRESS)	
33	KT5518500086	6	EXPRESS SPRING	
34	KT99308826	8	STEEL BOLT (VERBUS RIBB BOLT) M10X20	
35	KG00639161	1	CARRIAGE BOLT M8X25 8.8	
36	KT5517400061	1	TOOL	
37	KT99331901	1	LINCH PIN Ø 6	
38	KT5577300061	1	PARKING BRACKET	
39	KT38218000	1	PLASTIC HANDLE	
40	KT99244558	2	CROSS	

EXTRA 324F ALPIN / TRANSMISSION, CUTTERBAR + EXPRESS



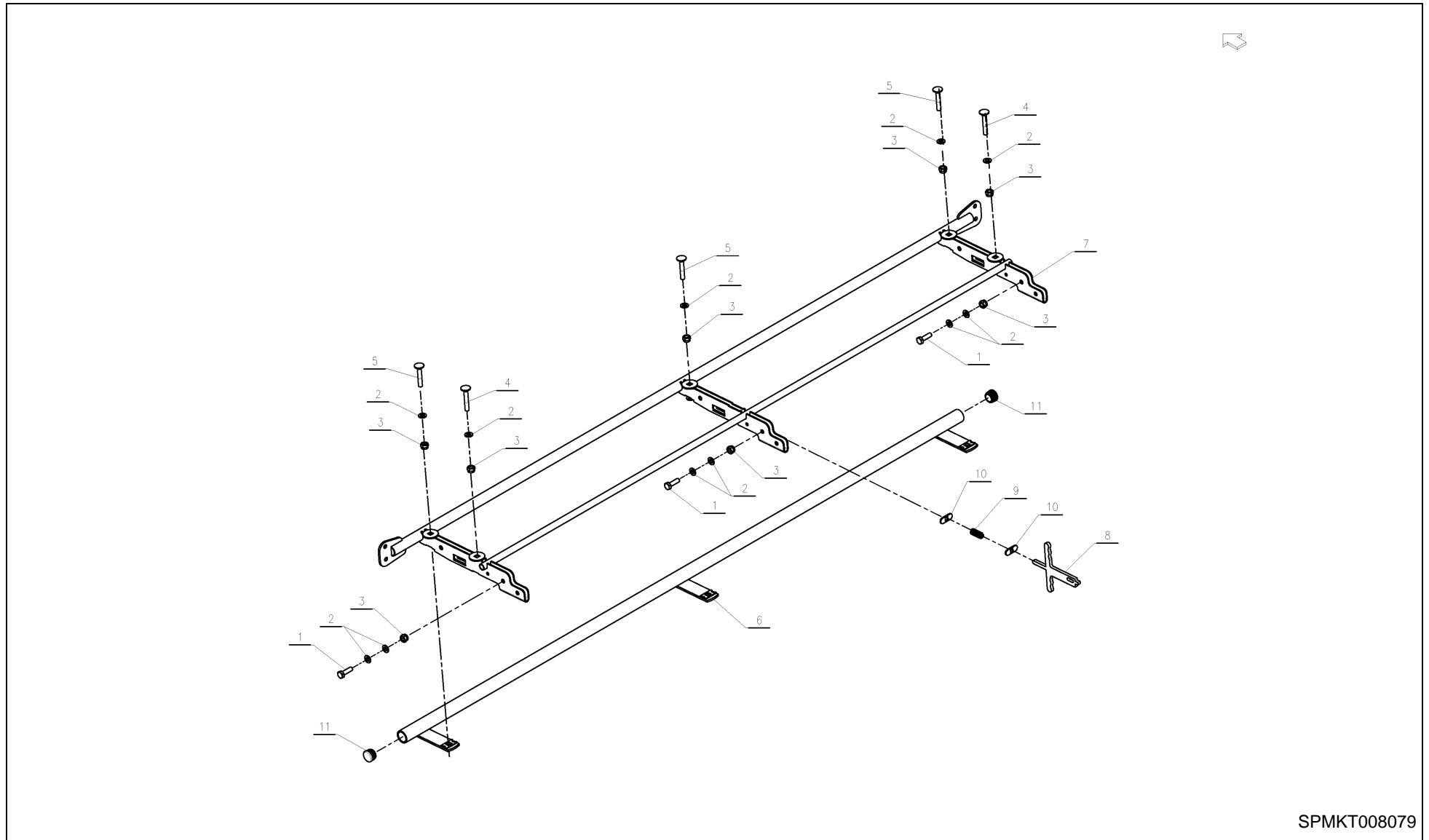
SPMKT006224

EXTRA 324F ALPIN / TRANSMISSION, CUTTERBAR + EXPRESS



PosNo.	Part No.	Qty.	Description	Remark
41	KT56998000	1	KIT OF KNIFE BOLT (25 PCS.)	
42	KT55177000	1	TOOL COMPLETE	
43	KT55769000	1	DECAL	

EXTRA 324F ALPIN / GUARD



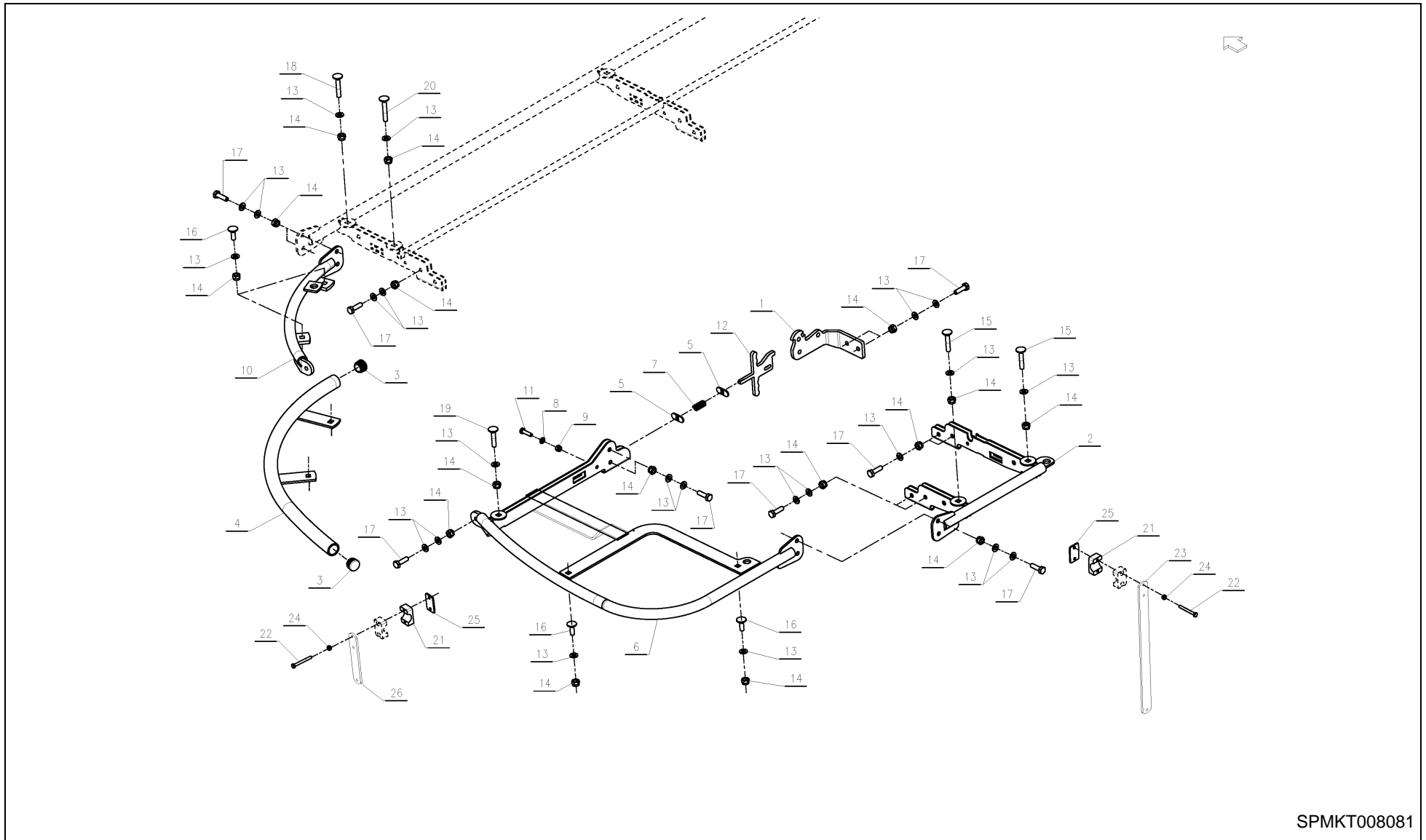
SPMKT008079



EXTRA 324F ALPIN / GUARD

PosNo.	Part No.	Qty.	Description	Remark
1	KG00474461	3	HEX. SCREW M10X35 8.8	
2	KG01267461	14	WASHER M10	
3	KG01064161	9	LOCK NUT M10 8	
4	KG00642261	2	CARRIAGE BOLT M10X65 8.8	
5	KG00642161	3	CARRIAGE BOLT M10X60 8.8	
6	A132217294	1	RAIL FRONT	
7	A132192886	2	CENTER GUARD FRMO 2,4	
8	KT9232410061	1	LATCH	
9	VF06215282	1	COMPRESSION SPRING	
10	KT9217900061	2	PLATE	
11	A132874300	2	PLASTIC PLUG Ø30X1,00-2,00 BLACK	

EXTRA 324F ALPIN / GUARD, LH



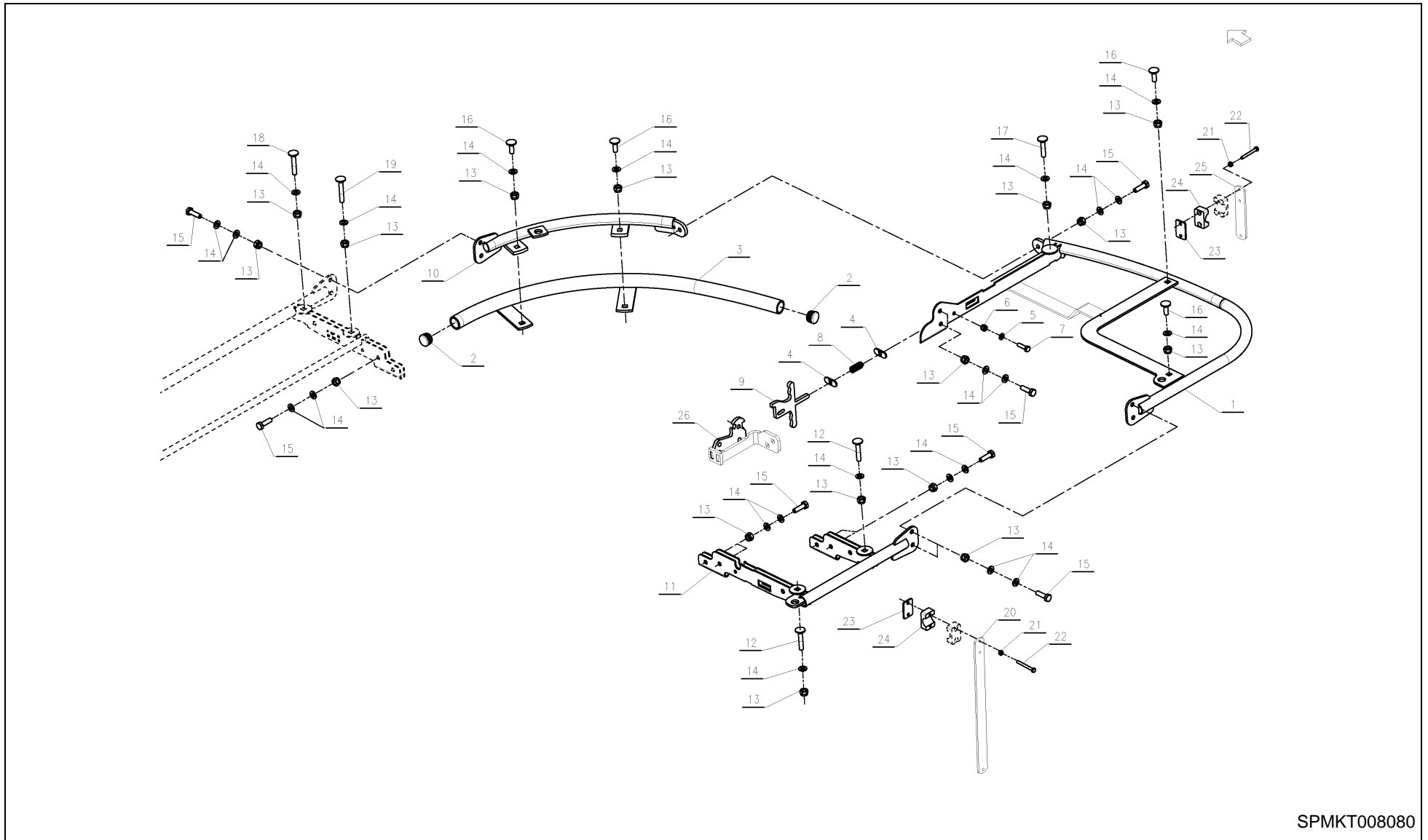
SPMKT008081



EXTRA 324F ALPIN / GUARD, LH

PosNo.	Part No.	Qty.	Description	Remark
1	A158481186	1	LH BRACKET ALPIN	
2	A158708586	1	LH REAR GUARD FRAME 2.4	
3	A132874300	2	PLASTIC PLUG Ø30X1,00-2,00 BLACK	
4	KT9217200094	1	HOOP, LH	
5	KT9217900061	2	PLATE	
6	A158465086	1	RAIL LH BACK ALPIN	
7	VF06215282	1	COMPRESSION SPRING	
8	KG01267361	1	WASHER M8	
9	KG01064061	1	LOCK NUT M8 8	
10	KT9216910086	1	HOOP FRONT, LH	
11	KG00472261	1	ML2. SCREW M8X30 8.8	
12	KT9218010061	1	LATCH	
13	KG01267461	33	WASHER M10	
14	KG01064161	19	LOCK NUT M10 8	
15	KG00642061	2	CARRIAGE BOLT M10X55 8.8	
16	KG00641561	4	CARRIAGE BOLT M10X30 8.8	
17	KG00474461	16	HEX. SCREW M10X35 8.8	
18	KG00641961	1	CARRIAGE BOLT M10X50 8.8	
19	A132090100	4	PIPE HOLDER SINGLE D25	
20	KG00351361	4	HEX. BOLT M6X55 8.8	
21	A132090086	1	TARPAULIN BRACKET	
22	KG01067361	4	LOCK NUT M6 8	
23	A132090200	2	HOLDING PLATE FOR PIPE HOLDER SINGLE	
24	A157752586	1	TARPAULIN BRACKET SHORT	

EXTRA 324F ALPIN / GUARD, RH



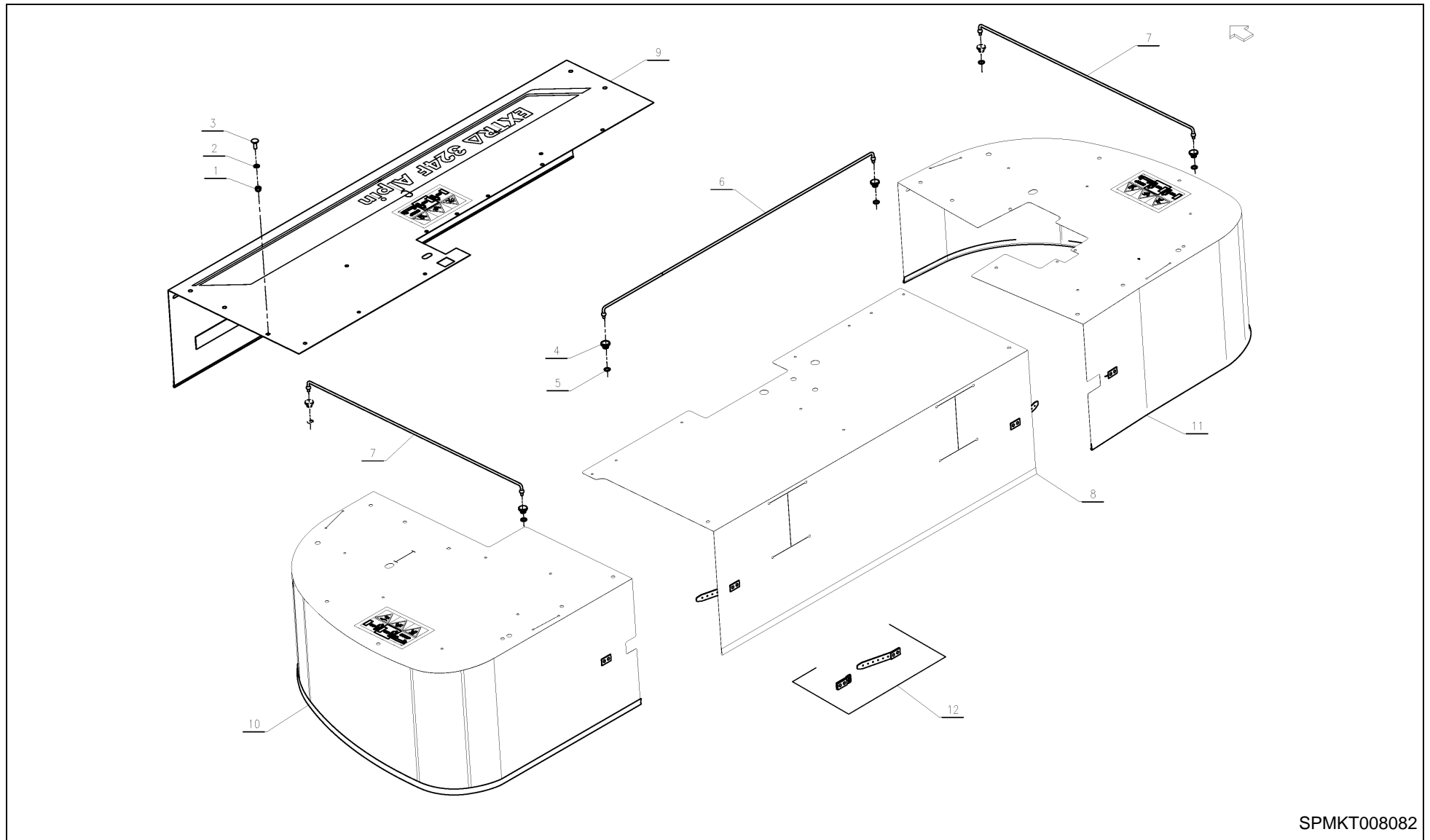
SPMKT008080



EXTRA 324F ALPIN / GUARD, RH

PosNo.	Part No.	Qty.	Description	Remark
1	A158464886	1	RAIL RH BACK ALPIN	
2	A132874300	2	PLASTIC PLUG Ø30X1,00-2,00 BLACK	
3	KT9215300094	1	HOOP, RH	
4	KT9217900061	2	PLATE	
5	KG01267361	1	WASHER M8	
6	KG01064061	1	LOCK NUT M8 8	
7	KG00472261	1	ML2. SCREW M8X30 8.8	
8	VF06215282	1	COMPRESSION SPRING	
9	KT9218010061	1	LATCH	
10	KT9215510086	1	HOOP FRONT, RH	
11	A158708486	1	RH REAR GUARD FRAME 2.4	
12	KG00642061	2	CARRIAGE BOLT M10X55 8.8	
13	KG01064161	19	LOCK NUT M10 8	
14	KG01267461	23	WASHER M10	
15	KG00474461	10	HEX. SCREW M10X35 8.8	
16	KG00641561	4	CARRIAGE BOLT M10X30 8.8	
17	KG00641961	1	CARRIAGE BOLT M10X50 8.8	
18	A132090086	1	TARPAULIN BRACKET	
19	KG01067361	4	LOCK NUT M6 8	
20	KG00351361	4	HEX. BOLT M6X55 8.8	
21	A132090200	2	HOLDING PLATE FOR PIPE HOLDER SINGLE	
22	A132090100	4	PIPE HOLDER SINGLE D25	
23	A157752586	1	TARPAULIN BRACKET SHORT	
24	A158479186	1	RH BRACKET ALPIN	

EXTRA 324F ALPIN / TARPAULIN



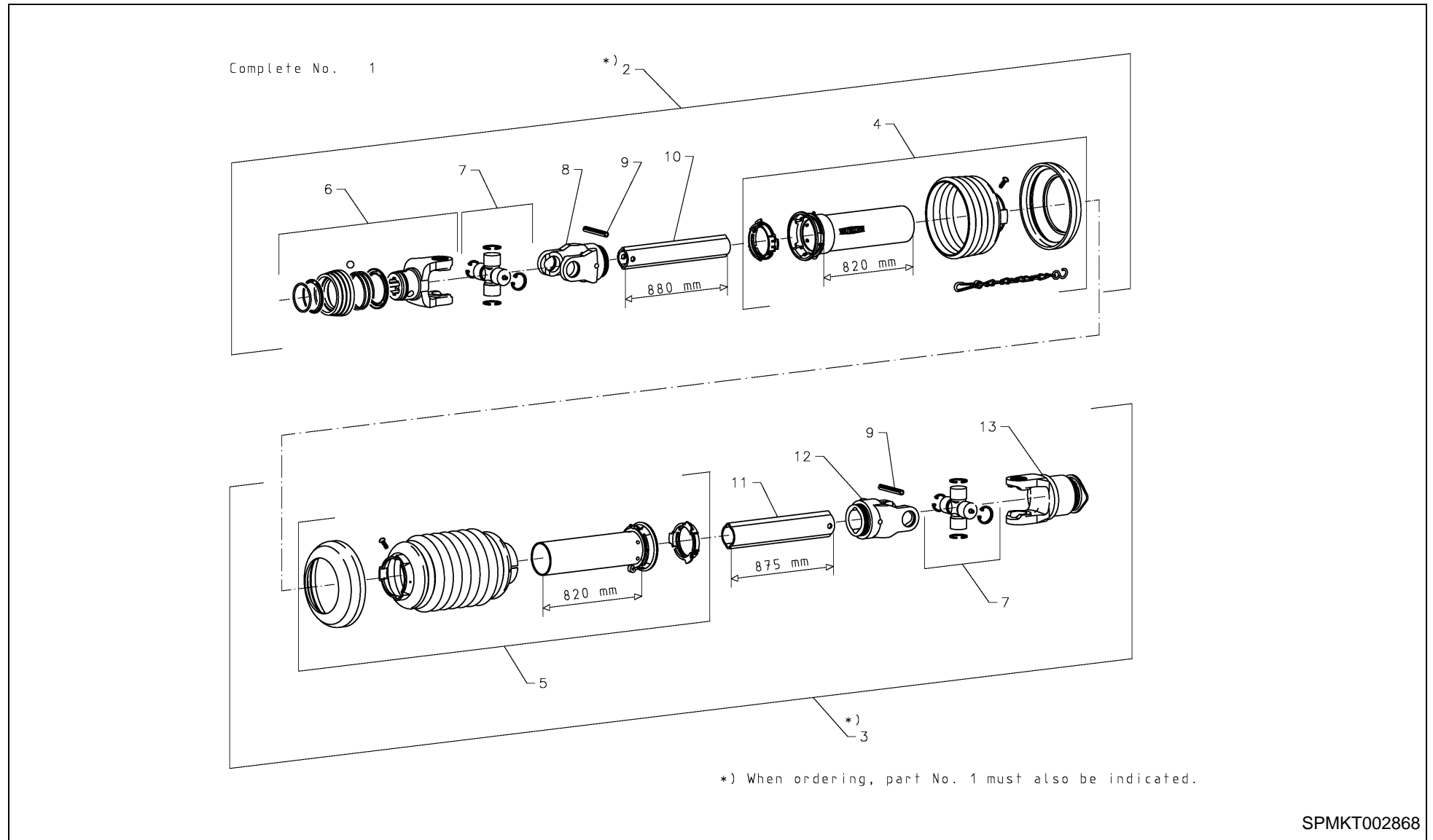
SPMKT008082



EXTRA 324F ALPIN / TARPAULIN

PosNo.	Part No.	Qty.	Description	Remark
1	KG01064161	1	LOCK NUT M10 8	
2	KG01267461	1	WASHER M10	
3	KG00641561	1	CARRIAGE BOLT M10X30 8.8	
4	VF16622430.61	6	GUIDE EYE	
5	VF06214690	6	O-RING 15X 3,0 NBR70	
6	KT99458708	1	ELASTIC Ø8MM BLACK	
7	KT92534000	2	ELASTIC STRAP	
8	A158681000	1	REAR MID ALPIN	
9	A158689800	1	FRONT MID VICON 324F ALPIN	
10	A158689900	1	LH SIDE 324F ALPIN	
11	A158690000	1	RH SIDE 324F ALPIN	

EXTRA 324F ALPIN / PTO SHAFT

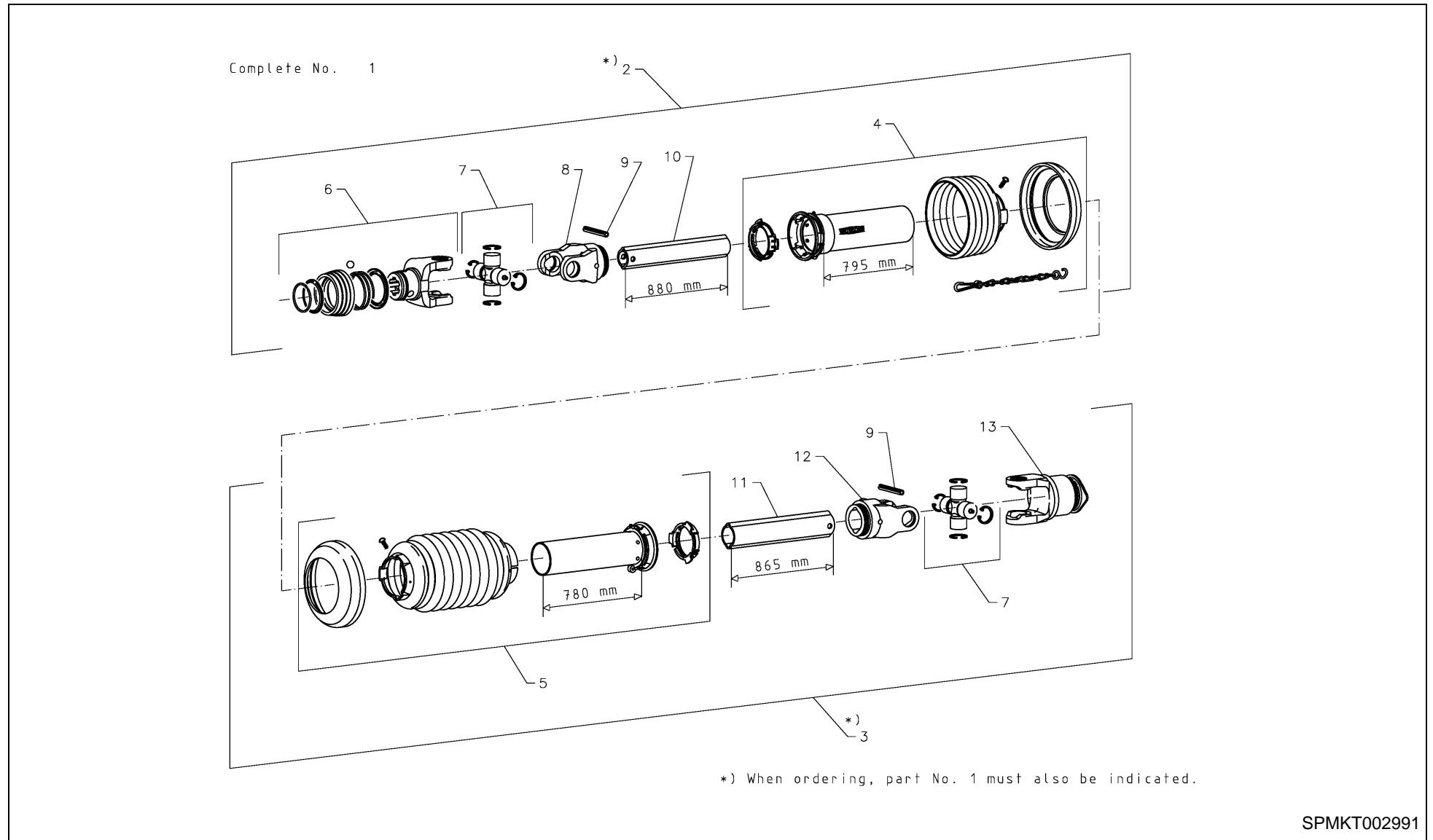




EXTRA 324F ALPIN / PTO SHAFT

PosNo.	Part No.	Qty.	Description	Remark
1	KT99244331	1	PTO SHAFT W2300, COMPLETE	Walterscheid No. 158945
2	KT99244679	1	INNER PTO SHAFT INCL. PROTECTION TUBE	
3	KT99244680	1	OUTER PTO SHAFT INCL. PROTECTION TUBE	
4	KT99244584	1	OUTER PROTECTION TUBE, COMPLETE	Walterscheid No. 116169
5	KT99244681	1	INNER PROTECTION TUBE, COMPLETE	Walterscheid No. 113041
6	KG02004100	1	YOKE CPL. ASGE2300-1 3/8" (6)	Walterscheid No. 133834
7	KT99244588	2	CROSS, COMPLETE	Walterscheid No. 116403
8	KT99235524	1	YOKE	Walterscheid No. 041315
9	VF01157382	2	ROLL PIN 10X65 EN ISO 8752 ZN.FL.	
10	KT99244589	1	INNER PROFILE TUBE	Walterscheid No. 135936
11	KG02008300	1	PROFILE TUBE 1G-1000	Walterscheid No. 136155
12	KT99244592	1	YOKE	Walterscheid No. 041318
13	KT99244682	1	OVERRUN CLUTCH	Walterscheid No. 128649

EXTRA 324F ALPIN / PTO SHAFT





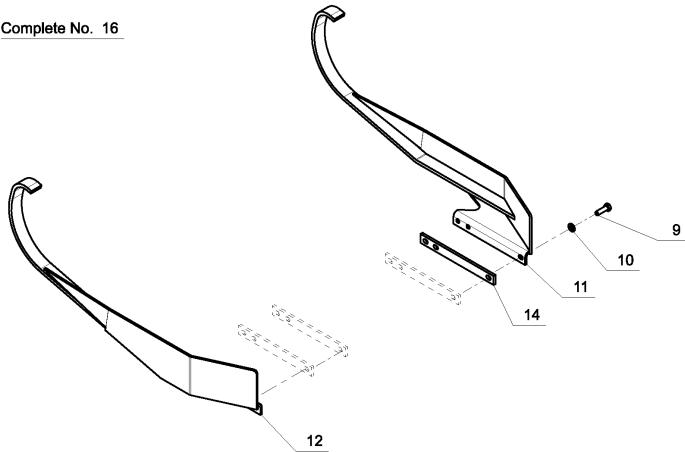
EXTRA 324F ALPIN / PTO SHAFT

PosNo.	Part No.	Qty.	Description	Remark
1	KT99244332	1	PTO SHAFT W2300, COMPLETE	Walterscheid No. 600297
2	KT99244679	1	INNER PTO SHAFT INCL. PROTECTION TUBE	
3	KT99244684	1	OUTER PTO SHAFT INCL. PROTECTION TUBE	
4	KT99244584	1	OUTER PROTECTION TUBE, COMPLETE	Walterscheid No. 116169
5	KT99244681	1	INNER PROTECTION TUBE, COMPLETE	Walterscheid No. 113041
6	KG02004100	1	YOKE CPL. ASGE2300-1 3/8" (6)	
7	KT99244588	2	CROSS, COMPLETE	Walterscheid No. 116403
8	KT99235524	1	YOKE	Walterscheid No. 041315
9	VF01157382	2	ROLL PIN 10X65 EN ISO 8752 ZN.FL.	
10	KT99244589	1	INNER PROFILE TUBE	Walterscheid No. 135936
11	KG02008300	1	PROFILE TUBE 1G-1000	
12	KT99244592	1	YOKE	Walterscheid No. 041318
13	KT99244685	1	OVERRUN CLUTCH	Walterscheid No. 110776

EXTRA 324F ALPIN / OPTIONAL EQUIPMENT

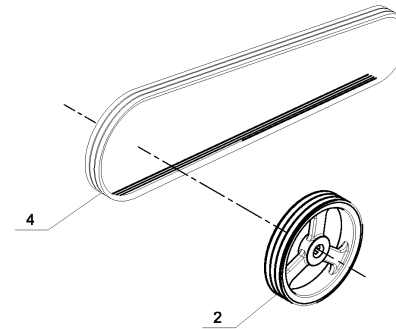


Complete No. 16

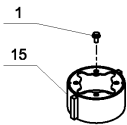


Complete No. 19

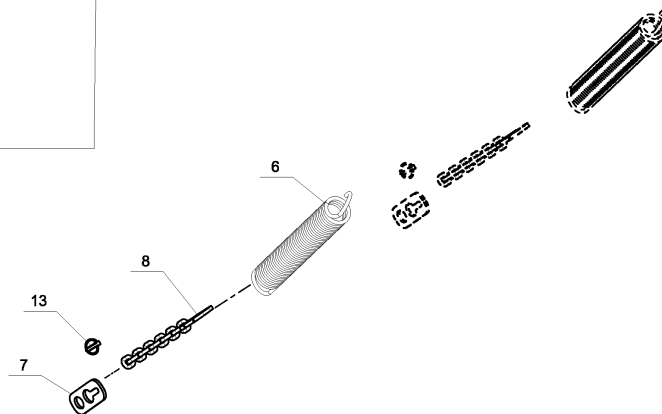
540 rpm



Complete No. 17

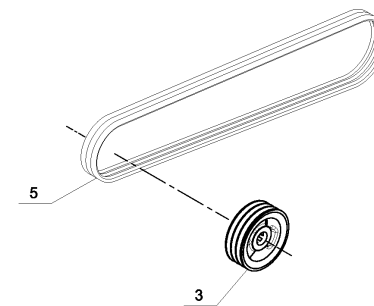


Complete No. 18



Complete No. 20

1000 rpm



SPMKT008087



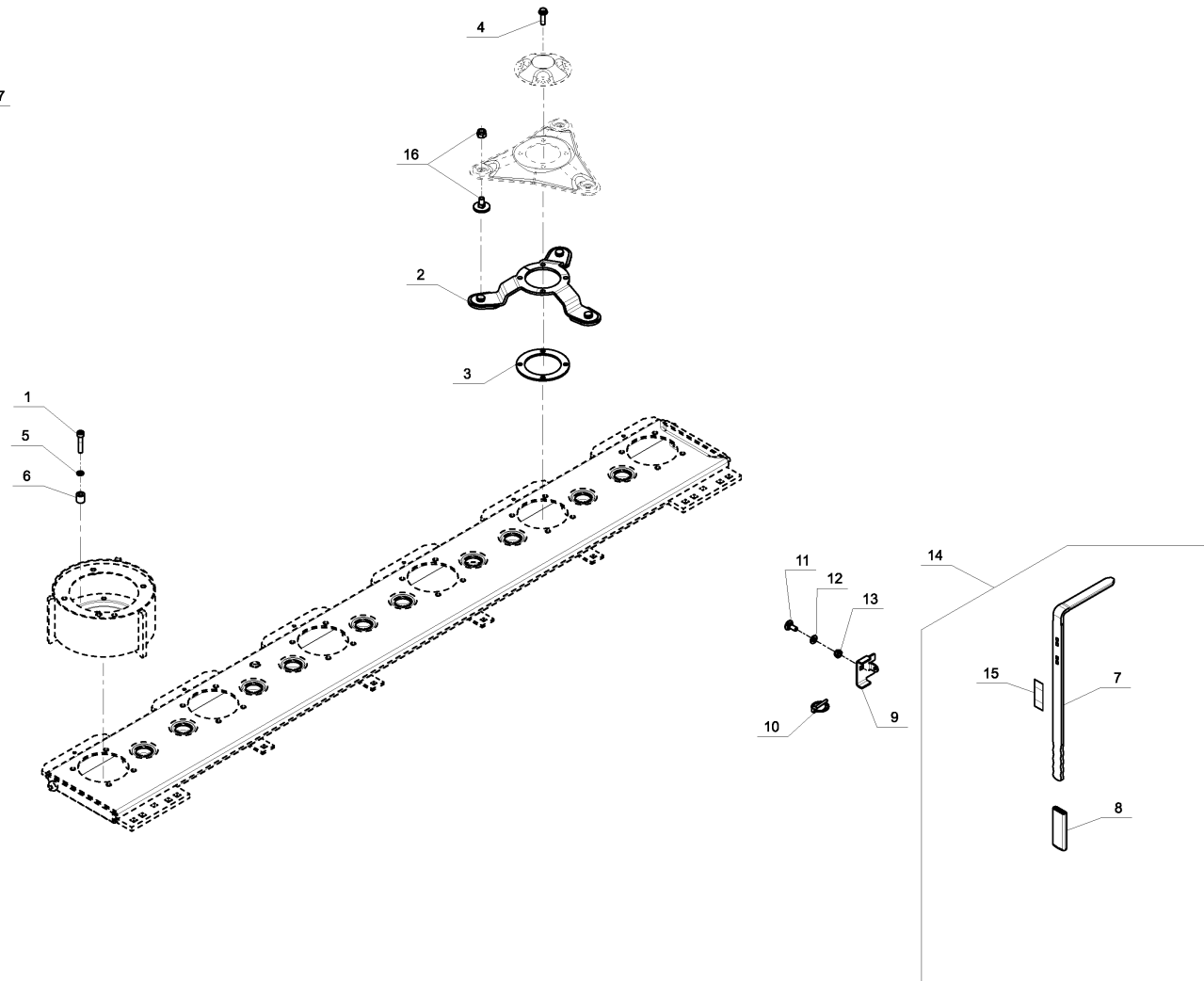
EXTRA 324F ALPIN / OPTIONAL EQUIPMENT

PosNo.	Part No.	Qty.	Description	Remark
1	A151545562	8	STEEL BOLT M10X20 (VERBUS RIBB BOLT)	
2	A157113200	1	PULLEY DW315 3SPB	
3	A157114400	1	PULLEY DW180 3SPB	
4	A157332200	1	V-BELT SPB 2740 RED POWER 3 (SET OF 3)	
5	A157334400	1	V-BELT SPB 2530 RED POWER 3 (SET OF 3)	
6	A158736961	2	SPRING Ø13 DA105 LF550	
7	A158742561	2	LOWER BRACKET	
8	A158742661	2	SUSPENSION CHAIN	
9	KG00476761	6	HEX. SCREW M12X40 8.8	
10	KG01267561	6	WASHER M12	
11	KT3847820086	1	STRAW DIVIDER, RH	
12	KT3847920086	1	STRAW DIVIDER, LH	
13	KT42176000	2	LINCH PIN Ø10MM	
14	KT6985700061	4	PLATE	
15	KT9273500086	2	FLOW DRUM 80MM	
16	ACCESSOIRE	1	PLEASE CONTACT YOUR DEALER	
17	ACCESSOIRE	1	PLEASE CONTACT YOUR DEALER	
18	ACCESSOIRE	1	PLEASE CONTACT YOUR DEALER	
19	ACCESSOIRE	1	PLEASE CONTACT YOUR DEALER	
20	ACCESSOIRE	1	PLEASE CONTACT YOUR DEALER	

EXTRA 324F ALPIN / OPTIONAL EQUIPMENT



Complete No. 17



SPMKT006228



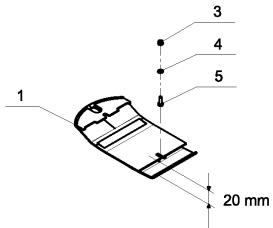
EXTRA 324F ALPIN / OPTIONAL EQUIPMENT

PosNo.	Part No.	Qty.	Description	Remark
1	KG01904500	8	CHEESE HEAD SCREW M10X60 12.9	
2	KT5518500086	6	EXPRESS SPRING	
3	KT5526900061	6	WASHER 4MM (EXPRESS)	
4	KT99308832	24	STEEL BOLT M10X35 10.9(VERBUS RIBB BOLT)	
5	KT99333832	8	NORD-LOCK WASHER NL3/8" (10,3 X 16,6)	
6	KT5539800061	8	BUSHING	
7	KT5517400061	1	TOOL	
8	KT38218000	1	PLASTIC HANDLE	
9	KT5577300061	1	PARKING BRACKET	
10	KT99331901	1	LINCH PIN Ø 6	
11	KG00641461	1	CARRIAGE BOLT M10X25 8.8	
12	KG01267461	1	WASHER M10	
13	KG01072361	1	LOCK NUT M10 8	
14	KT55177000	1	TOOL COMPLETE	
15	KT55769000	1	DECAL	
16	KT56998000	1	KIT OF KNIFE BOLT (25 PCS.)	
17	ACCESSOIRE	1	PLEASE CONTACT YOUR DEALER	

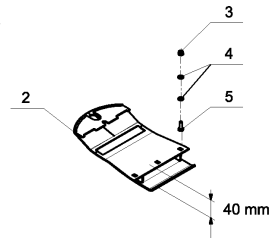
EXTRA 324F ALPIN / OPTIONAL EQUIPMENT



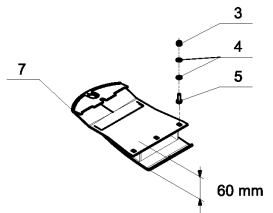
Complete No. 8



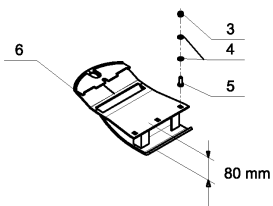
Complete No. 9



Complete No. 10



Complete No. 11



SPMKT005502



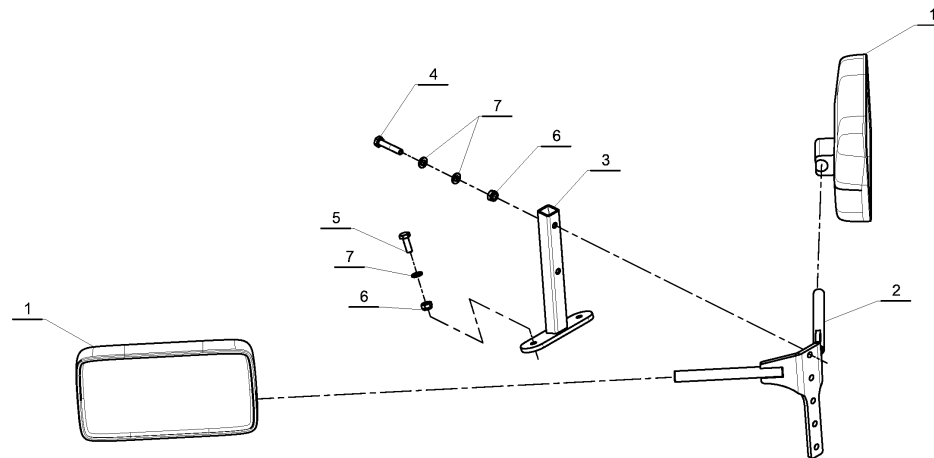
EXTRA 324F ALPIN / OPTIONAL EQUIPMENT

PosNo.	Part No.	Qty.	Description	Remark
1	KT5535000086	2	HIGH LIFT SKID 20MM	
2	KT5524000086	2	HIGH LIFT SKID 40 MM	
3	KG01064161	4	LOCK NUT M10 8	
4	KG01267461	8	WASHER M10	
5	KG00474361	4	HEX. SCREW M10X30 8.8	
6	KT5515300086	2	HIGH LIFT SKID 80 MM	
7	A144027686	2	HIGH SKID 60 MM	
8	ACCESSOIRE	1	PLEASE CONTACT YOUR DEALER	
9	ACCESSOIRE	1	PLEASE CONTACT YOUR DEALER	
10	ACCESSOIRE	1	PLEASE CONTACT YOUR DEALER	
11	ACCESSOIRE	1	PLEASE CONTACT YOUR DEALER	

EXTRA 324F ALPIN / OPTIONAL EQUIPMENT



Complete No. 8



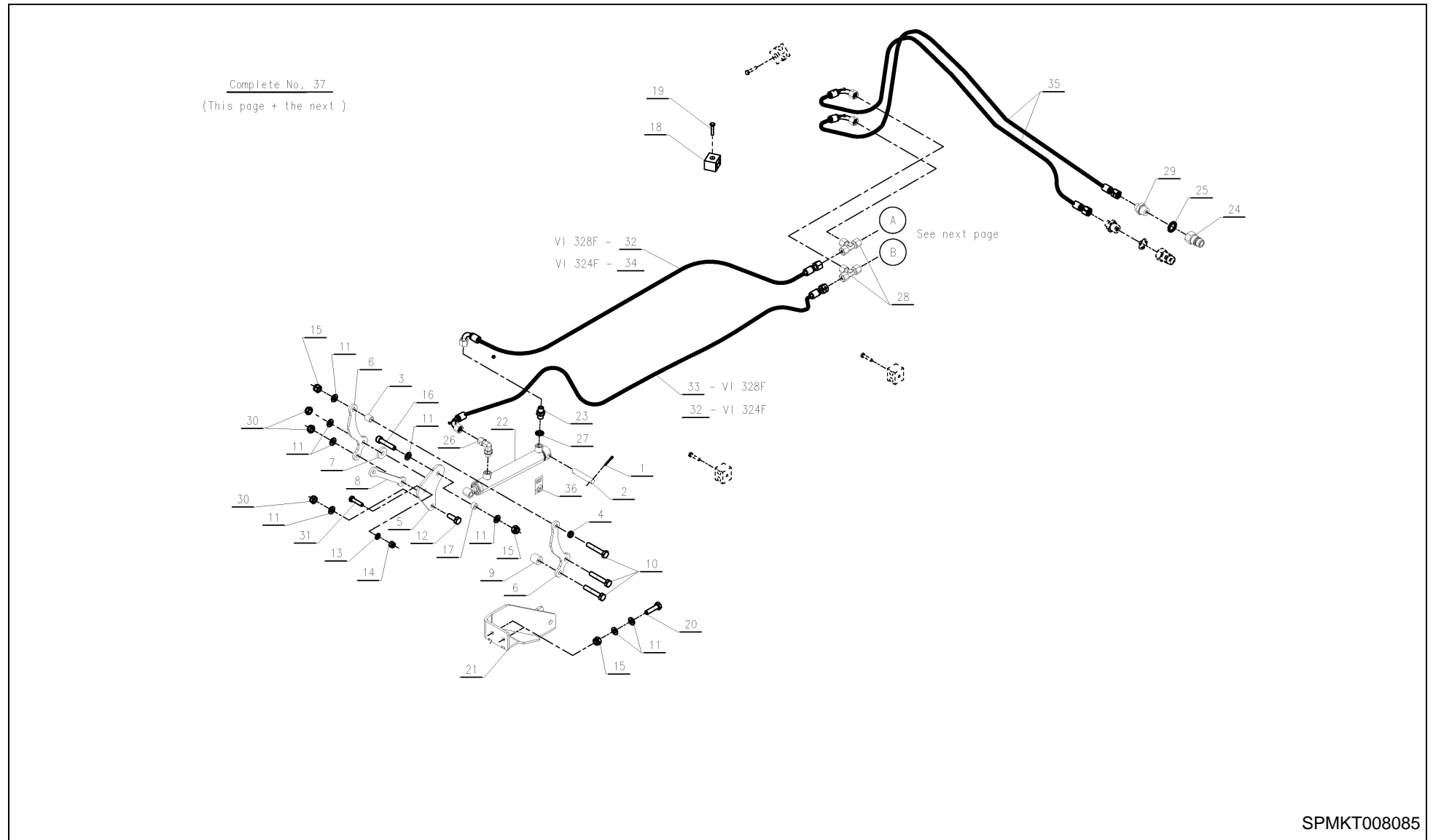
SPMKT008083



EXTRA 324F ALPIN / OPTIONAL EQUIPMENT

PosNo.	Part No.	Qty.	Description	Remark
1	A157574200	2	WGF-MIRROR 4.4755	
2	A157586586	1	TOP PART	
3	A157652786	1	LOWER PART ALPIN	
4	KG00355561	2	HEX. BOLT M10X55 8.8	
5	KG00474300	2	HEX. SCREW M10X30 8.8	
6	KG01067661	4	LOCK NUT M10 8	
7	KG01267461	6	WASHER M10	
8	ACCESSOIRE	1	PLEASE CONTACT YOUR DEALER	

EXTRA 324F ALPIN / OPTIONAL EQUIPMENT



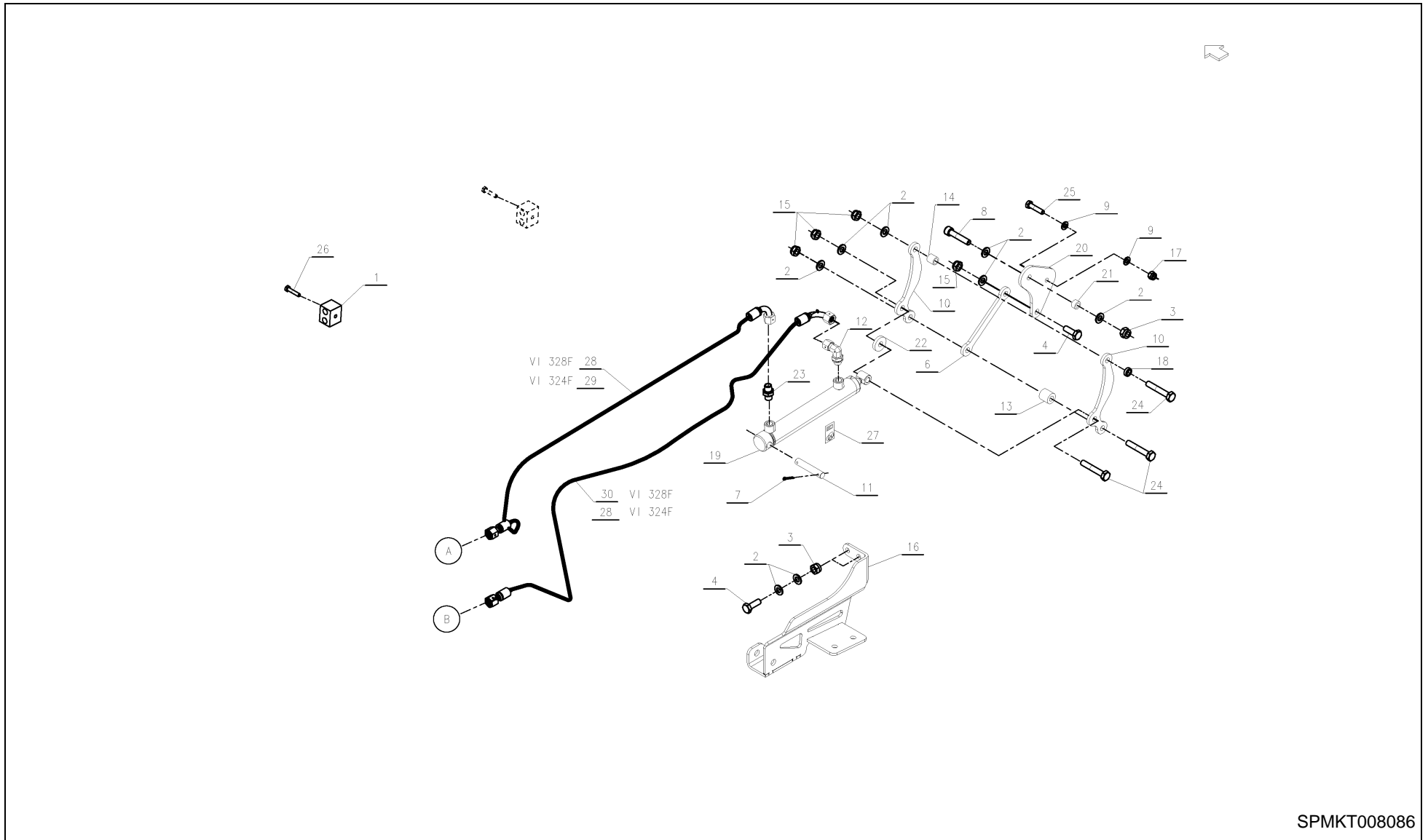
SPMKT008085



EXTRA 324F ALPIN / OPTIONAL EQUIPMENT

PosNo.	Part No.	Qty.	Description	Remark
1	KG01249761	2	SPLIT PIN 3.2X20 ST	
2	A151839261	1	CLEVIS PIN	
3	A158701661	1	Ø48 BUSHING FOR BELT TENSIONER	
4	KT3130700061	1	RING	
5	A158698361	1	MOUNTING PLATE	
6	A158697961	2	HINGE ROD	
7	A151941861	1	DISTANCE BUSHING	
8	A158698061	1	PUSH ROD	
9	A158700261	1	LOWER BUSHING	
10	KG00355661	3	HEX. BOLT M10X60 8.8	
11	KG01267461	10	WASHER M10	
12	KG00474361	1	HEX. SCREW M10X30 8.8	
13	KG01267361	2	WASHER M8	
14	KG01064061	1	LOCK NUT M8 8	
15	KG01064161	8	LOCK NUT M10 8	
16	KG00547361	1	CHEESE HEAD SCREW M10X50 8.8	
17	A144101361	1	BUSH	
18	KT99408930	4	PIPE CLIP, DOUBLE Ø12-Ø12	
19	KG00350861	4	HEX. BOLT M6X30 8.8	
20	KG00355261	2	HEX. BOLT M10X40 8.8	
21	A158703586	1	LH CYLINDER BRACKET	
22	A157662086	1	CYLINDER 28/16 HUB 166 EL 270,5	
23	A151878200	1	ADAPTOR RESTR. 1/4"BSP - 1/4"BSP - 0.6MM	
24	KT60149000	2	QUICK COUPLING 1/2"	
25	KT99428518	2	SEALING WASHER 1/2" X 28,6 MM	
26	A157735000	1	ANGULAR ROTARY 1/4" BSP CYL	
27	KT99428514	1	BONDED SEAL - DIM. 13,74/20,57-2,03	
28	A144154800	2	ADJUST L-CONNECTION 10L	
29	A144934600	2	ADAPTOR 10L-1/2"	
30	KG01072361	3	LOCK NUT M10 8	
31	KG00353161	1	HEX. BOLT M8X35 8.8	
32	A151931400	1	HOSE 1/4" 2SC - 1100MM 10DFOL-1/4"BSP90	
33	A157751900	1	HOSE 1/4" 2SC 1300MM - 10DFOL-1/4"BSP90	
34	A151848000	1	HOSE 1/4" 2SC - 920MM 10DFOL-1/4"BSP90	
35	A151709700	2	HOSE 1/4" 1700MM 10DFOL90 - 10DFOL	
36	A151951500	1	SEAL KIT FOR A151518486/A157662086	
37	ACCESSOIRE	1	PLEASE CONTACT YOUR DEALER	

EXTRA 324F ALPIN / OPTIONAL EQUIPMENT



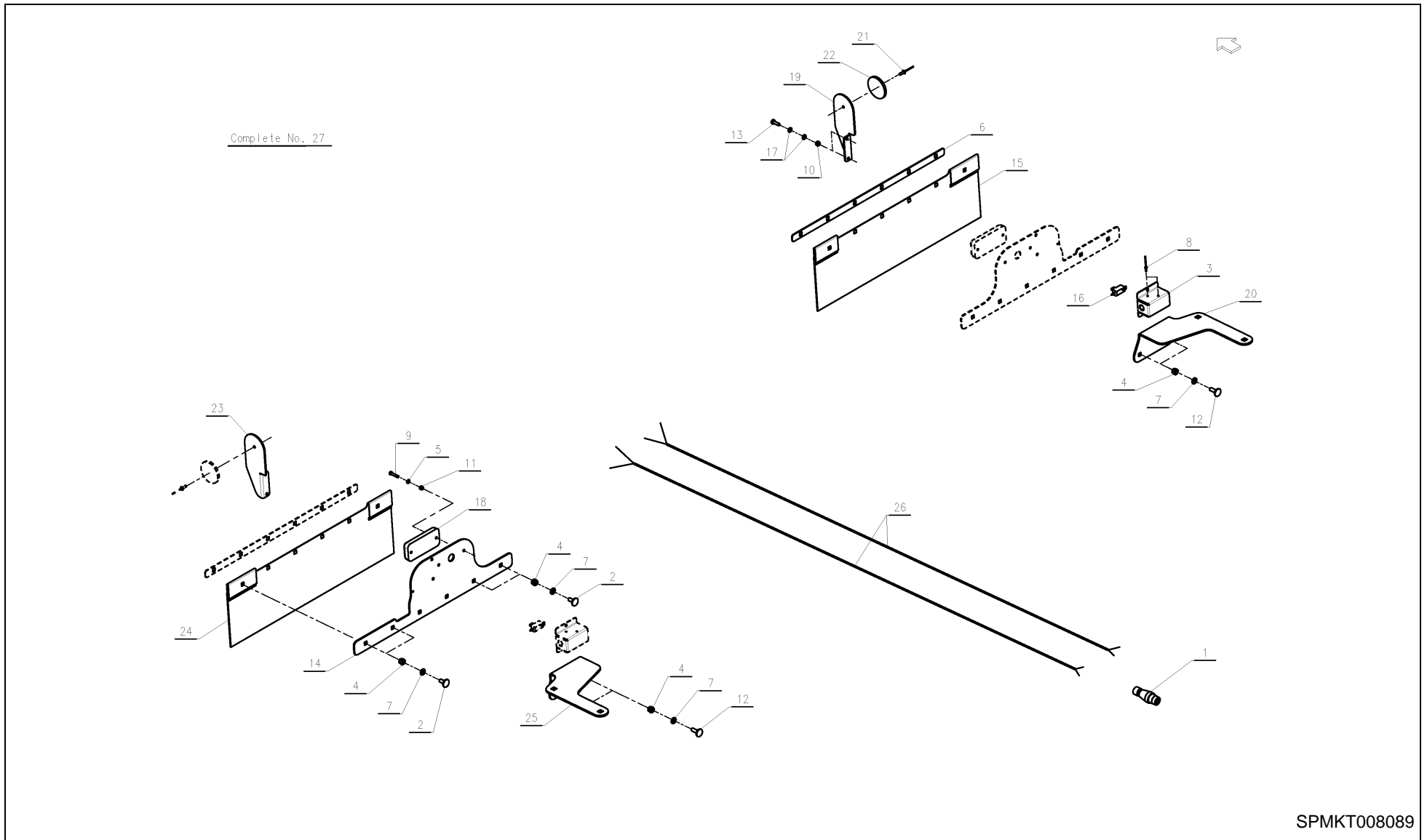
SPMKT008086



EXTRA 324F ALPIN / OPTIONAL EQUIPMENT

PosNo.	Part No.	Qty.	Description	Remark
1	KT99408930	2	PIPE CLIP, DOUBLE Ø12-Ø12	
2	KG01267461	6	WASHER M10	
3	KG01064161	1	LOCK NUT M10 8	
4	KG00474361	2	HEX. SCREW M10X30 8.8	
5	KG00355261	2	HEX. BOLT M10X40 8.8	
6	A158698061	1	PUSH ROD	
7	KG01249761	2	SPLIT PIN 3.2X20 ST	
8	KG00547361	1	CHEESE HEAD SCREW M10X50 8.8	
9	KG01267361	2	WASHER M8	
10	A158697961	2	HINGE ROD	
11	A151839261	1	CLEVIS PIN	
12	A157735000	1	ANGULAR ROTARY 1/4" BSP CYL	
13	A158700261	1	LOWER BUSHING	
14	A158701661	1	Ø48 BUSHING FOR BELT TENSIONER	
15	KG01072361	4	LOCK NUT M10 8	
16	A158701786	1	RH CYLINDER BRACKET	
17	KG01064061	1	LOCK NUT M8 8	
18	KT3130700061	1	RING	
19	A157662086	1	CYLINDER 28/16 HUB 166 EL 270,5	
20	A158698361	1	MOUNTING PLATE	
21	A144101361	1	BUSH	
22	A151941861	1	DISTANCE BUSHING	
23	A151878200	1	ADAPTOR RESTR. 1/4"BSP - 1/4"BSP - 0.6MM	
24	KG00355661	3	HEX. BOLT M10X60 8.8	
25	KG00353161	1	HEX. BOLT M8X35 8.8	
26	KG00350861	2	HEX. BOLT M6X30 8.8	
27	A151951500	1	SEAL KIT FOR A151518486/A157662086	
28	A151931400	1	HOSE 1/4" 2SC - 1100MM 10DFOL-1/4"BSP90	
29	A151848000	1	HOSE 1/4" 2SC - 920MM 10DFOL-1/4"BSP90	
30	A157751900	1	HOSE 1/4" 2SC 1300MM - 10DFOL-1/4"BSP90	

EXTRA 324F ALPIN / OPTIONAL EQUIPMENT



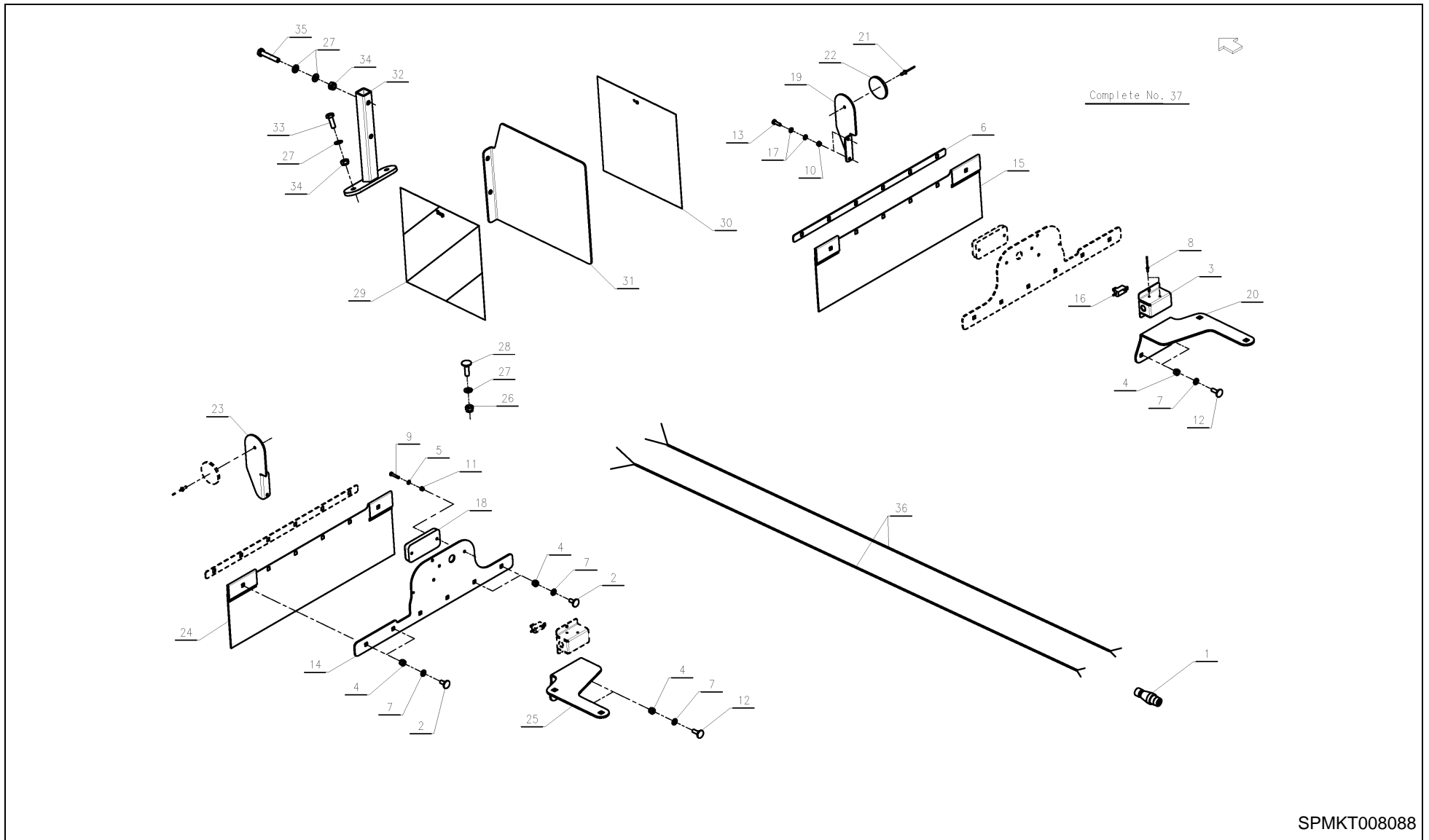
SPMKT008089



EXTRA 324F ALPIN / OPTIONAL EQUIPMENT

PosNo.	Part No.	Qty.	Description	Remark
1	KT99478196	1	7 PIN PLUG	
2	KG00639061	8	CARRIAGE BOLT M8X20 8.8	
3	A151792086	2	RESISTANCE PROTECTION	
4	KG01064061	12	LOCK NUT M8 8	
5	KG01267161	4	WASHER M5	
6	A157755286	2	MOUNTING STRIP	
7	KG01267361	12	WASHER M8	
8	KT99338031	4	RIVET 3,0X10 MM ALU/ST	
9	KG00701363	4	CHEESE HEAD SCREW M5X25 4.8	
10	KG01067361	4	LOCK NUT M6 8	
11	KG01063861	4	LOCK NUT M5 8	
12	KG00639161	4	CARRIAGE BOLT M8X25 8.8	
13	KG00468961	4	HEX. SCREW M6X20 8.8	
14	A158763586	2	BASE PLATE	
15	A157756300	1	RH LIGHT KIT TARPAULIN	
16	A144181000	2	25W/22 OHM RESISTOR	
17	KG01267261	8	WASHER M6	
18	A157823000	2	LED POSITION LAMP	
19	A158764286	1	RH BRACKET FOR REFLEX REV02	
20	A158763686	1	RH MOUNTING PLATE	
21	KT99338020	2	RIVET Ø4.8X14MM	
22	VF06214037	2	REFLEX, CIRCULAR YELLOW, ADHESIVE D60	
23	A158764486	1	LH BRACKET FOR REFLEX REV02	
24	A157754500	1	LH LIGHT KIT TARPAULIN	
25	A158764386	1	LH MOUNTING PLATE	
26	A157822800	2	CABLE	
27	ACCESSOIRE	1	PLEASE CONTACT YOUR DEALER	

EXTRA 324F ALPIN / OPTIONAL EQUIPMENT





EXTRA 324F ALPIN / OPTIONAL EQUIPMENT

PosNo.	Part No.	Qty.	Description	Remark
1	KT99478196	1	7 PIN PLUG	
2	KG00639061	8	CARRIAGE BOLT M8X20 8.8	
3	A151792086	2	RESISTANCE PROTECTION	
4	KG01064061	12	LOCK NUT M8 8	
5	KG01267161	4	WASHER M5	
6	A157755286	2	MOUNTING STRIP	
7	KG01267361	12	WASHER M8	
8	KT99338031	4	RIVET 3,0X10 MM ALU/ST	
9	KG00701363	4	CHEESE HEAD SCREW M5X25 4.8	
10	KG01067361	4	LOCK NUT M6 8	
11	KG01063861	4	LOCK NUT M5 8	
12	KG00639161	4	CARRIAGE BOLT M8X25 8.8	
13	KG00468961	4	HEX. SCREW M6X20 8.8	
14	A158763586	2	BASE PLATE	
15	A157756300	1	RH LIGHT KIT TARPAULIN	
16	A144181000	2	25W/22 OHM RESISTOR	
17	KG01267261	8	WASHER M6	
18	A157823000	2	LED POSITION LAMP	
19	A158764286	1	RH BRACKET FOR REFLEX REV02	
20	A158763686	1	RH MOUNTING PLATE	
21	KT99338020	2	RIVET Ø4.8X14MM	
22	VF06214037	2	REFLEX, CIRCULAR YELLOW, ADHESIVE D60	
23	A158764486	1	LH BRACKET FOR REFLEX REV02	
24	A157754500	1	LH LIGHT KIT TARPAULIN	
25	A158764386	1	LH MOUNTING PLATE	
26	KG01064161	1	LOCK NUT M10 8	
27	KG01267461	8	WASHER M10	
28	KG00641661	1	CARRIAGE BOLT M10X35 8.8	
29	VF16647196	1	SIGN. FOIL TYP3 282X282 1SID.POINT LEFT	
30	VF16643036	1	SIGN. FOIL TYP3 282X282 1SID.POINT RIGHT	
31	A158770086	1	RH BACKING PLATE	
32	A157652786	1	LOWER PART ALPIN	
33	KG00474300	2	HEX. SCREW M10X30 8.8	
34	KG01067661	4	LOCK NUT M10 8	
35	KG00355661	2	HEX. BOLT M10X60 8.8	
36	A157822800	2	CABLE	
37	ACCESSOIRE	1	PLEASE CONTACT YOUR DEALER	

EXTRA 324F ALPIN / Part No Index



Part No.	Page	Pos No	Part No.	Page	Pos No	Part No.	Page	Pos No	Part No.	Page	Pos No
A100026862	4	14	A144181000	22	16	A157114400	16	3	A157791561	2	16
A100026862	6	5	A144181000	23	16	A157116800	5	4	A157822800	22	26
A132077286	8	22	A144413686	7	26	A157284386	5	10	A157822800	23	36
A132077286	9	22	A144934600	20	29	A157332200	5	19	A157823000	22	18
A132090086	11	21	A147444486	3	26	A157332200	16	4	A157823000	23	18
A132090086	12	18	A147852361	2	11	A157334400	5	15	A157959586	3	27
A132090100	11	19	A147859386	3	3	A157334400	16	5	A158011786	4	3
A132090100	12	22	A151545562	16	1	A157502600	2	14	A158309386	1	4
A132090200	11	23	A151709700	20	35	A157574200	19	1	A158330361	1	5
A132090200	12	21	A151792086	22	3	A157582500	7	23	A158340986	2	13
A132192886	10	7	A151792086	23	3	A157586586	19	2	A158357086	1	6
A132217294	10	6	A151823361	1	1	A157617530	2	18	A158357186	1	7
A132446961	8	20	A151839261	20	2	A157617730	2	19	A158430386	1	8
A132446961	9	20	A151839261	21	11	A157652786	19	3	A158464886	12	1
A132614661	8	29	A151848000	20	34	A157652786	23	32	A158465086	11	6
A132614661	9	29	A151848000	21	29	A157662086	20	22	A158479186	12	24
A132633361	8	28	A151878200	20	23	A157662086	21	19	A158481186	11	1
A132633361	9	28	A151878200	21	23	A157672486	1	2	A158577886	1	9
A132652286	3	30	A151907461	4	17	A157672586	1	3	A158580261	1	10
A132874300	10	11	A151909486	4	12	A157695100	2	5	A158681000	13	8
A132874300	11	3	A151909686	4	15	A157696161	2	4	A158689800	13	9
A132874300	12	2	A151921186	3	1	A157735000	20	26	A158689900	13	10
A142726800	6	25	A151931400	20	32	A157735000	21	12	A158690000	13	11
A142726800	7	25	A151931400	21	28	A157751900	20	33	A158697961	20	6
A144027686	18	7	A151938094	5	9	A157751900	21	30	A158697961	21	10
A144059586	8	13	A151941861	20	7	A157752586	11	24	A158698061	20	8
A144059586	9	13	A151941861	21	22	A157752586	12	23	A158698061	21	6
A144101361	20	17	A151951500	20	36	A157754500	22	24	A158698361	20	5
A144101361	21	21	A151951500	21	27	A157754500	23	24	A158698361	21	20
A144143930	7	28	A157049730	7	31	A157755286	22	6	A158700261	20	9
A144144030	7	27	A157113200	5	18	A157755286	23	6	A158700261	21	13
A144154800	20	28	A157113200	16	2	A157756300	22	15	A158701661	20	3
A144155661	3	28	A157114400	5	14	A157756300	23	15	A158701661	21	14

EXTRA 324F ALPIN / Part No Index



Part No.	Page	Pos No	Part No.	Page	Pos No	Part No.	Page	Pos No	Part No.	Page	Pos No
A158701786	21	16	ACCESSOIRE	20	37	KG00474461	12	15	KG00641561	11	16
A158703586	20	21	ACCESSOIRE	22	27	KG00474561	3	4	KG00641561	12	16
A158707730	3	16	ACCESSOIRE	23	37	KG00476261	7	10	KG00641561	13	3
A158708486	12	11	KG00350861	20	19	KG00476561	4	23	KG00641661	3	21
A158708586	11	2	KG00350861	21	26	KG00476561	5	3	KG00641661	23	28
A158736961	16	6	KG00351361	11	20	KG00476561	6	21	KG00641761	3	17
A158742561	16	7	KG00351361	12	20	KG00476761	1	11	KG00641961	11	18
A158742661	16	8	KG00353161	20	31	KG00476761	16	9	KG00641961	12	17
A158750686	5	13	KG00353161	21	25	KG00480061	3	14	KG00642061	11	15
A158750786	3	2	KG00353961	4	21	KG00481561	1	12	KG00642061	12	12
A158763586	22	14	KG00355261	20	20	KG00481561	2	3	KG00642161	10	5
A158763586	23	14	KG00355261	21	5	KG00542161	7	2	KG00642261	10	4
A158763686	22	20	KG00355561	19	4	KG00545061	3	23	KG00645061	1	13
A158763686	23	20	KG00355661	20	10	KG00545061	8	1	KG00645161	4	18
A158764286	22	19	KG00355661	21	24	KG00545061	9	1	KG00646161	2	2
A158764286	23	19	KG00355661	23	35	KG00547361	20	16	KG00701363	22	9
A158764386	22	25	KG00358761	4	20	KG00547361	21	8	KG00701363	23	9
A158764386	23	25	KG00468961	22	13	KG00595400	7	22	KG00701463	3	25
A158764486	22	23	KG00468961	23	13	KG00595400	8	31	KG00861861	2	7
A158764486	23	23	KG00469261	3	20	KG00595400	9	31	KG01043361	4	10
A158766986	5	11	KG00471761	5	8	KG00596200	8	2	KG01052100	4	13
A158770086	23	31	KG00471961	3	31	KG00596200	9	2	KG01052161	8	3
ACCESSOIRE	16	16	KG00471961	5	7	KG00596300	8	27	KG01052161	9	3
ACCESSOIRE	16	17	KG00472261	11	11	KG00596300	9	27	KG01052361	4	16
ACCESSOIRE	16	18	KG00472261	12	7	KG00596700	8	26	KG01058161	4	19
ACCESSOIRE	16	19	KG00474261	6	4	KG00596700	9	26	KG01063861	22	11
ACCESSOIRE	16	20	KG00474300	19	5	KG00596800	4	8	KG01063861	23	11
ACCESSOIRE	17	17	KG00474300	23	33	KG00639061	22	2	KG01064061	2	6
ACCESSOIRE	18	10	KG00474361	18	5	KG00639061	23	2	KG01064061	3	24
ACCESSOIRE	18	11	KG00474361	20	12	KG00639161	9	35	KG01064061	4	2
ACCESSOIRE	18	8	KG00474361	21	4	KG00639161	22	12	KG01064061	5	6
ACCESSOIRE	18	9	KG00474461	10	1	KG00639161	23	12	KG01064061	11	9
ACCESSOIRE	19	8	KG00474461	11	17	KG00641461	17	11	KG01064061	12	6

EXTRA 324F ALPIN / Part No Index



Part No.	Page	Pos No	Part No.	Page	Pos No	Part No.	Page	Pos No	Part No.	Page	Pos No
KG01064061	20	14	KG01249761	20	1	KG01273961	1	17	KT5513600094	9	24
KG01064061	21	17	KG01249761	21	7	KG01273961	2	1	KT5513700086	8	11
KG01064061	22	4	KG01267161	22	5	KG01273961	4	7	KT5513700086	9	11
KG01064061	23	4	KG01267161	23	5	KG01401300	6	24	KT5513910086	8	12
KG01064161	3	5	KG01267261	3	19	KG01477900	4	9	KT5513910086	9	12
KG01064161	8	4	KG01267261	22	17	KG01799800	6	7	KT5514500086	7	1
KG01064161	9	4	KG01267261	23	17	KG01840800	7	17	KT5515300086	18	6
KG01064161	10	3	KG01267361	2	12	KG01840900	7	14	KT5517400061	9	36
KG01064161	11	14	KG01267361	3	13	KG01904300	8	21	KT5517400061	17	7
KG01064161	12	13	KG01267361	4	1	KG01904500	9	21	KT55177000	9	42
KG01064161	13	1	KG01267361	5	1	KG01904500	17	1	KT55177000	17	14
KG01064161	18	3	KG01267361	11	8	KG02004100	14	6	KT5518500086	9	33
KG01064161	20	15	KG01267361	12	5	KG02004100	15	6	KT5518500086	17	2
KG01064161	21	3	KG01267361	20	13	KG02008300	14	11	KT5524000086	18	2
KG01064161	23	26	KG01267361	21	9	KG02008300	15	11	KT5526900061	9	32
KG01064261	1	14	KG01267361	22	7	KT1955400086	3	8	KT5526900061	17	3
KG01067361	3	18	KG01267361	23	7	KT3130700061	20	4	KT5535000086	18	1
KG01067361	11	22	KG01267461	3	6	KT3130700061	21	18	KT5539800061	8	19
KG01067361	12	19	KG01267461	8	6	KT38218000	9	39	KT5539800061	9	19
KG01067361	22	10	KG01267461	9	6	KT38218000	17	8	KT5539800061	17	6
KG01067361	23	10	KG01267461	10	2	KT3847820086	16	11	KT55641100	7	9
KG01067561	8	5	KG01267461	11	13	KT3847920086	16	12	KT55644000	7	12
KG01067561	9	5	KG01267461	12	14	KT42176000	16	13	KT55646100	7	13
KG01067661	19	6	KG01267461	13	2	KT45429000	8	7	KT5564900061	7	3
KG01067661	23	34	KG01267461	17	12	KT45429000	9	7	KT55650000	7	4
KG01067961	1	15	KG01267461	18	4	KT4543100061	8	8	KT55651000	7	5
KG01067961	2	17	KG01267461	19	7	KT4543100061	9	8	KT55670000	4	22
KG01072361	17	13	KG01267461	20	11	KT4837700061	2	10	KT55670000	5	2
KG01072361	20	30	KG01267461	21	2	KT5512510086	8	9	KT55670000	7	11
KG01072361	21	15	KG01267461	23	27	KT5512510086	9	9	KT55706100	7	29
KG01073361	2	8	KG01267561	1	16	KT5512710094	8	10	KT55710200	7	30
KG01099362	6	17	KG01267561	4	6	KT5512710094	9	10	KT5572910061	7	16
KG01111162	2	9	KG01267561	16	10	KT5513600094	8	24	KT55766000	7	15

EXTRA 324F ALPIN / Part No Index



Part No.	Page	Pos No	Part No.	Page	Pos No	Part No.	Page	Pos No	Part No.	Page	Pos No
KT55767000	7	20	KT92910000	6	9	KT99250989	6	22	KT99420109	7	18
KT55769000	9	43	KT99106225	6	16	KT99251267	6	11	KT99420125	7	24
KT55769000	17	15	KT99235524	14	8	KT99251290	6	2	KT99420286	7	19
KT5577300061	9	38	KT99235524	15	8	KT99251294	6	19	KT99428514	20	27
KT5577300061	17	9	KT99244331	14	1	KT99251295	6	20	KT99428518	20	25
KT5611040001	8	25	KT99244332	15	1	KT99251297	6	14	KT99450725	3	29
KT5611040001	9	25	KT99244506	4	5	KT99251298	6	23	KT99457134	7	32
KT5611090001	8	23	KT99244558	8	32	KT99251332	6	3	KT99457135	7	33
KT5611090001	9	23	KT99244558	9	40	KT99251336	6	18	KT99458109	7	6
KT56149000	8	14	KT99244584	14	4	KT99251340	6	12	KT99458527	5	17
KT56149000	9	14	KT99244584	15	4	KT99302819	7	21	KT99458529	5	12
KT5627100061	8	15	KT99244588	14	7	KT99308826	8	16	KT99458590	3	9
KT5627100061	9	15	KT99244588	15	7	KT99308826	9	34	KT99458708	13	6
KT56785000	8	33	KT99244589	14	10	KT99308832	9	16	KT99462633	7	7
KT56998000	9	41	KT99244589	15	10	KT99308832	17	4	KT99462718	7	8
KT56998000	17	16	KT99244592	14	12	KT99331901	9	37	KT99478196	22	1
KT60149000	20	24	KT99244592	15	12	KT99331901	17	10	KT99478196	23	1
KT6985700061	16	14	KT99244676	3	7	KT99331903	1	18	VF01142856	3	11
KT9062910061	4	4	KT99244676	8	30	KT99333832	8	18	VF01142856	5	5
KT92131000	4	11	KT99244676	9	30	KT99333832	9	18	VF01157382	14	9
KT9215300094	12	3	KT99244679	14	2	KT99333832	17	5	VF01157382	15	9
KT9215510086	12	10	KT99244679	15	2	KT99333833	3	22	VF06214037	22	22
KT9216910086	11	10	KT99244680	14	3	KT99333833	8	17	VF06214037	23	22
KT9217200094	11	4	KT99244681	14	5	KT99333833	9	17	VF06214690	13	5
KT9217900061	10	10	KT99244681	15	5	KT99333835	3	15	VF06215282	10	9
KT9217900061	11	5	KT99244682	14	13	KT99338020	22	21	VF06215282	11	7
KT9217900061	12	4	KT99244684	15	3	KT99338020	23	21	VF06215282	12	8
KT9218010061	11	12	KT99244685	15	13	KT99338031	22	8	VF16622430.61	13	4
KT9218010061	12	9	KT99250556	6	6	KT99338031	23	8	VF16643036	23	30
KT9218700086	3	10	KT99250583	6	8	KT99354142	6	10	VF16647196	23	29
KT9232410061	10	8	KT99250806	6	1	KT99408930	20	18	VF16649404	5	16
KT92534000	13	7	KT99250946	6	15	KT99408930	21	1	VF16660164	3	12
KT9273500086	16	15	KT99250982	6	13	KT99417025	2	15			



EXTRA 324F ALPIN

KT507027 < Mach. ID <=

Kverneland Group Kerteminde AS
Taarupstrandvej 25
DK-5300 Kerteminde
Denmark
+45 65 19 19 00
+45 65 19 19 99

© Kverneland Group

All rights reserved. No parts of this book may be reproduced, stored in a database or retrieval system, or published in any form or in any way, electronically, mechanically, optically, by print, photo print, microfilm (including micro and macro fiche), or any other means, including all video and CD systems, without prior written permission from the publisher.

Print date: 2022-03-07

