

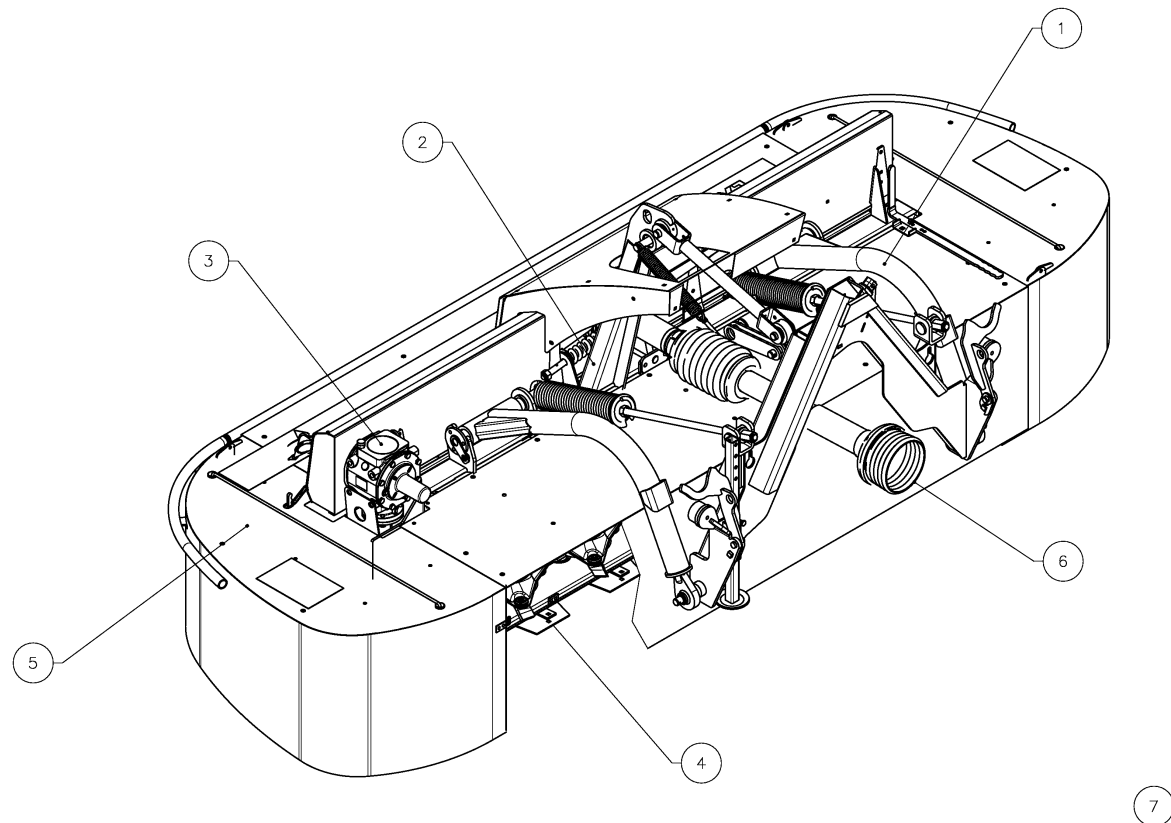
EXTRA 324F

Spare Parts Manual

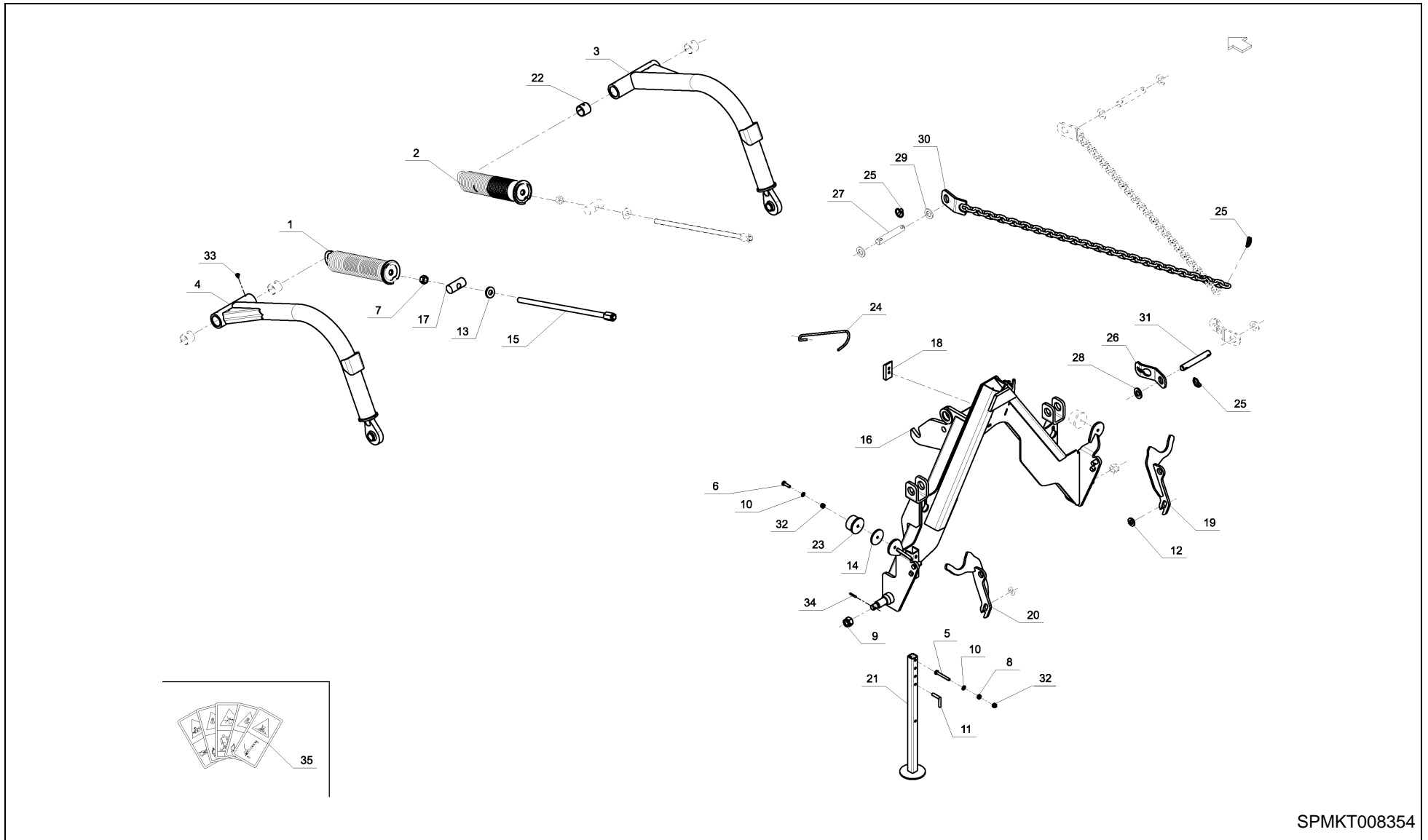
Article number: A132899240_02-2022-08
Language: EN
Production year (from): 2022
Prod. Series nr (from):
KT509400 < Mach. ID <=

EXTRA 324F / Table of Contents

PosNo.	Assembly group	Page
1	LINKAGE	1
1	LINKAGE	2
2	GUARD	3
2	MAIN FRAME	4
2	MAIN FRAME, TRANSMISSION	5
3	MAIN GEAR BOX, COMPLETE	6
4	CUTTERBAR, COMPLETE	7
4	TRANSMISSION, CUTTERBAR	8
4	TRANSMISSION, CUTTERBAR + EXPRESS	9
5	GUARD	10
5	GUARD	11
6	PTO SHAFT	12
7	OPTIONAL EQUIPMENT	13
7	OPTIONAL EQUIPMENT	14
7	OPTIONAL EQUIPMENT	15
7	OPTIONAL EQUIPMENT	16
7	OPTIONAL EQUIPMENT	17
7	OPTIONAL EQUIPMENT	18
7	OPTIONAL EQUIPMENT	19
7	OPTIONAL EQUIPMENT	20



EXTRA 324F / LINKAGE



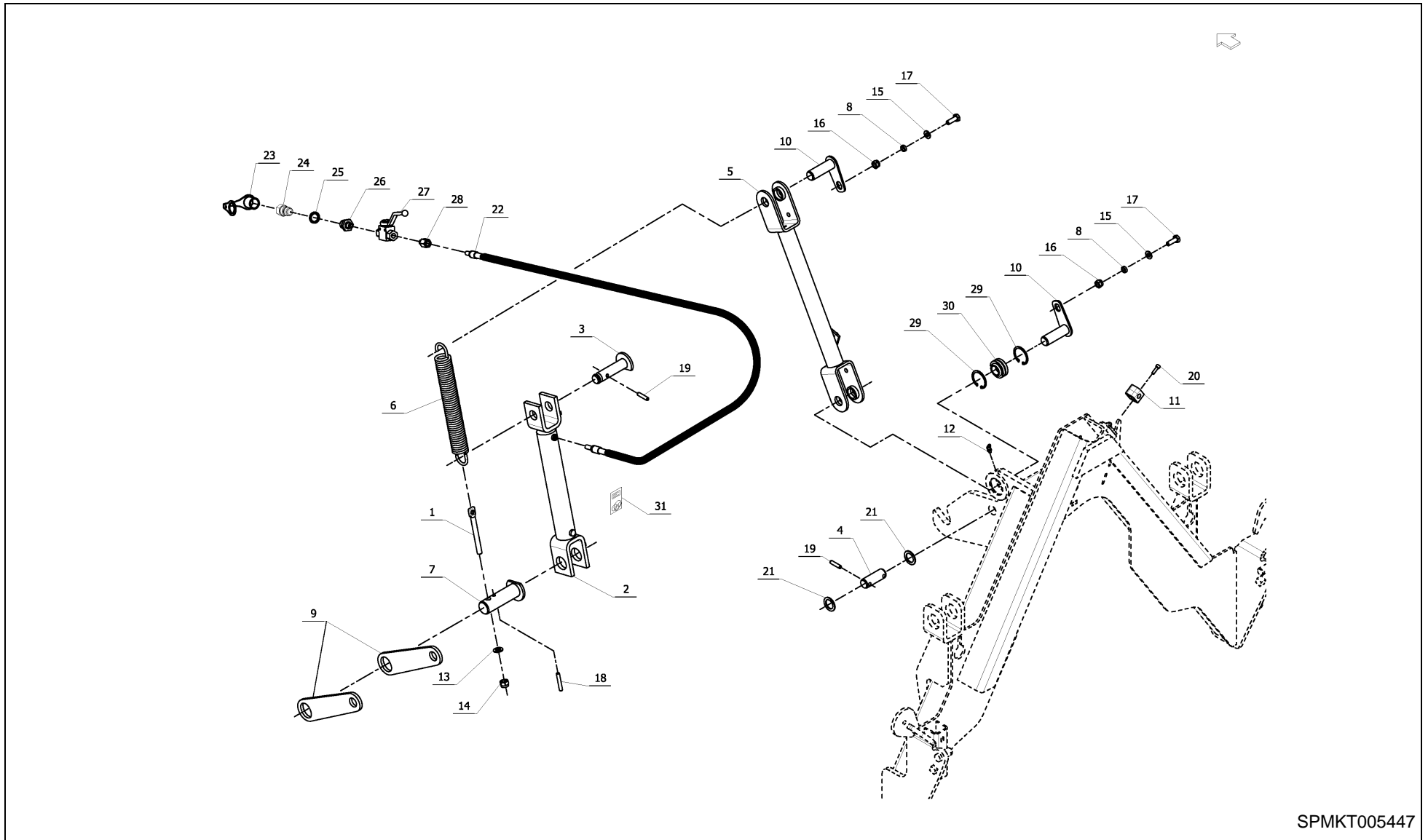
SPMKT008354



EXTRA 324F / LINKAGE

PosNo.	Part No.	Qty.	Description	Remark
1	KT9212100063	1	SPRING COMPLETE N=32 - Ø12MM	
2	KT9212200063	1	SPRING COMPLETE N=38 - Ø10MM	
3	A132582786	1	ARM RH	
4	A132582886	1	ARM LH	
5	KG00356061	1	HEX. BOLT M10X80 8.8	
6	KG00474461	2	HEX. SCREW M10X35 8.8	
7	KG01052661	2	HEX. NUT M22 8	
8	KG01052061	1	HEX. NUT M10 8	
9	KT99307973	2	SLOTTED NUT M24	
10	KG01267461	3	WASHER M10	
11	KT63438000	1	COTTER BOLT	
12	KT5882400061	2	WASHER	
13	KT68312000	2	WASHER (DISC)	
14	KT70122000	2	WASHER	
15	KT9051410061	2	SPINDLE	
16	KT9210200086	1	LINKAGE	
17	KT9211700061	2	SHAFT	
18	KT9211800061	1	PELLET	
19	KT9211910086	1	SUPPORT LEG, RH	
20	KT9212010086	1	SUPPORT LEG, LH	
21	KT9212800086	1	SUPPORT LEG	
22	KT99158088	4	GLACIER BUSHING PM 4545 DX	
23	KT99450758	2	RUBBER DAMPER	
24	VNB1326493	1	HOOK	
25	KT42176000	8	LINCH PIN Ø10MM	
26	KT9089800061	2	BRACKET	
27	A132877061	2	PIN	
28	KT9249400061	2	WASHER Ø50/Ø26	
29	A132877561	4	WASHER Ø50/Ø29	
30	KT6755820061	2	CHAIN	
31	KT9249300061	2	PIN	
32	KG01064161	4	LOCK NUT M10 8	
33	KT99417027	4	GREASE NIPPEL M6 TYPE 3 DS 6004	
34	A100031462	2	TENSION PIN 6X36 DIN EN ISO 8752 DACROM	
35	KT92378000	1	DECAL KIT	

EXTRA 324F / LINKAGE

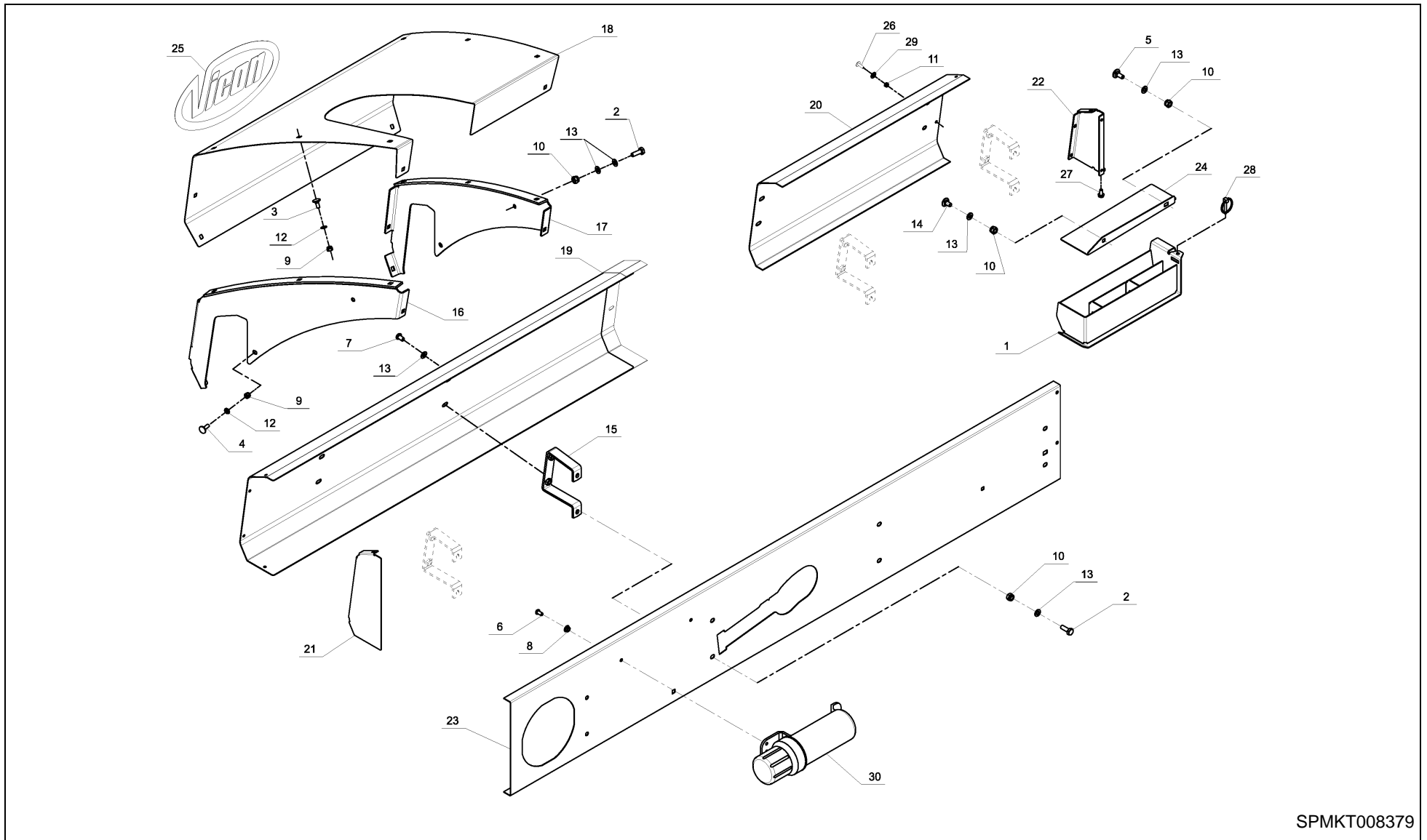




EXTRA 324F / LINKAGE

PosNo.	Part No.	Qty.	Description	Remark
1	KT33412200	1	SPRING TIGHTENER	
2	KT9199900086	1	HYDRAULIC CYLINDER	
3	KT9212300061	1	COTTERBOLT	
4	KT9211500061	1	BOLT	
5	KT9210700086	1	ARM	
6	KT9211400063	1	SPRING	
7	KT9212400061	1	COTTERBOLT	
8	KT3130700061	2	RING	
9	KT9211310061	2	PLATE	
10	KT9148500061	2	BOLT	
11	KT99408952	4	TUBE SUPPORT SINGLE	
12	KT99417025	1	GREASE NIPPLE M6 TYPE I DS 6004	
13	KG01267561	1	WASHER M12	
14	KG01064261	1	LOCK NUT M12 8	
15	KG01267461	2	WASHER M10	
16	KG01064161	2	LOCK NUT M10 8	
17	KG00474361	2	HEX. SCREW M10X30 8.8	
18	KG01192062	1	TENSION PIN 8X50	
19	KG01191762	3	TENSION PIN 8X36	
20	KG00543461	4	CHEESE HEAD SCREW M6X20 8.8	
21	VF06214313	2	WASHER 26X38X2 GALV.	
22	KT92221000	1	HYDRAULIC HOSE L=2000MM	
23	KT60245000	1	PROTECTION CAP BLUE	
24	KT60149000	1	QUICK COUPLING 1/2"	
25	KT99428518	1	SEALING WASHER 1/2" X 28,6 MM	
26	KT99402350	1	ADAPTOR 1/2"-1/4"	
27	KT99407085	1	BALL VALVE 1/4"	
28	KT2424200061	1	NOZZLE Ø1,8 MM	
29	KG01128762	2	CIRCLIP-B 47 X 1.75	
30	KT99160045	1	BEARING Ø 25 GE25FO 2RS	
31	KT99413223	1	GASKET KIT FOR HYDRAULIC CYLINDER	

EXTRA 324F / GUARD



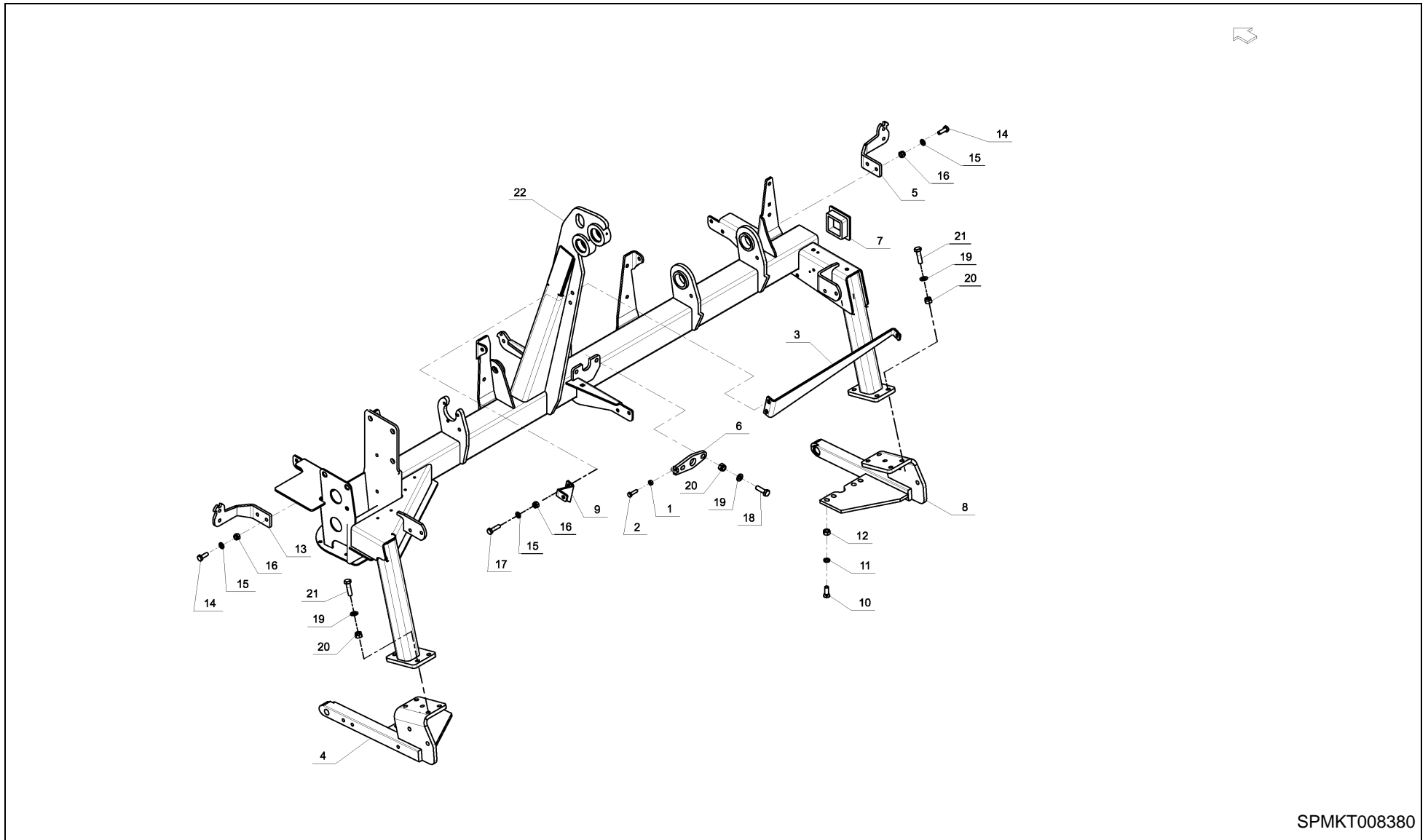
SPMKT008379



EXTRA 324F / GUARD

PosNo.	Part No.	Qty.	Description	Remark
1	A132863094	1	TOOL BOX	
2	KG00474361	12	HEX. SCREW M10X30 8.8	
3	KG00639061	6	CARRIAGE BOLT M8X20 8.8	
4	KG00639161	6	CARRIAGE BOLT M8X25 8.8	
5	KG00641461	1	CARRIAGE BOLT M10X25 8.8	
6	KG00731263	2	CHEESE HEAD SCREW M8X16 10.9	
7	KG00732363	8	CHEESE HEAD SCREW M10X16 10.9	
8	KG01061261	2	TENSILOCK NUT M8 8	
9	KG01064061	6	LOCK NUT M8 8	
10	KG01064161	16	LOCK NUT M10 8	
11	KG01067361	6	LOCK NUT M6 8	
12	KG01267361	6	WASHER M8	
13	KG01267461	28	WASHER M10	
14	A151511461	1	CARRIAGE BOLT M10-20	
15	KT9213200061	4	BRACKET	
16	KT9213500094	1	GUARD LH	
17	KT9213600094	1	GUARD RH	
18	KT9213700094	1	GUARD	
19	A151864294	1	LH BELT GUARD 2,4M	
20	A132186994	1	GUARD RH	
21	A151853694	1	BELT GUARD END PLATE	
22	KT9216010094	1	GUARD, RH	
23	A132191294	1	GUARD	
24	KT9216520086	1	PLATE	
25	KT90757000	1	DECAL "VICON"	
26	KT99316108	6	SKRUE HALVR.HOVED M6X12 I7380 10.9-A2	
27	KT99328865	2	SELF TAPPING HEX.SCREW M8X16 A3C DIN7500	
28	KT99331901	1	LINCH PIN Ø 6	
29	KT99333100	6	WASHER (DISC)	
30	VF16660164	1	DOCUMENT BOX D=89 MM	

EXTRA 324F / MAIN FRAME



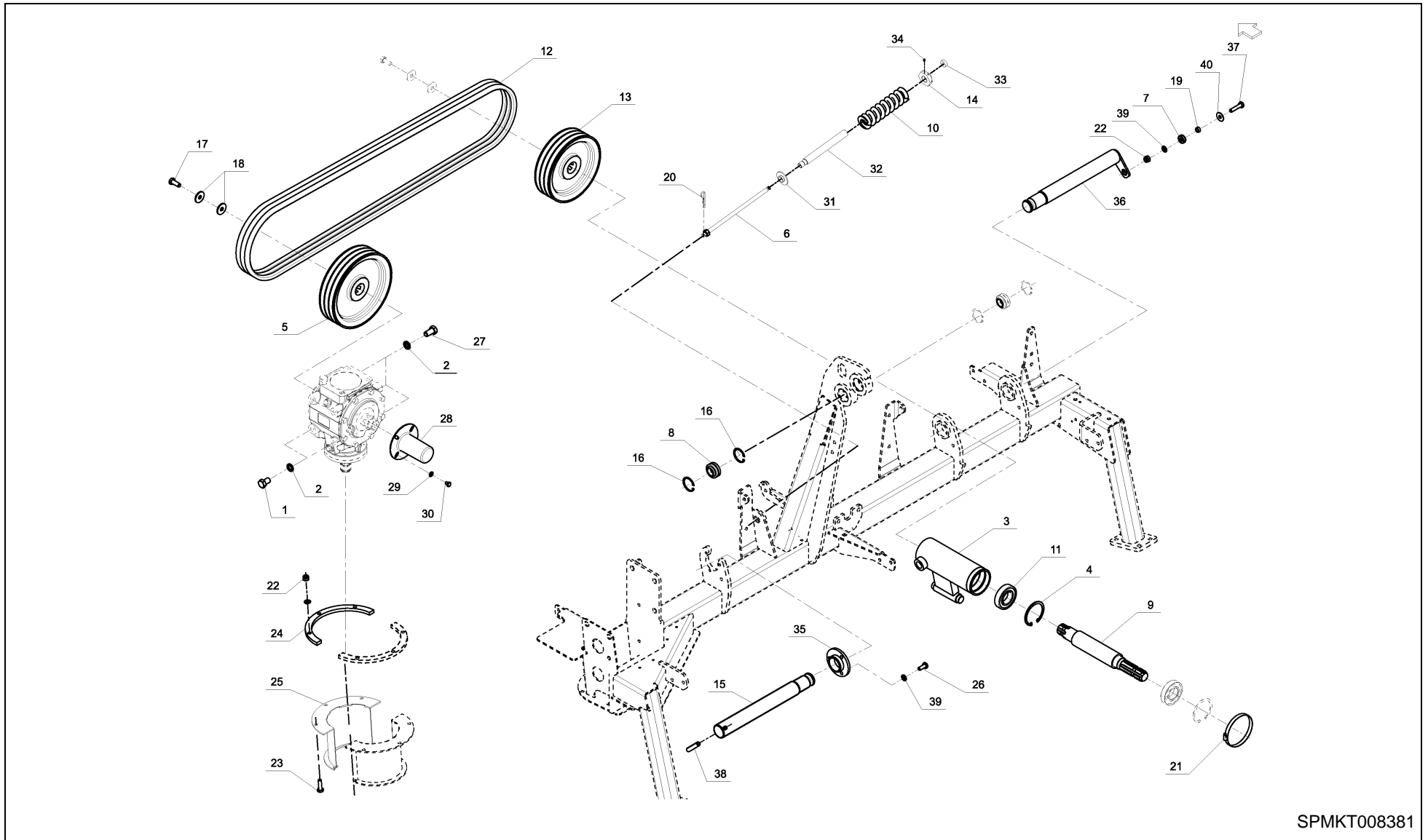
SPMKT008380



EXTRA 324F / MAIN FRAME

PosNo.	Part No.	Qty.	Description	Remark
1	KG01051961	1	HEX. NUT M8 8	
2	KG00472261	1	ML2. SCREW M8X30 8.8	
3	KT9215710086	1	BRACKET, RH	
4	KT9218700086	1	BRACKET LH	
5	KT9249510086	1	BRACKET RH.	
6	A132712361	1	ADJUSTMENT BRACKET	
7	KT458590	1	PLASTPROP MED FLADT HOVED 90X90	
8	KT1955400086	1	BRACKET	
9	KT9215610086	1	BRACKET, LH	
10	KT4543100061	8	PLOUGH BOLT M12X35	
11	KT99333833	8	NORD-LOCK WASHER NL12 (13,0X19,5X2,5)	
12	KG01052161	8	HEX. NUT M12 8	
13	KT9249610086	1	BRACKET LH.	
14	KG00474361	4	HEX. SCREW M10X30 8.8	
15	KG01267461	6	WASHER M10	
16	KG01064161	10	LOCK NUT M10 8	
17	KG00355261	2	HEX. BOLT M10X40 8.8	
18	KG00476761	2	HEX. SCREW M12X40 8.8	
19	KG01267561	10	WASHER M12	
20	KG01064261	10	LOCK NUT M12 8	
21	KG00357461	8	HEX. BOLT M12X45 8.8	
22	A132183786	1	MAIN FRAME 2,4 F	

EXTRA 324F / MAIN FRAME, TRANSMISSION



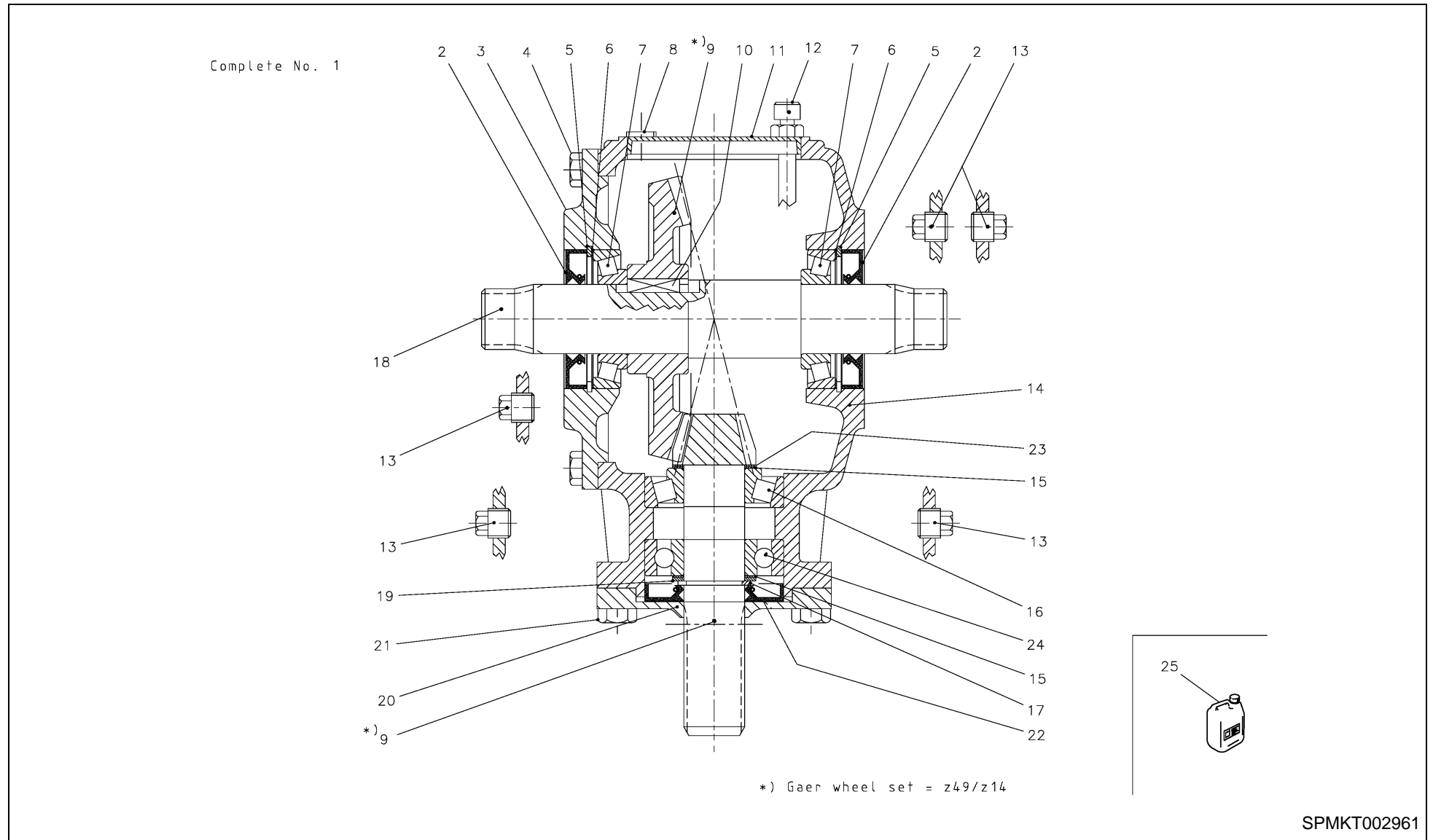
SPMKT008381



EXTRA 324F / MAIN FRAME, TRANSMISSION

PosNo.	Part No.	Qty.	Description	Remark
1	KG00479961	2	HEX. SCREW M16X25 8.8	
2	KT99333835	5	NORDLOCK LOCKING DISC 17X25,4X3,7 NL16	
3	KT9216800086	1	BEARING BRACKET	
4	A100026862	2	CIRCLIP B 80 X 2.5	
5	KT92106000	1	PULLEY 3SPB DW 255	
6	A132520861	1	ADJUSTMENT BOLT FOR BELT TENSIONER	
7	KT39688000	1	WASHER	
8	KT99160045	2	BEARING Ø 25 GE25FO 2RS	
9	KT92131000	1	SHAFT 1 3/8" Z=6	
10	KT9216600063	1	SPRING	
11	KG01477900	2	BALL BEARING 6208-2RS C3	
12	A132701100	1	BELT SPB LD 2664 (SET OF 3 PCS)	
13	KT91471000	1	V-BELT PULLEY 3SPB DW 225	
14	A132520661	1	PLUG FOR BELT TENSIONER	
15	A132723661	1	PIN FOR SUSPENSION	
16	KG01128762	4	CIRCLIP-B 47 X 1.75	
17	KG00476561	2	HEX. SCREW M12X30 8.8	
18	KT55670000	4	WASHER (DISC)	
19	KT9248000061	1	RING	
20	KT18339000	1	SPRING SPLIT	
21	KT99352040	1	HOSE BAND B12MM - SW7 (90-110) F1	
22	KG01064161	7	LOCK NUT M10 8	
23	KG00474461	6	HEX. SCREW M10X35 8.8	
24	A132042561	2	180DEG. 10MM SPACER	
25	A132116886	2	180DEG. GUARD ASSY HIGH CONE	
26	KG00474261	3	HEX. SCREW M10X25 8.8	
27	KG00480061	3	HEX. SCREW M16X30 8.8	
28	VF16624749.97	1	GUARD (BLACK)	
29	KG01267361	4	WASHER M8	
30	KG00471461	4	HEX. SCREW M8X10 8.8	
31	A132520561	1	Ø48 BUSHING FOR BELT TENSIONER	
32	A132520761	1	TUBE FOR BELT TENSIONER	
33	A151985900	1	NYLON BUSHING	
34	KG00932400	1	SET SCREW M4X6 45H	
35	KT9237900061	1	BUSH	
36	A132060761	1	PIVOT PIN	
37	KG00355361	1	HEX. BOLT M10X45 8.8	
38	VF01157382	1	ROLL PIN 10X65 EN ISO 8752 ZN.FL.	
39	KG01267461	10	WASHER M10	
40	KG01260361	1	WASHER M10X30 ST	

EXTRA 324F / MAIN GEAR BOX, COMPLETE

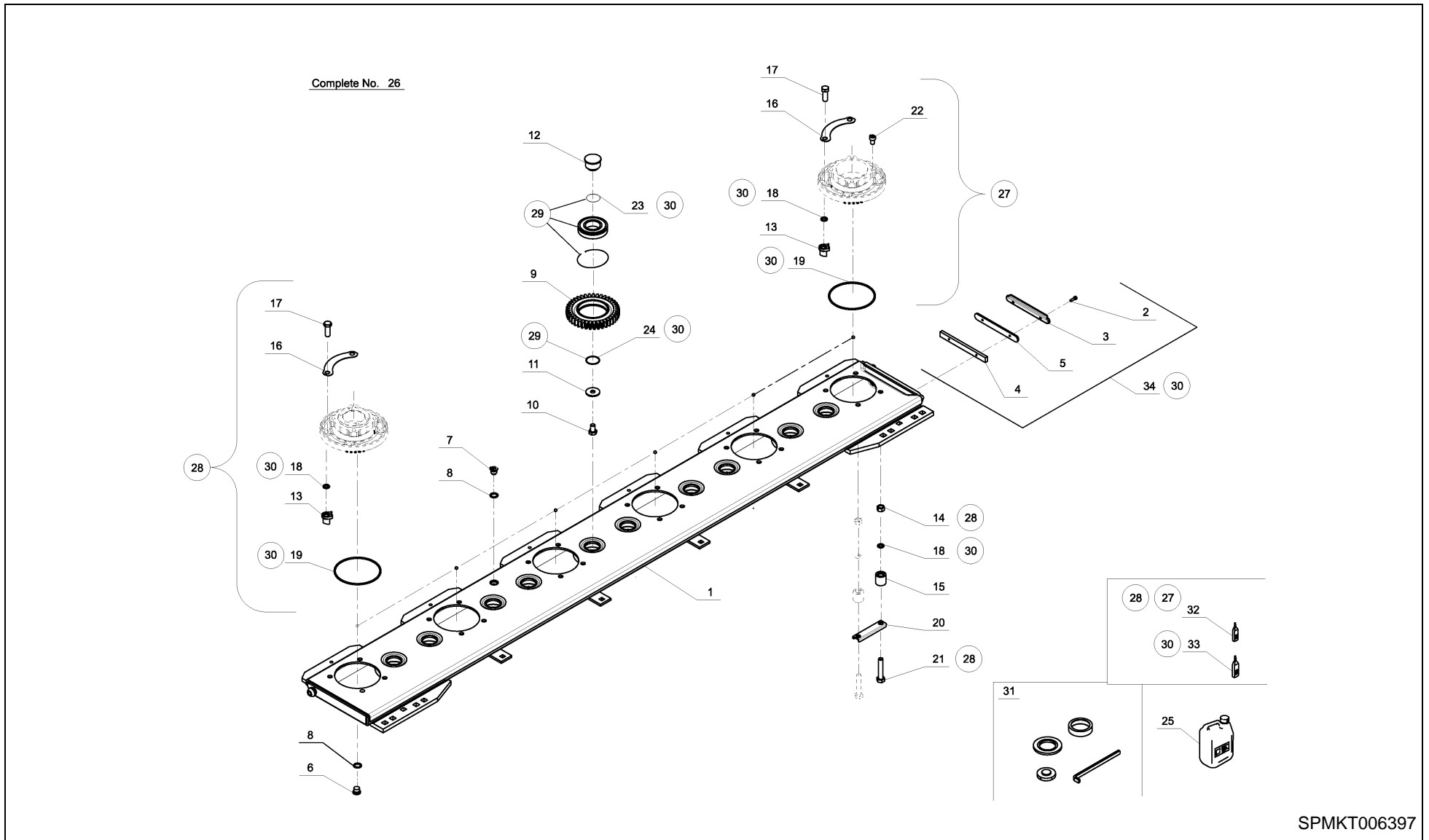




EXTRA 324F / MAIN GEAR BOX, COMPLETE

PosNo.	Part No.	Qty.	Description	Remark
1	KT99250806	1	GEAR BOX, COMPLETE	
2	KT99251290	2	DOUBLE LIP SEAL Ø40XØ80X12	
3	KT99251332	1	COVER	
4	KG00474261	8	HEX. SCREW M10X25 8.8	
5	A100026862	2	CIRCLIP B 80 X 2.5	
6	KT99250556	2	KIT WASHER (DISC) Ø79,7 - 4 PIECES	
7	KG01799800	2	TAPER ROLLER BEARING 30208	
8	KT99250583	1	PLUG	
9	KT92910000	1	GEAR WHEEL SET Z14/49	
10	KT99354142	1	KEY B12-8-35	
11	KT99251267	1	CAP 100X10	
12	KT99251340	1	DIPSTICK	
13	KT99250982	5	OIL PLUG 3/8"	
14	KT99251297	1	CASING	
15	KT99250946	2	WASHER Ø35,3-Ø48	
16	KT99106225	1	ROLLER BEARING 30307	
17	KG01099362	1	CIRCLIP-A 35 X 2.5	
18	KT99251336	1	SHAFT	
19	KT99251294	1	SHIM	
20	KT99251295	1	COVER	
21	KG00476561	4	HEX. SCREW M12X30 8.8	
22	KT99250989	1	SEAL RING	
23	KT99251298	1	SHIM Ø35,3X0,9	
24	KG01401300	1	BALL BEARING 6307	
25	A142726800	1	KVERNELAND GROUP CUTTERBAR OIL 5 LTR.	

EXTRA 324F / CUTTERBAR, COMPLETE



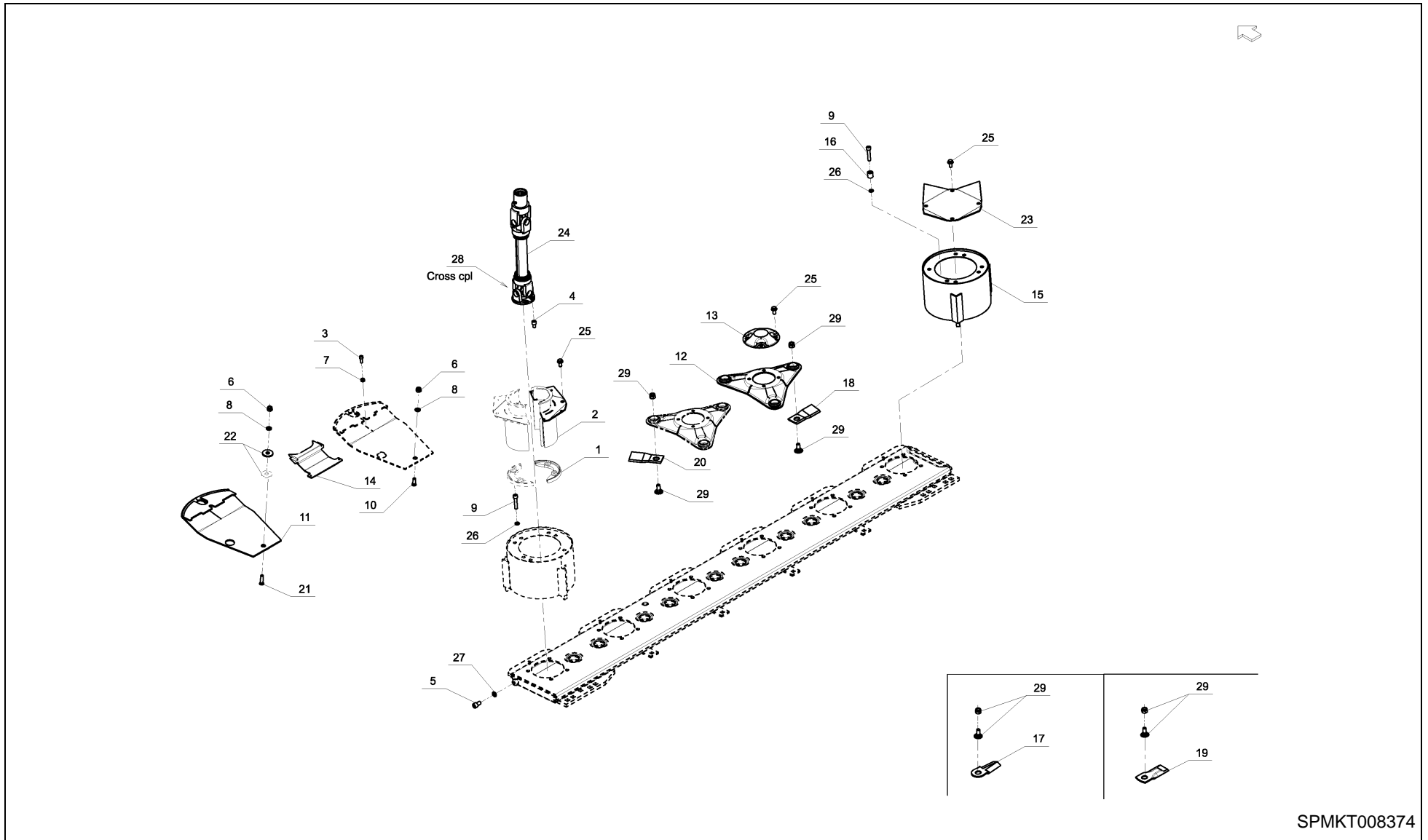
SPMKT006397



EXTRA 324F / CUTTERBAR, COMPLETE

PosNo.	Part No.	Qty.	Description	Remark
1	KT5514500086	1	6-DISC CUTTERBAR	
2	KG00542161	2	CHEESE HEAD SCREW M5X16 8.8	
3	KT5564900061	1	COVER	
4	KT55650000	1	LUG	
5	KT55651000	1	GASKET	
6	KT99458109	1	TUBE PLUG M16X1,5	
7	KT99462633	1	PLUG M16X1,5	
8	KT99462718	2	COPPER SEALING 16 X 22 X 1,5	
9	KT55641100	10	GEAR WHEEL Z=39	
10	KG00476261	10	HEX. SCREW M12X20 8.8	
11	KT55670000	10	WASHER (DISC)	
12	KT55644000	10	JOURNAL	
13	KT55646100	20	NUT	
14	KG01840900	4	HEX. NUT M12 10 4032	
15	KT55766000	4	DISTANCE BUSHING	
16	KT5572910061	12	LOCK PLATE	
17	KG01840800	20	HEX. SCREW M12X35 10.9 4017	
18	KT99420109	28	OIL SEAL Ø10,69X3,53	
19	KT99420286	6	OIL SEAL Ø120,24X3,53	
20	KT55767000	2	LOCK PLATE	
21	KT99302819	4	STEEL BOLT M12X65	
22	KG00595400	4	CHEESE HEAD SCREW M10X16 12.9	
23	A157582500	10	O-RING N70 Ø37,00 X 1,20	
24	KT99420125	10	OIL SEAL Ø34,2X3	
25	A142726800	1	KVERNELAND GROUP CUTTERBAR OIL 5 LTR.	
26	A147378186	1	6-DISC CUTTERBAR DIR 380, COMPLETE	
27	A144144030	5	BEARING HOUSE, DOUBLE ROW BEARING	
28	A144143930	1	BEARING HOUSE, DOUBLE ROW BEARING PTO	
29	KT55706100	1	SET OF BEARING	
30	KT55710200	1	GASKET KIT	
31	A157049730	1	TOOL KIT FOR CUTTERBAR	
32	KT99457134	1	LOCTITE TUBE 5ML	
33	KT99457135	1	LOCTITE TUBE 10 G	
34	A151467230	1	KIT END SEAL CUTTERBAR	

EXTRA 324F / TRANSMISSION, CUTTERBAR



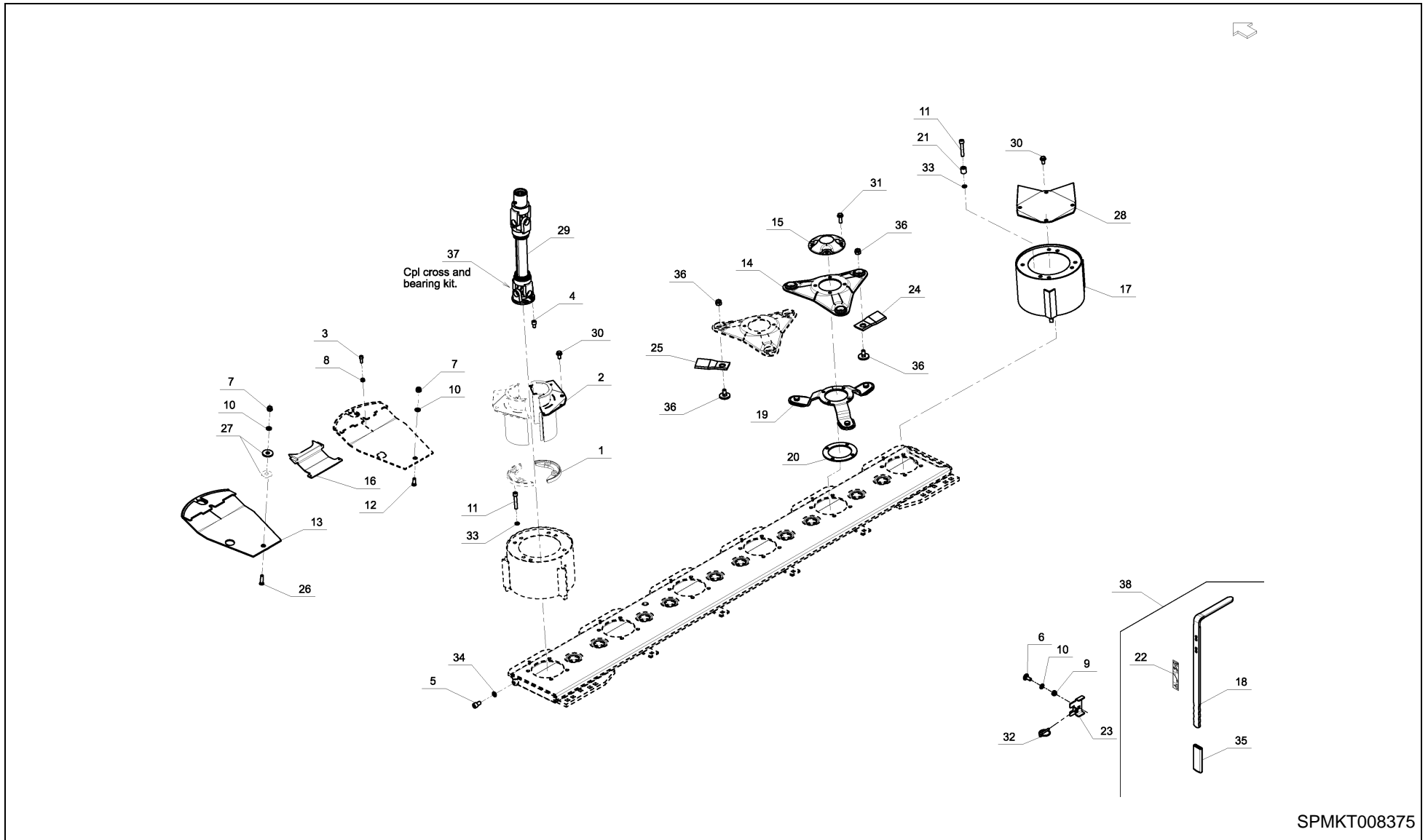
SPMKT008374



EXTRA 324F / TRANSMISSION, CUTTERBAR

PosNo.	Part No.	Qty.	Description	Remark
1	A132446961	2	180DEG. SPACER FOR GUARD	
2	A132464786	2	180DEG. DRUMWING ASSY HIGH CONE	
3	KG00545061	6	CHEESE HEAD SCREW M8X20 8.8	
4	KG00595400	4	CHEESE HEAD SCREW M10X16 12.9	
5	KG00596200	2	CHEESE HEAD SCREW M12X20 12.9	
6	KG01064161	6	LOCK NUT M10 8	
7	KG01067561	6	LOCK NUT M8 8	
8	KG01267461	6	WASHER M10	
9	KG01904300	8	CHEESE HEAD SCREW M10X50 12.9	
10	KT45429000	4	PLOUGH BOLT M10-30	
11	KT5512510086	6	WEARING SOLE	
12	KT5513600094	6	CUTTING DISC	
13	KT5513700086	4	COVER	
14	KT5513910086	5	COUNTER KNIFE	
15	KT5514810094	2	HIGH CONE AGGRESSIV, TRIANGULAR DISC	
16	A144059586	1	TOP PLATE	
17	KT5611030001	18	KNIFE (128MM)	
18	KT5611040001	9	KNIFE, RH (126MM)	
19	KT5611050001	18	KNIFE (131MM)	
20	KT5611090001	9	KNIFE, LH (126MM)	
21	KT56149000	2	PLOUGH BOLT M10-40	
22	KT5627100061	4	WASHER Ø13-Ø40X4	
23	A144059586	1	TOP PLATE	
24	KT99244528	1	UNIVERSAL JOINT	
25	KT99308826	24	STEEL BOLT (VERBUS RIBB BOLT) M10X20	
26	KT99333832	8	NORD-LOCK WASHER NL3/8" (10,3 X 16,6)	
27	KT99333833	2	NORD-LOCK WASHER NL12 (13,0X19,5X2,5)	
28	KT99244618	2	CROSS AND BEARING KIT	
29	KT56785000	1	KNIFE BOLT KIT CPL. (25 PCS.)	

EXTRA 324F / TRANSMISSION, CUTTERBAR + EXPRESS



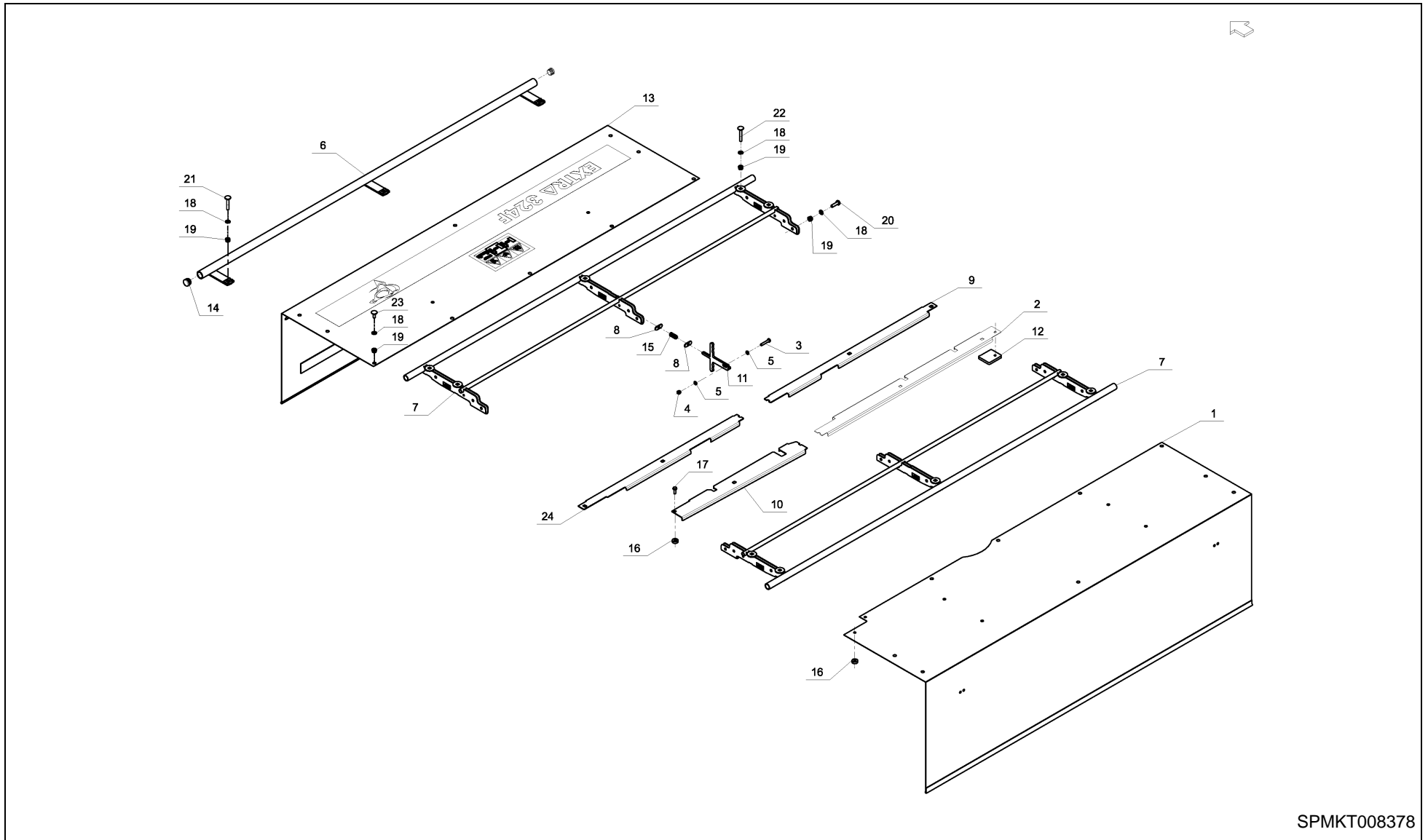
SPMKT008375



EXTRA 324F / TRANSMISSION, CUTTERBAR + EXPRESS

PosNo.	Part No.	Qty.	Description	Remark
1	A132446961	2	180DEG. SPACER FOR GUARD	
2	A132464786	2	180DEG. DRUMWING ASSY HIGH CONE	
3	KG00545061	6	CHEESE HEAD SCREW M8X20 8.8	
4	KG00595400	4	CHEESE HEAD SCREW M10X16 12.9	
5	KG00596200	2	CHEESE HEAD SCREW M12X20 12.9	
6	KG00641461	1	CARRIAGE BOLT M10X25 8.8	
7	KG01064161	6	LOCK NUT M10 8	
8	KG01067561	6	LOCK NUT M8 8	
9	KG01072361	1	LOCK NUT M10 8	
10	KG01267461	6	WASHER M10	
11	KG01904500	8	CHEESE HEAD SCREW M10X60 12.9	
12	KT45429000	4	PLOUGH BOLT M10-30	
13	KT5512510086	6	WEARING SOLE	
14	KT5513600094	6	CUTTING DISC	
15	KT5513700086	4	COVER	
16	KT5513910086	5	COUNTER KNIFE	
17	KT5514810094	2	HIGH CONE AGGRESSIV, TRIANGULAR DISC	
18	KT5517400061	1	TOOL	
19	KT5518500086	6	EXPRESS SPRING	
20	KT5526900061	6	WASHER 4MM (EXPRESS)	
21	KT5539800061	4	BUSHING	
22	KT55769000	1	DECAL	
23	KT5577300061	1	PARKING BRACKET	
24	KT5611040001	9	KNIFE, RH (126MM)	
25	KT5611090001	9	KNIFE, LH (126MM)	
26	KT56149000	2	PLOUGH BOLT M10-40	
27	KT5627100061	4	WASHER Ø13-Ø40X4	
28	A144059586	1	TOP PLATE	
29	KT99244528	1	UNIVERSAL JOINT	
30	KT99308826	8	STEEL BOLT (VERBUS RIBB BOLT) M10X20	
31	KT99308832	16	STEEL BOLT M10X35 10.9(VERBUS RIBB BOLT)	
32	KT99331901	1	LINCH PIN Ø 6	
33	KT99333832	8	NORD-LOCK WASHER NL3/8" (10,3 X 16,6)	
34	KT99333833	2	NORD-LOCK WASHER NL12 (13,0X19,5X2,5)	
35	KT38218000	1	PLASTIC HANDLE	
36	KT56998000	1	KIT OF KNIFE BOLT (25 PCS.)	
37	KT99244618	2	CROSS AND BEARING KIT	
38	KT55177000	1	TOOL COMPLETE	

EXTRA 324F / GUARD



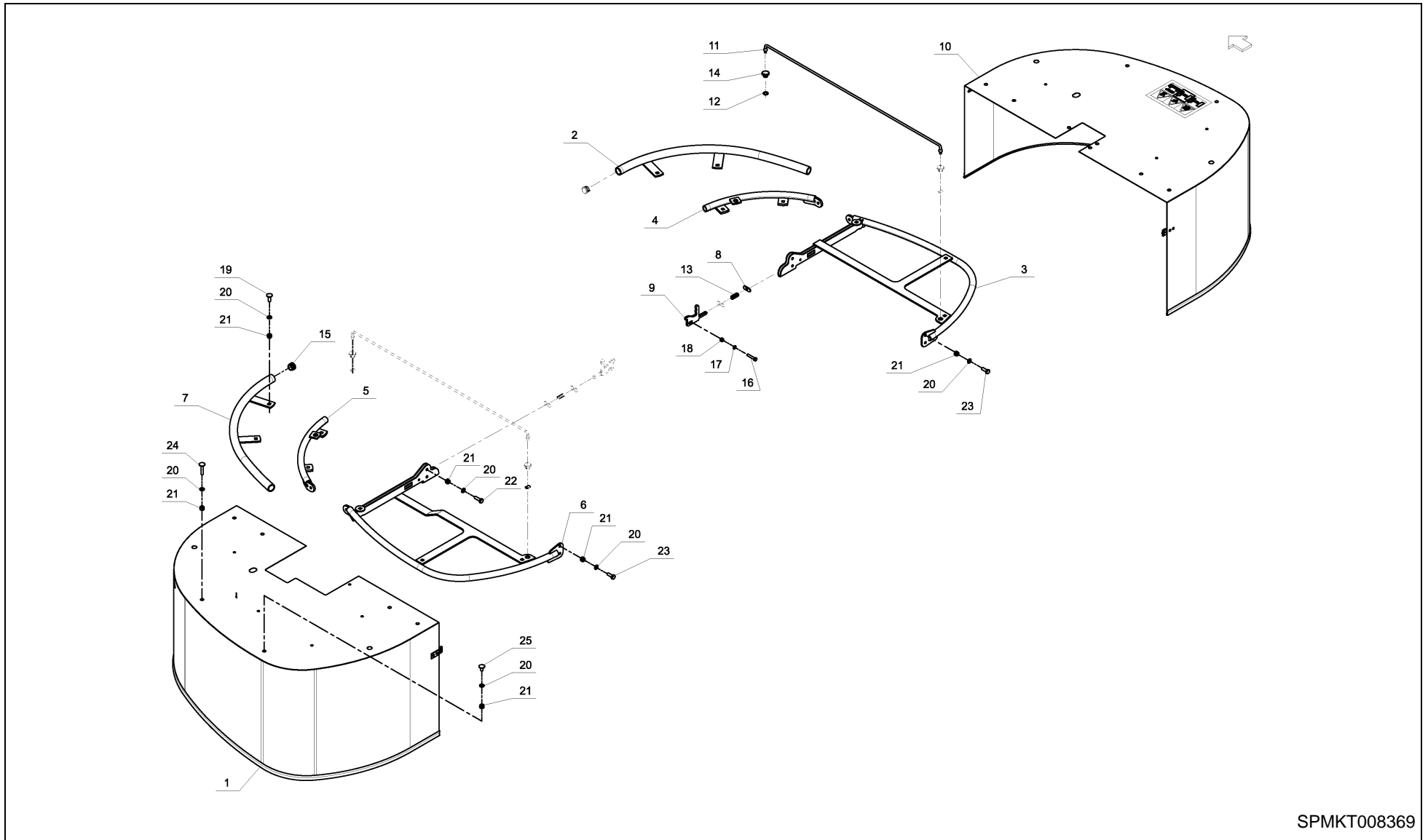
SPMKT008378



EXTRA 324F / GUARD

PosNo.	Part No.	Qty.	Description	Remark
1	A132223500	1	TARPAULIN REAR 324F	
2	A132707200	1	PLATE REAR RH	
3	KG00472561	1	HEX. SCREW M8X45 8.8	
4	KG01064061	1	LOCK NUT M8 8	
5	KG01267361	2	WASHER M8	
6	A132217294	1	RAIL FRONT	
7	A132192886	2	CENTER GUARD FRMO 2,4	
8	KT9217900061	2	PLATE	
9	A132708086	1	PLATE FRONT RH	
10	A132711786	1	PLATE REAR LH	
11	KT9232410061	1	LATCH	
12	KT9266100061	1	SPACER	
13	A132223400	1	TARPAULIN FRONT 324F	
14	A132874300	2	PLASTIC PLUG Ø30X1,00-2,00 BLACK	
15	VF06215282	1	COMPRESSION SPRING	
16	KT39688000	2	WASHER	
17	KT99328864	1	TAPTITE GEVINDFORMENDE SKR. 6-KANT M8-25	
18	KG01267461	10	WASHER M10	
19	KG01064161	10	LOCK NUT M10 8	
20	KG00474461	4	HEX. SCREW M10X35 8.8	
21	KG00642161	3	CARRIAGE BOLT M10X60 8.8	
22	KG00642261	4	CARRIAGE BOLT M10X65 8.8	
23	KG00641461	1	CARRIAGE BOLT M10X25 8.8	
24	A132208286	1	PLATE FRONT LH	

EXTRA 324F / GUARD



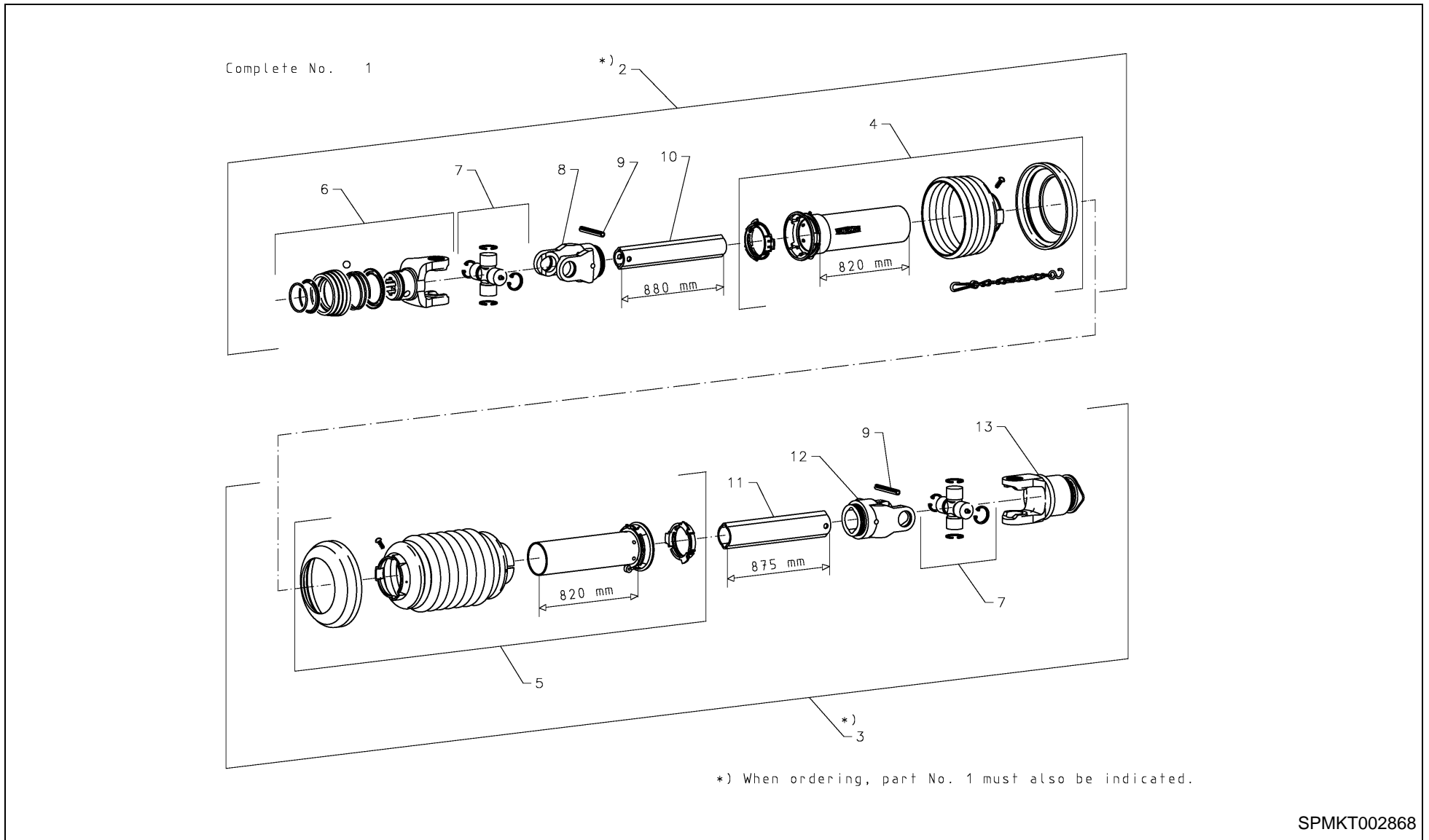
SPMKT008369



EXTRA 324F / GUARD

PosNo.	Part No.	Qty.	Description	Remark
1	KT92449000	1	TARPAULIN SIDE 3XXF INSIDE	
2	KT9215300094	1	HOOP, RH	
3	KT9215410086	1	HOOP REAR, RH	
4	KT9215510086	1	HOOP FRONT, RH	
5	KT9216910086	1	HOOP FRONT, LH	
6	KT9217110086	1	HOOP REAR, LH	
7	KT9217200094	1	HOOP, LH	
8	KT9217900061	4	PLATE	
9	A157651261	2	LOCKING PIN ONE SIDED	
10	KT92450000	1	TARPAULIN SIDE 3XXF OUTSIDE	
11	KT92534000	2	ELASTIC STRAP	
12	VF06214690	4	O-RING 15X 3,0 NBR70	
13	VF06215282	2	COMPRESSION SPRING	
14	VF16622430.61	4	GUIDE EYE	
15	A132874300	5	PLASTIC PLUG Ø30X1,00-2,00 BLACK	
16	KG00472561	2	HEX. SCREW M8X45 8.8	
17	KG01267361	4	WASHER M8	
18	KG01064061	2	LOCK NUT M8 8	
19	KG00641561	4	CARRIAGE BOLT M10X30 8.8	
20	KG01267461	16	WASHER M10	
21	KG01064161	18	LOCK NUT M10 8	
22	KG00474461	4	HEX. SCREW M10X35 8.8	
23	KG00474361	4	HEX. SCREW M10X30 8.8	
24	KG00641961	2	CARRIAGE BOLT M10X50 8.8	
25	A151511461	5	CARRIAGE BOLT M10-20	

EXTRA 324F / PTO SHAFT



SPMKT002868



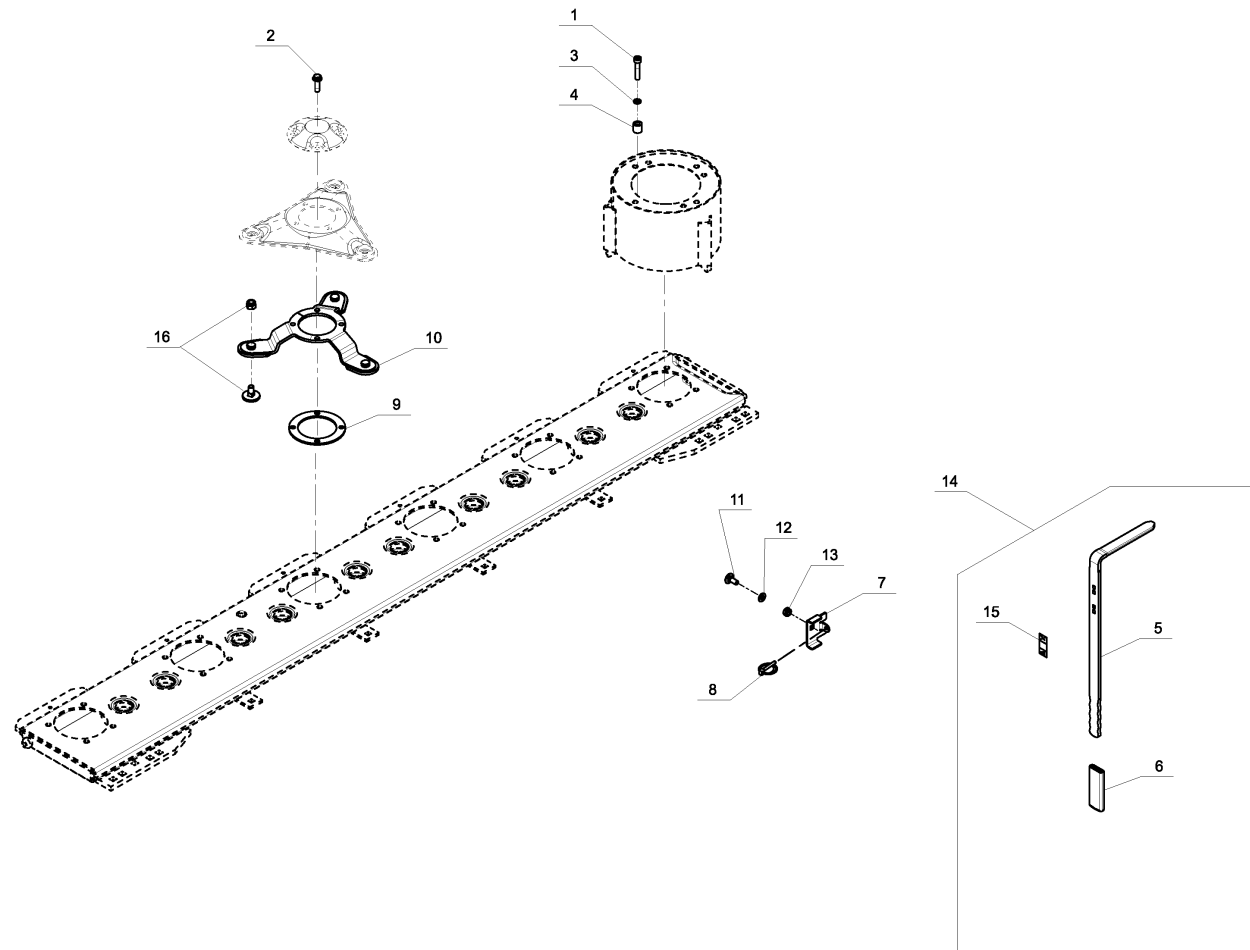
EXTRA 324F / PTO SHAFT

PosNo.	Part No.	Qty.	Description	Remark
1	KT99244331	1	PTO SHAFT W2300, COMPLETE	Walterscheid No. 158945
2	KT99244679	1	INNER PTO SHAFT INCL. PROTECTION TUBE	
3	KT99244680	1	OUTER PTO SHAFT INCL. PROTECTION TUBE	
4	KT99244584	1	OUTER PROTECTION TUBE, COMPLETE	Walterscheid No. 116169
5	KT99244681	1	INNER PROTECTION TUBE, COMPLETE	Walterscheid No. 113041
6	KG02004100	1	YOKE CPL. ASGE2300-1 3/8" (6)	Walterscheid No. 133834
7	KT99244588	2	CROSS, COMPLETE	Walterscheid No. 116403
8	KT99235524	1	YOKE	Walterscheid No. 041315
9	VF01157382	2	ROLL PIN 10X65 EN ISO 8752 ZN.FL.	Walterscheid No. 20164
10	KG02005000	1	PROFILE TUBE 0VGA-1000	Walterscheid No. 135936
11	KG02008300	1	PROFILE TUBE 1G-1000	Walterscheid No. 136155
12	KT99244592	1	YOKE	Walterscheid No. 041318
13	KT99244682	1	OVERRUN CLUTCH	Walterscheid No. 128649

EXTRA 324F / OPTIONAL EQUIPMENT



Complete No. 17



SPMKT006401



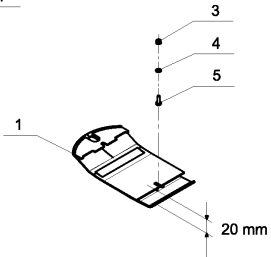
EXTRA 324F / OPTIONAL EQUIPMENT

PosNo.	Part No.	Qty.	Description	Remark
1	KG01904500	8	CHEESE HEAD SCREW M10X60 12.9	
2	KT99308832	32	STEEL BOLT M10X35 10.9(VERBUS RIBB BOLT)	
3	KT99333832	8	NORD-LOCK WASHER NL3/8" (10,3 X 16,6)	
4	KT5539800061	4	BUSHING	
5	KT5517400061	1	TOOL	
6	KT38218000	1	PLASTIC HANDLE	
7	KT5577300061	1	PARKING BRACKET	
8	KT99331901	1	LINCH PIN Ø 6	
9	KT5526900061	6	WASHER 4MM (EXPRESS)	
10	KT5518500086	6	EXPRESS SPRING	
11	KG00641461	1	CARRIAGE BOLT M10X25 8.8	
12	KG01267461	1	WASHER M10	
13	KG01072361	1	LOCK NUT M10 8	
14	KT55177000	1	TOOL COMPLETE	
15	KT55769000	1	DECAL	
16	KT56998000	1	KIT OF KNIFE BOLT (25 PCS.)	
17	ACCESSOIRE	1	PLEASE CONTACT YOUR DEALER	

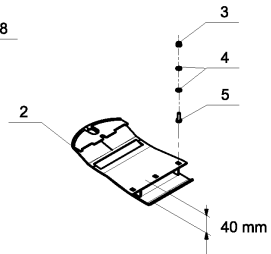
EXTRA 324F / OPTIONAL EQUIPMENT



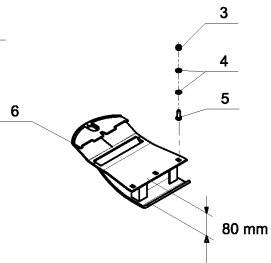
Complete No. 7



Complete No. 8



Complete No. 9



SPMKT004765



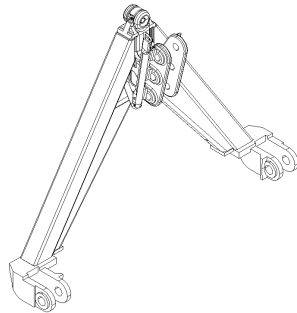
EXTRA 324F / OPTIONAL EQUIPMENT

PosNo.	Part No.	Qty.	Description	Remark
1	KT5535000086	2	HIGH LIFT SKID 20MM	
2	KT5524000086	2	HIGH LIFT SKID 40 MM	
3	KG01064161	4	LOCK NUT M10 8	
4	KG01267461	8	WASHER M10	
5	KG00474361	4	HEX. SCREW M10X30 8.8	
6	KT5515300086	2	HIGH LIFT SKID 80 MM	
7	ACCESSOIRE	1	PLEASE CONTACT YOUR DEALER	
8	ACCESSOIRE	1	PLEASE CONTACT YOUR DEALER	
9	ACCESSOIRE	1	PLEASE CONTACT YOUR DEALER	

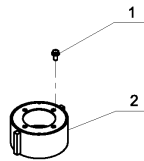
EXTRA 324F / OPTIONAL EQUIPMENT



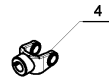
Complete No. 5



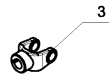
Complete No. 6



PTO - tractor
21 spline W2300



Overrun clutch
1 3/8" 6 spline



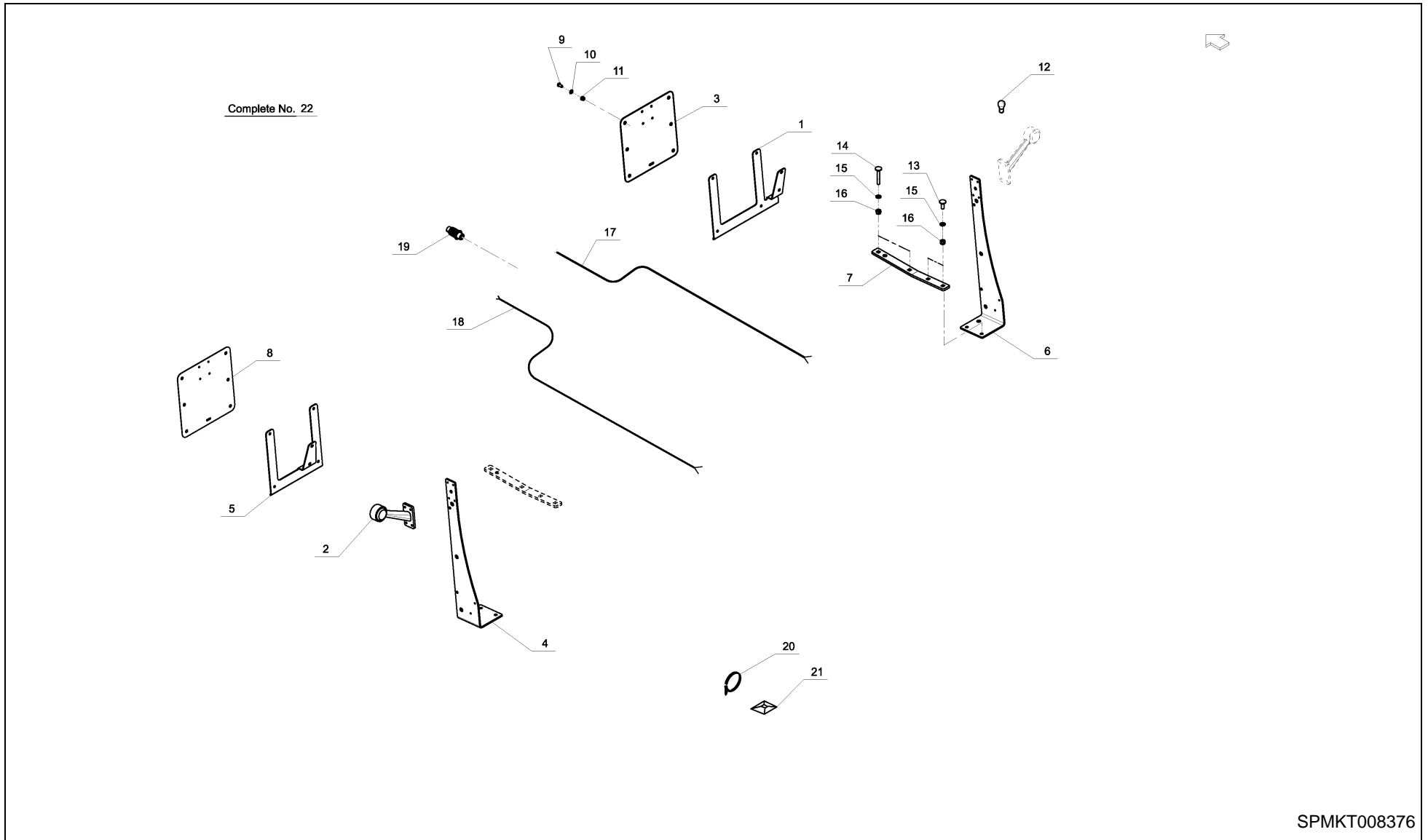
SPMKT008362



EXTRA 324F / OPTIONAL EQUIPMENT

PosNo.	Part No.	Qty.	Description	Remark
1	A151545562	8	STEEL BOLT M10X20 (VERBUS RIBB BOLT)	
2	KT9273500086	2	FLOW DRUM 80MM	
3	ACCESSOIRE	1	PLEASE CONTACT YOUR DEALER	
4	ACCESSOIRE	1	PLEASE CONTACT YOUR DEALER	
5	ACCESSOIRE	1	PLEASE CONTACT YOUR DEALER	
6	ACCESSOIRE	1	PLEASE CONTACT YOUR DEALER	

EXTRA 324F / OPTIONAL EQUIPMENT

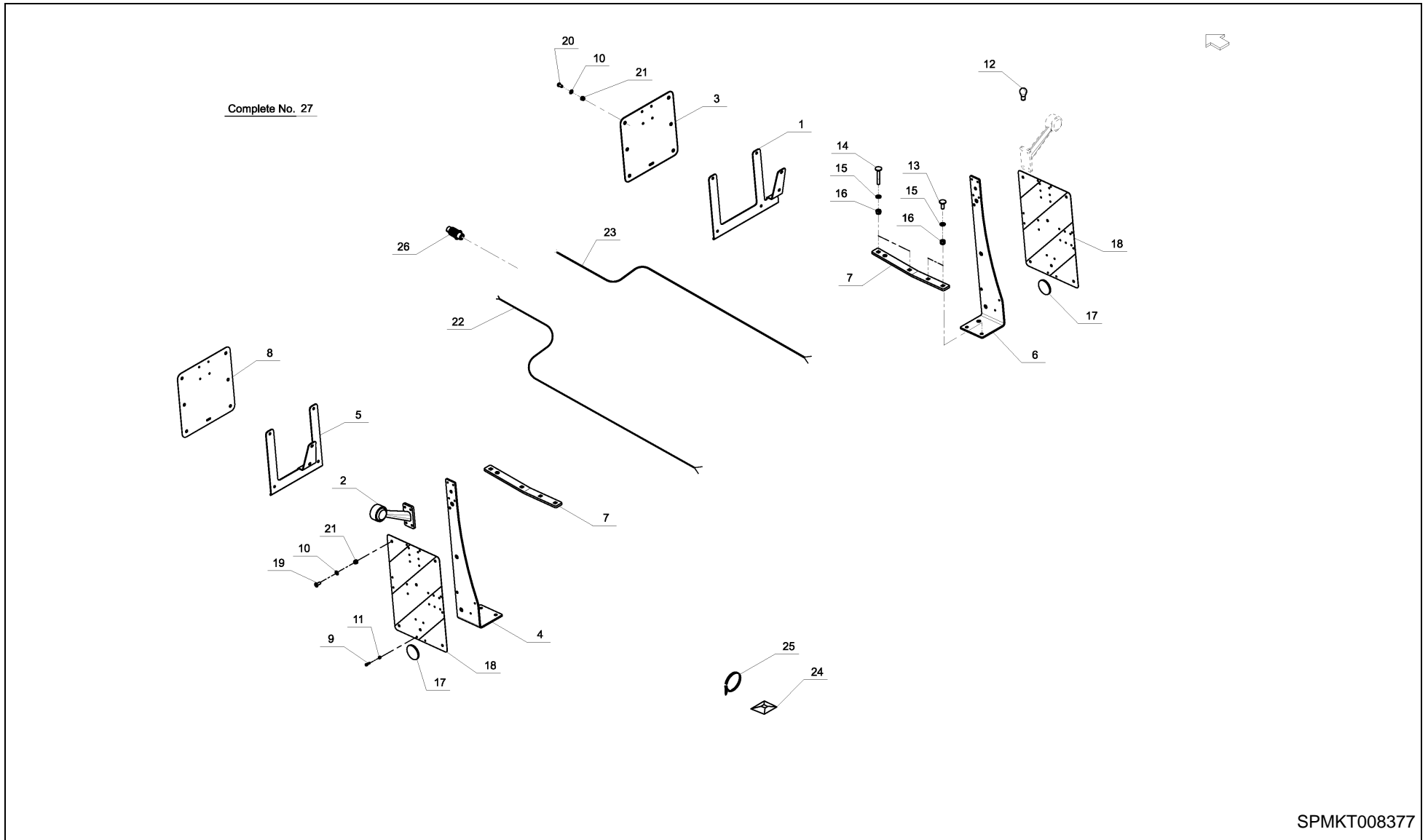




EXTRA 324F / OPTIONAL EQUIPMENT

PosNo.	Part No.	Qty.	Description	Remark
1	KT9270800086	1	BRACKET FRONT, RH	
2	KT99474348	2	SIDE LIGHT RED/WHITE	
3	VF16645752	1	WARNING PLATE 282X282 (LH)	
4	KT9270500086	1	BRACKET, LH	
5	KT9270700086	1	BRACKET FRONT, LH	
6	KT9270600086	1	BRACKET, RH	
7	KT9270900086	2	BRACKET	
8	VF16645753	1	WARNING PLATE 282X282 (RH)	
9	KG00731263	8	CHEESE HEAD SCREW M8X16 10.9	
10	KG01267361	8	WASHER M8	
11	KG01064061	8	LOCK NUT M8 8	
12	KT99477133	2	LIGHTING BULB 12V 5W	
13	KG00641561	4	CARRIAGE BOLT M10X30 8.8	
14	KG00642361	4	CARRIAGE BOLT M10X70 8.8	
15	KG01267461	8	WASHER M10	
16	KG01064161	8	LOCK NUT M10 8	
17	A158326400	1	CABLE RH	
18	A158326500	1	CABLE LH	
19	KT99478196	1	7 PIN PLUG	
20	VF06216479	26	CABLE TIE 150X3,6 SW SNX 2-35	
21	KT99478395	13	PLATE	
22	ACCESSOIRE	1	PLEASE CONTACT YOUR DEALER	

EXTRA 324F / OPTIONAL EQUIPMENT





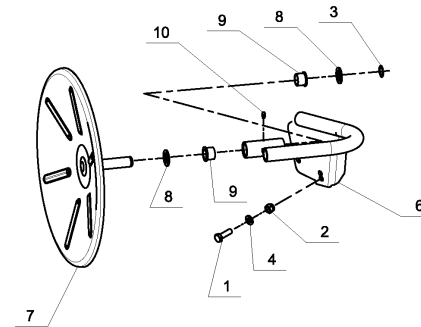
EXTRA 324F / OPTIONAL EQUIPMENT

PosNo.	Part No.	Qty.	Description	Remark
1	KT9270800086	1	BRACKET FRONT, RH	
2	KT99474348	2	SIDE LIGHT RED/WHITE	
3	VF16645752	1	WARNING PLATE 282X282 (LH)	
4	KT9270500086	1	BRACKET, LH	
5	KT9270700086	1	BRACKET FRONT, LH	
6	KT9270600086	1	BRACKET, RH	
7	KT9270900086	2	BRACKET	
8	VF16645753	1	WARNING PLATE 282X282 (RH)	
9	KG00542161	2	CHEESE HEAD SCREW M5X16 8.8	
10	KG01267361	12	WASHER M8	
11	KG01063861	2	LOCK NUT M5 8	
12	KT99477133	2	LIGHTING BULB 12V 5W	
13	KG00641561	4	CARRIAGE BOLT M10X30 8.8	
14	KG00642361	4	CARRIAGE BOLT M10X70 8.8	
15	KG01267461	8	WASHER M10	
16	KG01064161	8	LOCK NUT M10 8	
17	VF06214037	2	REFLEX, CIRCULAR YELLOW, ADHESIVE D60	
18	KT99458381	2	RED/WHITE WARNING 423X282	
19	VF01142565	4	TRUSS-HEAD SCR. M8X20 109 GALV.	
20	KG00731263	8	CHEESE HEAD SCREW M8X16 10.9	
21	KG01064061	12	LOCK NUT M8 8	
22	A158326500	1	CABLE LH	
23	A158326400	1	CABLE RH	
24	KT99478395	13	PLATE	
25	VF06216479	26	CABLE TIE 150X3,6 SW SNX 2-35	
26	KT99478196	1	7 PIN PLUG	
27	ACCESSOIRE	1	PLEASE CONTACT YOUR DEALER	

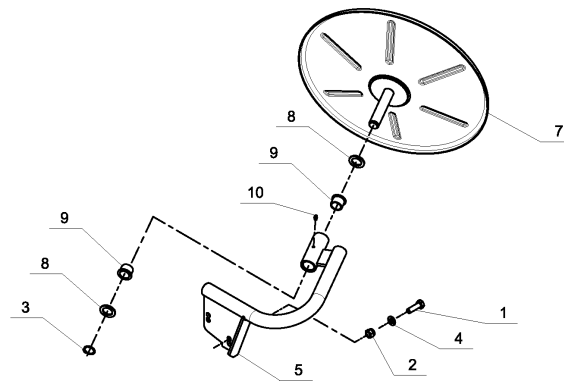
EXTRA 324F / OPTIONAL EQUIPMENT



Complete No. 11
Right side



Complete No. 12
Left side



SPMKT005262



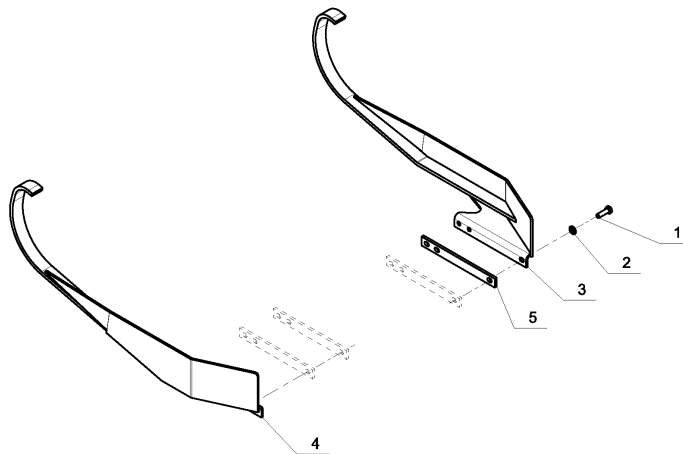
EXTRA 324F / OPTIONAL EQUIPMENT

PosNo.	Part No.	Qty.	Description	Remark
1	KG00476761	4	HEX. SCREW M12X40 8.8	
2	KG01064261	4	LOCK NUT M12 8	
3	KG01108362	2	CIRCLIP-A 25 X 1.2	
4	KG01267561	4	WASHER M12	
5	KT1943810086	1	ARM, LH	
6	KT1943910086	1	ARM, RH	
7	KT1946000086	2	SWATH ROLLER Ø500MM	
8	KT4540500061	4	WASHER	
9	KT99155025	4	NYLON BUSHING	
10	KT99417025	2	GREASE NIPPLE M6 TYPE I DS 6004	
11	ACCESSOIRE	1	PLEASE CONTACT YOUR DEALER	
12	ACCESSOIRE	1	PLEASE CONTACT YOUR DEALER	

EXTRA 324F / OPTIONAL EQUIPMENT



Complete No. 6



SPMKT004257



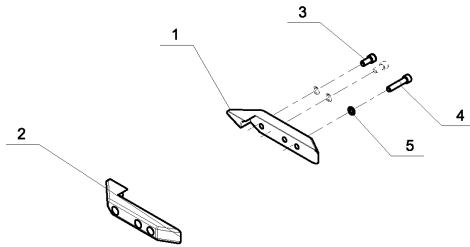
EXTRA 324F / OPTIONAL EQUIPMENT

PosNo.	Part No.	Qty.	Description	Remark
1	KG00476761	6	HEX. SCREW M12X40 8.8	
2	KG01267561	6	WASHER M12	
3	KT3847820086	1	STRAW DIVIDER, RH	
4	KT3847920086	1	STRAW DIVIDER, LH	
5	KT6985700061	4	PLATE	
6	ACCESSOIRE	1	PLEASE CONTACT YOUR DEALER	

EXTRA 324F / OPTIONAL EQUIPMENT



Complete No. 6



SPMKT004890



EXTRA 324F / OPTIONAL EQUIPMENT

PosNo.	Part No.	Qty.	Description	Remark
1	A132614661	1	PROTECTION RH	
2	A132633361	1	PROTECTION LH	
3	KG00596300	4	CHEESE HEAD SCREW M12X25 12.9	
4	KG00596700	2	CHEESE HEAD SCREW M12X55 12.9 DIN 912	
5	KT99333833	6	NORD-LOCK WASHER NL12 (13,0X19,5X2,5)	
6	ACCESSOIRE	1	PLEASE CONTACT YOUR DEALER	

EXTRA 324F / Part No Index



Part No.	Page	Pos No	Part No.	Page	Pos No	Part No.	Page	Pos No	Part No.	Page	Pos No
A100026862	5	4	A132874300	10	14	ACCESSOIRE	15	6	KG00480061	5	27
A100026862	6	5	A132874300	11	15	ACCESSOIRE	16	22	KG00542161	7	2
A100031462	1	34	A132877061	1	27	ACCESSOIRE	17	27	KG00542161	17	9
A132042561	5	24	A132877561	1	29	ACCESSOIRE	18	11	KG00543461	2	20
A132060761	5	36	A142726800	6	25	ACCESSOIRE	18	12	KG00545061	8	3
A132116886	5	25	A142726800	7	25	ACCESSOIRE	19	6	KG00545061	9	3
A132183786	4	22	A144059586	8	16	ACCESSOIRE	20	6	KG00595400	7	22
A132186994	3	20	A144059586	8	23	KG00355261	4	17	KG00595400	8	4
A132191294	3	23	A144059586	9	28	KG00355361	5	37	KG00595400	9	4
A132192886	10	7	A144143930	7	28	KG00356061	1	5	KG00596200	8	5
A132208286	10	24	A144144030	7	27	KG00357461	4	21	KG00596200	9	5
A132217294	10	6	A147378186	7	26	KG00471461	5	30	KG00596300	20	3
A132223400	10	13	A151467230	7	34	KG00472261	4	2	KG00596700	20	4
A132223500	10	1	A151511461	3	14	KG00472561	10	3	KG00639061	3	3
A132446961	8	1	A151511461	11	25	KG00472561	11	16	KG00639161	3	4
A132446961	9	1	A151545562	15	1	KG00474261	5	26	KG00641461	3	5
A132464786	8	2	A151853694	3	21	KG00474261	6	4	KG00641461	9	6
A132464786	9	2	A151864294	3	19	KG00474361	2	17	KG00641461	10	23
A132520561	5	31	A151985900	5	33	KG00474361	3	2	KG00641461	13	11
A132520661	5	14	A157049730	7	31	KG00474361	4	14	KG00641561	11	19
A132520761	5	32	A157582500	7	23	KG00474361	11	23	KG00641561	16	13
A132520861	5	6	A157651261	11	9	KG00474361	14	5	KG00641561	17	13
A132582786	1	3	A158326400	16	17	KG00474461	1	6	KG00641961	11	24
A132582886	1	4	A158326400	17	23	KG00474461	5	23	KG00642161	10	21
A132614661	20	1	A158326500	16	18	KG00474461	10	20	KG00642261	10	22
A132633361	20	2	A158326500	17	22	KG00474461	11	22	KG00642361	16	14
A132701100	5	12	ACCESSOIRE	13	17	KG00476261	7	10	KG00642361	17	14
A132707200	10	2	ACCESSOIRE	14	7	KG00476561	5	17	KG00731263	3	6
A132708086	10	9	ACCESSOIRE	14	8	KG00476561	6	21	KG00731263	16	9
A132711786	10	10	ACCESSOIRE	14	9	KG00476761	4	18	KG00731263	17	20
A132712361	4	6	ACCESSOIRE	15	3	KG00476761	18	1	KG00732363	3	7
A132723661	5	15	ACCESSOIRE	15	4	KG00476761	19	1	KG00932400	5	34
A132863094	3	1	ACCESSOIRE	15	5	KG00479961	5	1	KG01051961	4	1

EXTRA 324F / Part No Index



Part No.	Page	Pos No	Part No.	Page	Pos No	Part No.	Page	Pos No	Part No.	Page	Pos No
KG01052061	1	8	KG01128762	5	16	KG01904500	9	11	KT5514500086	7	1
KG01052161	4	12	KG01191762	2	19	KG01904500	13	1	KT5514810094	8	15
KG01052661	1	7	KG01192062	2	18	KG02004100	12	6	KT5514810094	9	17
KG01061261	3	8	KG01260361	5	40	KG02005000	12	10	KT5515300086	14	6
KG01063861	17	11	KG01267361	3	12	KG02008300	12	11	KT5517400061	9	18
KG01064061	3	9	KG01267361	5	29	KT18339000	5	20	KT5517400061	13	5
KG01064061	10	4	KG01267361	10	5	KT1943810086	18	5	KT55177000	9	38
KG01064061	11	18	KG01267361	11	17	KT1943910086	18	6	KT55177000	13	14
KG01064061	16	11	KG01267361	16	10	KT1946000086	18	7	KT5518500086	9	19
KG01064061	17	21	KG01267361	17	10	KT1955400086	4	8	KT5518500086	13	10
KG01064161	1	32	KG01267461	1	10	KT2424200061	2	28	KT5524000086	14	2
KG01064161	2	16	KG01267461	2	15	KT3130700061	2	8	KT5526900061	9	20
KG01064161	3	10	KG01267461	3	13	KT33412200	2	1	KT5526900061	13	9
KG01064161	4	16	KG01267461	4	15	KT38218000	9	35	KT5535000086	14	1
KG01064161	5	22	KG01267461	5	39	KT38218000	13	6	KT5539800061	9	21
KG01064161	8	6	KG01267461	8	8	KT3847820086	19	3	KT5539800061	13	4
KG01064161	9	7	KG01267461	9	10	KT3847920086	19	4	KT55641100	7	9
KG01064161	10	19	KG01267461	10	18	KT39688000	5	7	KT55644000	7	12
KG01064161	11	21	KG01267461	11	20	KT39688000	10	16	KT55646100	7	13
KG01064161	14	3	KG01267461	13	12	KT42176000	1	25	KT5564900061	7	3
KG01064161	16	16	KG01267461	14	4	KT4540500061	18	8	KT55650000	7	4
KG01064161	17	16	KG01267461	16	15	KT45429000	8	10	KT55651000	7	5
KG01064261	2	14	KG01267461	17	15	KT45429000	9	12	KT55670000	5	18
KG01064261	4	20	KG01267561	2	13	KT4543100061	4	10	KT55670000	7	11
KG01064261	18	2	KG01267561	4	19	KT458590	4	7	KT55706100	7	29
KG01067361	3	11	KG01267561	18	4	KT5512510086	8	11	KT55710200	7	30
KG01067561	8	7	KG01267561	19	2	KT5512510086	9	13	KT5572910061	7	16
KG01067561	9	8	KG01401300	6	24	KT5513600094	8	12	KT55766000	7	15
KG01072361	9	9	KG01477900	5	11	KT5513600094	9	14	KT55767000	7	20
KG01072361	13	13	KG01799800	6	7	KT5513700086	8	13	KT55769000	9	22
KG01099362	6	17	KG01840800	7	17	KT5513700086	9	15	KT55769000	13	15
KG01108362	18	3	KG01840900	7	14	KT5513910086	8	14	KT5577300061	9	23
KG01128762	2	29	KG01904300	8	9	KT5513910086	9	16	KT5577300061	13	7

EXTRA 324F / Part No Index



Part No.	Page	Pos No	Part No.	Page	Pos No	Part No.	Page	Pos No	Part No.	Page	Pos No
KT5611030001	8	17	KT9211700061	1	17	KT92449000	11	1	KT99244618	8	28
KT5611040001	8	18	KT9211800061	1	18	KT92450000	11	10	KT99244618	9	37
KT5611040001	9	24	KT9211910086	1	19	KT9248000061	5	19	KT99244679	12	2
KT5611050001	8	19	KT9212010086	1	20	KT9249300061	1	31	KT99244680	12	3
KT5611090001	8	20	KT9212100063	1	1	KT9249400061	1	28	KT99244681	12	5
KT5611090001	9	25	KT9212200063	1	2	KT9249510086	4	5	KT99244682	12	13
KT56149000	8	21	KT9212300061	2	3	KT9249610086	4	13	KT99250556	6	6
KT56149000	9	26	KT9212400061	2	7	KT92534000	11	11	KT99250583	6	8
KT5627100061	8	22	KT9212800086	1	21	KT9266100061	10	12	KT99250806	6	1
KT5627100061	9	27	KT92131000	5	9	KT9270500086	16	4	KT99250946	6	15
KT56785000	8	29	KT9213200061	3	15	KT9270500086	17	4	KT99250982	6	13
KT56998000	9	36	KT9213500094	3	16	KT9270600086	16	6	KT99250989	6	22
KT56998000	13	16	KT9213600094	3	17	KT9270600086	17	6	KT99251267	6	11
KT5882400061	1	12	KT9213700094	3	18	KT9270700086	16	5	KT99251290	6	2
KT60149000	2	24	KT9215300094	11	2	KT9270700086	17	5	KT99251294	6	19
KT60245000	2	23	KT9215410086	11	3	KT9270800086	16	1	KT99251295	6	20
KT63438000	1	11	KT9215510086	11	4	KT9270800086	17	1	KT99251297	6	14
KT6755820061	1	30	KT9215610086	4	9	KT9270900086	16	7	KT99251298	6	23
KT68312000	1	13	KT9215710086	4	3	KT9270900086	17	7	KT99251332	6	3
KT6985700061	19	5	KT9216010094	3	22	KT9273500086	15	2	KT99251336	6	18
KT70122000	1	14	KT9216520086	3	24	KT92910000	6	9	KT99251340	6	12
KT9051410061	1	15	KT9216600063	5	10	KT99106225	6	16	KT99302819	7	21
KT90757000	3	25	KT9216800086	5	3	KT99155025	18	9	KT99307973	1	9
KT9089800061	1	26	KT9216910086	11	5	KT99158088	1	22	KT99308826	8	25
KT91471000	5	13	KT9217110086	11	6	KT99160045	2	30	KT99308826	9	30
KT9148500061	2	10	KT9217200094	11	7	KT99160045	5	8	KT99308832	9	31
KT9199900086	2	2	KT9217900061	10	8	KT99235524	12	8	KT99308832	13	2
KT9210200086	1	16	KT9217900061	11	8	KT99244331	12	1	KT99316108	3	26
KT92106000	5	5	KT9218700086	4	4	KT99244528	8	24	KT99328864	10	17
KT9210700086	2	5	KT92221000	2	22	KT99244528	9	29	KT99328865	3	27
KT9211310061	2	9	KT9232410061	10	11	KT99244584	12	4	KT99331901	3	28
KT9211400063	2	6	KT92378000	1	35	KT99244588	12	7	KT99331901	9	32
KT9211500061	2	4	KT9237900061	5	35	KT99244592	12	12	KT99331901	13	8



EXTRA 324F / Part No Index

Part No.	Page	Pos No	Part No.	Page	Pos No
KT99333100	3	29	KT99478196	16	19
KT99333832	8	26	KT99478196	17	26
KT99333832	9	33	KT99478395	16	21
KT99333832	13	3	KT99478395	17	24
KT99333833	4	11	VF01142565	17	19
KT99333833	8	27	VF01157382	5	38
KT99333833	9	34	VF01157382	12	9
KT99333833	20	5	VF06214037	17	17
KT99333835	5	2	VF06214313	2	21
KT99352040	5	21	VF06214690	11	12
KT99354142	6	10	VF06215282	10	15
KT99402350	2	26	VF06215282	11	13
KT99407085	2	27	VF06216479	16	20
KT99408952	2	11	VF06216479	17	25
KT99413223	2	31	VF16622430.61	11	14
KT99417025	2	12	VF16624749.97	5	28
KT99417025	18	10	VF16645752	16	3
KT99417027	1	33	VF16645752	17	3
KT99420109	7	18	VF16645753	16	8
KT99420125	7	24	VF16645753	17	8
KT99420286	7	19	VF16660164	3	30
KT99428518	2	25	VNB1326493	1	24
KT99450758	1	23			
KT99457134	7	32			
KT99457135	7	33			
KT99458109	7	6			
KT99458381	17	18			
KT99462633	7	7			
KT99462718	7	8			
KT99474348	16	2			
KT99474348	17	2			
KT99477133	16	12			
KT99477133	17	12			



EXTRA 324F

KT509400 < Mach. ID <=

Kverneland Group Kerteminde AS
Taarupstrandvej 25
DK-5300 Kerteminde
Denmark
+45 65 19 19 00
+45 65 19 19 99

© Kverneland Group

All rights reserved. No parts of this book may be reproduced, stored in a database or retrieval system, or published in any form or in any way, electronically, mechanically, optically, by print, photo print, microfilm (including micro and macro fiche), or any other means, including all video and CD systems, without prior written permission from the publisher.

Print date: 2022-12-19

