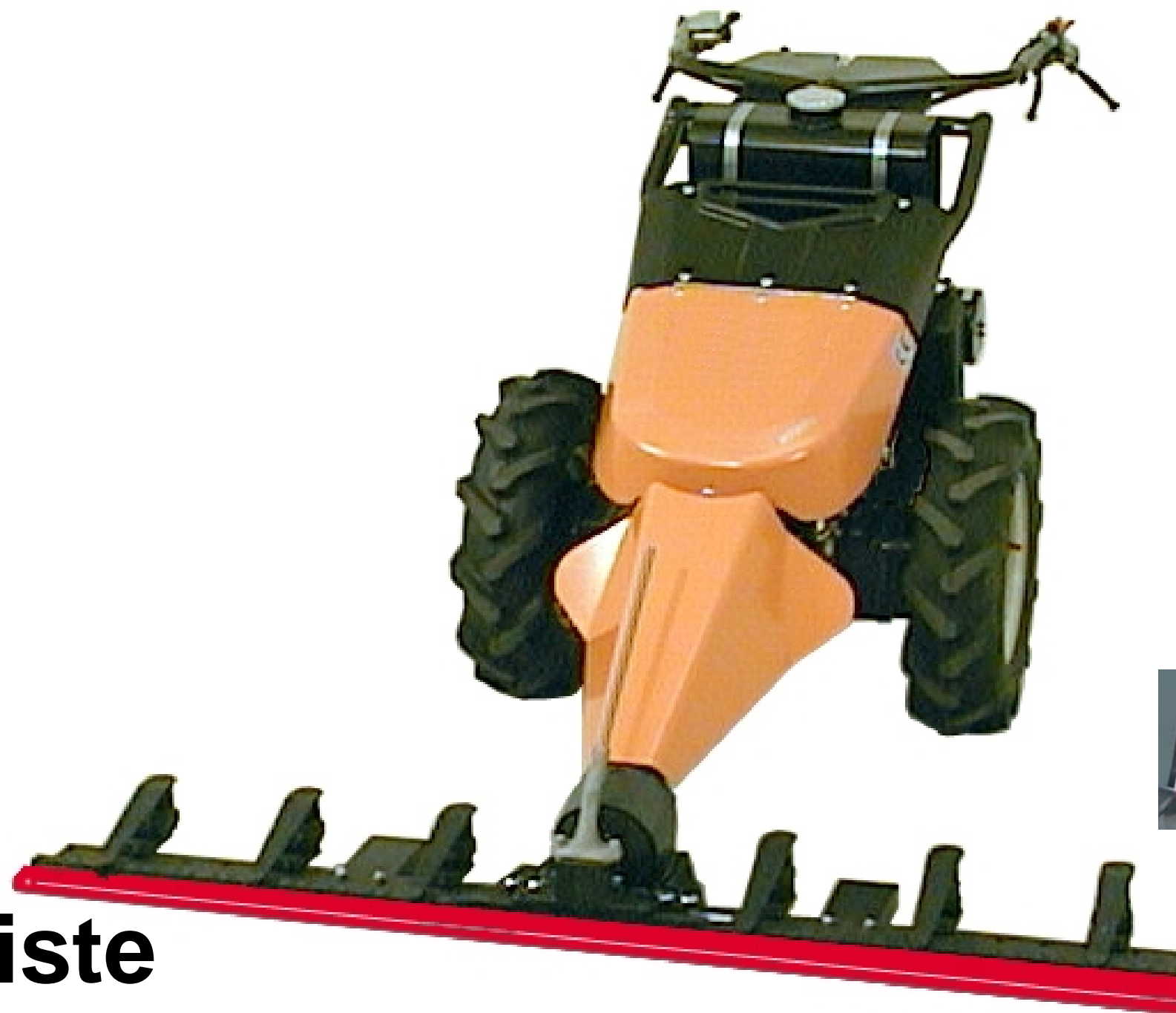
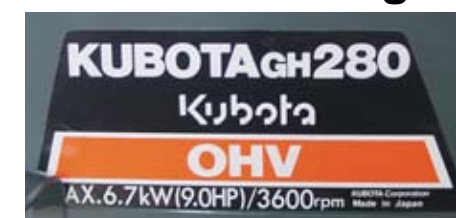


***M9.1 L***



Motor  
Moteur  
Engine



**Ersatzteilliste**  
**Spare parts list**  
**Liste des pièces de rechange**

**15019571-0**

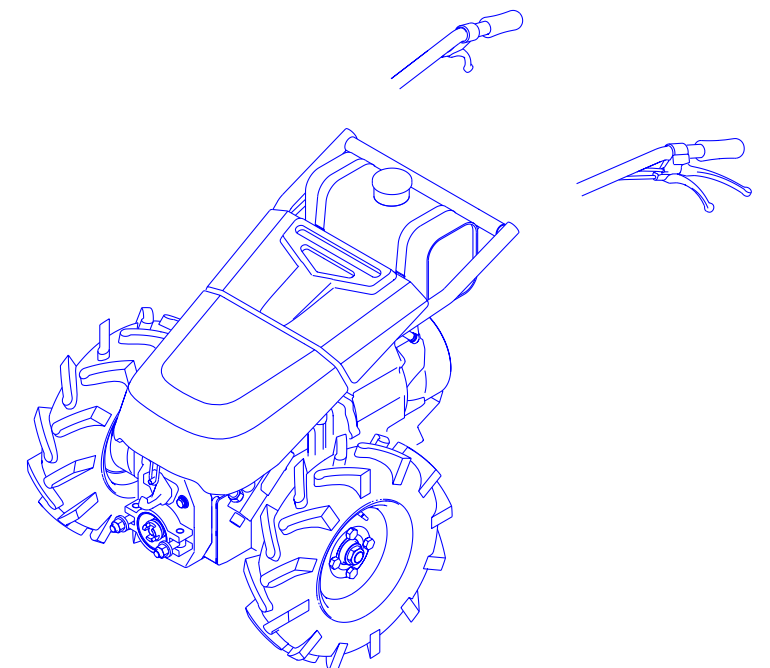
4.2.02



|          |   |          |
|----------|---|----------|
| <b>A</b> | Motor<br>Engine<br>Moteur   | <b>a</b> |
| <b>B</b> | Antriebseinheit<br>Drive unit<br>Unité d'entraînement                     | <b>b</b> |
| <b>C</b> | Hydraulik, Elektrik<br>Hydraulics, Electricals<br>Hydraulique, Electrique | <b>c</b> |
| <b>D</b> | Holmen<br>Handles<br>Guidon   | <b>d</b> |
| <b>E</b> | Räder<br>Wheels<br>Roues  | <b>e</b> |
| <b>F</b> | Verdeck, Beschilderung<br>Hood, Labels<br>Capot, Plaques                  | <b>f</b> |

**S  
E  
R  
V  
I  
C  
E**

|          |  |          |
|----------|--|----------|
| <b>S</b> | Serviceteile<br>Service Parts<br>Pièces de service | <b>s</b> |
| <b>V</b> | Varianten<br>Variants<br>Variantes                 | <b>v</b> |
| <b>Z</b> | Zubehör<br>Accessories<br>Accessoires              | <b>z</b> |



Vue d'ensemble



**M9.1 L**

25.8.00

## ACROBAT-Reader Voreinstellungen

### Darstellungsgrösse:

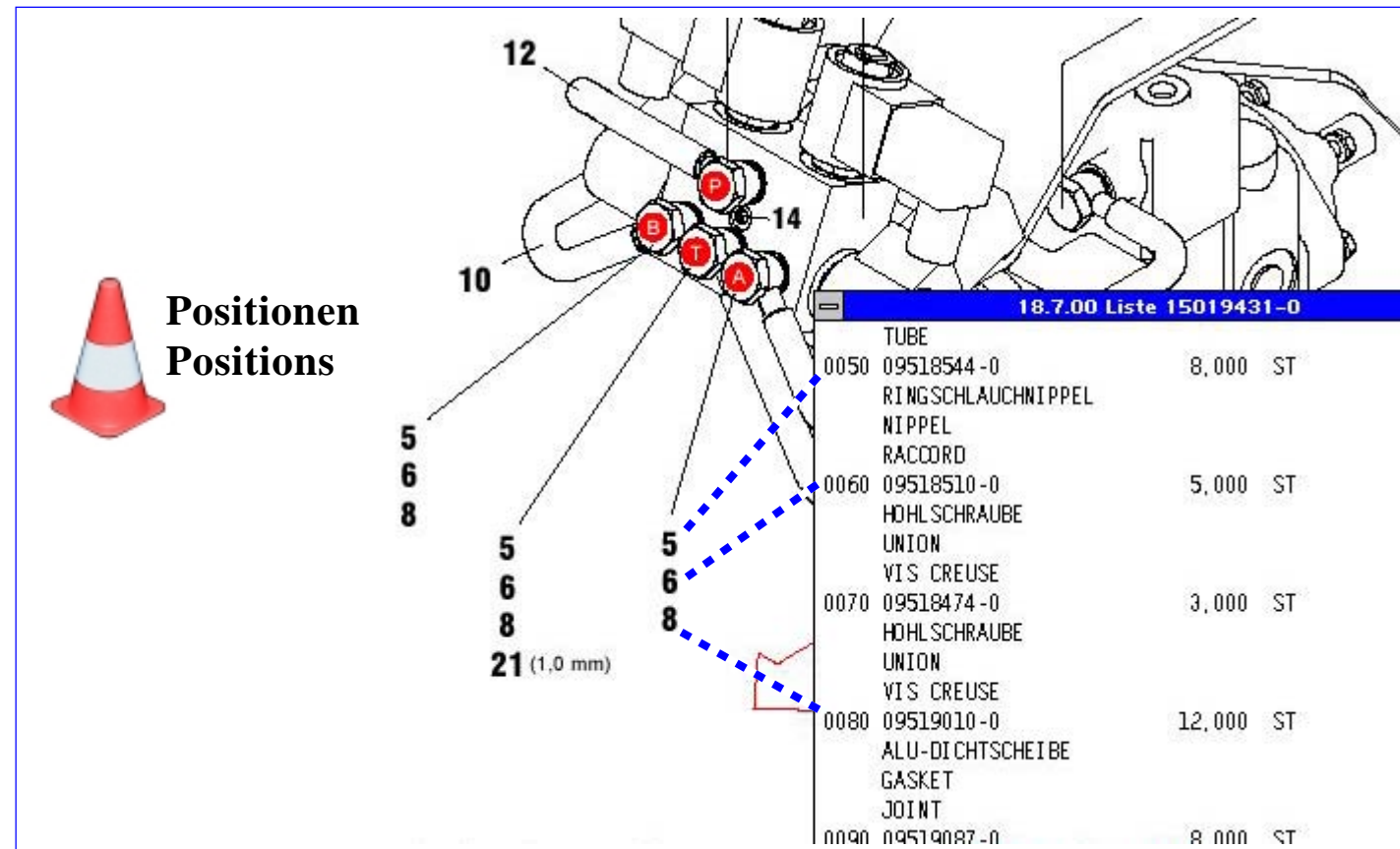
- > Datei
- > Grundeinstellungen
- > Allgemein
- Vergrößerung
- Standardvergrößerung = **Ganze Seite**

- INFO -

## ACROBAT-Reader Presettings

### Display size:

- > File
- > Basic settings
- > General
- Zoom
- Standard zoom = **full page**



### Dimension de l'affichage:

- > Fichier
- > Réglages de base
- > Général
- Grossissement
- Grossissement standard = **page entière**

## ACROBAT-Reader Réglages par défaut



08.04.02



**REFORM M9.1 L**

**A**

**Motor**

**Moteur**

**Engine**

15018403-0

Kupplung (Umbau)

Embrayage (Modification)

Clutch (Modification)

15018403-1

Kupplung

Embrayage

Clutch

15019419-0

Motor GH280 vormontiert

Moteur GH280 montage  
préliminaire

Engine GH280 pre-assembled

15019471-1

Motor GH280 Spezialauspuff

Moteur GH280 échappement  
spécial

Engine GH280 special  
exhaust

**A**

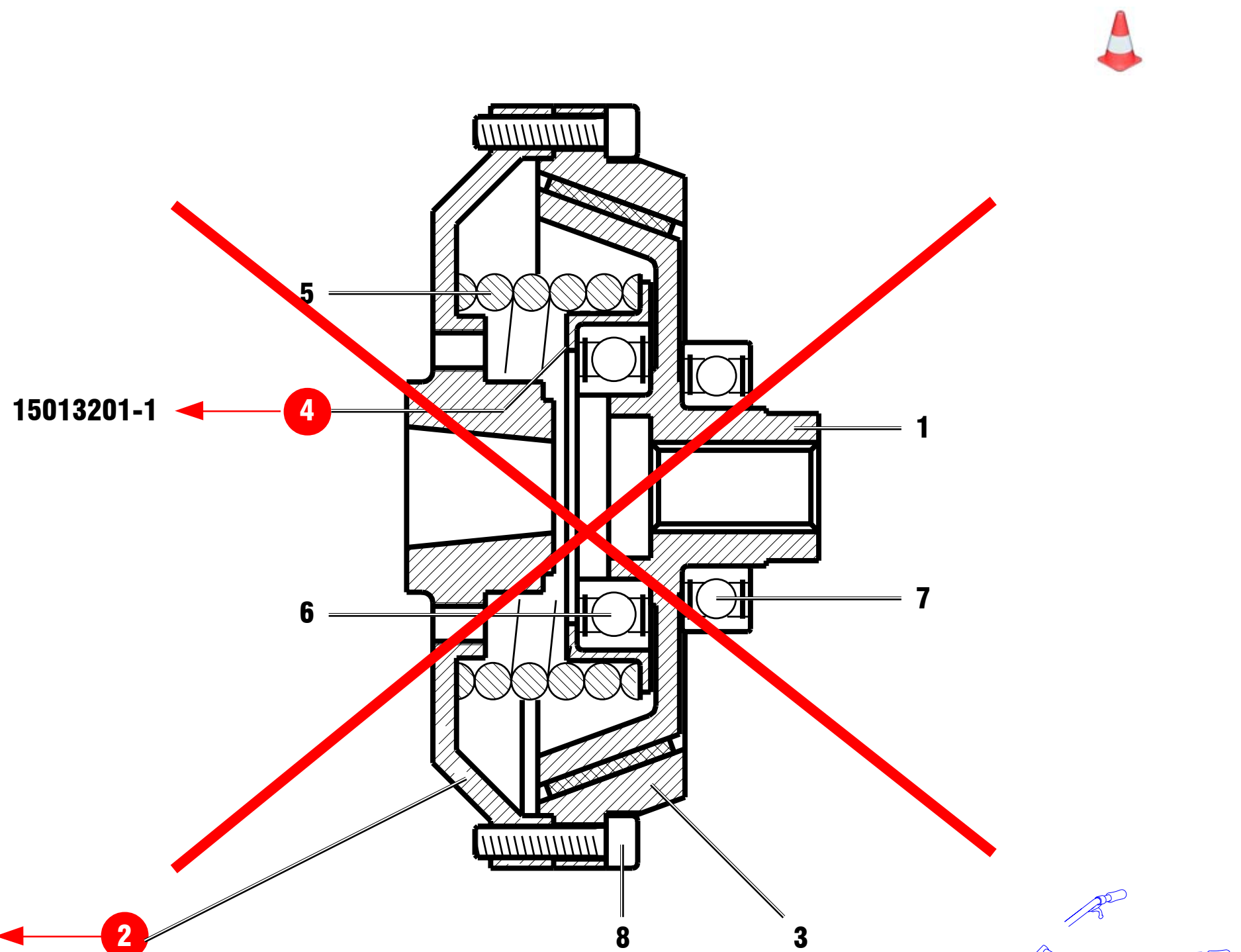
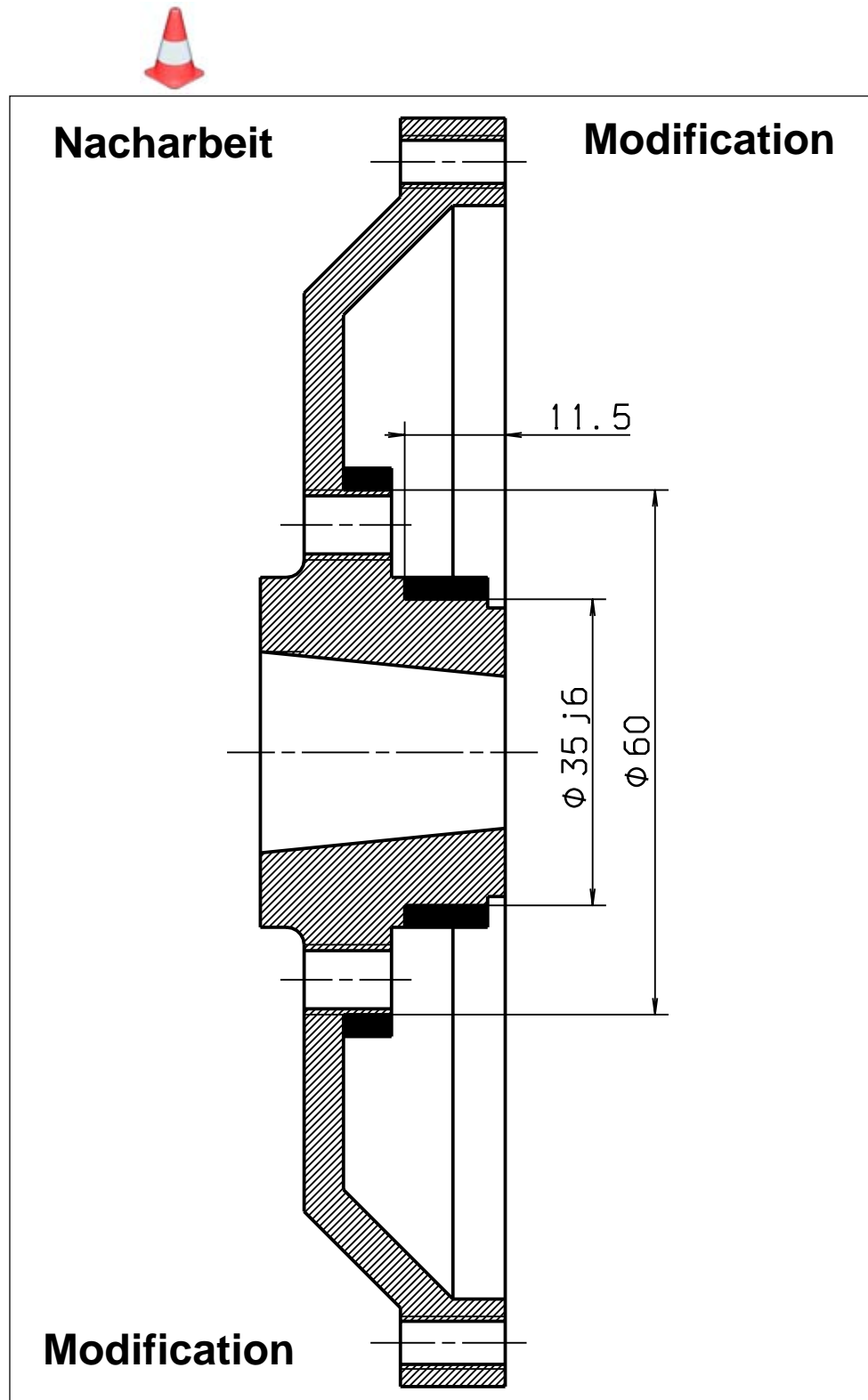
# Kupplung (Umbau)

Montage nach der Nacharbeit gemäss Bild 15018403-1

15018403-0

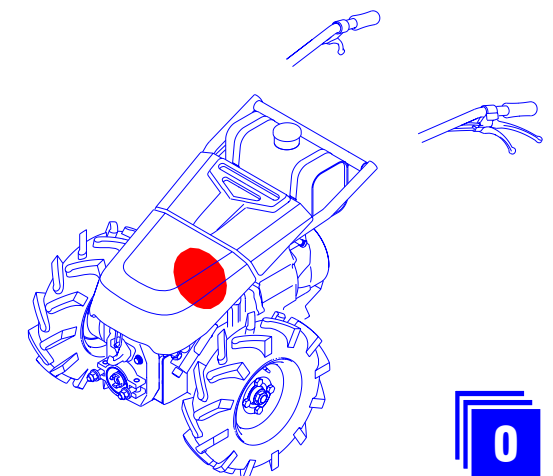
# Clutch (Transformation)

Assembly after modification according to fig.15018403-1



Montage apres modification conformément à fig. 15018403-1

# Embrayage (Modification)



## REFORM M9.1 L

### 08.11.00 LISTE 15018403-0

| PPOS | NR/TEXT  | Q     | QC |
|------|--|-------|----|
| 0010 | 15018402-0<br>KUPPLUNGSMITNEHMER<br>CLOCHE D'EMBRAYAGE<br>CLUTCH HOUSING | 1,000 | ST |
| 0020 | 15018401-0<br>ANTRIEBSPLATTE<br>PLATEAU D'EMBRAYAGE<br>CLUTCH PLATE      | 1,000 | ST |
| 0030 | 15018399-0<br>KUPPLUNGSGLOCKE<br>CONE D'EMBRAYAGE<br>CLUTCH RING         | 1,000 | ST |
| 0040 | 15013201-0<br>DRUCKFLANSCH<br>DISQUE DE RESSORT<br>PRESSURE FLANGE       | 1,000 | ST |
| 0050 | 15018439-0<br>DRUCKFEDER<br>RESSORT<br>SPRING                            | 1,000 | ST |
| 0060 | 01606007-0<br>RILLENKUGELLAGER<br>ROULEMENT<br>BEARING                   | 1,000 | ST |
| 0070 | 01606006-0<br>RILLENKUGELLAGER<br>ROULEMENT<br>BEARING                   | 1,000 | ST |
| 0080 | 92137083-0<br>INNENSECHSKANTSCHRAUBE<br>VIS<br>SCREW                     | 6,000 | ST |

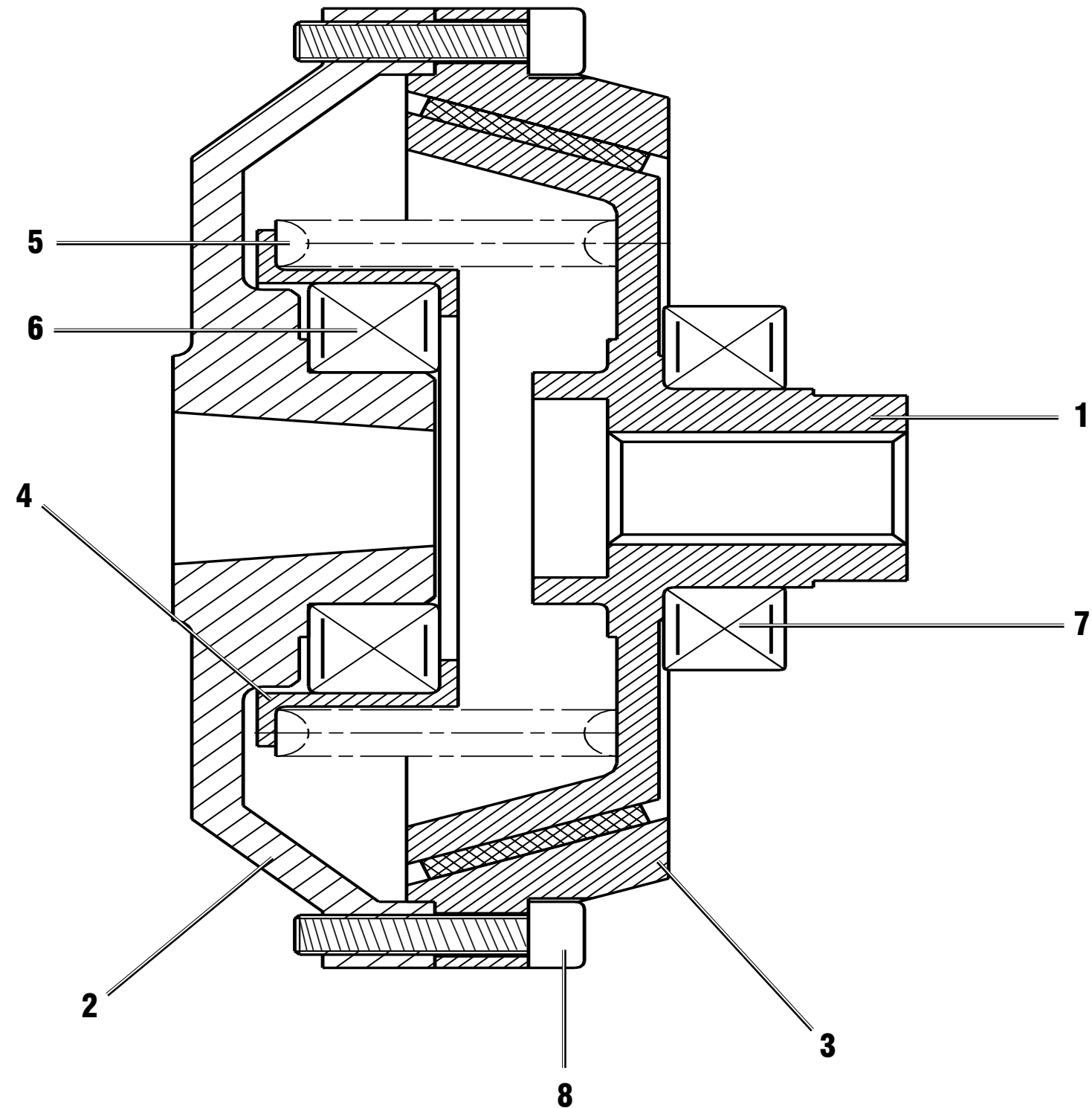
15018403-0

KAP. A

Kupplung

15018403-1

Clutch

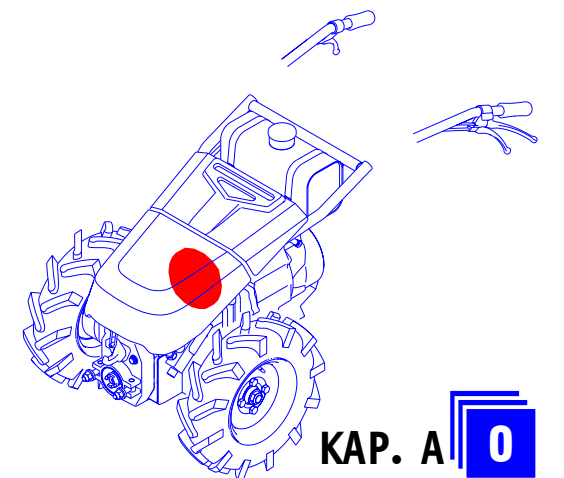


Embrayage



M9.1 L

27.2.02



KAP. A 0



## REFORM M9.1 L

### 27.02.02 LISTE 15018403-1

| PPOS | NR/TEXT  | Q     | QC |
|------|--|-------|----|
| 0010 | 15018402-0<br>KUPPLUNGSMITNEHMER<br>CLOCHE D'EMBRAYAGE<br>CLUTCH HOUSING | 1.000 | ST |
| 0020 | 15018401-1<br>ANTRIEBSPLATTE<br>PLATEAU D'EMBRAYAGE<br>CLUTCH PLATE      | 1.000 | ST |
| 0030 | 15018399-0<br>KUPPLUNGSGLOCKE<br>CONE D'EMBRAYAGE<br>CLUTCH RING         | 1.000 | ST |
| 0040 | 15013201-1<br>DRUCKFLANSCH<br>DISQUE DE RESSORT<br>PRESSURE FLANGE       | 1.000 | ST |
| 0050 | 15018439-0<br>DRUCKFEDER<br>RESSORT<br>SPRING                            | 1.000 | ST |
| 0060 | 01606007-0<br>RILLENKUGELLAGER<br>ROULEMENT<br>BEARING                   | 1.000 | ST |
| 0070 | 01606006-0<br>RILLENKUGELLAGER<br>ROULEMENT<br>BEARING                   | 1.000 | ST |
| 0080 | 92137083-0<br>INNENSECHSKANTSCHRAUBE<br>VIS<br>SCREW                     | 6.000 | ST |

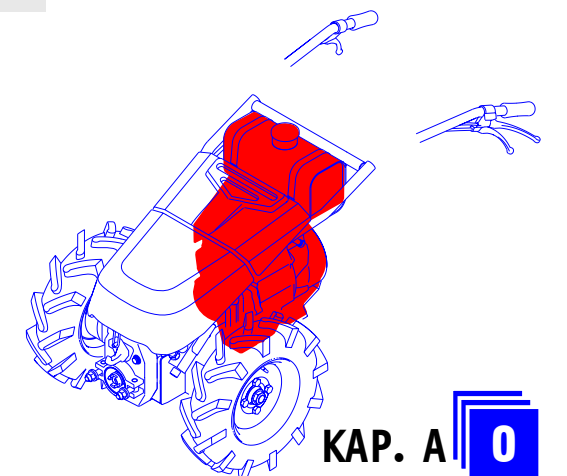
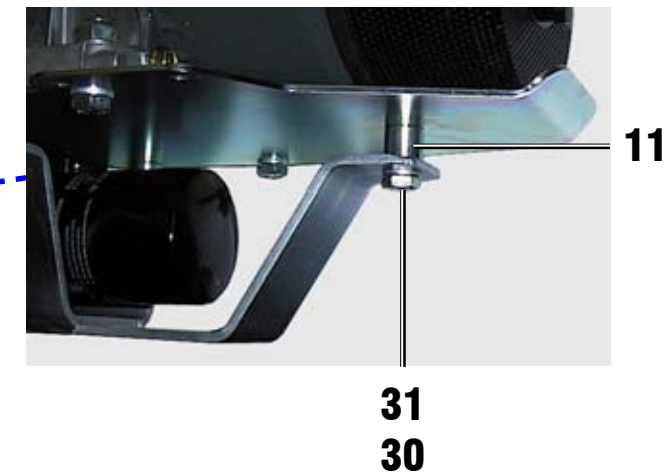
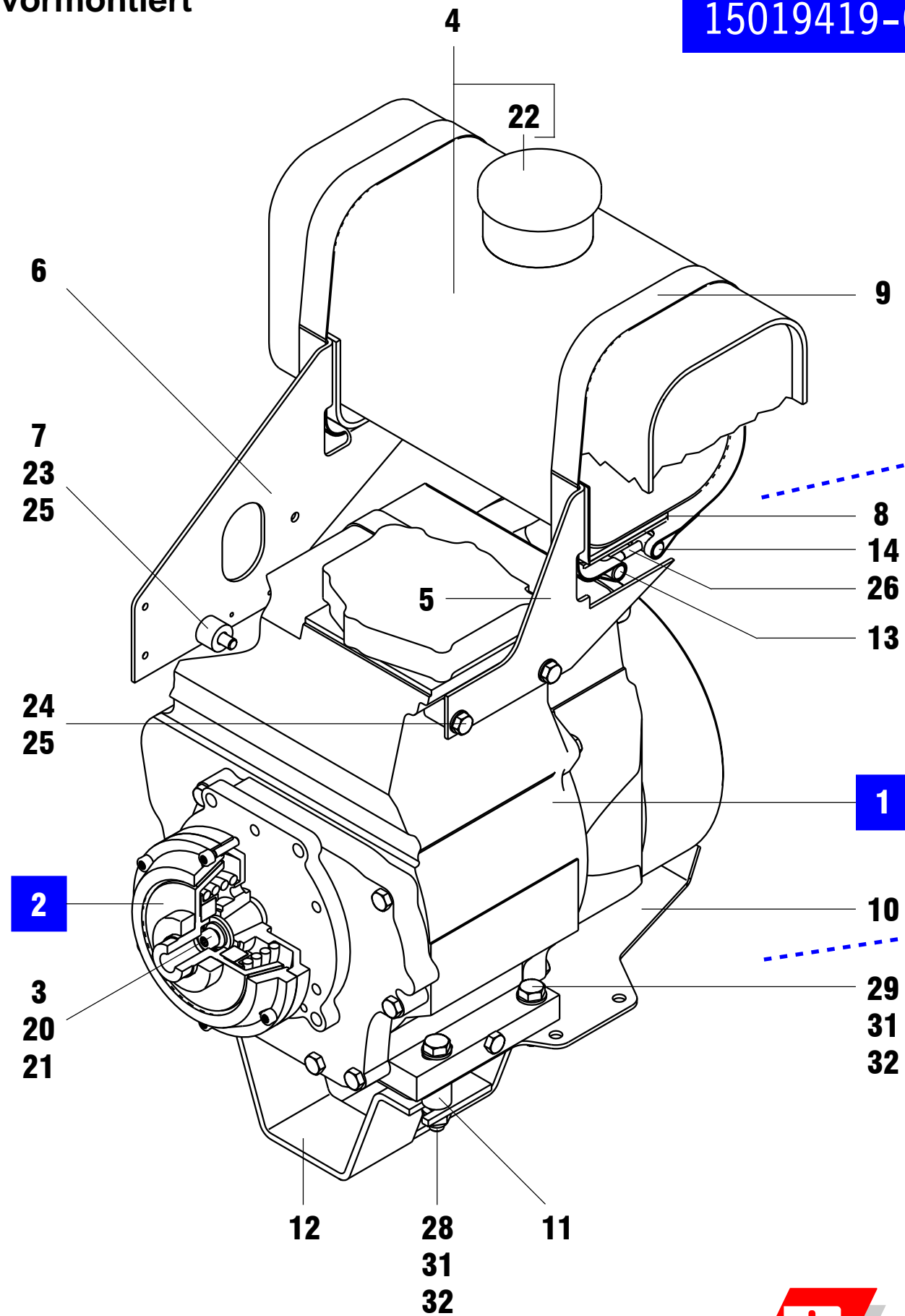
15018403-1

KAP. A

Motor GH280 vormontiert

15019419-0

Engine GH280 pre-assembled



Moteur GH280, montage préliminaire



KAP. A 0

## REFORM M9.1 L

### 08.11.00 LISTE 15019419-0

| PPOS | NR/TEXT             | Q     | QC |      |                        |       |    |      |                        |       |    |      |                    |       |   |
|------|---------------------|-------|----|------|------------------------|-------|----|------|------------------------|-------|----|------|--------------------|-------|---|
| 0010 | 15019471-1          | 1,000 | ST | 0100 | 15019603-0             | 1,000 | ST | 0250 | 93212011-0             | 6,000 | ST | 0360 | 09546414-0         | 0,370 | M |
|      | MOTOR ELITE 9       |       |    |      | BODENPLATTE            |       |    |      | SCHEIBE                |       |    |      | SCHLAUCH PER METER |       |   |
|      | MOTEUR ELITE 9      |       |    |      | PLAQUE                 |       |    |      | RONDELLE               |       |    |      | TUYAU P.METRE      |       |   |
|      | ENGINE ELITE 9      |       |    |      | PLATE                  |       |    |      | WASHER                 |       |    |      | TUBE P.M.          |       |   |
| 0020 | 15018403-1          | 1,000 | ST | 0110 | 15019605-0             | 3,000 | ST | 0260 | 92135086-0             | 2,000 | ST |      |                    |       |   |
|      | KUPPLUNG KPL.       |       |    |      | DISTANZROHR            |       |    |      | INNENSECHSKANTSCHRAUBE |       |    |      |                    |       |   |
|      | EMBRAYAGE CPL.      |       |    |      | TUBE DE DISTANCE       |       |    |      | VIS                    |       |    |      |                    |       |   |
|      | CLUTCH CPL.         |       |    |      | SPACER                 |       |    |      | SCREW                  |       |    |      |                    |       |   |
| 0030 | 15016154-0          | 1,000 | ST | 0120 | 15019604-0             | 1,000 | ST | 0280 | 92067425-0             | 2,000 | ST |      |                    |       |   |
|      | SCHEIBE             |       |    |      | BUEGEL                 |       |    |      | SECHSKANTSCHRAUBE      |       |    |      |                    |       |   |
|      | RONDELLE            |       |    |      | ETRIER                 |       |    |      | VIS                    |       |    |      |                    |       |   |
|      | WASHER              |       |    |      | HOOP                   |       |    |      | SCREW                  |       |    |      |                    |       |   |
| 0040 | 15019495-0          | 1,000 | ST | 0130 | 15019688-0             | 2,000 | ST | 0290 | 92067420-0             | 2,000 | ST |      |                    |       |   |
|      | KRAFTSTOFFTANK      |       |    |      | WELLE                  |       |    |      | SECHSKANTSCHRAUBE      |       |    |      |                    |       |   |
|      | RESERVOIR           |       |    |      | ARBRE                  |       |    |      | VIS                    |       |    |      |                    |       |   |
|      | TANK                |       |    |      | SHAFT                  |       |    |      | SCREW                  |       |    |      |                    |       |   |
| 0050 | 15019496-0          | 1,000 | ST | 0140 | 15019689-0             | 2,000 | ST | 0300 | 92097415-0             | 1,000 | ST |      |                    |       |   |
|      | TANKTRAEGER LINKS   |       |    |      | WELLE                  |       |    |      | SECHSKANTSCHRAUBE      |       |    |      |                    |       |   |
|      | SUPPORT GAUCHE      |       |    |      | ARBRE                  |       |    |      | VIS                    |       |    |      |                    |       |   |
|      | SUPPORT LH          |       |    |      | SHAFT                  |       |    |      | SCREW                  |       |    |      |                    |       |   |
| 0060 | 15019497-0          | 1,000 | ST | 0200 | 93701009-0             | 1,000 | ST | 0310 | 93212012-0             | 9,000 | ST |      |                    |       |   |
|      | TANKTRAEGER RECHTS  |       |    |      | SPANNSCHEIBE           |       |    |      | SCHEIBE                |       |    |      |                    |       |   |
|      | SUPPORT DROIT       |       |    |      | RONDELLE ELASTIQUE     |       |    |      | RONDELLE               |       |    |      |                    |       |   |
|      | SUPPORT RH          |       |    |      | STRAIN WASHER          |       |    |      | WASHER                 |       |    |      |                    |       |   |
| 0070 | 15019600-0          | 2,000 | ST | 0210 | 92140589-0             | 1,000 | ST | 0320 | 93086056-0             | 4,000 | ST |      |                    |       |   |
|      | DISTANZROHR         |       |    |      | INNENSECHSKANTSCHRAUBE |       |    |      | SICHERUNGSMUTTER       |       |    |      |                    |       |   |
|      | TUBE DE DISTANCE    |       |    |      | VIS                    |       |    |      | ECROU                  |       |    |      |                    |       |   |
|      | SPACER              |       |    |      | SCREW                  |       |    |      | NUT                    |       |    |      |                    |       |   |
| 0080 | 15019602-0          | 2,000 | ST | 0220 | 09531139-0             | 1,000 | ST | 0330 | 09518684-0             | 1,000 | ST |      |                    |       |   |
|      | GUMMIUNTERLAGE      |       |    |      | TANKVERSCHLUSSDECKEL   |       |    |      | T-SCHLAUCHSTUTZEN      |       |    |      |                    |       |   |
|      | BANDE EN CAOUTCHOUC |       |    |      | COUVERCLE DE RESERVOIR |       |    |      | RACCORD                |       |    |      |                    |       |   |
|      | RUBBER BANDE        |       |    |      | CAB FUEL TANK          |       |    |      | CONNECTOR              |       |    |      |                    |       |   |
| 0090 | 15019601-0          | 2,000 | ST | 0230 | 92097378-0             | 2,000 | ST | 0340 | 09546414-0             | 0,120 | M  |      |                    |       |   |
|      | TANKBAND            |       |    |      | SECHSKANTSCHRAUBE      |       |    |      | SCHLAUCH PER METER     |       |    |      |                    |       |   |
|      | RUBAN RESERVOIR     |       |    |      | VIS A TETE HEXAGONALE  |       |    |      | TUYAU P.METRE          |       |    |      |                    |       |   |
|      | TANK BAND           |       |    |      | HEX SCREW              |       |    |      | TUBE P.M.              |       |    |      |                    |       |   |
|      |                     |       |    | 0240 | 92097374-0             | 2,000 | ST | 0350 | 09546414-0             | 0,050 | M  |      |                    |       |   |
|      |                     |       |    |      | SECHSKANTSCHRAUBE      |       |    |      | SCHLAUCH PER METER     |       |    |      |                    |       |   |
|      |                     |       |    |      | VIS                    |       |    |      | TUYAU P.METRE          |       |    |      |                    |       |   |
|      |                     |       |    |      | SCREW                  |       |    |      | TUBE P.M.              |       |    |      |                    |       |   |

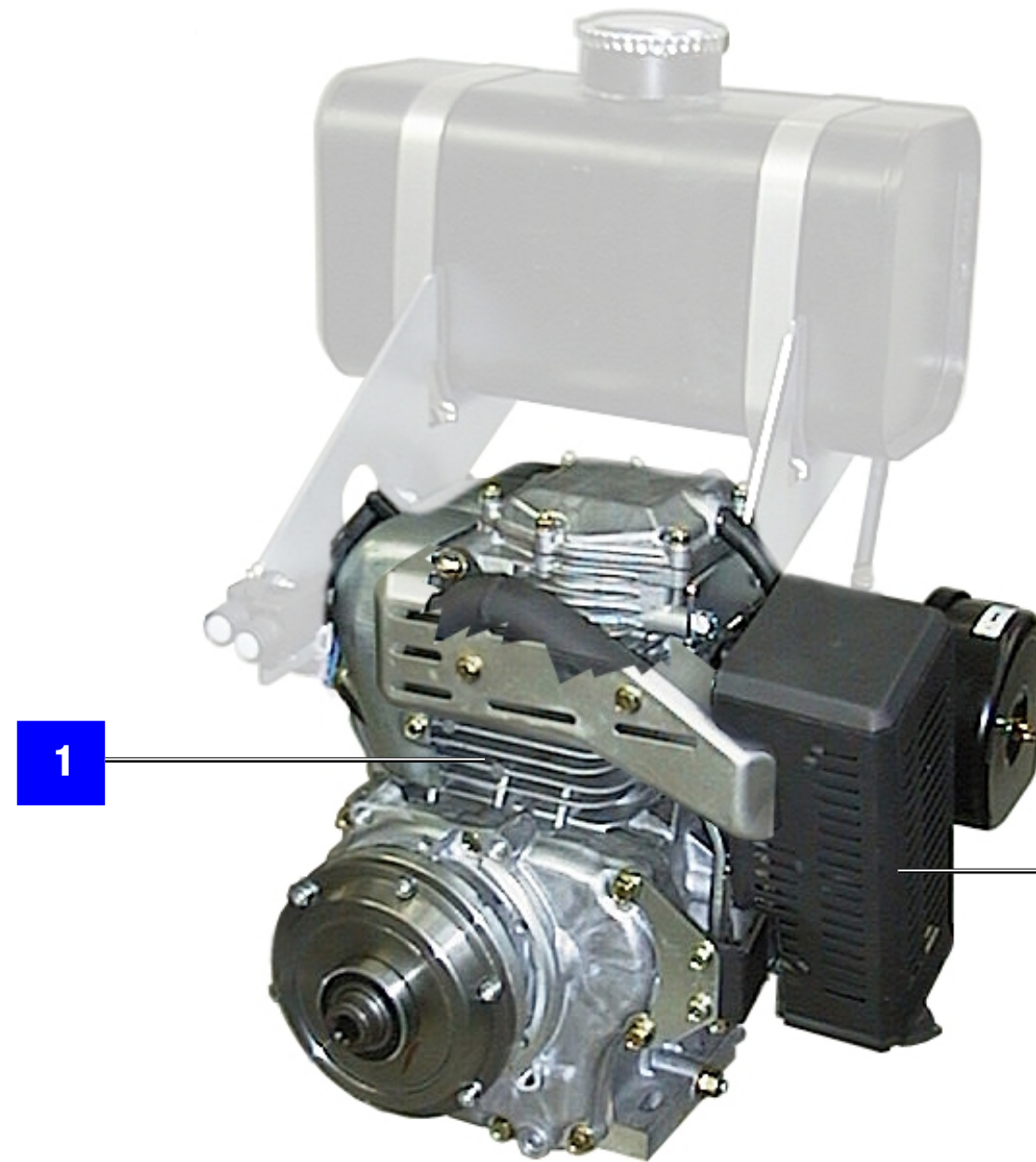
## Motor GH280

Die Bestellnummer für den Motor mit Spezialauspuff ist 15019471-1

15019471-1

## Engine GH280

The order number of the Engine with special exhaust is 15019471-1



2



Spezialauspuff  
Special exhaust  
Échappement spécial

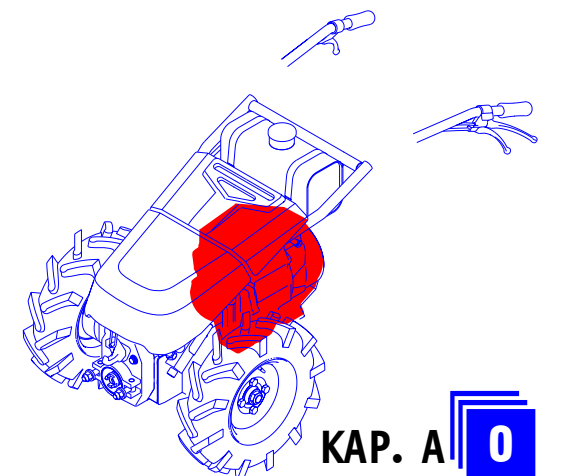
Le numéro de commande pour le moteur avec échappement spécial est 15019471-1

## Moteur GH280



**M9.1 L**

8.11.00



KAP. A

0

# REFORM *M9.1 L*

## 08.11.00 LISTE 15019471-1

| PPOS | NR/TEXT              | Q     | QC |
|------|----------------------|-------|----|
| 0010 | 15018449-0           | 1,000 | ST |
|      | MOTOR KPL. ELITE 7   |       |    |
|      | MOTEUR CPL. ELITE 7  |       |    |
|      | ENGINE ASSY. ELITE 7 |       |    |
| 0020 | 15019776-0           | 1,000 | ST |
|      | SCHALLDAEMPFER       |       |    |
|      | GH 280 ELITE 9       |       |    |
|      | ECHAPPEMENT          |       |    |
|      | GH 280 ELITE 9       |       |    |
|      | EXHAUST SILENCER     |       |    |
|      | GH 280 ELITE 9       |       |    |

150194471-1

KAP. A



**REFORM M9.1 L****B****Antriebseinheit****Unité d'entraînem.****Drive unit**

15019261-0

Verstellpumpe mechanisch

Pompe à cylindrée  
variable, mech.Variable displacement  
pump, mech.

15019262-0

Verstellpumpe hydraulisch

Pompe à cylindrée  
variable, hydr.Variable displacement  
pump, hydr.

15019299-0

Feststellbremse

Frein de stationnement

Parkingbrake

15019400-0

Zapfwellengetriebe

Transmission PDF

PTO gear

15019421-0

Motorflansch/Hydropumpe,  
mech.Flasque de moteur/pompe  
hydr.,méc.Engine flange/hydraulic  
pump, mech.

15019422-0

Motorflansch/Hydropumpe,  
hydr.Flasque de moteur/pompe  
hydr.,hydr.Engine flange/hydraulic  
pump, hydr.

15019423-0

Chassis und Hydromotoren

Chassis et hydromoteurs

Chassis and hydromotors

15019722-0

Radabschaltung

Roues libre

Free wheels

15020204-0

Vorschubfeinsteuerung

Réglage en finesse de  
l'entraînement d'avancementFine adjustment of wheel  
drive control**B**

# Verstellpumpe

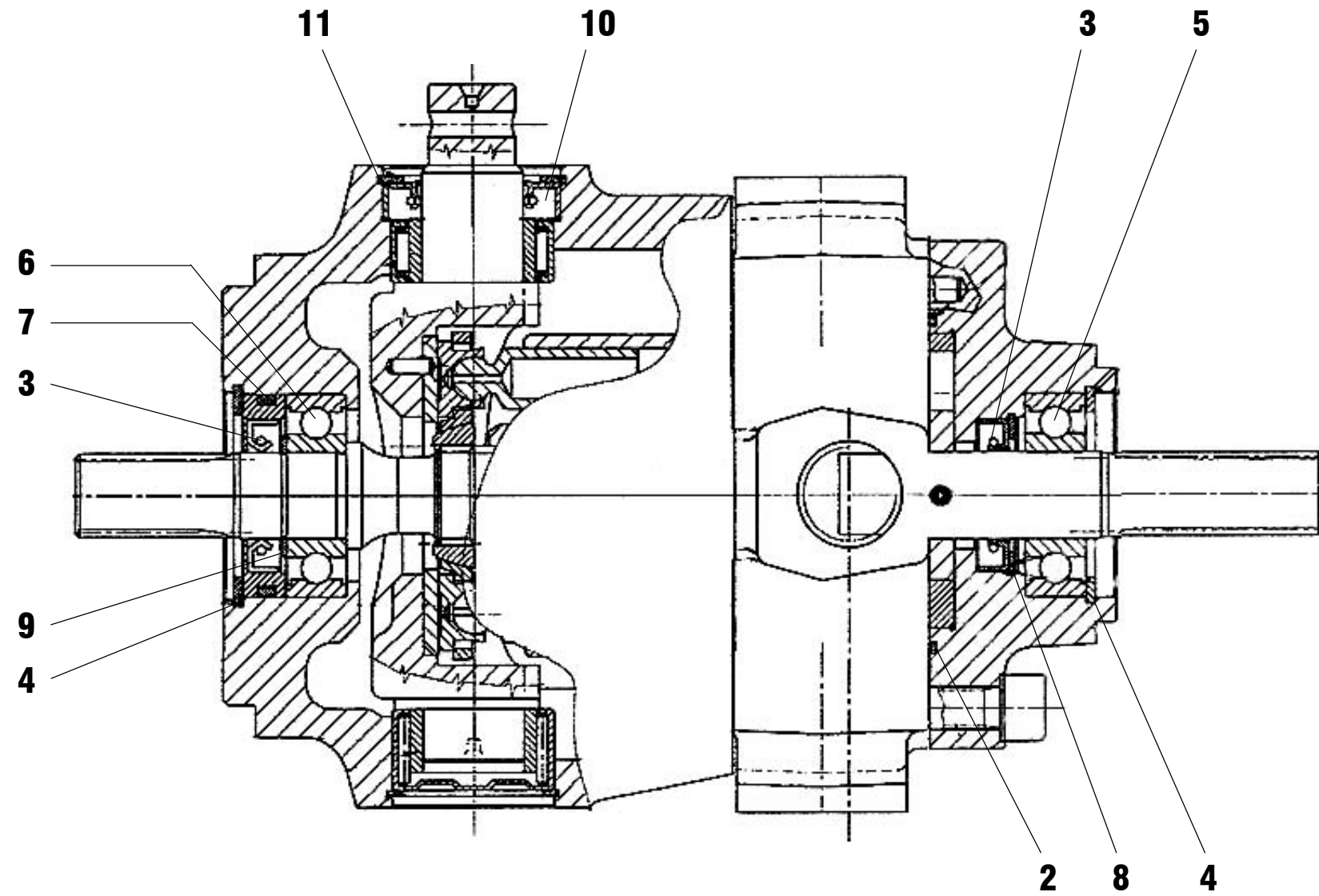
Mechanische Pumpenverstellung



15019261-0

# Variable displacement pump

Mechanical pump regulation



Réglage mécanique de la pompe

# Pompe à cylindrée variable



M9.1 L / M9.2 L

24.8.00

KAP. B **0**



**REFORM M9.1 L / M9.2 L**

**05.12.00 LISTE 15019261-0**

| PPOS | NR/TEXT   | Q     | QC |
|------|---|-------|----|
| 0020 | 17905153-0<br>O-RING<br>JOINT TORIQUE<br>O RING                   | 1,000 | ST |
| 0030 | 17950152-0<br>DISTANZSCHEIBE<br>RONDELLE D'ECARTEMENT<br>SHIM     | 2,000 | ST |
| 0040 | 09500340-0<br>SICHERUNGSRING<br>CIRCLIP<br>SNAP RING              | 2,000 | ST |
| 0050 | 01606203-0<br>RILLENKUGELLAGER<br>ROULEMENT<br>BEARING            | 1,000 | ST |
| 0060 | 00006203-0<br>RILLENKUGELLAGER<br>ROULEMENT<br>BEARING            | 1,000 | ST |
| 0070 | 09534126-0<br>O-RING<br>JOINT TORIQUE<br>O RING                   | 1,000 | ST |
| 0080 | 09500330-0<br>SICHERUNGSRING<br>CIRCLIP<br>SNAP RING              | 1,000 | ST |
| 0090 | 09500017-0<br>SICHERUNGSRING<br>CIRCLIP<br>SNAP RING              | 1,000 | ST |
| 0100 | 09501041-0<br>WELLENDICHTRING<br>JOINT D'ETANCHEITE<br>SHAFT SEAL | 1,000 | ST |

|      |  |       |    |
|------|--|-------|----|
| 0110 | 09500335-0<br>SICHERUNGSRING<br>CIRCLIP<br>SNAP RING | 1,000 | ST |
|------|--|-------|----|

# Verstellpumpe

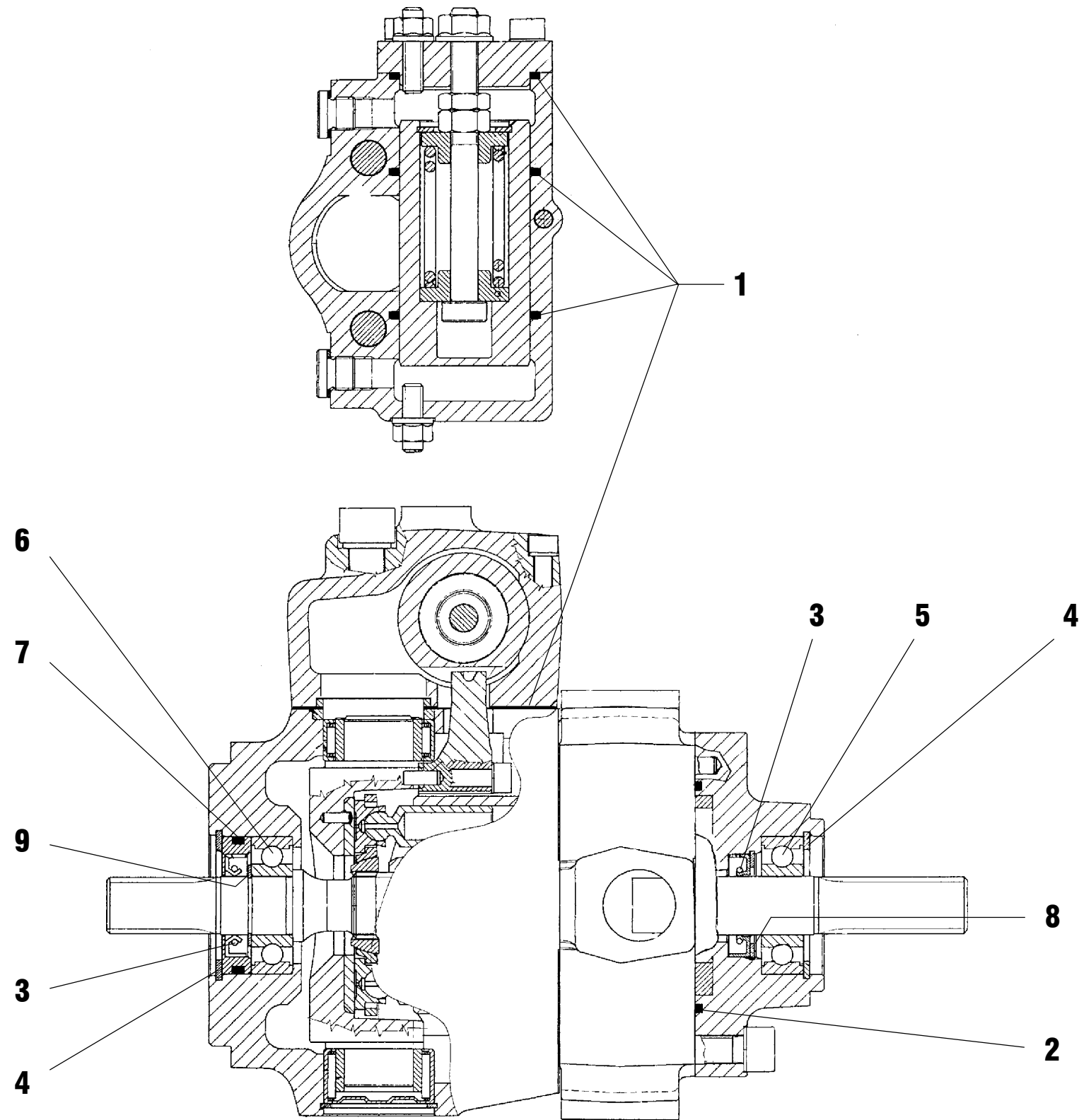
Hydraulische Pumpenverstellung



15019262-0

# Variable displacement pump

Hydraulic pump regulation



Réglage hydraulique de la pompe

# Pompe à cylindrée variable



M9.1 L / M9.2 L

24.8.00



## REFORM M9.1 L / M9.2 L

### 05.12.00 LISTE 15019262-0

| PPOS | NR/TEXT   | Q     | QC |
|------|---|-------|----|
| 0010 | 17905154-0<br>DICHTUNGSSATZ<br>JEU DE JOINTS<br>GASKET SET        | 1,000 | ST |
| 0020 | 17905153-0<br>O-RING<br>JOINT TORIQUE<br>O RING                   | 1,000 | ST |
| 0030 | 17905152-0<br>WELLENDICHTRING<br>JOINT D'ETANCHEITE<br>SHAFT SEAL | 2,000 | ST |
| 0040 | 09500340-0<br>SICHERUNGSRING<br>CIRCLIP<br>SNAP RING              | 2,000 | ST |
| 0050 | 01606203-0<br>RILLENKUGELLAGER<br>ROULEMENT<br>BEARING            | 1,000 | ST |
| 0060 | 00006203-0<br>RILLENKUGELLAGER<br>ROULEMENT<br>BEARING            | 1,000 | ST |
| 0070 | 09534126-0<br>O-RING<br>JOINT TORIQUE<br>O RING                   | 1,000 | ST |
| 0080 | 09500330-0<br>SICHERUNGSRING<br>CIRCLIP<br>SNAP RING              | 1,000 | ST |
| 0090 | 09500017-0<br>SICHERUNGSRING<br>CIRCLIP<br>SNAP RING              | 1,000 | ST |

15019262-0

KAP. B

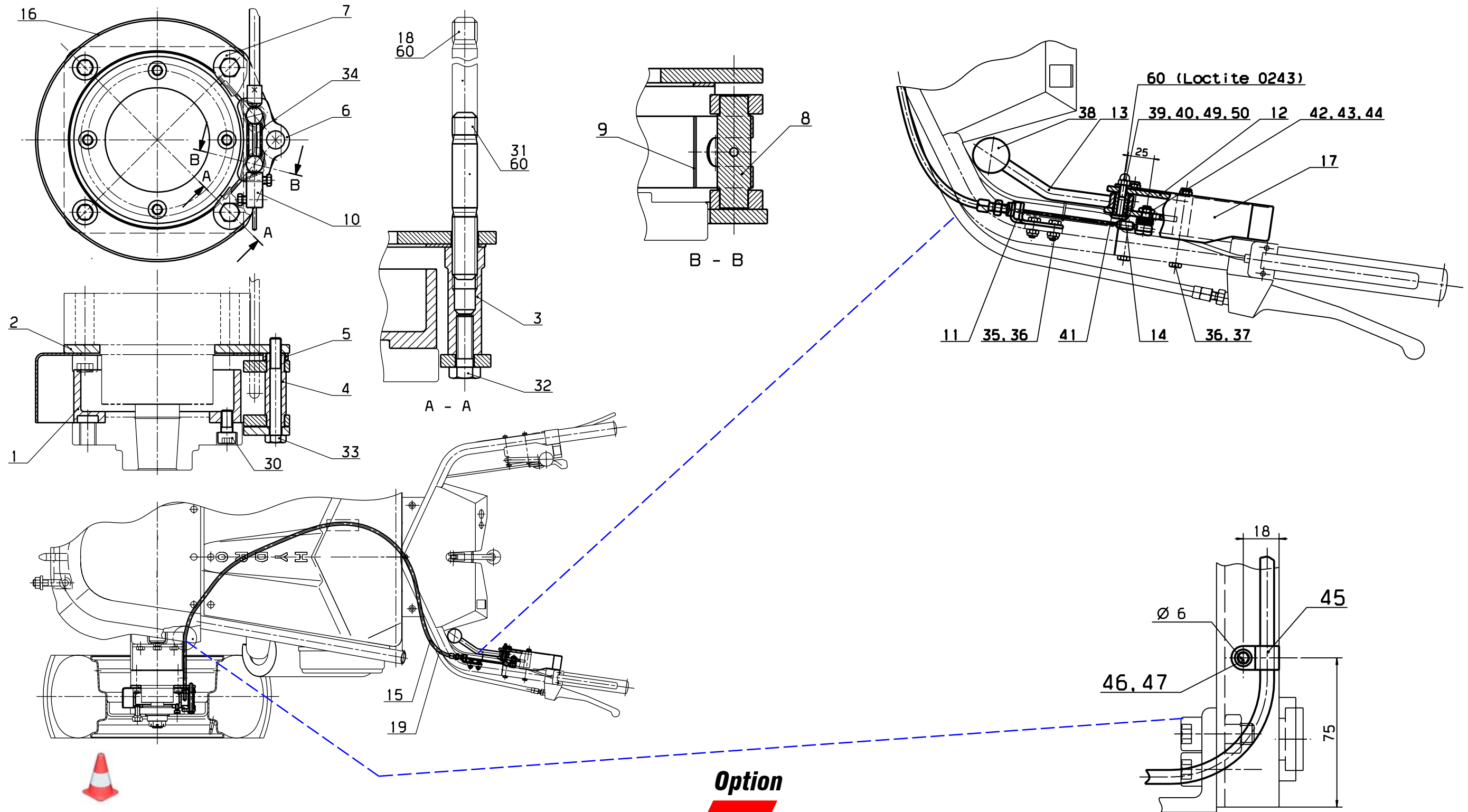
# Feststellbremse

Nur mit Bereifung 5.00-10 AS nicht mit 21x11.00-8

15019299-0

# Parkingbrake

Only with wheels 5.00-10 AS not 21x11.00-8



Seulement avec roues 5.00-10 AS pas avec 21x11.00-8

Frein de stationnement agissant sur la roue gauche



M9.1 L / M9.2 L

2.3.02



## REFORM M9.1 L / M9.2 L

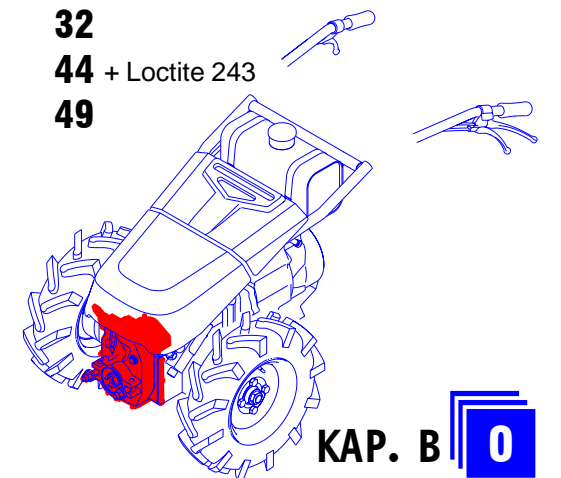
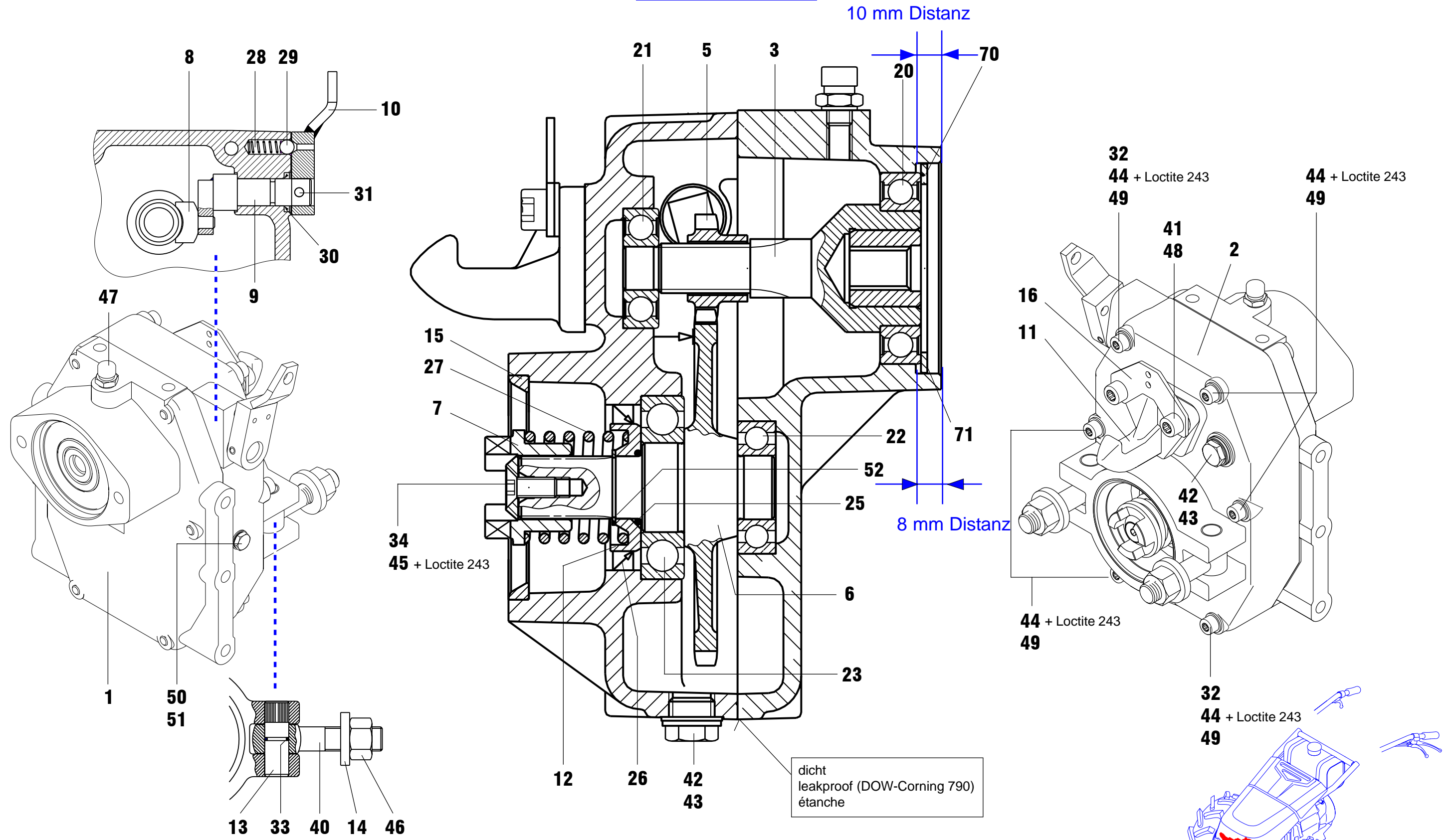
### 02.04.02 LISTE 15019299-0

| PPOS | NR/TEXT   | Q     | QC |
|------|---|-------|----|
| 0010 | 15019292-0<br>BREMSTROMMEL<br>TAMBOUR DE FREIN<br>BRAKE DRUM    | 1.000 | ST |
| 0020 | 15019293-0<br>BREMSTRAEGER<br>SUPPORT DE FREIN<br>BRAKE SUPPORT | 1.000 | ST |
| 0030 | 15019296-0<br>SCHRAUBE<br>VIS<br>SCREW                          | 2.000 | ST |
| 0040 | 15019297-0<br>ROHR<br>TUBE<br>SPACER                            | 1.000 | ST |
| 0050 | 15019302-0<br>DISTANZROHR<br>TUBE DE DISTANCE<br>SPACER         | 1.000 | ST |
| 0060 | 15019295-0<br>WIPPE<br>BASCULE<br>ROCKER                        | 2.000 | ST |
| 0070 | 15019294-0<br>HALTER<br>APPUI<br>HOLDER                         | 1.000 | ST |
| 0080 | 15019298-0<br>BREMSSCHLUESSEL<br>CLEF DE FREIN<br>BRAKE KEY     | 2.000 | ST |
| 0090 | 15019301-0<br>BREMSBAND<br>COILLER DE FREIN<br>BRAKE RIBBON     | 1.000 | ST |
| 0100 | 15017725-0<br>ENDNIPPEL KPL.<br>NIPPLE<br>NIPPLE                | 1.000 | ST |

|      |  |       |    |
|------|--|-------|----|
| 0110 | 15019339-0<br>HALTER BREMSE<br>APPUI DE FREIN<br>BRAKE HOLDER                  | 1.000 | ST |
| 0120 | 15019343-0<br>150 19 343-0:TRAEGER BREMSE<br>SUPPORT DE FREIN<br>BRAKE SUPPORT | 1.000 | ST |
| 0130 | 15019341-0<br>HEBEL BREMSE<br>LEVIER DE FREIN<br>BRAKE LEVER                   | 1.000 | ST |
| 0140 | 15019032-0<br>DISTANZROHR<br>TUBE DE DISTANCE<br>SPACER                        | 1.000 | ST |
| 0150 | 15019333-0<br>SCHALKABEL<br>CABLE DE COMMANDE<br>COMMANDER CABLE               | 1.000 | ST |
| 0160 | 15019404-0<br>WICKELSCHUTZ<br>PROTECTION<br>PROTECTION                         | 1.000 | ST |
| 0170 | 15019410-0<br>ABDECKUNG<br>COUVERTURE<br>COVERING                              | 1.000 | ST |
| 0180 | 15019411-0<br>STIFTSCHRAUBE<br>GOUJOU<br>SCREW                                 | 2.000 | ST |
| 0190 | 15019412-0<br>SCHALKABEL<br>CABLE DE COMMANDE<br>COMMANDER CABLE               | 1.000 | ST |
| 0300 | 92135117-0<br>INNENSECHSKANTSCHRAUBE<br>VIS<br>SCREW                           | 4.000 | ST |
| 0310 | 92716783-0<br>STIFTSCHRAUBE<br>GOUJOU<br>SCREW                                 | 2.000 | ST |

|      |   |       |    |
|------|---|-------|----|
| 0320 | 92097376-0<br>SECHSKANTSCHRAUBE<br>VIS A TETE HEXAGONALE<br>HEX SCREW | 2.000 | ST |
| 0330 | 92067389-0<br>SECHSKANTSCHRAUBE<br>VIS<br>SCREW                       | 1.000 | ST |
| 0340 | 09502013-0<br>DRUCKFEDER<br>RESSORT<br>PRESSURE SPRING                | 1.000 | ST |
| 0350 | 92097299-0<br>SECHSKANTSCHRAUBE<br>VIS<br>SCREW                       | 2.000 | ST |
| 0360 | 93086054-0<br>SICHERUNGSMUTTER<br>ECROU<br>NUT                        | 4.000 | ST |
| 0370 | 92067316-0<br>SECHSKANTSCHRAUBE<br>VIS<br>SCREW                       | 2.000 | ST |
| 0380 | 09584140-0<br>KUGELGRIFF<br>POIGNEE<br>KNOB                           | 1.000 | ST |
| 0390 | 92153054-0<br>SENKSCHRAUBE<br>VIS<br>SCREW                            | 1.000 | ST |
| 0400 | 93285507-0<br>SCHEIBE<br>RONDELLE<br>WASHER                           | 1.000 | ST |
| 0410 | 09505035-0<br>GLEITLAGER<br>DOUILLE<br>BUSHING                        | 2.000 | ST |
| 0420 | 92296278-0<br>FLACHKOPFSCHRAUBE<br>VIS<br>SCREW                       | 1.000 | ST |

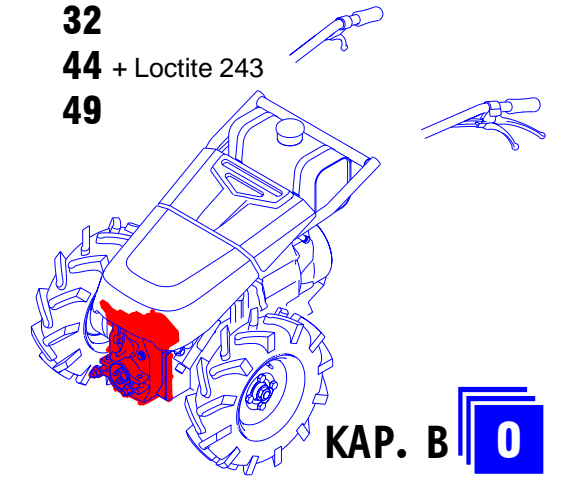
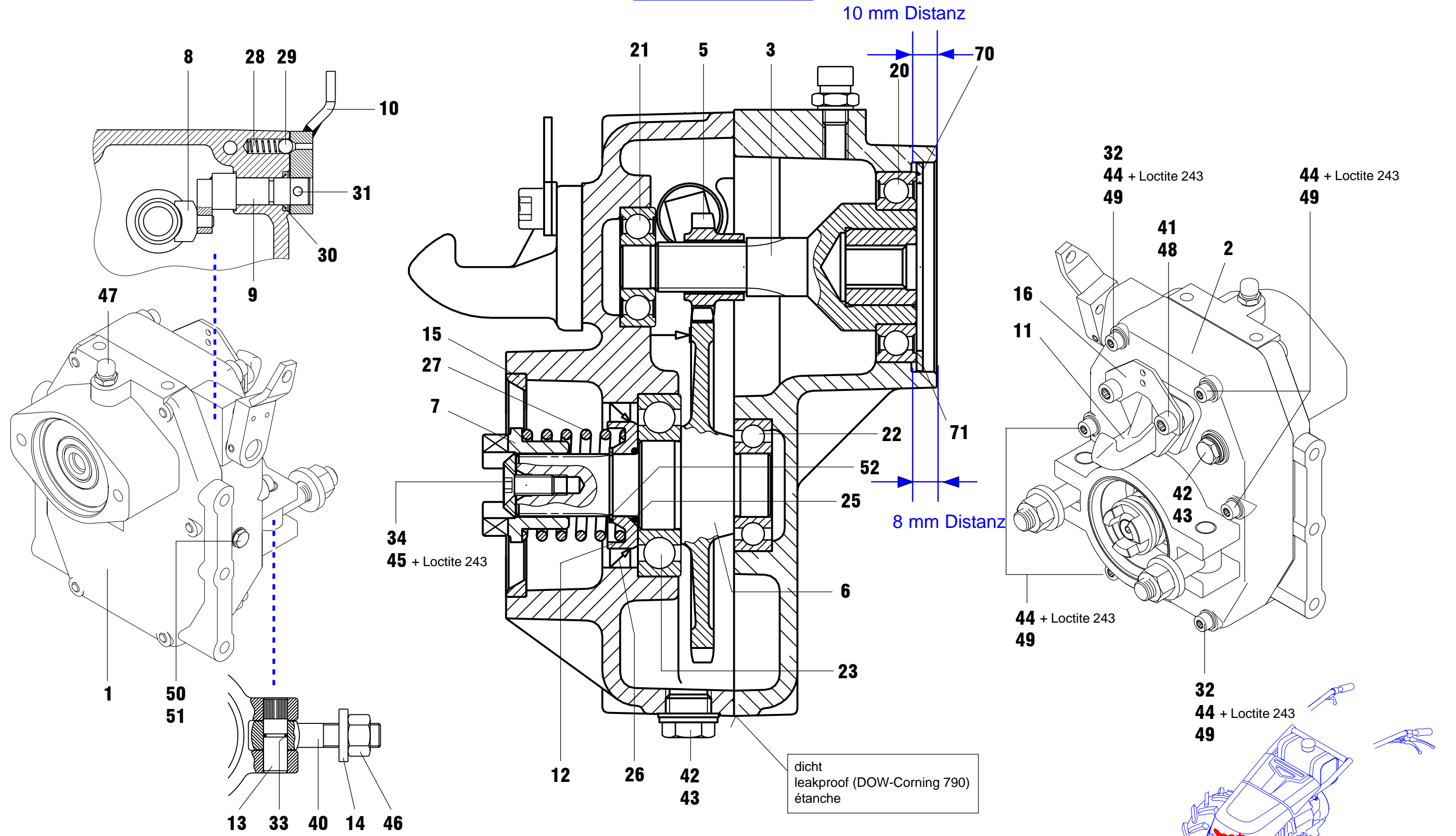
|      |  |       |    |
|------|--|-------|----|
| 0430 | 93212011-0<br>SCHEIBE<br>RONDELLE<br>WASHER  | 4.000 | ST |
| 0440 | 93041010-0<br>SECHSKANTMUTTER FLACH<br>ECROU<br>NUT  | 1.000 | ST |
| 0450 | 09549135-0<br>ROHRSCHELLE<br>COLLIER<br>COLLAR   | 1.000 | ST |
| 0460 | 92137042-0<br>INNENSECHSKANTSCHRAUBE<br>VIS A SIX PANS CREUX<br>HEX.SOCKET HEAD SCREW  | 1.000 | ST |
| 0470 | 93086053-0<br>SICHERUNGSMUTTER<br>ECROU<br>NUT   | 1.000 | ST |
| 0480 | 09293011-0<br>FALTBOXE 310X240X180<br>CARTON PLIANT 310X240X180<br>FLEXIBLE BOX 310X240X180  | 1.000 | ST |
| 0490 | 93140101-0<br>HUTMUTTER<br>ECROU BORGNE<br>NUT   | 1.000 | ST |
| 0500 | 93281004-0<br>SCHEIBE<br>RONDELLE<br>WASHER  | 1.000 | ST |
| 0600 | 09294120-0<br>SCHRAUBENSICHERUNGSMITTEL<br>LOCTITE 243<br>PRODUIT DE BLOCAGE DE VIS<br>LOCTITE 243<br>THREAD-LOCKING COMPOUND LOCTITE<br>243 | 0.010 | ST |



## REFORM M9.1 L

### 27.02.02 LISTE 15019400-0

| PPOS | NR/TEXT               | Q     | QC |      |                   |       |    |      |                    |       |    |      |                          |       |    |
|------|-----------------------|-------|----|------|-------------------|-------|----|------|--------------------|-------|----|------|--------------------------|-------|----|
| 0010 | 15019374-0            | 1,000 | ST | 0110 | 15018158-1        | 1,000 | ST | 0250 | 09504357-0         | 1,000 | ST | 0400 | 92510439-0               | 2,000 | ST |
|      | ZAPFWELLENGEHAEUSE    |       |    |      | HAKEN             |       |    |      | O-RING             |       |    |      | AUGENSCHRAUBE            |       |    |
|      | BOITIER               |       |    |      | CROCHET           |       |    |      | JOINT TORIQUE      |       |    |      | BOULON A OEILLET         |       |    |
|      | HOUSING               |       |    |      | HOOK              |       |    |      | O RING             |       |    |      | SCREW                    |       |    |
| 0020 | 15019373-0            | 1,000 | ST | 0120 | 15018173-0        | 1,000 | ST | 0260 | 09501328-0         | 1,000 | ST | 0410 | 92137658-0               | 2,000 | ST |
|      | ZAPFWELLENGEHAEUSE    |       |    |      | STUETZRING        |       |    |      | WELLENDICHTRING    |       |    |      | INNENSECHSKANTSCHRAUBE   |       |    |
|      | BOITIER               |       |    |      | BAGUE             |       |    |      | JOINT D'ETANCHEITE |       |    |      | VIS A SIX PANS CREUX     |       |    |
|      | HOUSING               |       |    |      | RING              |       |    |      | SHAFT SEAL         |       |    |      | SOCKET HEAD CAP SCREW    |       |    |
| 0030 | 15019397-1            | 1,000 | ST | 0130 | 15009923-0        | 2,000 | ST | 0270 | 09502034-0         | 1,000 | ST | 0420 | 92670006-0               | 2,000 | ST |
|      | SCHALTWELLE           |       |    |      | BOLZEN            |       |    |      | DRUCKFEDER         |       |    |      | VERSCHLUSSCHRAUBE        |       |    |
|      | ARBRE                 |       |    |      | AXE               |       |    |      | RESSORT            |       |    |      | BOUCHON                  |       |    |
|      | SHAFT                 |       |    |      | PIN               |       |    |      | SPRING             |       |    |      | PLUG                     |       |    |
| 0050 | 15004176-0            | 1,000 | ST | 0140 | 10320116-0        | 2,000 | ST | 0280 | 10510243-0         | 1,000 | ST | 0430 | 09519018-0               | 2,000 | ST |
|      | SCHALTRAD             |       |    |      | UNTERLAGSCHEIBE   |       |    |      | DRUCKFEDER         |       |    |      | ALU-DICHTSCHEIBE         |       |    |
|      | PIGNON                |       |    |      | RONDELLE          |       |    |      | RESSORT            |       |    |      | BAGUE EN ALUMINIUM       |       |    |
|      | CONTROL O.CHANGE GEAR |       |    |      | WASHER            |       |    |      | PRESSURE SPRING    |       |    |      | ALUMINIUM SEALING WASHER |       |    |
| 0060 | 15019398-0            | 1,000 | ST | 0150 | 15019648-0        | 1,000 | ST | 0290 | 05600025-0         | 1,000 | ST | 0440 | 92137130-0               | 6,000 | ST |
|      | ZAPFWELLENRAD Z-53    |       |    |      | ZENTRIERING       |       |    |      | STAHLKUGEL         |       |    |      | INNENSECHSKANTSCHRAUBE   |       |    |
|      | ENGRENAGE             |       |    |      | BAGUE DE CENTRAGE |       |    |      | BILLE              |       |    |      | VIS                      |       |    |
|      | GEAR                  |       |    |      | RING              |       |    |      | BALL               |       |    |      | SCREW                    |       |    |
| 0070 | 15017313-0            | 1,000 | ST | 0160 | 15019646-0        | 1,000 | ST | 0300 | 09501034-0         | 1,000 | ST | 0450 | 92152065-0               | 1,000 | ST |
|      | ANTRIEBSKLAUE         |       |    |      | HALTEBLECH        |       |    |      | WELLENDICHTRING    |       |    |      | SENKSCHRAUBE             |       |    |
|      | TETE A GRIFFES        |       |    |      | TOLE DE FIXATION  |       |    |      | JOINT D'ETANCHEITE |       |    |      | BOULON A TETE CONIQUE    |       |    |
|      | SLEEVE                |       |    |      | FIXING SHEET      |       |    |      | SHAFT SEAL         |       |    |      | COUNTERSUNK SCREW        |       |    |
| 0080 | 10120158-0            | 1,000 | ST | 0200 | 01606009-0        | 1,000 | ST | 0310 | 93546071-0         | 1,000 | ST | 0460 | 93056018-0               | 2,000 | ST |
|      | SCHALTSCHUH           |       |    |      | RILLENKUGELLAGER  |       |    |      | SPANNSTIFT         |       |    |      | SECHSKANTMUTTER          |       |    |
|      | FOURCHETTE            |       |    |      | ROULEMENT         |       |    |      | GOUPILLE ELASTIQUE |       |    |      | ECROU                    |       |    |
|      | SELECTOR FORK         |       |    |      | BEARING           |       |    |      | PIN                |       |    |      | NUT                      |       |    |
| 0090 | 15018359-1            | 1,000 | ST | 0210 | 01606303-0        | 1,000 | ST | 0320 | 06130101-0         | 2,000 | ST | 0470 | 09530684-0               | 1,000 | ST |
|      | SCHALTFINGER          |       |    |      | RILLENKUGELLAGER  |       |    |      | INNENRING          |       |    |      | ENTLUEFTUNGSSCHRAUBE     |       |    |
|      | DOIGT DE COMMANDE     |       |    |      | ROULEMENT         |       |    |      | BAGUE INTERIEUR    |       |    |      | VIS DE PURGE             |       |    |
|      | SWITCH FINGER         |       |    |      | BEARING           |       |    |      | RING INNER         |       |    |      | VENT SCREW               |       |    |
| 0100 | 15019394-0            | 1,000 | ST | 0220 | 00006205-0        | 1,000 | ST | 0330 | 09504341-0         | 2,000 | ST |      |                          |       |    |
|      | SCHALTHEBEL           |       |    |      | RILLENKUGELLAGER  |       |    |      | O-RING             |       |    |      |                          |       |    |
|      | LEVIER                |       |    |      | ROULEMENT         |       |    |      | JOINT TORIQUE      |       |    |      |                          |       |    |
|      | LEVER                 |       |    |      | BEARING           |       |    |      | O RING             |       |    |      |                          |       |    |
|      |                       |       |    | 0230 | 00006207-0        | 1,000 | ST | 0340 | 93285508-0         | 1,000 | ST |      |                          |       |    |
|      |                       |       |    |      | RILLENKUGELLAGER  |       |    |      | SCHEIBE            |       |    |      |                          |       |    |
|      |                       |       |    |      | ROULEMENT         |       |    |      | RONDELLE           |       |    |      |                          |       |    |
|      |                       |       |    |      | BEARING           |       |    |      | WASHER             |       |    |      |                          |       |    |





## REFORM M9.1 L

### 27.02.02 LISTE 15019400-0

| PPOS | NR/TEXT               | Q     | QC |      |                   |       |    |      |                    |       |    |      |                          |       |    |
|------|-----------------------|-------|----|------|-------------------|-------|----|------|--------------------|-------|----|------|--------------------------|-------|----|
| 0010 | 15019374-0            | 1,000 | ST | 0110 | 15018158-1        | 1,000 | ST | 0250 | 09504357-0         | 1,000 | ST | 0400 | 92510439-0               | 2,000 | ST |
|      | ZAPFWELLENGEHAUEUSE   |       |    |      | HAKEN             |       |    |      | O-RING             |       |    |      | AUGENSCHRAUBE            |       |    |
|      | BOITIER               |       |    |      | CROCHET           |       |    |      | JOINT TORIQUE      |       |    |      | BOULON A OEILLET         |       |    |
|      | HOUSING               |       |    |      | HOOK              |       |    |      | O RING             |       |    |      | SCREW                    |       |    |
| 0020 | 15019373-0            | 1,000 | ST | 0120 | 15018173-0        | 1,000 | ST | 0260 | 09501328-0         | 1,000 | ST | 0410 | 92137658-0               | 2,000 | ST |
|      | ZAPFWELLENGEHAUEUSE   |       |    |      | STUETZRING        |       |    |      | WELLENDICHTRING    |       |    |      | INNENSECHSKANTSCHRAUBE   |       |    |
|      | BOITIER               |       |    |      | BAGUE             |       |    |      | JOINT D'ETANCHEITE |       |    |      | VIS A SIX PANS CREUX     |       |    |
|      | HOUSING               |       |    |      | RING              |       |    |      | SHAFT SEAL         |       |    |      | SOCKET HEAD CAP SCREW    |       |    |
| 0030 | 15019397-1            | 1,000 | ST | 0130 | 15009923-0        | 2,000 | ST | 0270 | 09502034-0         | 1,000 | ST | 0420 | 92670006-0               | 2,000 | ST |
|      | SCHALTWELLE           |       |    |      | BOLZEN            |       |    |      | DRUCKFEDER         |       |    |      | VERSCHLUSSCHRAUBE        |       |    |
|      | ARBRE                 |       |    |      | AXE               |       |    |      | RESSORT            |       |    |      | BOUCHON                  |       |    |
|      | SHAFT                 |       |    |      | PIN               |       |    |      | SPRING             |       |    |      | PLUG                     |       |    |
| 0050 | 15004176-0            | 1,000 | ST | 0140 | 10320116-0        | 2,000 | ST | 0280 | 10510243-0         | 1,000 | ST | 0430 | 09519018-0               | 2,000 | ST |
|      | SCHALTRAD             |       |    |      | UNTERLAGSCHEIBE   |       |    |      | DRUCKFEDER         |       |    |      | ALU-DICHTSCHEIBE         |       |    |
|      | PIGNON                |       |    |      | RONDELLE          |       |    |      | RESSORT            |       |    |      | BAGUE EN ALUMINIUM       |       |    |
|      | CONTROL O.CHANGE GEAR |       |    |      | WASHER            |       |    |      | PRESSURE SPRING    |       |    |      | ALUMINIUM SEALING WASHER |       |    |
| 0060 | 15019398-0            | 1,000 | ST | 0150 | 15019648-0        | 1,000 | ST | 0290 | 05600025-0         | 1,000 | ST | 0440 | 92137130-0               | 6,000 | ST |
|      | ZAPFWELLENRAD Z-53    |       |    |      | ZENTRIERING       |       |    |      | STAHLKUGEL         |       |    |      | INNENSECHSKANTSCHRAUBE   |       |    |
|      | ENGRENAGE             |       |    |      | BAGUE DE CENTRAGE |       |    |      | BILLE              |       |    |      | VIS                      |       |    |
|      | GEAR                  |       |    |      | RING              |       |    |      | BALL               |       |    |      | SCREW                    |       |    |
| 0070 | 15017313-0            | 1,000 | ST | 0160 | 15019646-0        | 1,000 | ST | 0300 | 09501034-0         | 1,000 | ST | 0450 | 92152065-0               | 1,000 | ST |
|      | ANTRIEBSKLAUE         |       |    |      | HALTEBLECH        |       |    |      | WELLENDICHTRING    |       |    |      | SENKSCHRAUBE             |       |    |
|      | TETE A GRIFFES        |       |    |      | TOLE DE FIXATION  |       |    |      | JOINT D'ETANCHEITE |       |    |      | BOULON A TETE CONIQUE    |       |    |
|      | SLEEVE                |       |    |      | FIXING SHEET      |       |    |      | SHAFT SEAL         |       |    |      | COUNTERSUNK SCREW        |       |    |
| 0080 | 10120158-0            | 1,000 | ST | 0200 | 01606009-0        | 1,000 | ST | 0310 | 93546071-0         | 1,000 | ST | 0460 | 93056018-0               | 2,000 | ST |
|      | SCHALTSCHUH           |       |    |      | RILLENKUGELLAGER  |       |    |      | SPANNSTIFT         |       |    |      | SECHSKANTMUTTER          |       |    |
|      | FOURCHETTE            |       |    |      | ROULEMENT         |       |    |      | GOUPILLE ELASTIQUE |       |    |      | ECROU                    |       |    |
|      | SELECTOR FORK         |       |    |      | BEARING           |       |    |      | PIN                |       |    |      | NUT                      |       |    |
| 0090 | 15018359-1            | 1,000 | ST | 0210 | 01606303-0        | 1,000 | ST | 0320 | 06130101-0         | 2,000 | ST | 0470 | 09530684-0               | 1,000 | ST |
|      | SCHALTFINGER          |       |    |      | RILLENKUGELLAGER  |       |    |      | INNENRING          |       |    |      | ENTLUEFTUNGSSCHRAUBE     |       |    |
|      | DOIGT DE COMMANDE     |       |    |      | ROULEMENT         |       |    |      | BAGUE INTERIEUR    |       |    |      | VIS DE PURGE             |       |    |
|      | SWITCH FINGER         |       |    |      | BEARING           |       |    |      | RING INNER         |       |    |      | VENT SCREW               |       |    |
| 0100 | 15019394-0            | 1,000 | ST | 0220 | 00006205-0        | 1,000 | ST | 0330 | 09504341-0         | 2,000 | ST |      |                          |       |    |
|      | SCHALTHEBEL           |       |    |      | RILLENKUGELLAGER  |       |    |      | O-RING             |       |    |      |                          |       |    |
|      | LEVIER                |       |    |      | ROULEMENT         |       |    |      | JOINT TORIQUE      |       |    |      |                          |       |    |
|      | LEVER                 |       |    |      | BEARING           |       |    |      | O RING             |       |    |      |                          |       |    |
|      |                       |       |    | 0230 | 00006207-0        | 1,000 | ST | 0340 | 93285508-0         | 1,000 | ST |      |                          |       |    |
|      |                       |       |    |      | RILLENKUGELLAGER  |       |    |      | SCHEIBE            |       |    |      |                          |       |    |
|      |                       |       |    |      | ROULEMENT         |       |    |      | RONDELLE           |       |    |      |                          |       |    |
|      |                       |       |    |      | BEARING           |       |    |      | WASHER             |       |    |      |                          |       |    |

# Motorflansch mit Hydropumpe

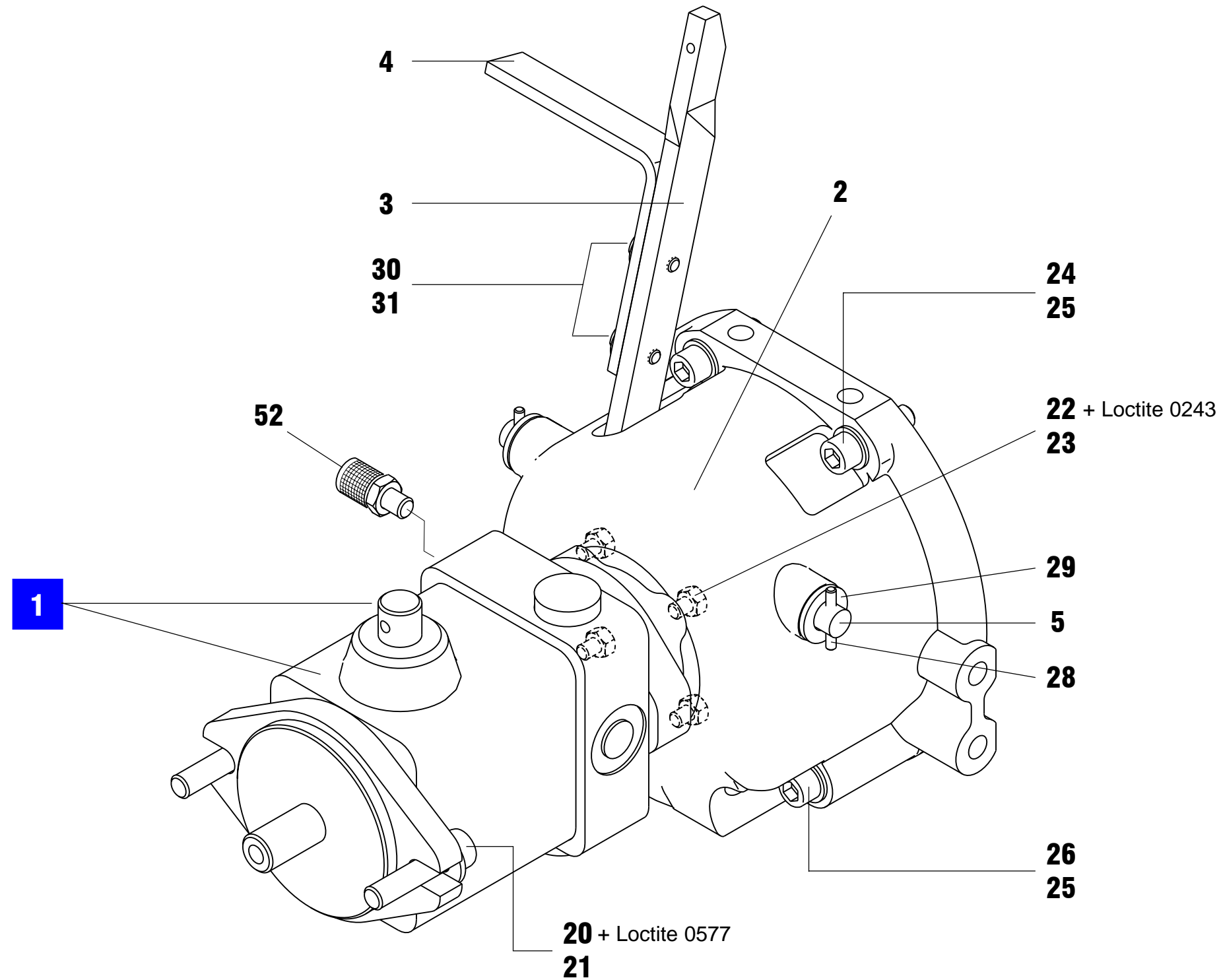
Mechanische Pumpenverstellung



15019421-0

# Engine flange and hydraulic pump

Mechanical pump regulation



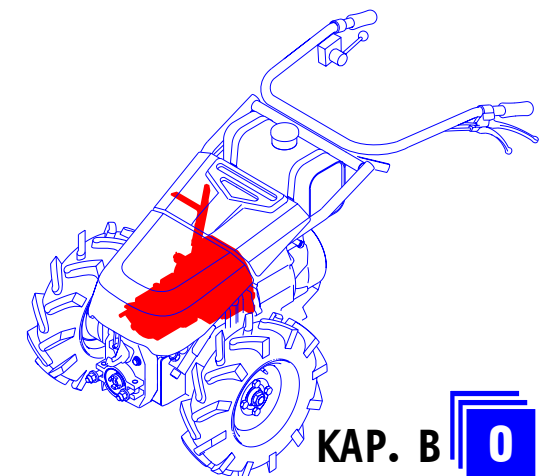
Réglage mécanique de la pompe

# Flasque de moteur avec pompe hydraulique



M9.1 L

22.6.00



KAP. B 0

## REFORM M9.1 L

### 05.12.00 LISTE 15019421-0

| PPOS | NR/TEXT  | Q     | QC |
|------|--|-------|----|
| 0010 | 15019261-0<br>VERSTELLPUMPE<br>POMPE DE CONTROLE<br>CONTROL PUMP   | 1,000 | ST |
| 0020 | 15019372-0<br>MOTORFLANSCH<br>FLASQUE<br>FLANGE                    | 1,000 | ST |
| 0030 | 15019473-0<br>KUPPLUNGSGABEL<br>FOURCHETTE<br>FORK                 | 1,000 | ST |
| 0040 | 15019474-0<br>WINKEL ZU KUPPLUNGSGABEL<br>EQUERRE<br>ANGLE         | 1,000 | ST |
| 0050 | 15019475-0<br>KUPPLUNGSWELLE<br>ARBRE<br>SHAFT                     | 1,000 | ST |
| 0200 | 92137158-0<br>INNENSECHSKANTSCHRAUBE<br>VIS<br>SCREW               | 2,000 | ST |
| 0210 | 93701010-0<br>SPANNSCHEIBE<br>RONDELLE<br>WASHER                   | 2,000 | ST |
| 0220 | 92097301-0<br>SECHSKANTSCHRAUBE<br>VIS<br>SCREW                    | 4,000 | ST |
| 0230 | 93212009-0<br>SCHEIBE<br>RONDELLE<br>WASHER                        | 4,000 | ST |
| 0240 | 92134628-0<br>INNENSECHSKANTSCHRAUBE<br>VIS<br>SCREW               | 2,000 | ST |
| 0250 | 93225414-0<br>SCHEIBE<br>RONDELLE<br>WASHER                        | 4,000 | ST |
| 0260 | 92134635-0<br>INNENSECHSKANTSCHRAUBE<br>VIS<br>SCREW               | 2,000 | ST |
| 0280 | 93547218-0<br>SPANNSTIFT<br>GOUPILLE ELASTIQUE<br>ROLL PIN         | 2,000 | ST |
| 0290 | 93212013-0<br>SCHEIBE<br>RONDELLE<br>WASHER                        | 2,000 | ST |
| 0300 | 92097299-0<br>SECHSKANTSCHRAUBE<br>VIS<br>SCREW                    | 2,000 | ST |
| 0310 | 93300507-0<br>SCHEIBE<br>RONDELLE<br>WASHER                        | 2,000 | ST |
| 0520 | 09518205-0<br>MINIMESS-SCHRAUBKUPPL<br>FICHE MâLE<br>COUPLING PLUG | 1,000 | ST |

15019421-0

KAP. B

# Motorflansch mit Hydropumpe

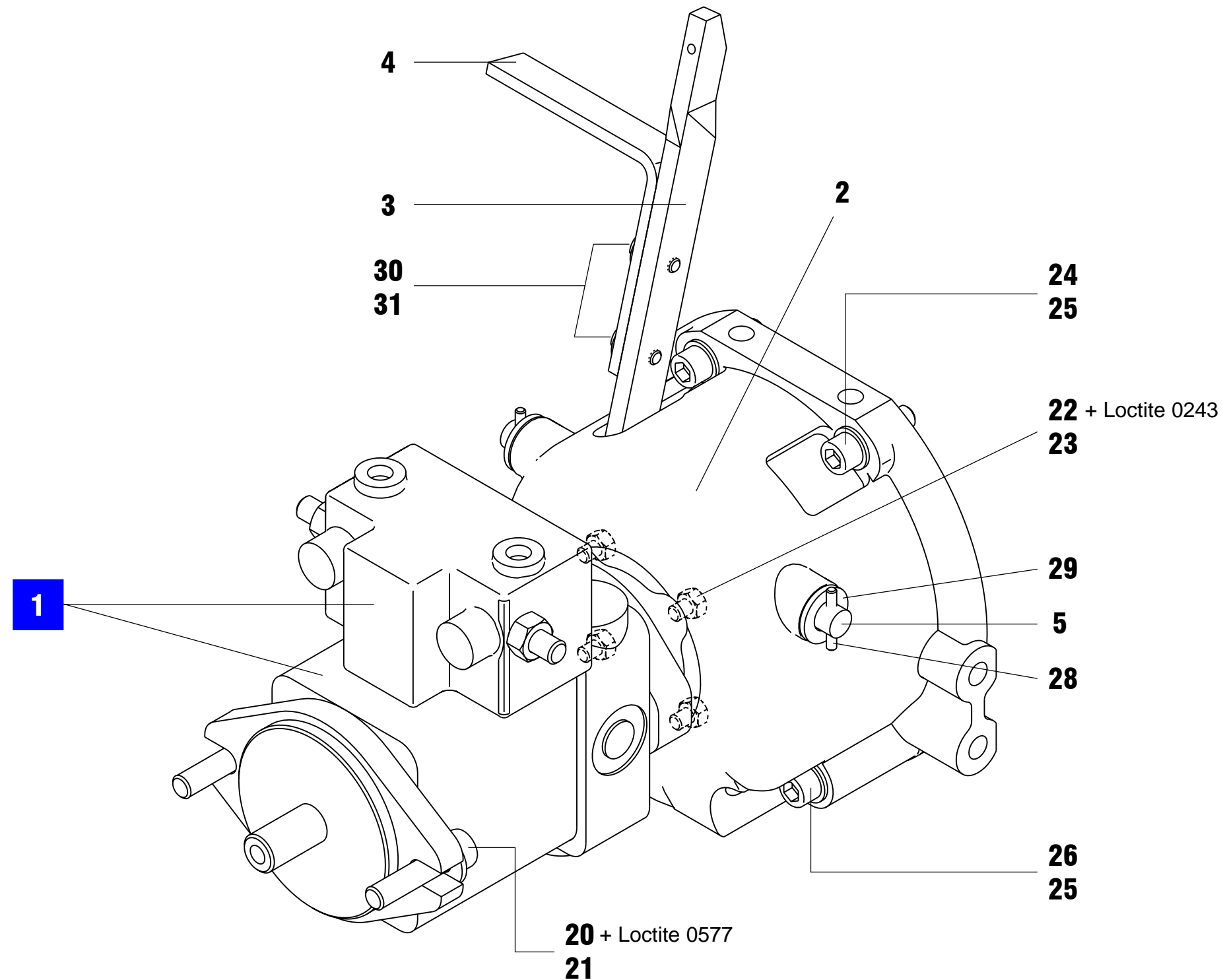
Hydraulische Pumpenverstellung



15019422-0

# Engine flange and hydraulic pump

Hydraulic pump regulation



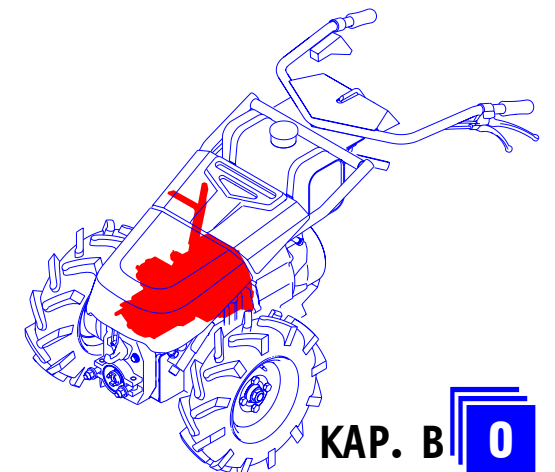
Réglage hydraulique de la pompe

# Flasque de moteur avec pompe hydraulique



M9.1 L

21.6.00



KAP. B 0

## REFORM M9.1 L

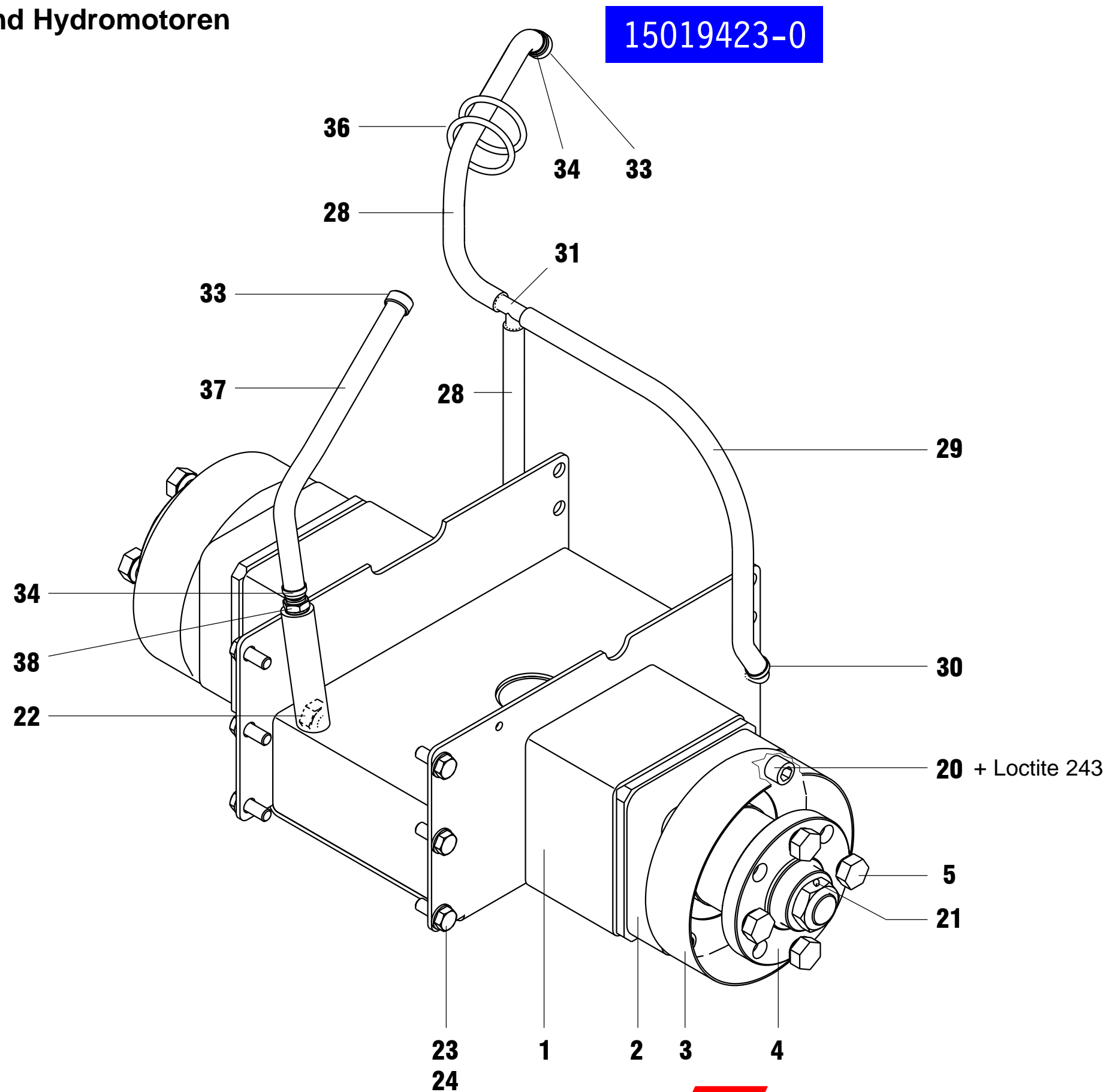
### 05.12.00 LISTE 15019422-0

| PPOS | NR/TEXT  | Q     | QC |
|------|--|-------|----|
| 0010 | 15019262-0<br>VERSTELLPUMPE<br>POMPE A CYILINDREE VARIABLE<br>VARIABLE DISPLACEMENT PUMP | 1,000 | ST |
| 0020 | 15019372-0<br>MOTORFLANSCH<br>FLASQUE<br>FLANGE  | 1,000 | ST |
| 0030 | 15019473-0<br>KUPPLUNGSGABEL<br>FOURCHETTE<br>FORK                                       | 1,000 | ST |
| 0040 | 15019474-0<br>WINKEL ZU KUPPLUNGSGABEL<br>EQUERRE<br>ANGLE                               | 1,000 | ST |
| 0050 | 15019475-0<br>KUPPLUNGSWELLE<br>ARBRE<br>SHAFT   | 1,000 | ST |
| 0200 | 92137158-0<br>INNENSECHSKANTSCHRAUBE<br>VIS<br>SCREW                                     | 2,000 | ST |
| 0210 | 93701010-0<br>SPANNSCHEIBE<br>RONDELLE<br>WASHER   | 2,000 | ST |
| 0220 | 92097301-0<br>SECHSKANTSCHRAUBE<br>VIS<br>SCREW  | 4,000 | ST |
| 0230 | 93212009-0<br>SCHEIBE<br>RONDELLE<br>WASHER  | 4,000 | ST |
| 0240 | 92134628-0<br>INNENSECHSKANTSCHRAUBE<br>VIS<br>SCREW                                     | 2,000 | ST |
| 0250 | 93225414-0<br>SCHEIBE<br>RONDELLE<br>WASHER  | 4,000 | ST |
| 0260 | 92134635-0<br>INNENSECHSKANTSCHRAUBE<br>VIS<br>SCREW                                     | 2,000 | ST |
| 0280 | 93547218-0<br>SPANNSTIFT<br>GOUPILLE ELASTIQUE<br>ROLL PIN                               | 2,000 | ST |
| 0290 | 93212013-0<br>SCHEIBE<br>RONDELLE<br>WASHER  | 2,000 | ST |
| 0300 | 92097299-0<br>SECHSKANTSCHRAUBE<br>VIS<br>SCREW  | 2,000 | ST |
| 0310 | 93300507-0<br>SCHEIBE<br>RONDELLE<br>WASHER  | 2,000 | ST |

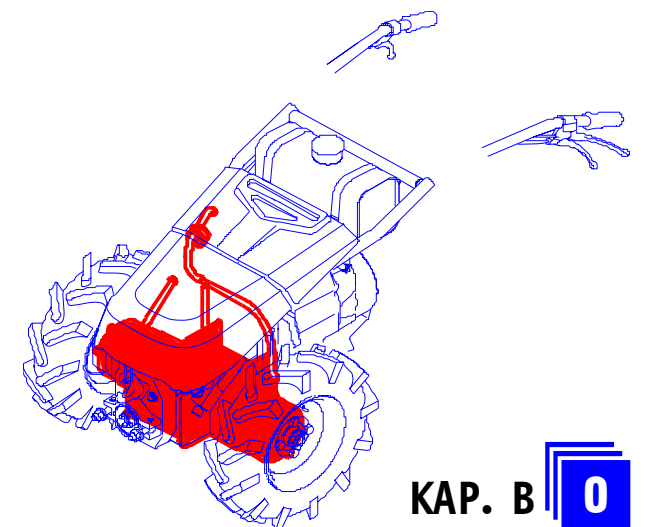
15019422-0

KAP. B

Chassis und Hydromotoren



Chassis and hydromotors



Chassis et hydromoteurs



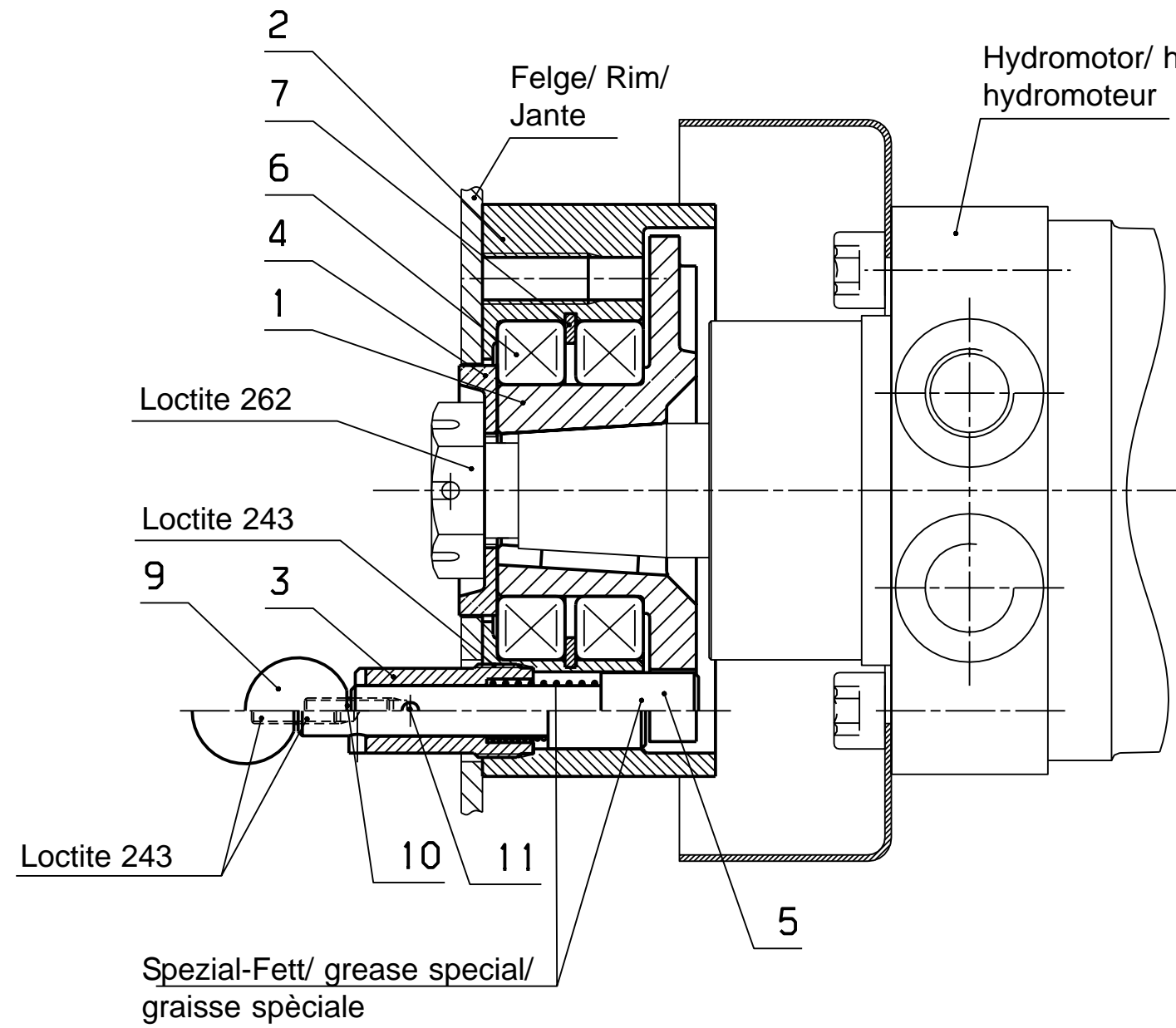
## REFORM M9.1 L

### 05.12.00 LISTE 15019423-0

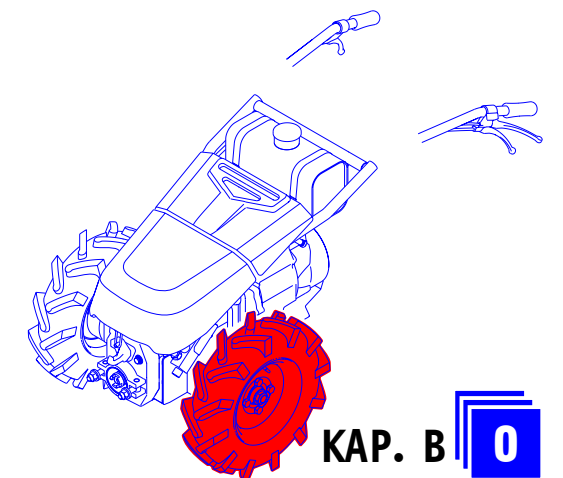
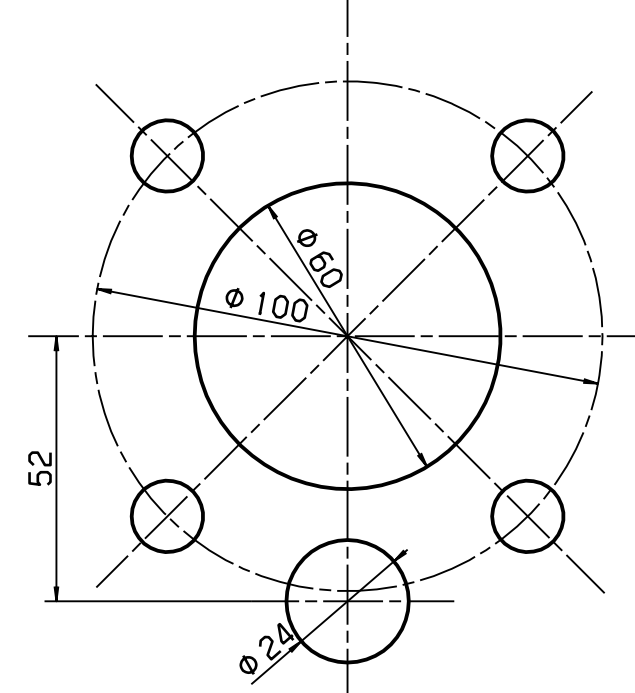
| PPOS | NR/TEXT  | Q     | QC |
|------|--|-------|----|
| 0010 | 15019476-0<br>CHASSIS<br>CHASSIS<br>CHASSIS                  | 1,000 | ST |
| 0020 | 15019270-0<br>HYDROMOTOR<br>MOTEUR HYDRAULIQUE<br>HYDROMOTOR | 2,000 | ST |
| 0030 | 15019272-0<br>WICKELSCHUTZ<br>PROTECTION<br>PROTECTOR        | 2,000 | ST |
| 0040 | 15019271-0<br>RADNABE<br>MOYEU<br>WHEEL                      | 2,000 | ST |
| 0050 | 15004914-0<br>RADSCHRAUBE<br>BOULON<br>TIRE BOLT             | 8,000 | ST |
| 0200 | 92137201-0<br>INNENSECHSKANTSCHRAUBE<br>VIS<br>SCREW         | 8,000 | ST |
| 0210 | 93565205-0<br>SPLINT<br>GOUPILLE FENDUE<br>SPLIT PIN         | 2,000 | ST |
| 0220 | 09506165-0<br>OELSTANDSAUGE<br>VISEUR<br>OIL LEVEL EYE       | 1,000 | ST |
| 0230 | 93701010-0<br>SPANNSCHEIBE<br>RONDELLE<br>WASHER             | 6,000 | ST |

|      |   |       |    |
|------|---|-------|----|
| 0240 | 92097412-0<br>SECHSKANTSCHRAUBE<br>VIS<br>SCREW                       | 6,000 | ST |
| 0250 | 92097415-0<br>SECHSKANTSCHRAUBE<br>VIS<br>SCREW                       | 4,000 | ST |
| 0280 | 09546444-0<br>SCHLAUCH PER METER<br>TUYAU PER METRE<br>HOSE PAR METER | 0,540 | M  |
| 0290 | 09546444-0<br>SCHLAUCH PER METER<br>TUYAU PER METRE<br>HOSE PAR METER | 0,410 | M  |
| 0300 | 09549501-0<br>SCHLAUCHKLEMME<br>COLLIER DE SERRAGE<br>HOSE CLAMP      | 2,000 | ST |
| 0310 | 09518688-0<br>T-SCHLAUCHSTUTZEN<br>RACCORD<br>CONNECTOR               | 1,000 | ST |
| 0330 | 09506211-0<br>BELUEFTUNGSSCHRAUBE<br>VIS D'AIR<br>BREATHER            | 2,000 | ST |
| 0340 | 09531046-0<br>SCHLAUCHBRIDE<br>COLLIER DE SERRAGE<br>HOSE CLAMP       | 2,000 | ST |
| 0350 | 93701010-0<br>SPANNSCHEIBE<br>RONDELLE<br>WASHER                      | 4,000 | ST |
| 0360 | 09549908-0<br>KABELBINDER<br>SERRE-CABLE<br>CABLE CLIP                | 4,000 | ST |

|      |   |       |    |
|------|---|-------|----|
| 0370 | 09546444-0<br>SCHLAUCH PER METER<br>TUYAU PER METRE<br>HOSE PAR METER | 0,300 | M  |
| 0380 | 09518270-0<br>ROHRSTUTZEN<br>RACCORD<br>CONNECTOR                     | 1,000 | ST |



Nacharbeit Felge /  
workover rim/ retouche jante



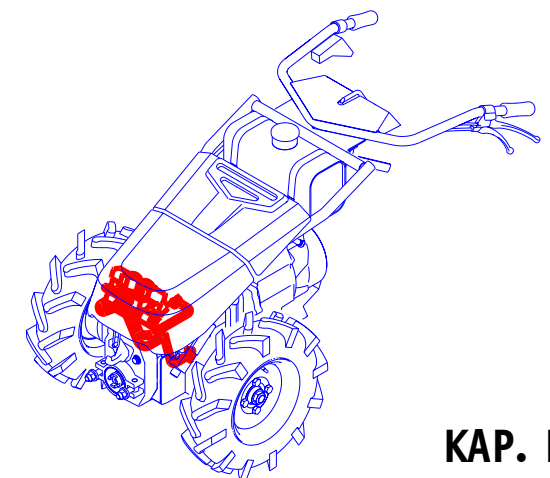
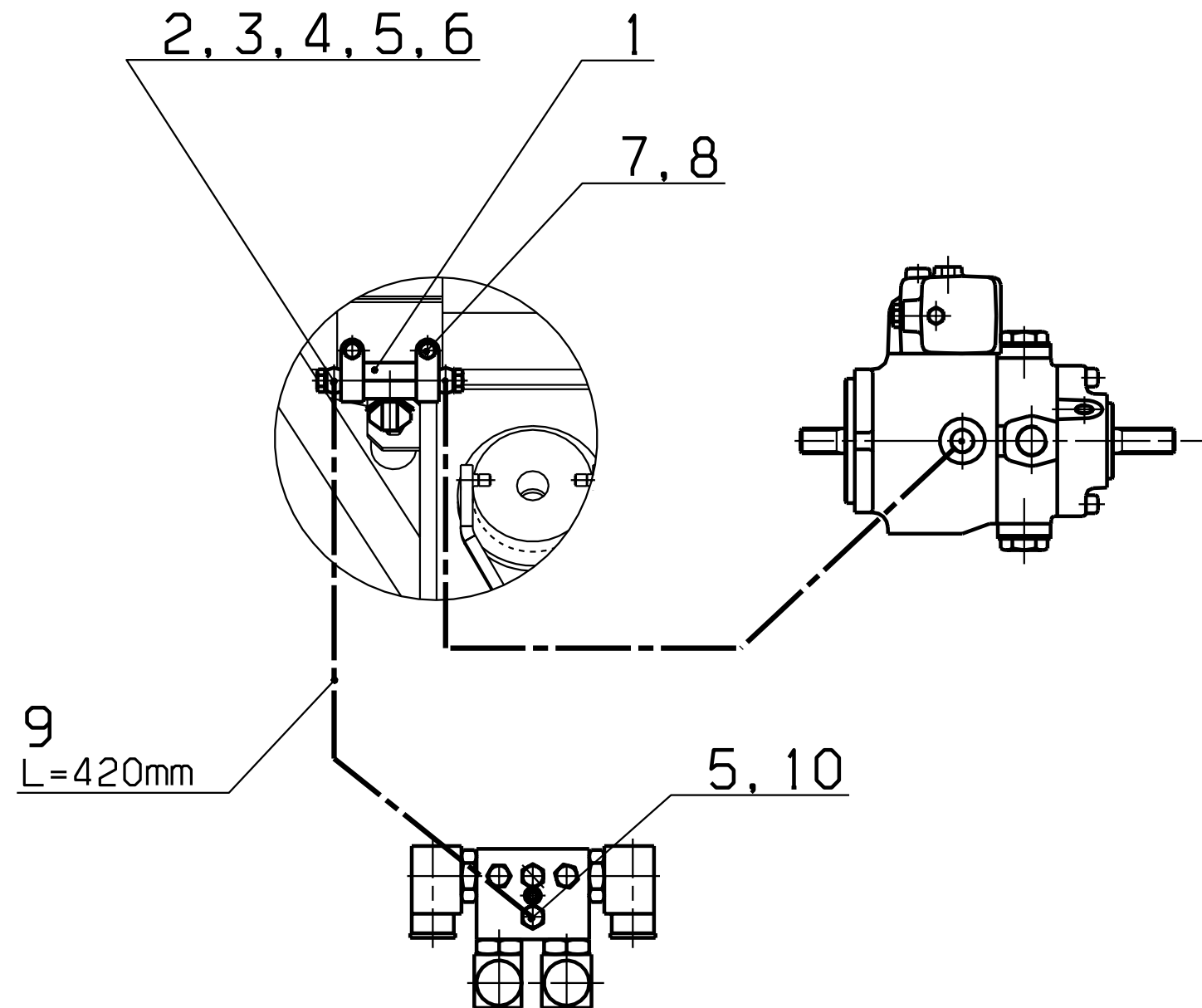


**REFORM M9.1 L / M9.2 L**

**27.02.02 LISTE 15019722-0**

| PPOS | NR/TEXT  | Q     | QC |
|------|--|-------|----|
| 0010 | 15019703-0<br>RADNABE<br>MOYEU<br>FLANGE                     | 2.000 | ST |
| 0020 | 15019704-0<br>BREMSTROMMEL<br>TAMBOUR DE FREIN<br>BRAKE DRUM | 2.000 | ST |
| 0030 | 15019705-0<br>HUELSE<br>DOUILLE<br>BUSH                      | 2.000 | ST |
| 0040 | 15019706-0<br>ZENTRIERING<br>BAGUE<br>RING                   | 2.000 | ST |
| 0050 | 15019707-0<br>BOLZEN<br>AXE<br>PIN                           | 2.000 | ST |
| 0060 | 01606010-0<br>RILLENKUGELLAGER<br>ROULEMENT<br>BEARING       | 4.000 | ST |
| 0070 | 09500380-0<br>SICHERUNGSRING<br>CIRCLIP<br>SNAP RING         | 2.000 | ST |
| 0080 | 09502009-0<br>DRUCKFEDER<br>RESSORT<br>SPRING                | 2.000 | ST |
| 0090 | 09584137-0<br>KUGELGRIFF<br>POIGNEE<br>KNOB                  | 2.000 | ST |
| 0100 | 92782078-0<br>GEWINDESTIFT<br>VIS<br>SCREW                   | 2.000 | ST |

0110 93545214-0 2.000 ST  
 SPANNSTIFT  
 GOUPILLE ELASTIQUE  
 PINE



## REFORM M9.1 L / M9.2 L

### 02.04.02 LISTE 15020204-0

| PPOS | NR/TEXT   | Q     | QC |
|------|---|-------|----|
| 0010 | 09550234-0<br>DROSSELRUCKSCHLAGVENTIL<br>SOUPAPE<br>VALVE             | 1.000 | ST |
| 0020 | 09519097-0<br>KUPFERDICHTSCHEIBE<br>JOINT CUIVRE<br>GASKET            | 2.000 | ST |
| 0030 | 09544301-0<br>GEWINDEADAPTER<br>RACCORD<br>CONNECTION                 | 2.000 | ST |
| 0040 | 09519087-0<br>KUPFERDICHTSCHEIBE<br>JOINT CUIVRE<br>GASKET            | 4.000 | ST |
| 0050 | 09518544-0<br>RINGSCHLAUCHNIPPEL<br>RACCORD<br>NIPPEL                 | 2.000 | ST |
| 0060 | 09518474-0<br>HOHLSCHRAUBE<br>VIS CREUSE<br>UNION                     | 2.000 | ST |
| 0070 | 09549125-0<br>ROHRSCHELLE<br>BRIDE<br>HOSE CLAMP                      | 2.000 | ST |
| 0080 | 92100701-0<br>SECHSKANTSCHRAUBE<br>VIS A TETE HEXAGONAL<br>HEX SCREW  | 2.000 | ST |
| 0090 | 09546003-0<br>SCHLAUCH PER METER<br>TUYAU PER METRE<br>HOSE PAR METER | 0.420 | M  |

|      |   |       |    |
|------|---|-------|----|
| 0100 | 09519010-0<br>ALU-DICHTSCHEIBE<br>JOINT<br>GASKET | 3.000 | ST |
| 0110 | 09293112-0<br>PE-VERSCHLUSSBEUTEL 0,05            | 1.000 | ST |



**REFORM M9.1 L**

**C**

**Hydraulik  
Elektrik**

**Hydrauliques  
Electriques**

**Hydraulics  
Electricals**

15019424-0

Hydraulik

Hydrauliques

Hydraulics

15019425-0

Elektrik 1

Electriques 1

Electricals 1

15019656-0

Elektrik 3

Electriques 3

Electricals 3

15019770-0

Betriebsstundenzähler(HV)

Compteur d'heures (RH)

Hour meter (HA)

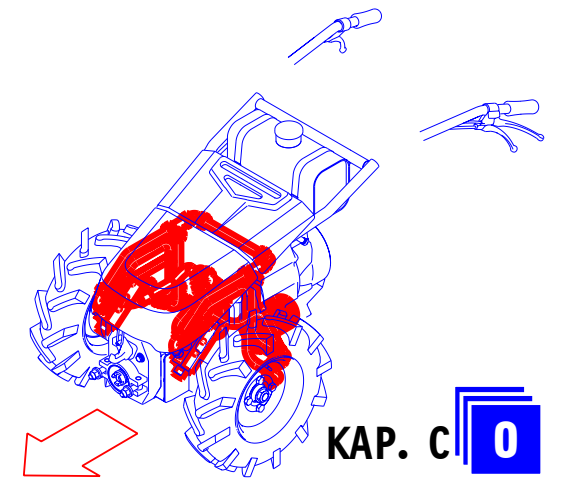
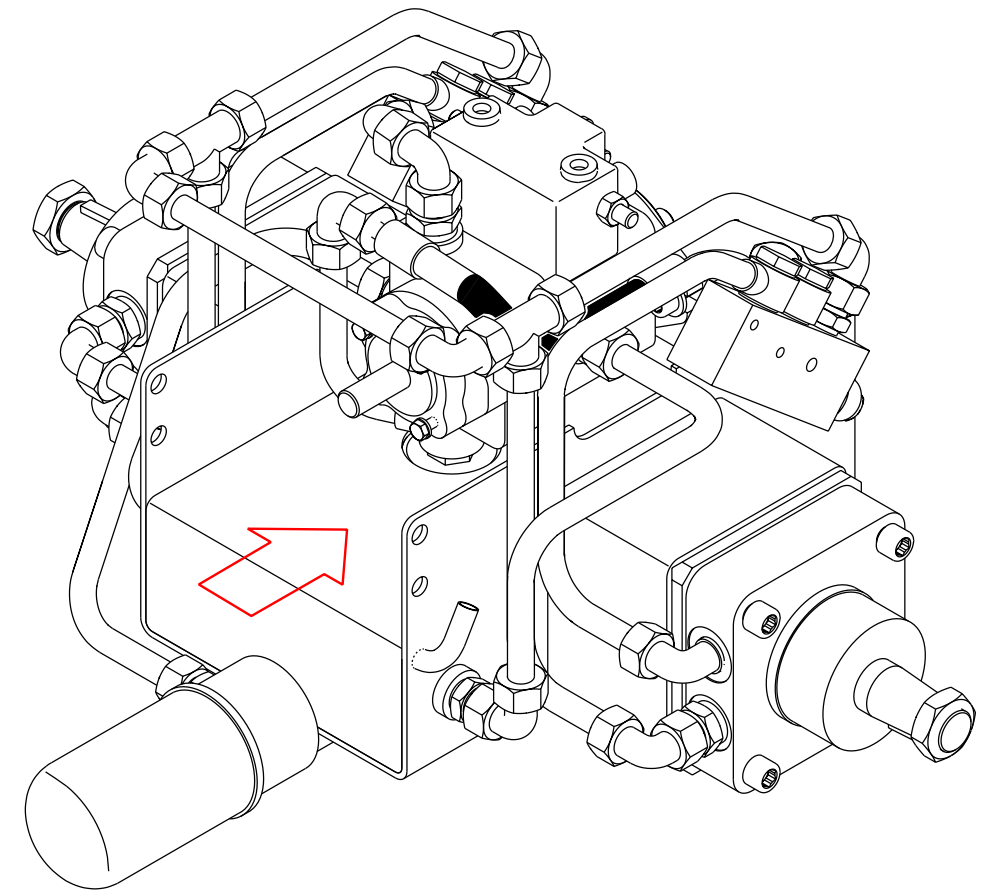
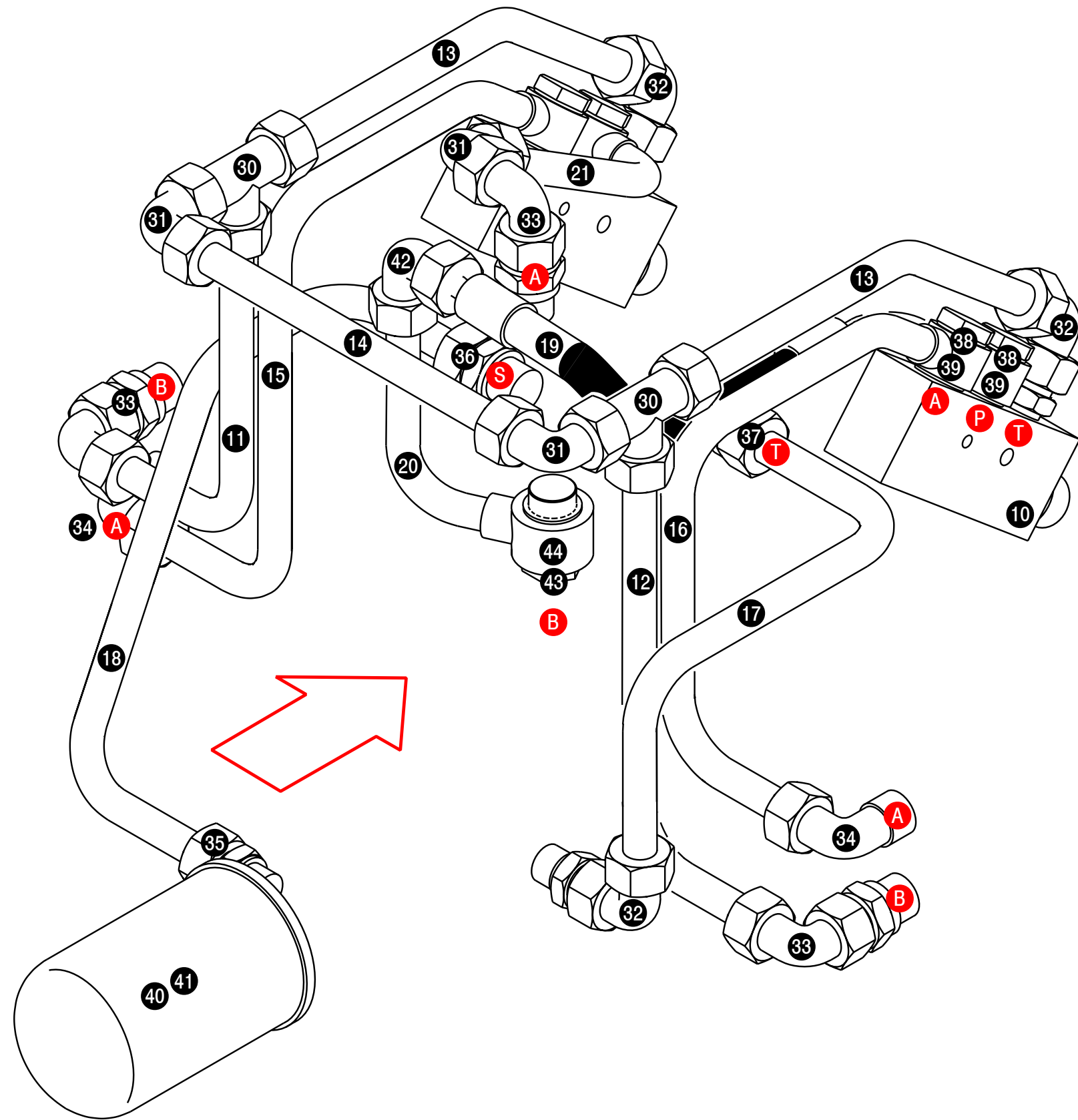
15019771-0

Betriebsstundenzähler(HSV)

Compteur d'heures (RHL)

Hour meter (HSA)

**C**



## REFORM M9.1 L

### 05.12.00 LISTE 15019424-0

| PPOS | NR/TEXT  | Q     | QC |
|------|--|-------|----|
| 0100 | 15018960-0<br>MENGENTEILER<br>DIVISEUR DE DEBIT<br>FLOW CONTROL VALVE                | 2,000 | ST |
| 0110 | 15019483-0<br>HYDROLEITUNG<br>CONDUITE<br>PIPE                                       | 1,000 | ST |
| 0120 | 15019484-0<br>HYDROLEITUNG<br>CONDUITE<br>PIPE                                       | 1,000 | ST |
| 0130 | 15019485-0<br>HYDROLEITUNG<br>CONDUITE<br>PIPE                                       | 2,000 | ST |
| 0140 | 15019486-0<br>HYDROLEITUNG<br>CONDUITE<br>PIPE                                       | 1,000 | ST |
| 0150 | 15019487-0<br>HYDROLEITUNG , MENGENTEILER-MOT<br>CONDUITE<br>PIPE                    | 1,000 | ST |
| 0160 | 15019488-0<br>HYDROLEITUNG MENGENTEILER-MOTOR<br>CONDUITE<br>PIPE                    | 1,000 | ST |
| 0170 | 15019489-0<br>HYDROLEITUNG , RUECKLAUF<br>CONDUITE<br>PIPE                           | 1,000 | ST |
| 0180 | 15019490-0<br>HYDROLEITUNG , SAUGLEITUNG<br>CONDUITE<br>PIPE                         | 1,000 | ST |
| 0190 | 15019491-0<br>HYDROSCHLAUCH PUMPE-MENGENTEILE<br>TUYAU HYDRAULIQUE<br>HOSE HYDRAULIC | 1,000 | ST |
| 0200 | 15019493-0<br>HYDROLEITUNG 2 RECHTS PUMPE-MEN<br>CONDUITE<br>PIPE                    | 1,000 | ST |
| 0210 | 15019492-0<br>HYDROLEITUNG LINKS PUMPE-MENGEN<br>CONDUITE<br>PIPE                    | 1,000 | ST |
| 0300 | 09570434-0<br>T-VERSCHRAUBUNG<br>RACCORD<br>CONNECTION                               | 2,000 | ST |
| 0310 | 09571071-0<br>VERSCHRAUBUNG<br>RACCORD<br>CONNECTION                                 | 3,000 | ST |
| 0320 | 09544275-0<br>WINKELVERSCHRAUBUNG EINSTELLBAR<br>RACCORD<br>CONNECTION               | 3,000 | ST |
| 0330 | 09544276-0<br>WINKELVERSCHRAUBUNG EINSTELLBAR<br>RACCORD<br>CONNECTION               | 3,000 | ST |
| 0340 | 09544276-0<br>WINKELVERSCHRAUBUNG<br>RACCORD COUDE<br>ADAPTER ELBOW                  | 2,000 | ST |
| 0350 | 09570078-0<br>EINSCHRAUBVERSCHRAUBUNG<br>RACCORD<br>CONNECTION                       | 1,000 | ST |
| 0360 | 09570054-0<br>EINSCHRAUBVERSCHRAUBUNG<br>RACCORD<br>CONNECTION                       | 1,000 | ST |
| 0370 | 09570052-0<br>EINSCHRAUBVERSCHRAUBUNG<br>RACCORD<br>CONNECTION                       | 1,000 | ST |
| 0380 | 09518508-0<br>HOHLSCHRAUBE<br>VIS CREUSE<br>HOLLOW SCREW                             | 4,000 | ST |
| 0390 | 09519111-0<br>KUPFERDICHTSCHEIBE<br>BAGUE EN CUIVRE<br>COPPER SEALING WASHER         | 8,000 | ST |
| 0400 | 09552095-0<br>DOPPELNIPPEL<br>NIPPLE<br>NIPPEL                                       | 1,000 | ST |
| 0410 | 09552092-0<br>FILTERPATRONE<br>FILTRE<br>FILTER                                      | 1,000 | ST |
| 0420 | 09570415-0<br>WINKELVERSCHRAUBUNG<br>RACCORD<br>UNION                                | 1,000 | ST |
| 0430 | 09537018-0<br>DICHTRING<br>JOINT<br>GASKET   | 2,000 | ST |
| 0440 | 09518482-0<br>HOHLSCHRAUBE<br>VIS CREUSE<br>HOLLOW SCREW                             | 1,000 | ST |

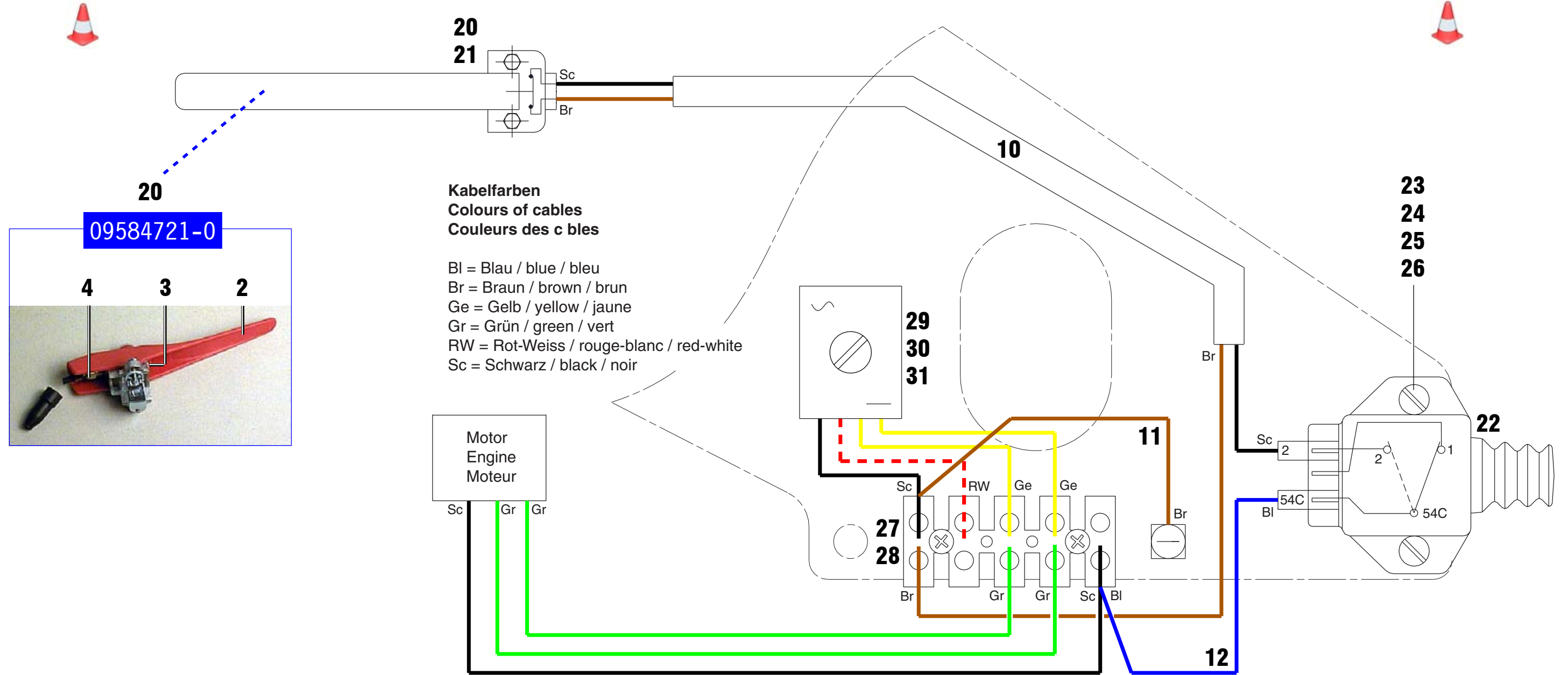
# Elektrik 1

Mechanische Pumpenverstellung  
Holm höhenverstellbar

15019425-0

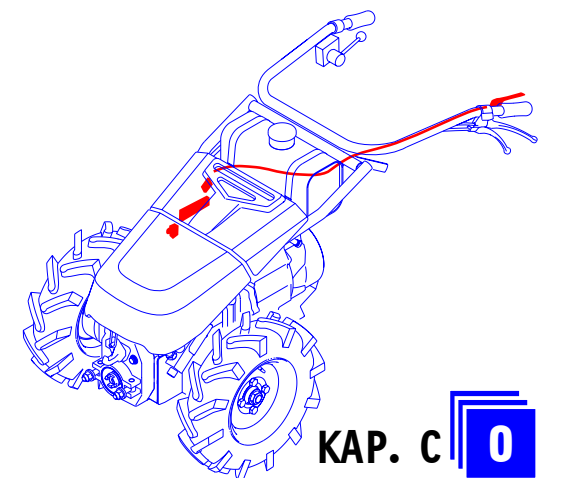
# Electricals 1

Mechanical pump regulation  
Handlebars height adjustable



Réglage mécanique de la pompe  
Mancheron réglable en hauteur

# Electrique 1





## REFORM M9.1 L

### 06.12.00 LISTE 15019425-0

| PPOS | NR/TEXT   | Q     | QC |
|------|---|-------|----|
| 0100 | 15019701-0<br>KABELSTRANG TOTMANNSCHALTER<br>FAISCEAU DE FILS<br>WIRING HARNESS | 1,000 | ST |
| 0110 | 15019691-0<br>MASSEKABEL<br>CABLE<br>CABLE                                      | 1,000 | ST |
| 0120 | 15019693-0<br>KABEL BLAU<br>CABLE<br>CABLE                                      | 1,000 | ST |
| 0200 | 09584721-0<br>TOTMANNGRIFFSCHALTER<br>INTERRUPTEUR<br>SWITCH                    | 1,000 | ST |
| 0210 | 92296210-0<br>FLACHKOPFSCHRAUBE<br>VIS<br>SCREW                                 | 2,000 | ST |
| 0220 | 09304522-0<br>STOPSCHALTER<br>INTERRUTEUR<br>SWITCH                             | 1,000 | ST |
| 0230 | 92296210-0<br>FLACHKOPFSCHRAUBE<br>VIS<br>SCREW                                 | 2,000 | ST |
| 0240 | 93212007-0<br>SCHEIBE<br>RONDELLE<br>WASHER                                     | 2,000 | ST |
| 0250 | 93210516-0<br>SCHEIBE<br>RONDELLE<br>WASHER                                     | 2,000 | ST |

|      |  |       |    |
|------|--|-------|----|
| 0260 | 93086052-0<br>SICHERUNGSMUTTER<br>ECROU<br>NUT                             | 2,000 | ST |
| 0270 | 09301344-0<br>KABELKLEMME<br>CONNECTEUR<br>CONNECTOR                       | 0,500 | ST |
| 0280 | 92890004-0<br>LINSEN-BLECHSCHRAUBE<br>VIS A TOLE A TETE CYL.BOMB.<br>SCREW | 2,000 | ST |
| 0290 | E1246164850<br>REGLER ELEKTR. KPL.<br>UNITE COMPL.<br>REGULATOR EL.        | 1,000 | ST |
| 0300 | 92296253-0<br>FLACHKOPFSCHRAUBE<br>VIS<br>SCREW                            | 1,000 | ST |
| 0310 | 93085004-0<br>SICHERUNGSMUTTER<br>CONTRE-ECROU<br>LOCK NUT                 | 1,000 | ST |

### 6.12.00 Liste 09584721-0

| PPOS | NR/TEXT  | Q     | QC |
|------|--|-------|----|
| 0020 | 17904875-1<br>BETAETIGUNGSHABEL<br>LEVIER<br>LEVER | 1,000 | ST |
| 0030 | 17904879-1<br>DRUCKFEDER<br>RESSORT<br>SPRING      | 1,000 | ST |
| 0040 | 17905156-0<br>SCHALTER<br>INTERRUPTEUR<br>SWITCH   | 1,000 | ST |

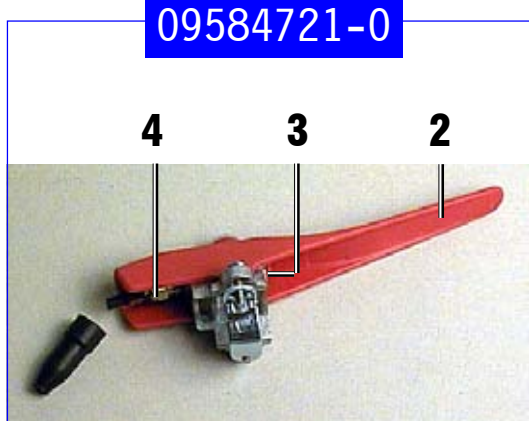
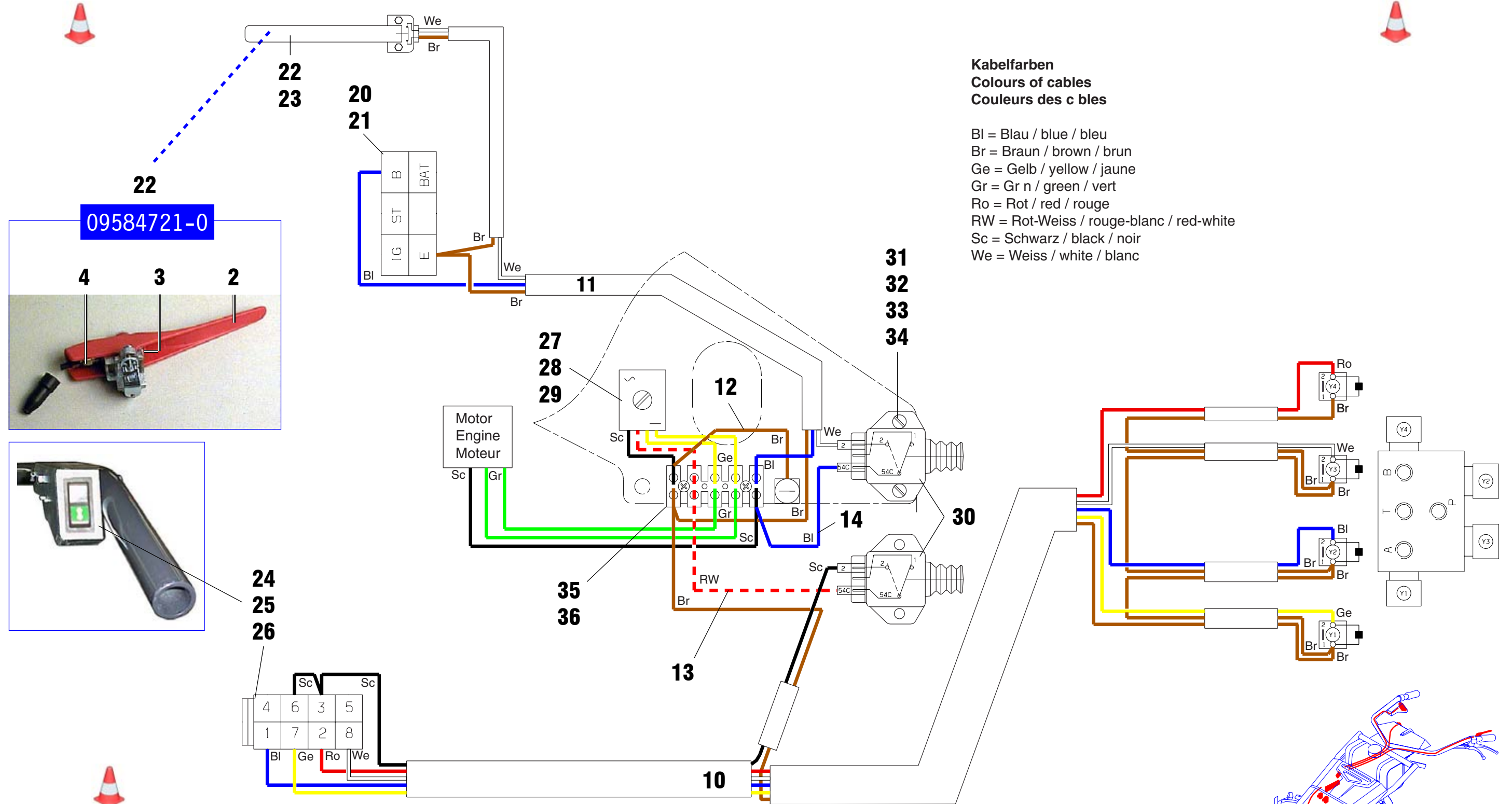
# Elektrik 3

Hydraulische Pumpenverstellung  
Holm höhen- und seitenverstellbar

15019656-0

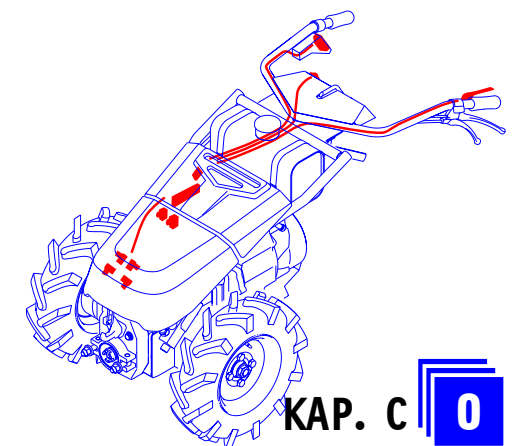
# Electricals 3

Hydraulic pump regulation  
Handlebars height- and side adjustable



Réglage hydraulique de la pompe  
Mancheron réglable en hauteur et latéralement

# Electrique 3



KAP. C 0

## REFORM M9.1 L

### 06.12.00 LISTE 15019656-0

| PPOS | NR/TEXT   | Q     | QC |
|------|---|-------|----|
| 0100 | 15018540-2<br>KABELSTRANG<br>FAISCEAU DE CABLES<br>LOOM OF CABLES               | 1,000 | ST |
| 0110 | 15019690-0<br>KABELSTRANG TOTMANNSCHALTER<br>FAISCEAU DE FILS<br>WIRING HARNESS | 1,000 | ST |
| 0120 | 15019691-0<br>MASSEKABEL<br>CABLE<br>CABLE                                      | 1,000 | ST |
| 0130 | 15019692-0<br>KABEL ROT/WEISS<br>CABLE<br>CABLE                                 | 1,000 | ST |
| 0140 | 15019693-0<br>KABEL BLAU<br>CABLE<br>CABLE                                      | 1,000 | ST |
| 0200 | E1246163610<br>ZUENDSCHLOSS KPL.<br>SERRURE DE CONTACT CPL.<br>IGNITION LOCK    | 1,000 | ST |
| 0210 | E1923765880<br>STECKERGEHAUSE<br>FICHE<br>CONNECTOR                             | 1,000 | ST |
| 0220 | 09584721-0<br>TOTMANNGRIFFSCHALTER<br>INTERRUPTEUR<br>SWITCH                    | 1,000 | ST |
| 0230 | 92097231-0<br>SECHSKANTSCHRAUBE<br>VIS<br>SCREW                                 | 2,000 | ST |

|      |  |       |    |
|------|--|-------|----|
| 0240 | 09301132-3<br>SCHALTER<br>INTERRUPTUR<br>SWITCH                                | 1,000 | ST |
| 0250 | 09301625-0<br>STECKHUELSENGEHAUSE<br>PIECE DE RACCORDEMENT<br>CONNECTING PIECE | 1,000 | ST |
| 0260 | 09301787-0<br>SYMBOLLINSE<br>SYMBOLE<br>INSERT                                 | 1,000 | ST |
| 0270 | E1246164850<br>REGLER ELEKTR. KPL.<br>UNITE COMPL.<br>REGULATOR EL.            | 1,000 | ST |
| 0280 | 92296253-0<br>FLACHKOPFSCHRAUBE<br>VIS<br>SCREW                                | 1,000 | ST |
| 0290 | 93085004-0<br>SICHERUNGSMUTTER<br>CONTRE-ECROU<br>LOCK NUT                     | 1,000 | ST |
| 0300 | 09304522-0<br>STOPSCHALTER<br>INTERRUTEUR<br>SWITCH                            | 2,000 | ST |
| 0310 | 92296212-0<br>FLACHKOPFSCHRAUBE<br>VIS<br>SCREW                                | 2,000 | ST |
| 0320 | 93212007-0<br>SCHEIBE<br>RONDELLE<br>WASHER                                    | 4,000 | ST |
| 0330 | 93210516-0<br>SCHEIBE<br>RONDELLE<br>WASHER                                    | 4,000 | ST |

|      |  |       |    |
|------|--|-------|----|
| 0340 | 93086052-0<br>SICHERUNGSMUTTER<br>ECROU<br>NUT                             | 2,000 | ST |
| 0350 | 09301344-0<br>KABELKLEMME<br>CONNECTEUR<br>CONNECTOR                       | 0,500 | ST |
| 0360 | 92890004-0<br>LINSEN-BLECHSCHRAUBE<br>VIS A TOLE A TETE CYL.BOMB.<br>SCREW | 2,000 | ST |

### 6.12.00 Liste 09584721-0

| PPOS | NR/TEXT  | Q     | QC |
|------|--|-------|----|
| 0020 | 17904875-1<br>BETAETIGUNGSHABEL<br>LEVIER<br>LEVER | 1,000 | ST |
| 0030 | 17904879-1<br>DRUCKFEDER<br>RESSORT<br>SPRING      | 1,000 | ST |
| 0040 | 17905156-0<br>SCHALTER<br>INTERRUPTEUR<br>SWITCH   | 1,000 | ST |

# Betriebsstundenzähler

Nur zu höhenverstellbarem Holm



15019770-0

# Hour meter

for height adjustable handles



Mancheron réglable en hauteur

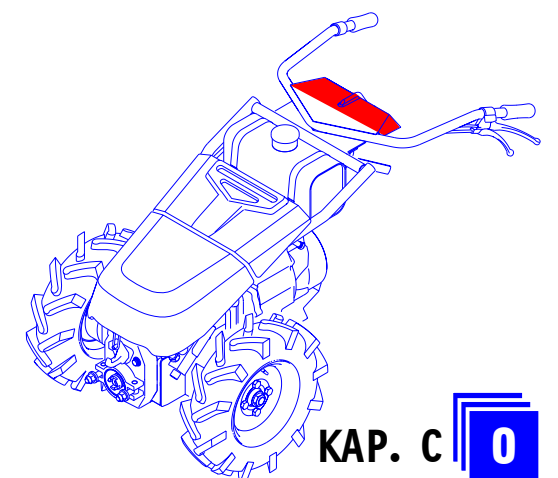
# Compteur d'heures

**Option**



**M9.1 L / M9.2 L**

2.4.02



KAP. C **0**

**REFORM M9.1 L / M9.2 L**

**02.04.02 LISTE 15019770-0**

| PPOS | NR/TEXT  | Q     | QC |
|------|--|-------|----|
| 0010 | 09316020-0<br>BETRIEBSSTUNDENZAehler<br>COMPTEUR HORAIRE<br>HOUR COUNTER | 1.000 | ST |
| 0020 | 15019090-1<br>ARMATURENBLECH<br>TOLE<br>SHEET                            | 1.000 | ST |
| 0030 | 09526461-0<br>DICHTBAND PER METER<br>BANDE PAR METRE<br>BAND PER METER   | 0.250 | M  |
| 0040 | 92236204-0<br>ZYLINDERSCHRAUBE<br>VIS<br>SCREW                           | 2.000 | ST |
| 0050 | 93056010-0<br>SECHSKANTMUTTER<br>ECROU<br>NUT                            | 2.000 | ST |

15019770-0

KAP. C

## Betriebsstundenzähler

Nur höhen- und seitenverstellbarer Holm



15019771-0

## Hour meter

for height- and side adjustable handles



4, 5



Pour machine avec mancheron réglable en hauteur et latéralement

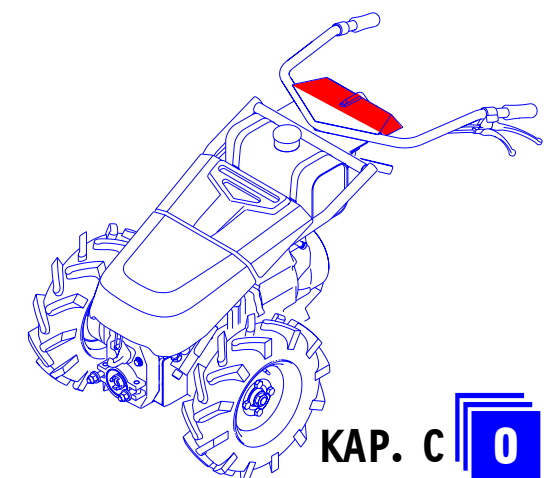
## Compteur d'heures

**Option**



**M9.1 L / M9.2 L**

2.4.02



KAP. C **0**

**REFORM M9.1 L / M9.2 L**

**02.04.02 LISTE 15019771-0**

| PPOS | NR/TEXT  | Q     | QC |
|------|--|-------|----|
| 0010 | 09316020-0<br>BETRIEBSSTUNDENZAehler<br>COMPTEUR HORAIRE<br>HOUR COUNTER | 1.000 | ST |
| 0040 | 92236204-0<br>ZYLINDERSCHRAUBE<br>VIS<br>SCREW                           | 2.000 | ST |
| 0050 | 93056010-0<br>SECHSKANTMUTTER<br>ECROU<br>NUT                            | 2.000 | ST |

15019771-0

KAP. C





**REFORM M9.1 L****D**

09584802-0

09584803-0

15018413-0

15019112-0

15019113-0

15019427-0

15019428-0

15019429-0

15019430-0

15019431-0

15019432-0

15019433-0

15019448-0

15019654-0

15019655-0

15019685-0

**Holmen**

Hebel 1

Hebel 2

Schaltblock

Holmhinterteil HV

Holmhinterteil HSV

Holmträger

Holmvorderteil

Betätigung Lenkung/  
KupplungMech.  
FahrtriebsbetätigungHydr.  
Fahrtriebsbetätigung

Betätigung Zapfwelle

Betätigung Handgas

Schaltkabel

Betätigung Lenkung und  
Kupplung

Betätigung Handgas

Handschutzbügel für Holm

**Guidon**

Levier 1

Levier 2

Valve de contrôle

Mancheron, partie arrière

Mancheron, partie arrière

Support

Mancheron, partie avant

Cde.de direction et  
d'embrayageCde. mech. de la vitesse  
d'avancementCde. hydr. de la vitesse  
d'avancement

Commande de la PDF

Commande d'accélérateur

Câble de commande

Commande de direction et  
d'embrayage

Commande d'accélérateur

Protections pour les mains  
sur mancherons**Handles**

Lever 1

Lever 2

Valve control

Handles rear part

Handles rear part

Support

Handles fron part

Steering and Clutch  
control

Mech. ground speed control

Hydr. ground speed control

PTO shaft control

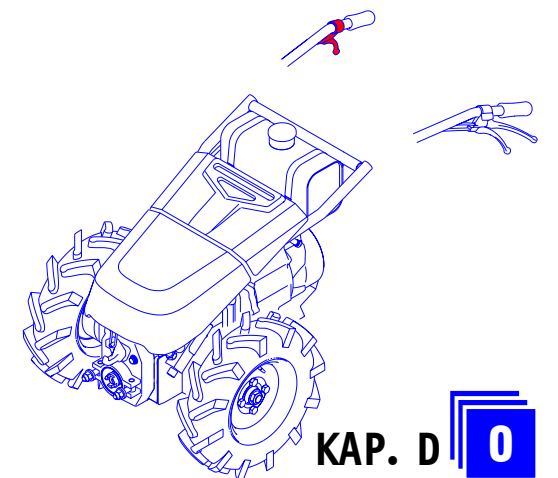
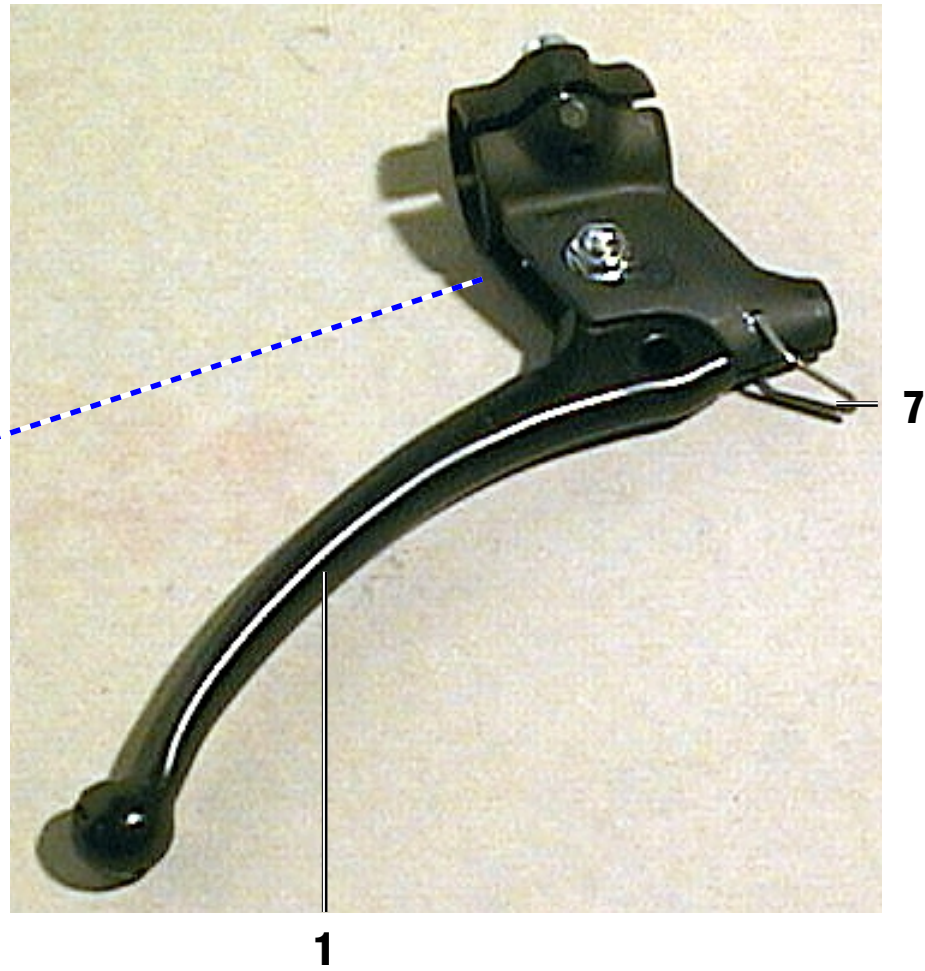
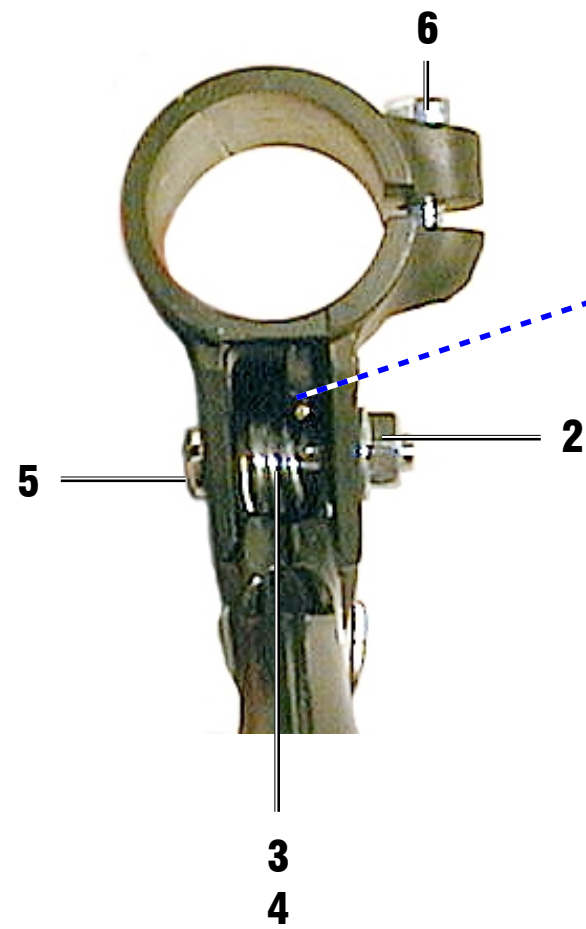
Throttle control

Commander cable

Steering and clutch  
control

Throttle control

Handprotection on the  
handlebar

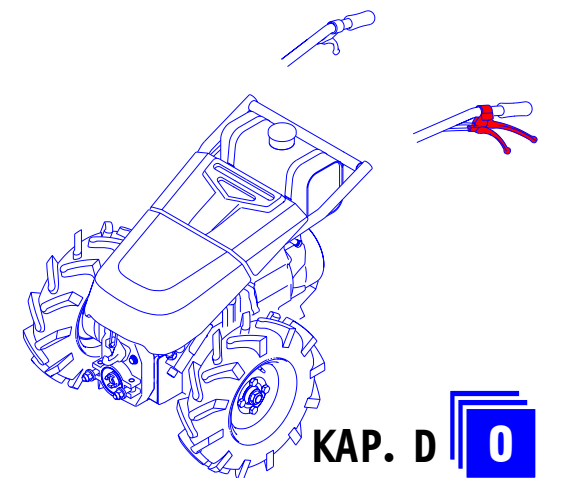
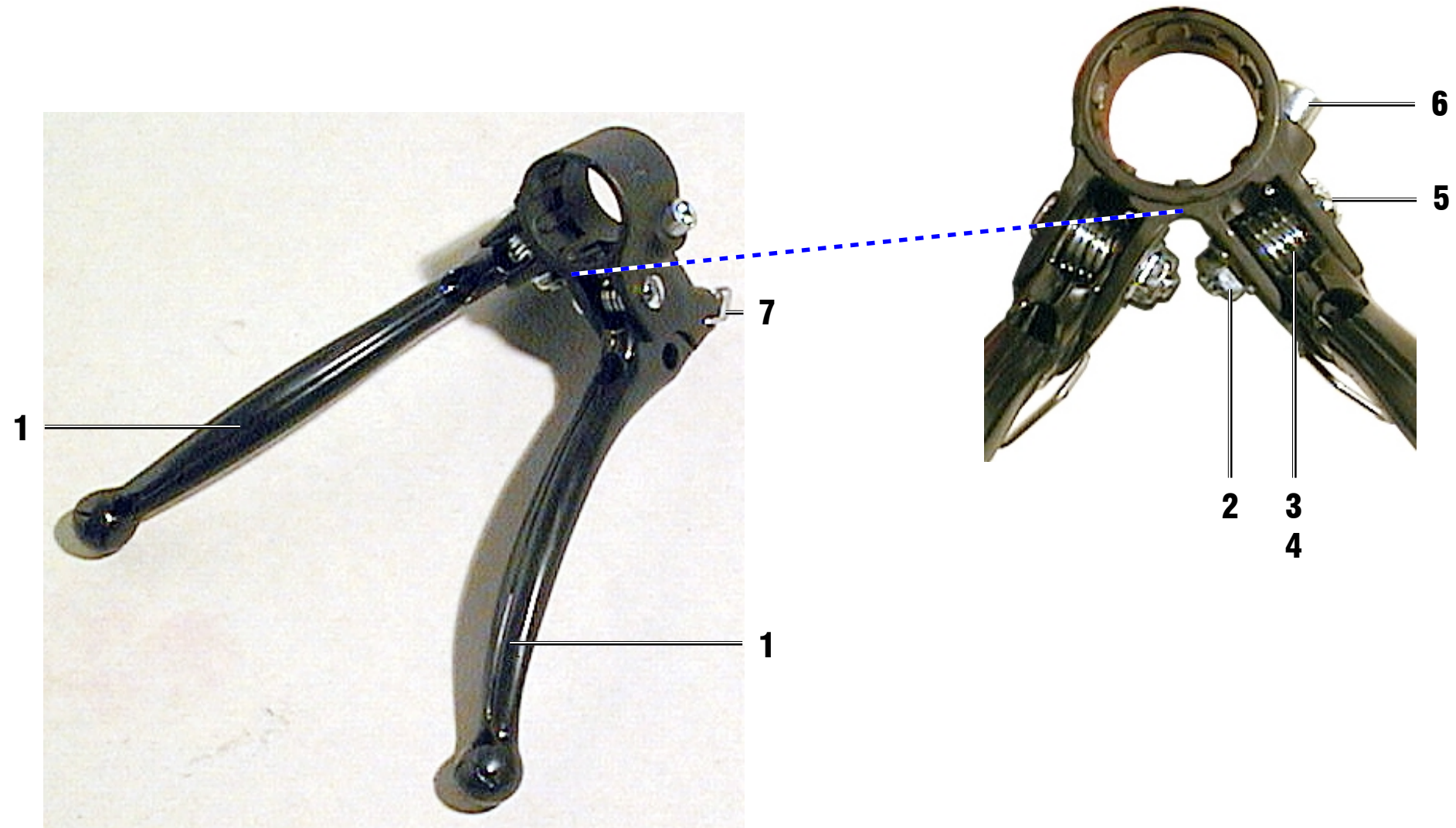


## REFORM M9.1 L / M9.2 L

### 06.12.00 LISTE 09584802-0

| PPOS | NR/TEXT  | Q     | QC |
|------|--|-------|----|
| 0010 | 17904954-0<br>BETATIGUNGSHEBEL<br>LEVIER<br>LEVER                                    | 1,000 | ST |
| 0020 | 93086054-0<br>SICHERUNGSMUTTER<br>ECROU<br>NUT                                       | 1,000 | ST |
| 0030 | 17904956-0<br>BUECHSE<br>DOUILLE<br>BUSH   | 1,000 | ST |
| 0040 | 17904955-0<br>BIEGEFEDER<br>RESSORT<br>SPRING  | 1,000 | ST |
| 0050 | 17904957-0<br>SPEZIALSCHRAUBE<br>VIS<br>SCREW  | 1,000 | ST |
| 0060 | 92137079-0<br>INNENSECHSKANTSCHRAUBE<br>VIS A SIX PANS CREUX<br>HEXAGON SOCKET SCREW | 1,000 | ST |
| 0070 | 17904953-0<br>ARRETIERFEDER<br>RESSORT D'ARRET<br>SPRING                             | 1,000 | ST |

09584802-0



**REFORM M9.1 L / M9.2 L**

**06.12.00 LISTE 09584803-0**

| PPOS | NR/TEXT  | Q     | QC |
|------|--|-------|----|
| 0010 | 17904954-0<br>BETATIGUNGSHEBEL<br>LEVIER<br>LEVER                                    | 2,000 | ST |
| 0020 | 93086054-0<br>SICHERUNGSMUTTER<br>ECROU<br>NUT                                       | 2,000 | ST |
| 0030 | 17904956-0<br>BUECHSE<br>DOUILLE<br>BUSH   | 2,000 | ST |
| 0040 | 17904955-0<br>BIEGEFEDER<br>RESSORT<br>SPRING  | 2,000 | ST |
| 0050 | 17904957-0<br>SPEZIALSCHRAUBE<br>VIS<br>SCREW  | 2,000 | ST |
| 0060 | 92137079-0<br>INNENSECHSKANTSCHRAUBE<br>VIS A SIX PANS CREUX<br>HEXAGON SOCKET SCREW | 1,000 | ST |
| 0070 | 17904953-0<br>ARRETIERFEDER<br>RESSORT D'ARRET<br>SPRING                             | 2,000 | ST |

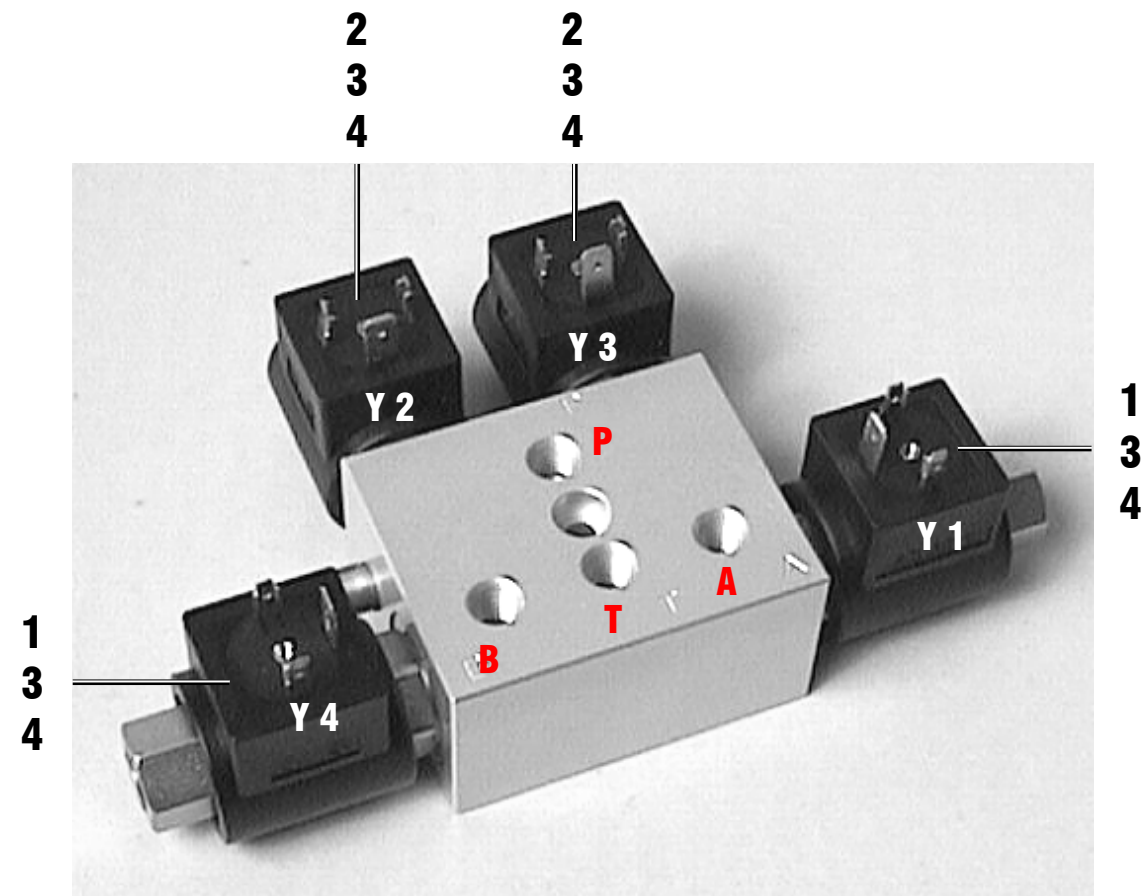
09584803-0

KAP. D

Schaltblock

15018413-0

Valve control

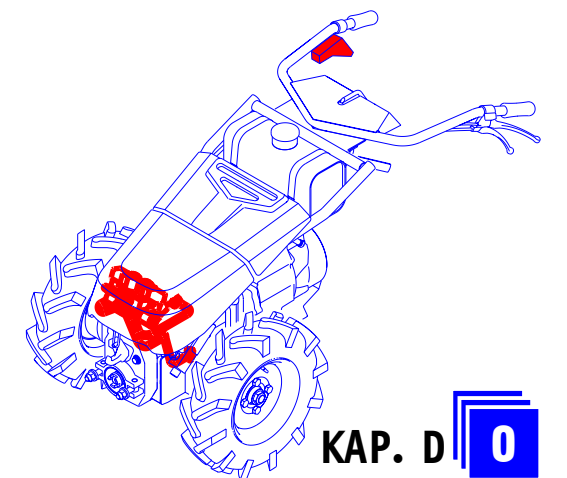


Valve de contrôle



M9.1 L / M9.2 L

18.7.00



KAP. D 0

**REFORM M9.1 L / M9.2 L**

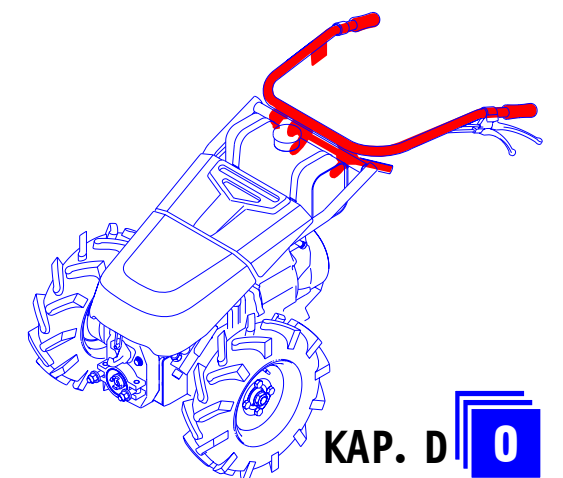
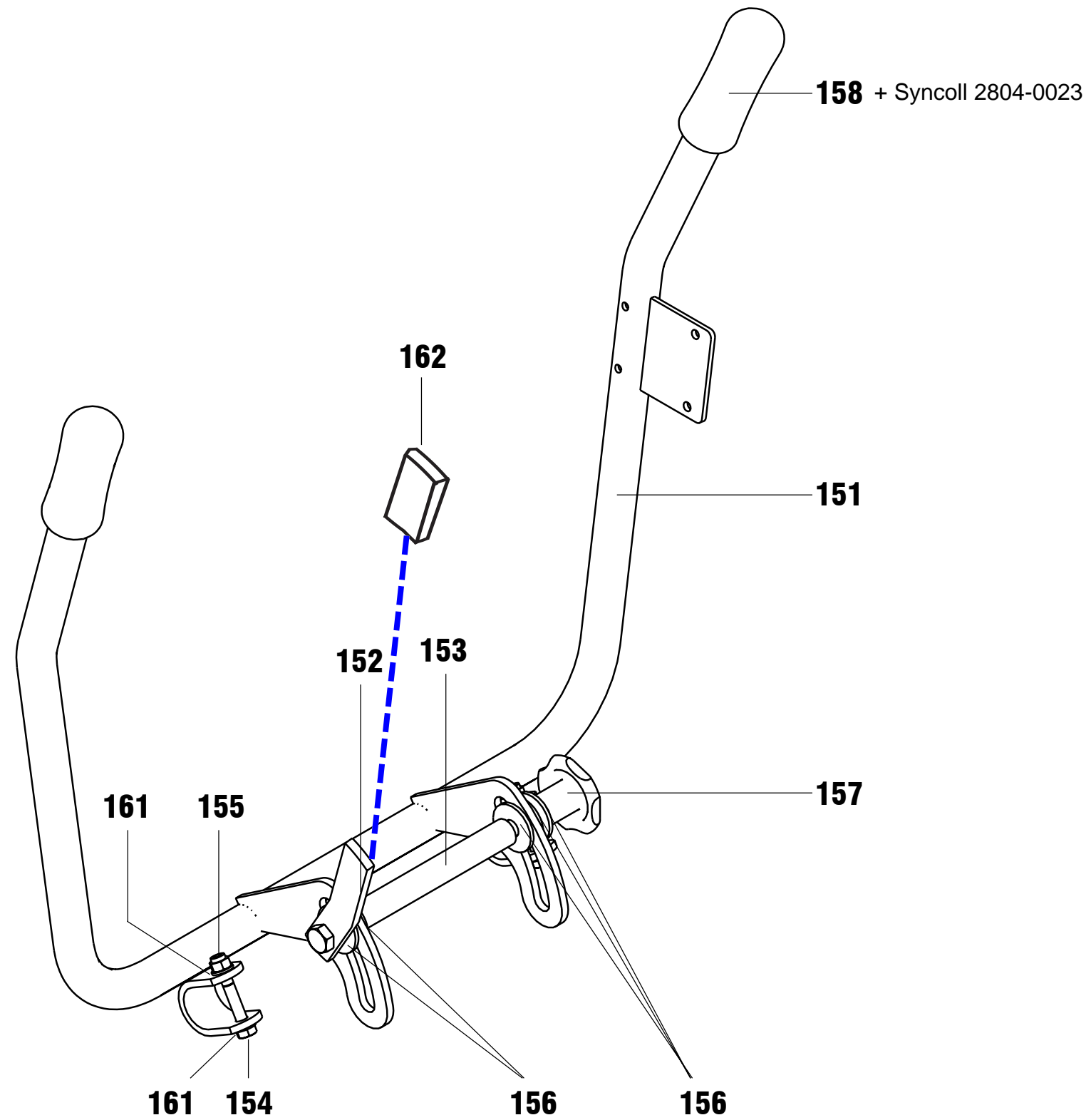
**06.12.00 LISTE 15018413-0**

| PPOS | NR/TEXT  | Q     | QC |
|------|--|-------|----|
| 0010 | 17904938-0<br>WEGEVENTIL<br>SOUPAPE<br>VALVE               | 2,000 | ST |
| 0020 | 17904937-0<br>WEGEVENTIL<br>SOUPAPE<br>VALVE               | 2,000 | ST |
| 0030 | 17904939-0<br>MAGNETSPULE<br>BOBINE<br>COIL                | 4,000 | ST |
| 0040 | 17904940-0<br>DICHTUNGSSATZ<br>JEU DE JOINTS<br>GASKET SET | 4,000 | ST |

Holmhinterteil HV

15019112-0

Handles rear part



Mancheron, partie arrière



M9.1 L / M9.2 L

27.2.02



## REFORM M9.1 L / M9.2 L

### 27.02.02 LISTE 15019112-0

| PPOS | NR/TEXT  | Q     | QC |
|------|--|-------|----|
| 1510 | 15018432-1<br>HOLMHINTERTEIL<br>MANCHERON<br>BEAM              | 1,000 | ST |
| 1520 | 15018465-0<br>SICHERUNGSSCHRAUBE<br>VIS D'ARRET<br>SCREW       | 1,000 | ST |
| 1530 | 15018466-0<br>DISTANZROHR<br>TUBE<br>SPACER                    | 1,000 | ST |
| 1540 | 92072124-0<br>SECHSKANTSCHRAUBE<br>VIS A SIX PANS<br>HEX SCREW | 2,000 | ST |
| 1550 | 93086055-0<br>SICHERUNGSMUTTER<br>ECROU D'ARRET<br>LOCK NUT    | 2,000 | ST |
| 1560 | 93300511-0<br>SCHEIBE<br>RONDELLE<br>WASHER                    | 5,000 | ST |
| 1570 | 09584039-0<br>STERNGRIFF<br>POIGNEE<br>HANDLE                  | 1,000 | ST |
| 1580 | 09584307-0<br>KUNSTSTOFFGRIFF<br>POIGNEE<br>HANDLE             | 2,000 | ST |
| 1610 | 93212011-0<br>SCHEIBE<br>RONDELLE<br>WASHER                    | 4,000 | ST |
| 1620 | 09584130-0<br>HANDGRIFF<br>POIGNEE<br>KNOB                     | 1,000 | ST |

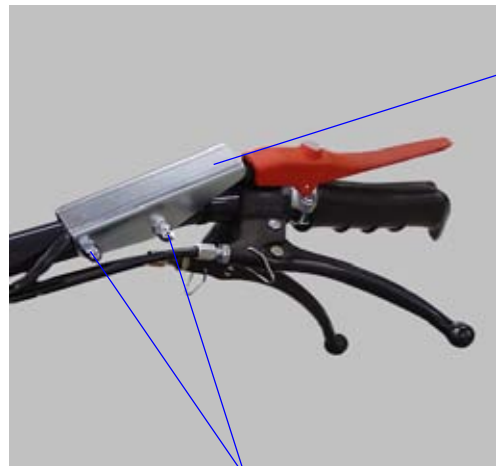
15019112-0

KAP. D

Holmhinterteil HSV

15019113-0

Handles rear part

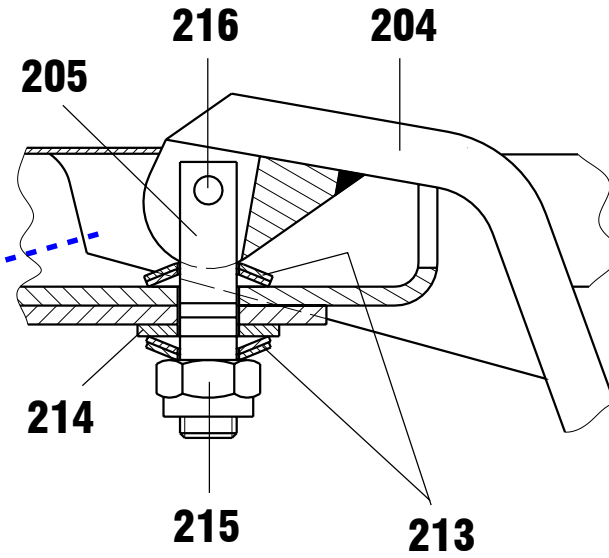
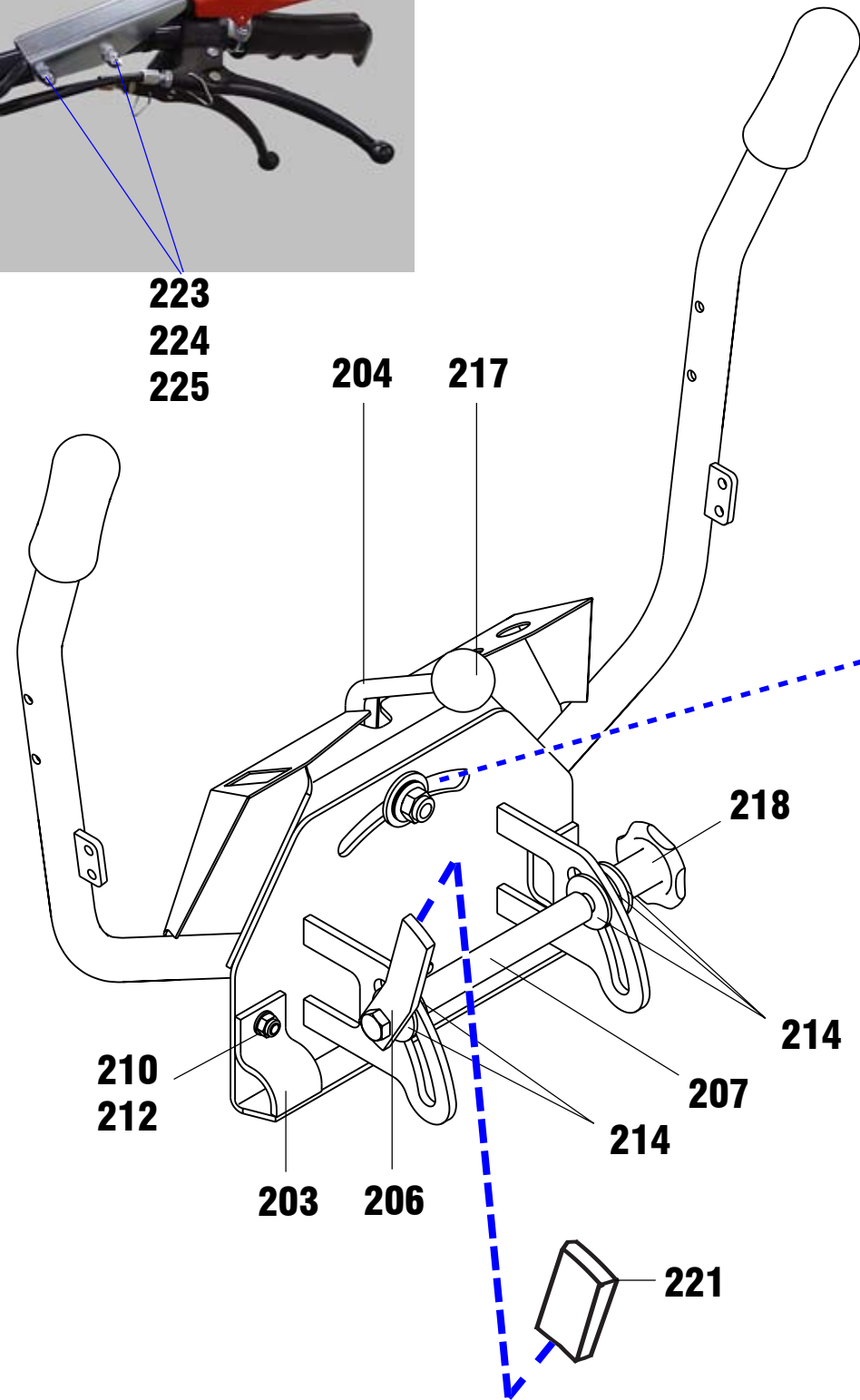


222

223  
224  
225

204

217



219 + Syncoll 2804-0023

202

201

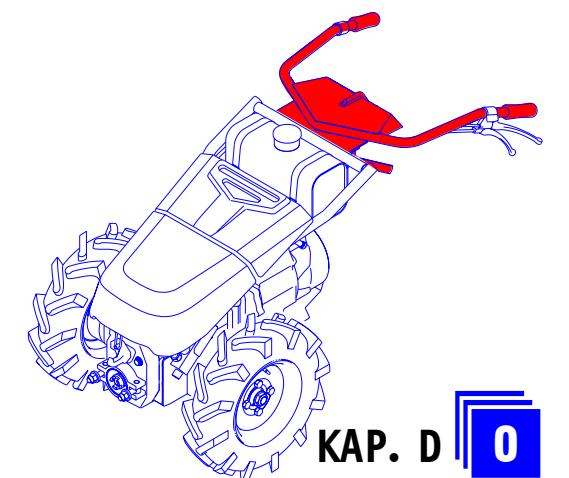
210  
212

Mancheron, partie arrière



M9.1 L / M9.2 L

27.2.02

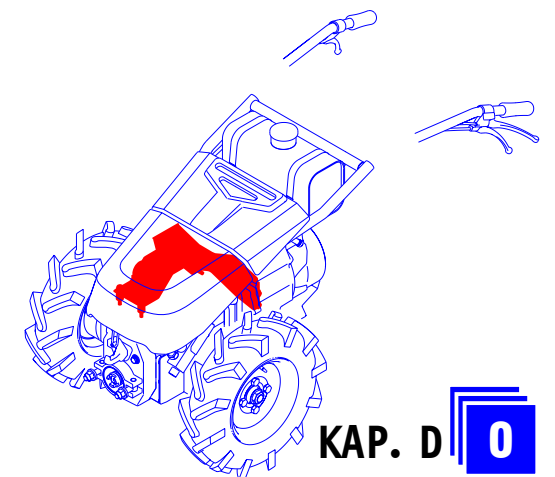
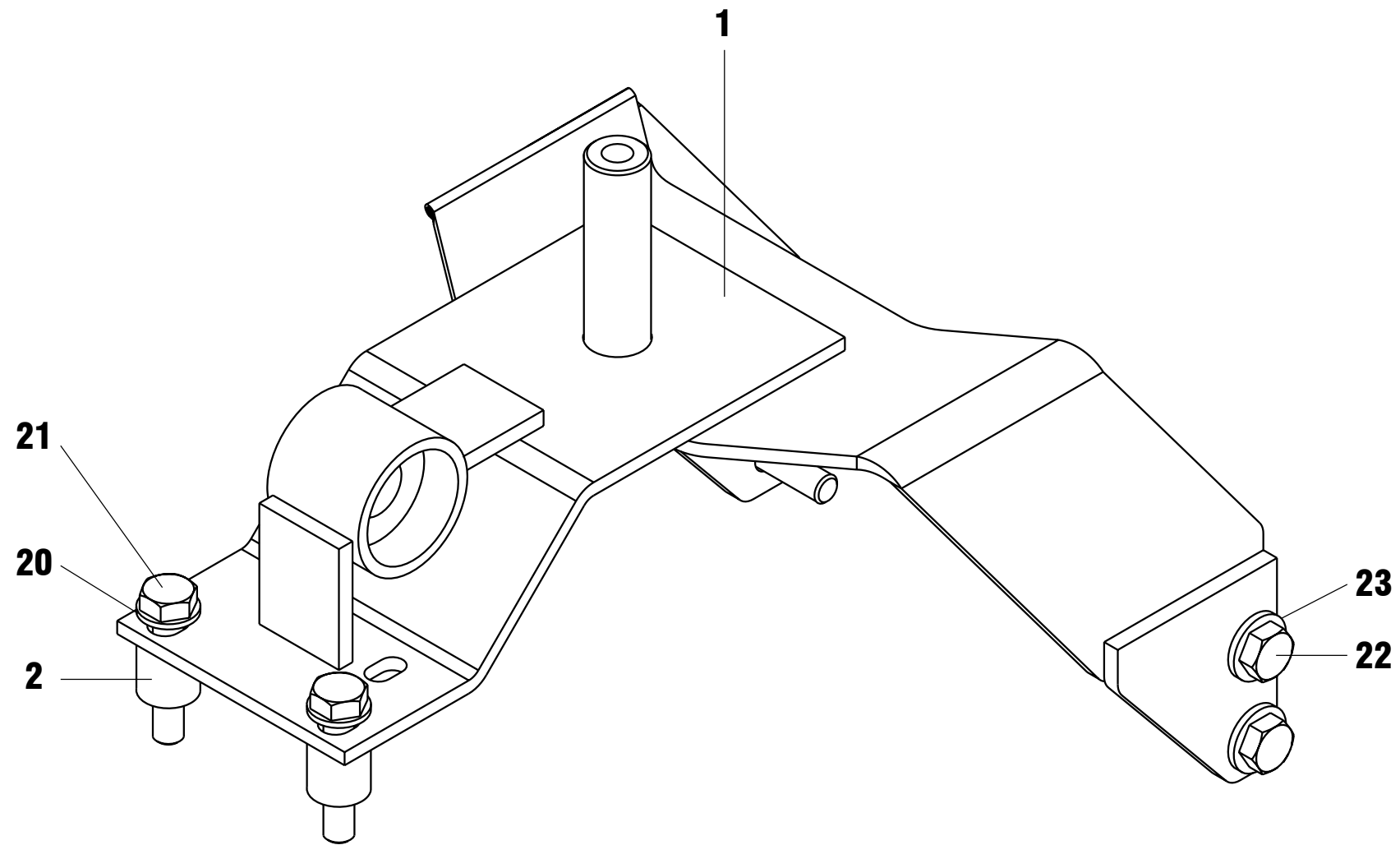


KAP. D 0

**REFORM M9.1 L / M9.2 L**

**27.02.02 LISTE 15019113-0**

| PPOS | NR/TEXT            | Q     | QC |      |                       |       |    |      |                   |       |    |
|------|--------------------|-------|----|------|-----------------------|-------|----|------|-------------------|-------|----|
| 2010 | 15019158-0         | 1.000 | ST | 2130 | 09520216-0            | 4.000 | ST | 2210 | 09584130-0        | 1.000 | ST |
|      | HOLMHINTERTEIL     |       |    |      | 12,2/28X1,25          |       |    |      | AMA 1010          |       |    |
|      | GUIDON             |       |    |      | TELLERFEDER           |       |    |      | HANDGRIFF         |       |    |
|      | HANDLE             |       |    |      | RONDELLE-RESSORT      |       |    |      | POIGNEE           |       |    |
| 2020 | 15019159-0         | 1.000 | ST |      | SPRING WASHER         |       |    |      | KNOB              |       |    |
|      | SCHWENKPLATTE      |       |    | 2140 | 93300511-0            | 6.000 | ST | 2220 | 15019902-0        | 1.000 | ST |
|      | PLAQUE             |       |    |      | 13/37X3               |       |    |      | ABWEISBLECH LINKS |       |    |
|      | PLATE              |       |    |      | SCHEIBE               |       |    |      | DEFLECTEUR GAUCHE |       |    |
| 2030 | 15019161-0         | 2.000 | ST |      | RONDELLE              |       |    | 2230 | 92067309-0        | 2.000 | ST |
|      | KLEMMBUEGEL        |       |    |      | WASHER                |       |    |      | M6X40             |       |    |
|      | ETRIER             |       |    | 2150 | 93084006-0            | 1.000 | ST |      | SECHSKANTSCHRAUBE |       |    |
|      | CLAMP              |       |    |      | M12                   |       |    |      | VIS               |       |    |
| 2040 | 15019160-0         | 1.000 | ST |      | SICHERUNGSMUTTER      |       |    | 2240 | 93212009-0        | 4.000 | ST |
|      | KLEMMHEBEL         |       |    |      | ECROU D'ARRET         |       |    |      | 6,4/12,5X1,6      |       |    |
|      | LEVIER             |       |    | 2160 | 93547316-0            | 1.000 | ST |      | SCHEIBE           |       |    |
|      | LEVER              |       |    |      | 6X20                  |       |    |      | RONDELLE          |       |    |
| 2050 | 15019162-0         | 1.000 | ST |      | SPANNSTIFT            |       |    | 2250 | 93140301-0        | 2.000 | ST |
|      | KLEMMSTANGE        |       |    |      | GOUPILLE ELASTIQUE    |       |    |      | M6                |       |    |
|      | TIGE               |       |    |      | PIN                   |       |    |      | HUTMUTTER         |       |    |
|      | ROD                |       |    | 2170 | 09530240-0            | 1.000 | ST |      | ECROU BORGNE      |       |    |
| 2060 | 15018465-0         | 1.000 | ST |      | M12XD40               |       |    |      | NUT               |       |    |
|      | SICHERUNGSSCHRAUBE |       |    |      | KUGELKNOPF            |       |    |      |                   |       |    |
|      | VIS D'ARRET        |       |    |      | BOUTON                |       |    |      |                   |       |    |
|      | SCREW              |       |    |      | KNOB                  |       |    |      |                   |       |    |
| 2070 | 15018466-0         | 1.000 | ST | 2180 | 09584039-0            | 1.000 | ST |      |                   |       |    |
|      | DISTANZROHR        |       |    |      | LANKER1560-34-M12     |       |    |      |                   |       |    |
|      | TUBE               |       |    |      | STERNGRIFF            |       |    |      |                   |       |    |
|      | SPACER             |       |    |      | POIGNEE               |       |    |      |                   |       |    |
| 2100 | 93212011-0         | 3.000 | ST |      | HANDLE                |       |    |      |                   |       |    |
|      | 8,4/17X1,6         |       |    | 2190 | 09584307-0            | 2.000 | ST |      |                   |       |    |
|      | SCHEIBE            |       |    |      | ID-28MM               |       |    |      |                   |       |    |
|      | RONDELLE           |       |    |      | KUNSTSTOFFGRIFF       |       |    |      |                   |       |    |
|      | WASHER             |       |    |      | POIGNEE               |       |    |      |                   |       |    |
| 2120 | 93085005-0         | 3.000 | ST |      | HANDLE                |       |    |      |                   |       |    |
|      | BO DIN985 M8 A2B   |       |    | 2200 | 09294174-0            | 0.001 | ST |      |                   |       |    |
|      | SICHERUNGSMUTTER   |       |    |      | SIEG 2804-0023        |       |    |      |                   |       |    |
|      | CONTRE-ECROU       |       |    |      | KLEBSTOFF SYNCOLL 444 |       |    |      |                   |       |    |
|      | LOCK NUT           |       |    |      | COLLE SYNCOLL 444     |       |    |      |                   |       |    |
|      |                    |       |    |      | ADHESIVE SYNCOLL 444  |       |    |      |                   |       |    |



# REFORM M9.1 L

## 06.12.00 LISTE 15019427-0

| PPOS | NR/TEXT   | Q     | QC |
|------|---|-------|----|
| 0010 | 15019477-0<br>HOLMTRAEGER<br>SUPPORT<br>SUPPORT                       | 1,000 | ST |
| 0020 | 15019478-0<br>DISTANZROHR<br>TUBE DE DISTANCE<br>SPACER               | 2,000 | ST |
| 0200 | 93212012-0<br>SCHEIBE<br>RONDELLE<br>WASHER                           | 2,000 | ST |
| 0210 | 92067422-0<br>SECHSKANTSCHRAUBE<br>VIS A TETE HEXAGONALE<br>HEX SCREW | 2,000 | ST |
| 0220 | 92097415-0<br>SECHSKANTSCHRAUBE<br>VIS<br>SCREW                       | 4,000 | ST |
| 0230 | 93701010-0<br>SPANNSCHEIBE<br>RONDELLE<br>WASHER                      | 4,000 | ST |

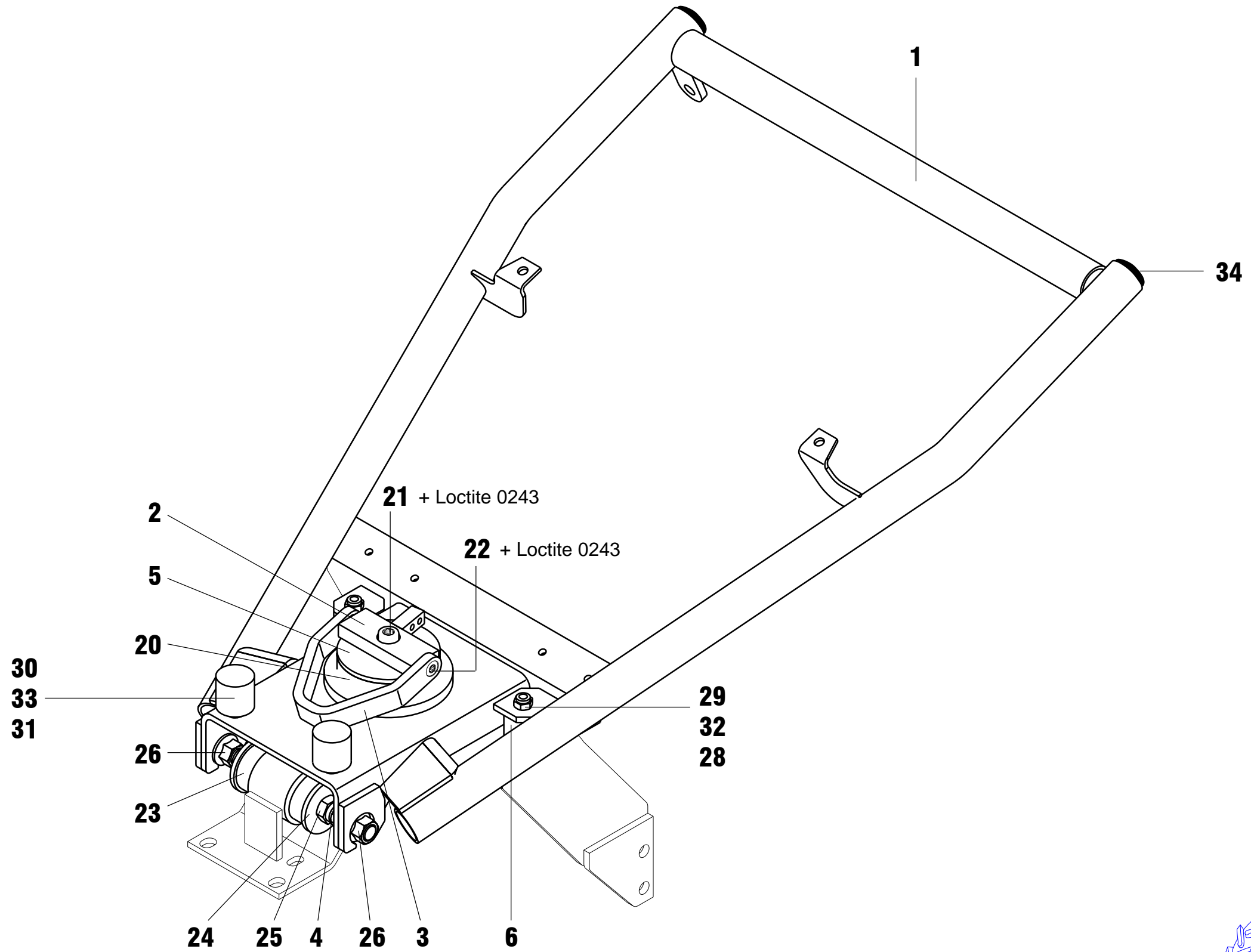
15019427-0

KAP. D

Holmvorderteil

15019428-0

Handles front part

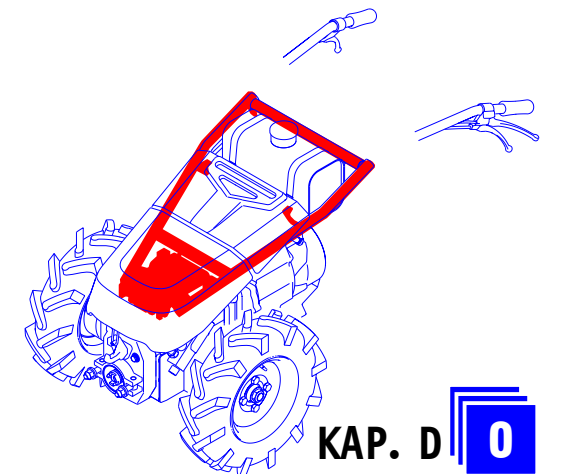


Mancheron, partie avant



M9.1 L

20.6.00



KAP. D 0

## REFORM M9.1 L

### 06.12.00 LISTE 15019428-0

| PPOS | NR/TEXT   | Q     | QC |
|------|---|-------|----|
| 0010 | 15019480-0<br>HOLMVORDERTEIL<br>SUPPORT<br>SUPPORT                                    | 1,000 | ST |
| 0020 | 15019479-0<br>HALTER<br>SUPPORT<br>BRACKET  | 1,000 | ST |
| 0030 | 15019481-0<br>BUEGEL<br>ETRIER<br>CLAMP   | 1,000 | ST |
| 0040 | 15019482-0<br>GEWINDESTANGE<br>TIGE FILETE<br>SCREW                                   | 1,000 | ST |
| 0050 | 15019645-0<br>SCHEIBE<br>RONDELLE<br>WASHER   | 1,000 | ST |
| 0060 | 15019661-0<br>ANSCHLAG<br>SUPPORT<br>SUPPORT  | 2,000 | ST |
| 0200 | 09579212-0<br>GUMMIFEDER<br>AMORTISSEUR<br>BUFFER                                     | 2,000 | ST |
| 0210 | 92137658-0<br>INNENSECHSKANTSCHRAUBE<br>VIS A SIX PANS CREUX<br>SOCKET HEAD CAP SCREW | 1,000 | ST |
| 0220 | 92135116-0<br>INNENSECHSKANTSCHRAUBE<br>VIS<br>SCREW                                  | 2,000 | ST |

|      |  |       |    |
|------|--|-------|----|
| 0230 | 09579210-0<br>GUMMIFEDER<br>RESSORT EN CAOUTCHOUC<br>RUBBER SPRING | 2,000 | ST |
| 0240 | 09523185-0<br>SCHEIBE<br>RONDELLE<br>WASHER                        | 2,000 | ST |
| 0250 | 93085007-0<br>SICHERUNGSMUTTER<br>ECROU<br>NUT                     | 2,000 | ST |
| 0260 | 09530321-0<br>FLANSCHMUTTER<br>ECROU AVEC FLASQUE<br>NUT           | 4,000 | ST |
| 0280 | 92137122-0<br>INNENSECHSKANTSCHRAUBE<br>VIS<br>SCREW               | 2,000 | ST |
| 0290 | 93086055-0<br>SICHERUNGSMUTTER<br>ECROU D'ARRET<br>LOCK NUT        | 2,000 | ST |
| 0300 | 09579008-0<br>SCHWINGMETALLPUFFER<br>AMORTISSEUR<br>ABSORBER       | 2,000 | ST |
| 0310 | 93085005-0<br>SICHERUNGSMUTTER<br>CONTRE-ECROU<br>LOCK NUT         | 2,000 | ST |
| 0320 | 93210569-0<br>SCHEIBE<br>RONDELLE<br>WASHER                        | 2,000 | ST |

|      |  |       |    |
|------|--|-------|----|
| 0330 | 93056014-0<br>SECHSKANTMUTTER<br>ECROU<br>NUT              | 2,000 | ST |
| 0340 | 09526254-0<br>SCHUTZSTOPFEN 27/30X19 PE<br>BOUCHON<br>PLUG | 2,000 | ST |

# Betätigung Lenkung und Kupplung

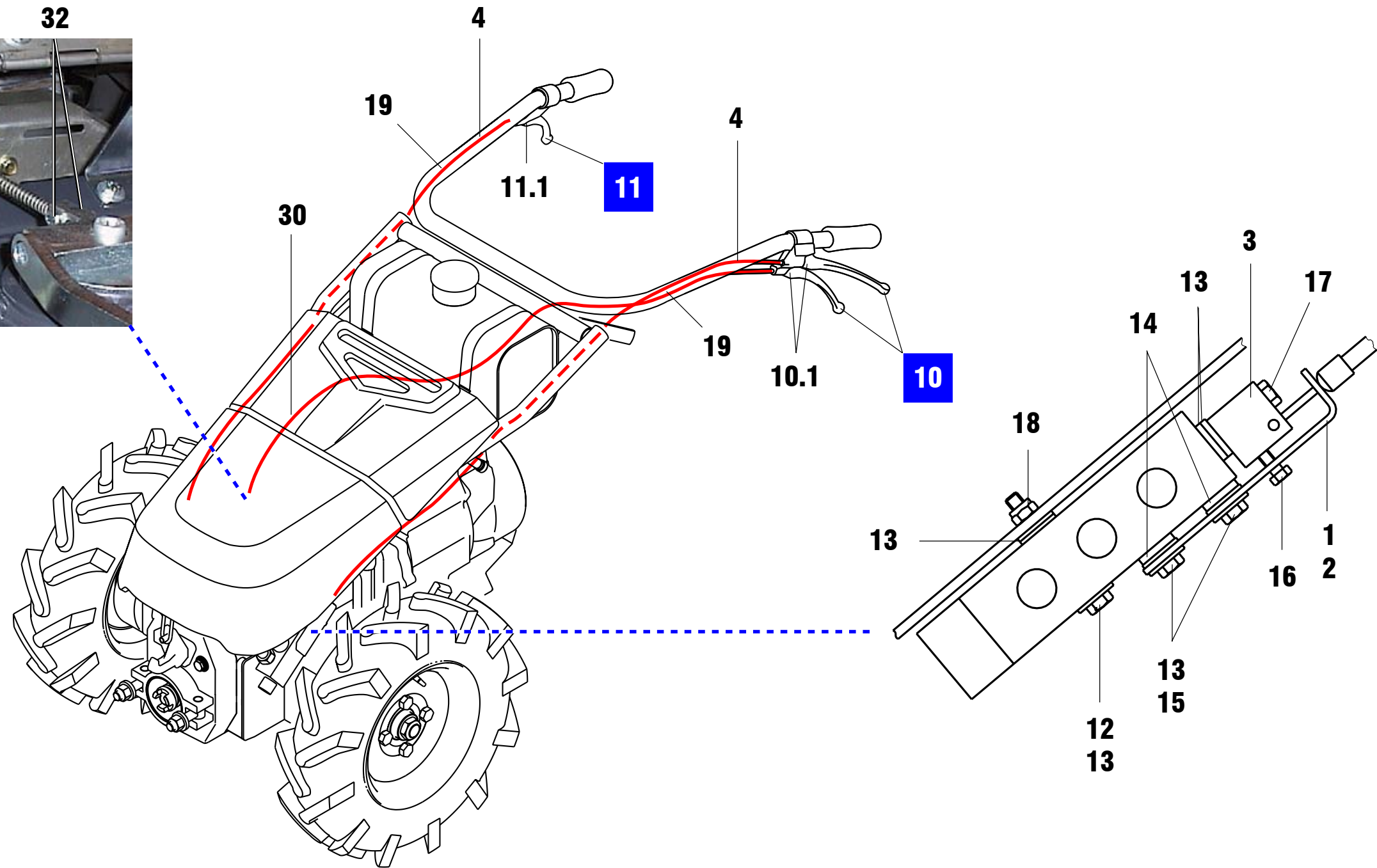
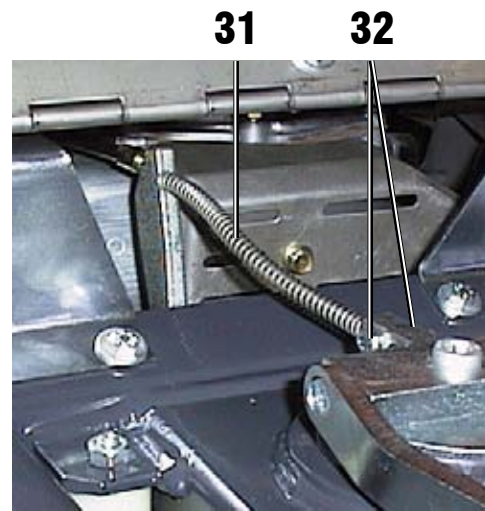
Holm höhenverstellbar



15019429-0

# Steering and clutch control

Handlebars height adjustable



Mancheron réglable en hauteur

# Commande de direction et d'embrayage



M9.1 L

12.7.00



## REFORM M9.1 L

### 06.12.00 LISTE 15019429-0

| PPOS | NR/TEXT  | Q      | QC |
|------|--|--------|----|
| 0010 | 15019634-0<br>HALTER RECHTS<br>SUPPORT<br>BRACKET                        | 1,000  | ST |
| 0020 | 15019635-0<br>HALTER LINKS<br>SUPPORT<br>BRACKET                         | 1,000  | ST |
| 0030 | 15019633-0<br>MITNEHMER<br>ENTRAINEUR<br>CARRIER                         | 2,000  | ST |
| 0040 | 15019620-0<br>SCHALTKABEL<br>CABLE DE COMMANDE<br>COMMANDER CABLE        | 2,000  | ST |
| 0100 | 09584803-0<br>BETAETIGUNGSHEBEL KPL. 2-FACH<br>LEVIER CPL.<br>LEVER CPL. | 1,000  | ST |
| 0101 | 09530141-0<br>NIPPEL<br>RACCORD<br>FITTING                               | 2,000  | ST |
| 0110 | 09584802-0<br>BETAETIGUNGSHEBEL KPL.<br>LEVIER CPL.<br>LEVER CPL.        | 1,000  | ST |
| 0111 | 09530141-0<br>NIPPEL<br>RACCORD<br>FITTING                               | 1,000  | ST |
| 0120 | 92067312-0<br>SECHSKANTSCHRAUBE<br>VIS<br>SCREW                          | 2,000  | ST |
| 0130 | 93300507-0<br>SCHEIBE<br>RONDELLE<br>WASHER                              | 18,000 | ST |
| 0140 | 93281004-0<br>SCHEIBE<br>RONDELLE<br>WASHER                              | 4,000  | ST |
| 0150 | 92097299-0<br>SECHSKANTSCHRAUBE<br>VIS<br>SCREW                          | 4,000  | ST |
| 0160 | 92097263-0<br>SECHSKANTSCHRAUBE<br>VIS A TETE HEXAGONALE<br>HEX SCREW    | 2,000  | ST |
| 0170 | 92067309-0<br>SECHSKANTSCHRAUBE<br>VIS<br>SCREW                          | 2,000  | ST |
| 0180 | 93085004-0<br>SICHERUNGSMUTTER<br>CONTRE-ECROU<br>LOCK NUT               | 2,000  | ST |
| 0190 | 09549908-0<br>KABELBINDER<br>SERRE-CABLE<br>CABLE CLIP                   | 4,000  | ST |
| 0300 | 15019619-0<br>KUPPLUNGSKABEL<br>CABLE DE COMMANDE<br>COMMANDER CABLE     | 1,000  | ST |
| 0310 | 09502042-0<br>DRUCKFEDER<br>RESSORT<br>SPRING                            | 1,000  | ST |
| 0320 | 92097260-0<br>SECHSKANTSCHRAUBE<br>VIS A TETE HEXAGONALE<br>HEX SCREW    | 2,000  | ST |

15019429-0

KAP. D

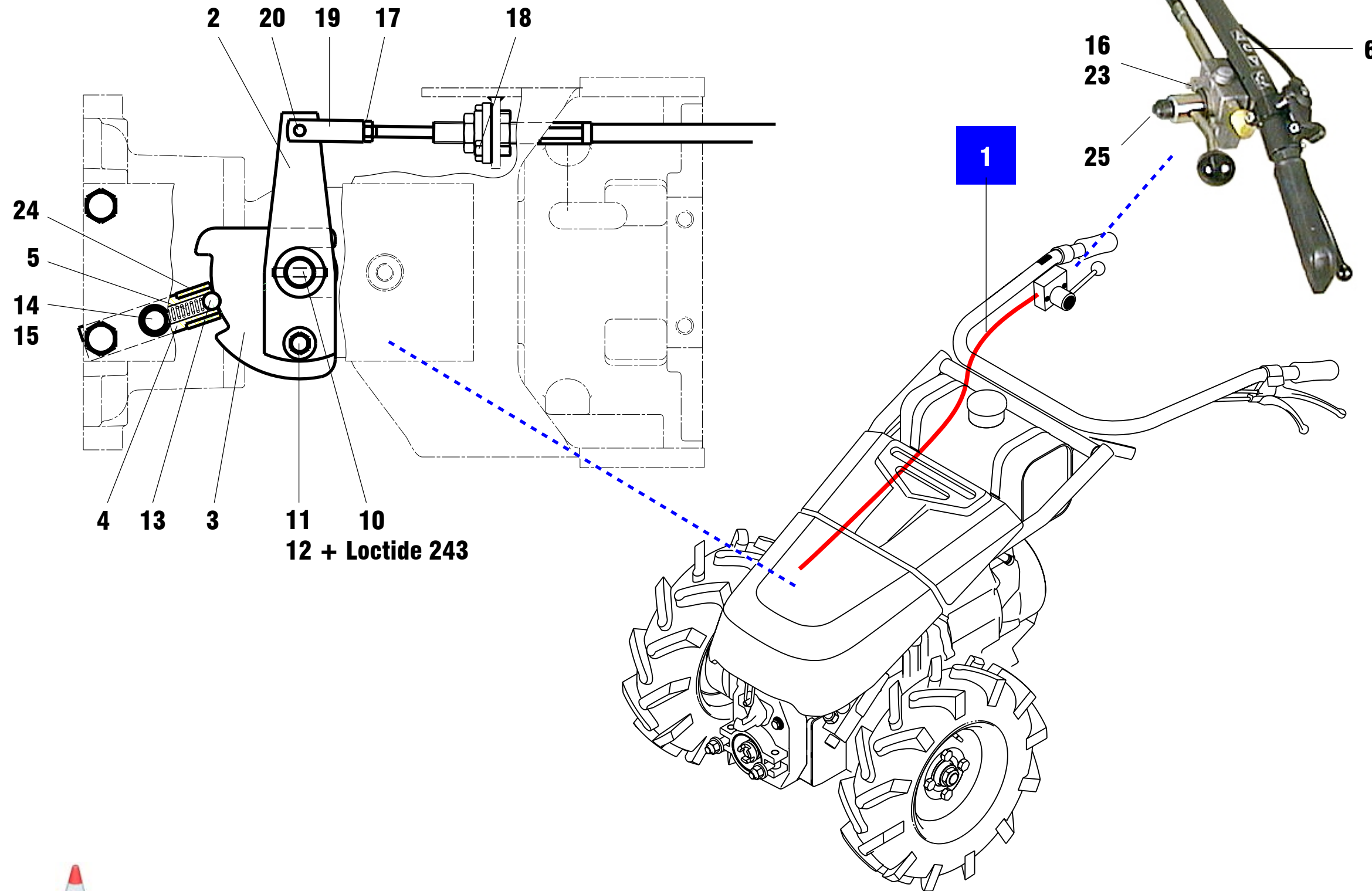
# Mechanische Fahrtriebsbetätigung

Holm höhenverstellbar

15019430-0

# Mechanical ground speed control

Handlebars height adjustable



Mancheron réglable en hauteur

# Commande mécanique de la vitesse d'avancement



M9.1 L

27.2.02

KAP. D **0**

## REFORM M9.1 L

### 06.12.00 LISTE 15019430-0

| PPOS | NR/TEXT  | Q     | QC |
|------|--|-------|----|
| 0010 | 15019448-0<br>SCHALKABEL FAHRBETATIGUNG<br>CABLE DECOMMANDE<br>COMMANDER CABLE | 1,000 | ST |
| 0020 | 15019615-0<br>SCHALTHEBEL<br>LEVIER<br>LEVER                                   | 1,000 | ST |
| 0030 | 15019616-0<br>STEUERSCHEIBE<br>DISQUE DE COMMANDE<br>SPOOL DISK                | 1,000 | ST |
| 0040 | 15019617-0<br>FEDERHALTER<br>ATTACHE<br>SUPPORT                                | 1,000 | ST |
| 0050 | 10510243-0<br>DRUCKFEDER<br>RESSORT<br>PRESSURE SPRING                         | 1,000 | ST |
| 0060 | 15017780-0<br>KLEBESCHILD<br>PLAQUETTE<br>ADHESIVE PLATE                       | 1,000 | ST |
| 0100 | 93545287-0<br>SPANNSTIFT<br>GOUPILLE ELASTIQUE<br>PIN                          | 1,000 | ST |
| 0110 | 92097299-0<br>SECHSKANTSCHRAUBE<br>VIS<br>SCREW                                | 1,000 | ST |
| 0120 | 93281004-0<br>SCHEIBE<br>RONDELLE<br>WASHER                                    | 1,000 | ST |

|      |   |       |    |
|------|---|-------|----|
| 0130 | 05600025-0<br>STAHLKUGEL<br>BILLE<br>BALL                             | 1,000 | ST |
| 0140 | 92097376-0<br>SECHSKANTSCHRAUBE<br>VIS A TETE HEXAGONALE<br>HEX SCREW | 1,000 | ST |
| 0150 | 93212011-0<br>SCHEIBE<br>RONDELLE<br>WASHER                           | 1,000 | ST |
| 0160 | 92067309-0<br>SECHSKANTSCHRAUBE<br>VIS<br>SCREW                       | 2,000 | ST |
| 0170 | 93056012-0<br>SECHSKANTMUTTER<br>ECROU HEXAGONAL<br>HEX NUT           | 1,000 | ST |
| 0180 | 92097299-0<br>SECHSKANTSCHRAUBE<br>VIS<br>SCREW                       | 2,000 | ST |
| 0190 | 09533008-0<br>GABELKOPF<br>FOURCHE<br>FORK                            | 1,000 | ST |
| 0200 | 09533040-0<br>BOLZEN<br>GOUJON<br>PIN                                 | 1,000 | ST |
| 0230 | 93140101-0<br>HUTMUTTER<br>ECROU BORGNE<br>NUT                        | 2,000 | ST |
| 0240 | 15019774-0<br>ANSCHLAGSCHLAUCHSTUECK<br>AMORTISSEUR<br>BUFFER         | 1,000 | ST |

|      |   |       |    |
|------|---|-------|----|
| 0250 | 09526524-0<br>SCHUTZKAPPE<br>CAPUCHON<br>PLUG | 1,000 | ST |
|------|---|-------|----|

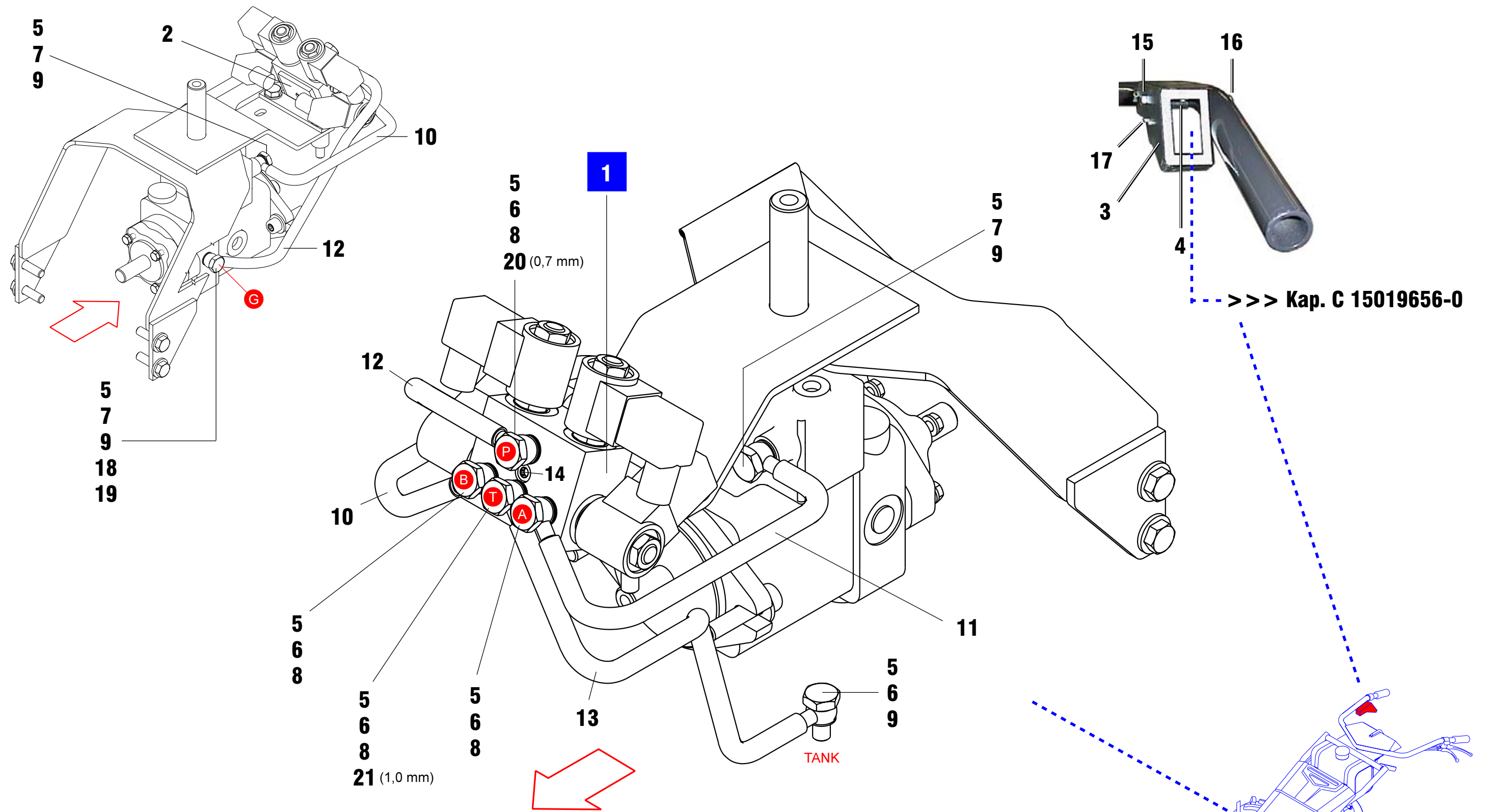
15019430-0

KAP. D

# Hydraulische Fahrtriebsbetätigung

15019431-0

# Hydraulical ground speed control

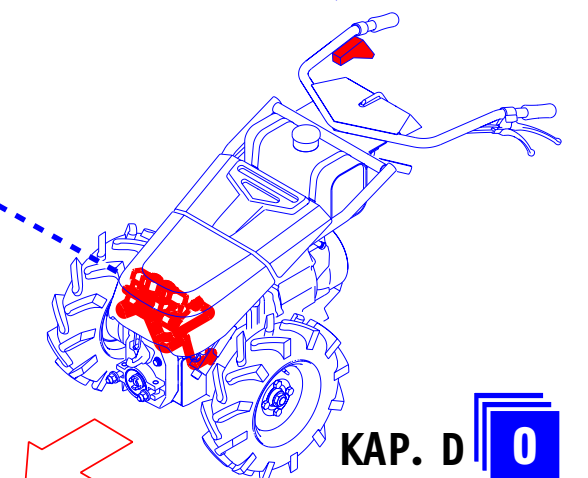


# Commande hydraulique de la vitesse d'avancement



M9.1 L / M9.2 L

18.7.00



KAP. D 0

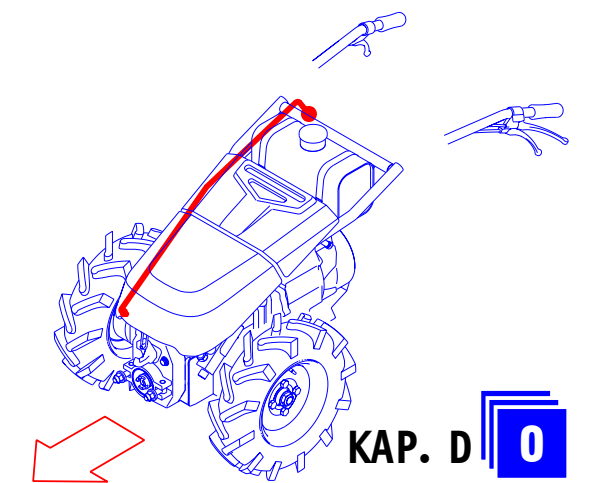
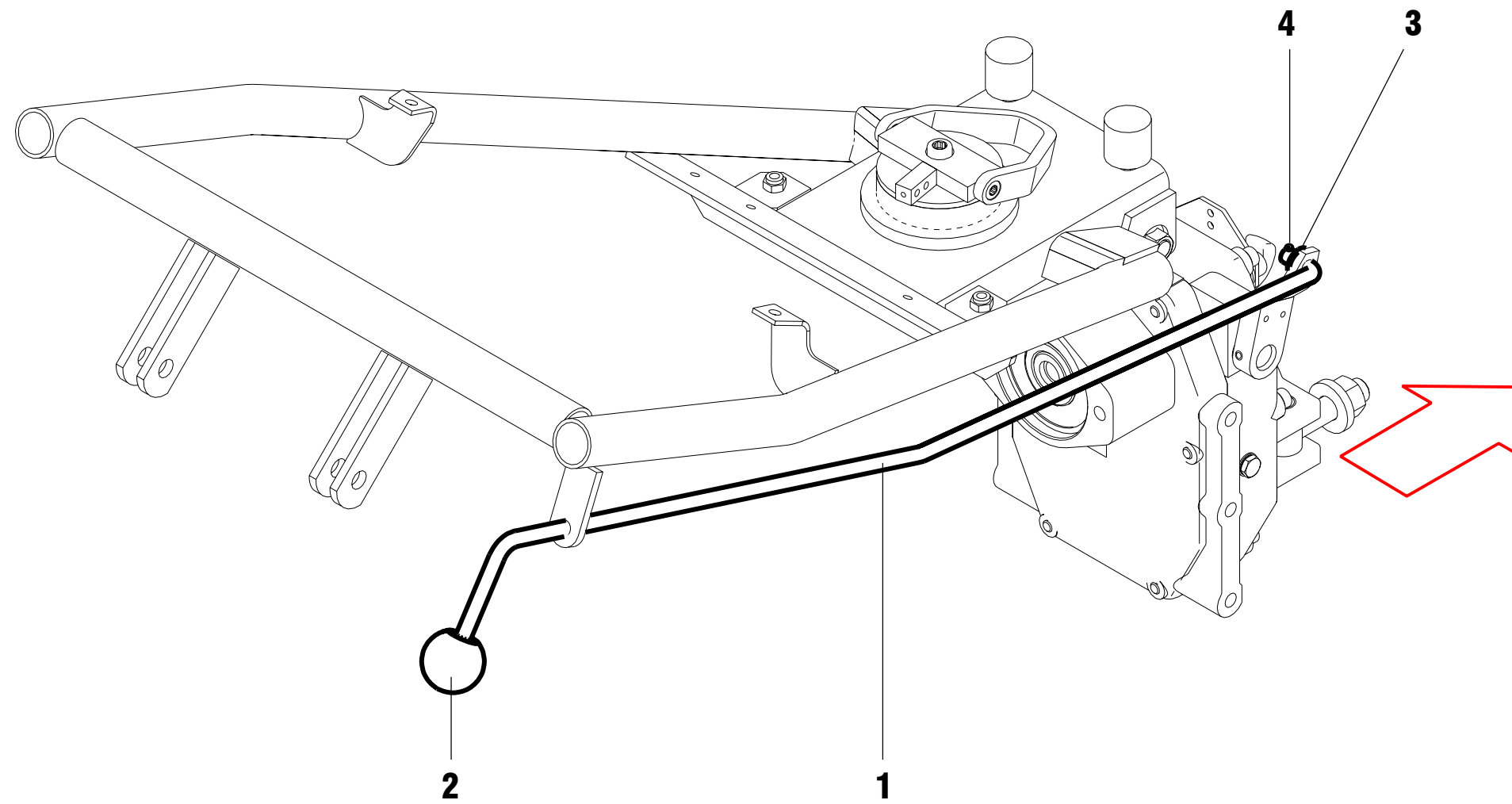
**REFORM M9.1 L / M9.2 L**

**06.12.00 LISTE 15019431-0**

| PPOS | NR/TEXT  | Q      | QC |
|------|--|--------|----|
| 0010 | 15018413-0<br>SCHALTBLOCK KPL.<br>DISTRIBUTEUR CPL.<br>CONTROL APPARATUS | 1,000  | ST |
| 0020 | 15019649-0<br>HALTER<br>SUPPORT<br>SUPPORT                               | 1,000  | ST |
| 0030 | 15019151-1<br>SCHALTKASTEN<br>BOITIER DE COMMANDE<br>COMMANDER BOX       | 1,000  | ST |
| 0040 | 15018530-0<br>DISTANZROHR<br>TUBE DE DISTANCE<br>TUBE                    | 2,000  | ST |
| 0050 | 09518544-0<br>RINGSCHLAUCHNIPPEL<br>RACCORD<br>NIPPEL                    | 8,000  | ST |
| 0060 | 09518510-0<br>HOHLSCHRAUBE<br>VIS CREUSE<br>UNION                        | 5,000  | ST |
| 0070 | 09518474-0<br>HOHLSCHRAUBE<br>VIS CREUSE<br>UNION                        | 3,000  | ST |
| 0080 | 09519010-0<br>ALU-DICHTSCHEIBE<br>JOINT<br>GASKET                        | 12,000 | ST |
| 0090 | 09519087-0<br>KUPFERDICHTSCHEIBE<br>JOINT CUIVRE<br>GASKET               | 8,000  | ST |

|      |   |       |    |
|------|---|-------|----|
| 0100 | 09546003-0<br>SCHLAUCH PER METER<br>TUYAU PER METRE<br>HOSE PAR METER | 0,250 | M  |
| 0110 | 09546003-0<br>SCHLAUCH PER METER<br>TUYAU PER METRE<br>HOSE PAR METER | 0,250 | M  |
| 0120 | 09546003-0<br>SCHLAUCH PER METER<br>TUYAU PER METRE<br>HOSE PAR METER | 0,380 | M  |
| 0130 | 09546003-0<br>SCHLAUCH PER METER<br>TUYAU PER METRE<br>HOSE PAR METER | 0,310 | M  |
| 0140 | 92137086-0<br>INNENSECHSKANTSCHRAUBE<br>VIS<br>SCREW                  | 1,000 | ST |
| 0150 | 92097313-0<br>SECHSKANTSCHRAUBE<br>VIS<br>SCREW                       | 2,000 | ST |
| 0160 | 09314161-0<br>BRIDE<br>BRIDE<br>COLLAR                                | 2,000 | ST |
| 0170 | 09530379-0<br>BLINDNIET<br>RIVET<br>RIVET                             | 2,000 | ST |
| 0180 | 09544301-0<br>GEWINDEADAPTER<br>RACCORD<br>CONNECTION                 | 1,000 | ST |
| 0190 | 09519097-0<br>KUPFERDICHTSCHEIBE<br>JOINT CUIVRE<br>GASKET            | 1,000 | ST |

|      |   |       |    |
|------|---|-------|----|
| 0200 | 15019775-0<br>BLENDE 0,7 MM<br>ORIFICE DE RESTRICTION<br>RESTRICTOR | 1,000 | ST |
| 0210 | 15019778-0<br>BLENDE 1 MM<br>ORIFICE DE RESTRICTON<br>RESTRICTOR    | 1,000 | ST |



# REFORM M9.1 L

## 06.12.00 LISTE 15019432-0

| PPOS | NR/TEXT   | Q     | QC |
|------|---|-------|----|
| 0010 | 15019636-0<br>SCHALTSTANGE ZAPFWELLE<br>TRINGLE DE COMMANDE<br>SLIDING SELECTOR SHAFT | 1,000 | ST |
| 0020 | 09530236-0<br>KUGELKNOPF<br>BOUTON<br>HANDLE  | 1,000 | ST |
| 0030 | 93212012-0<br>SCHEIBE<br>RONDELLE<br>WASHER   | 1,000 | ST |
| 0040 | 93565202-0<br>SPLINT<br>GOUPILLE FENDUE<br>SPLIT PIN                                  | 1,000 | ST |

15019432-0

KAP. D

# Betätigung Handgas

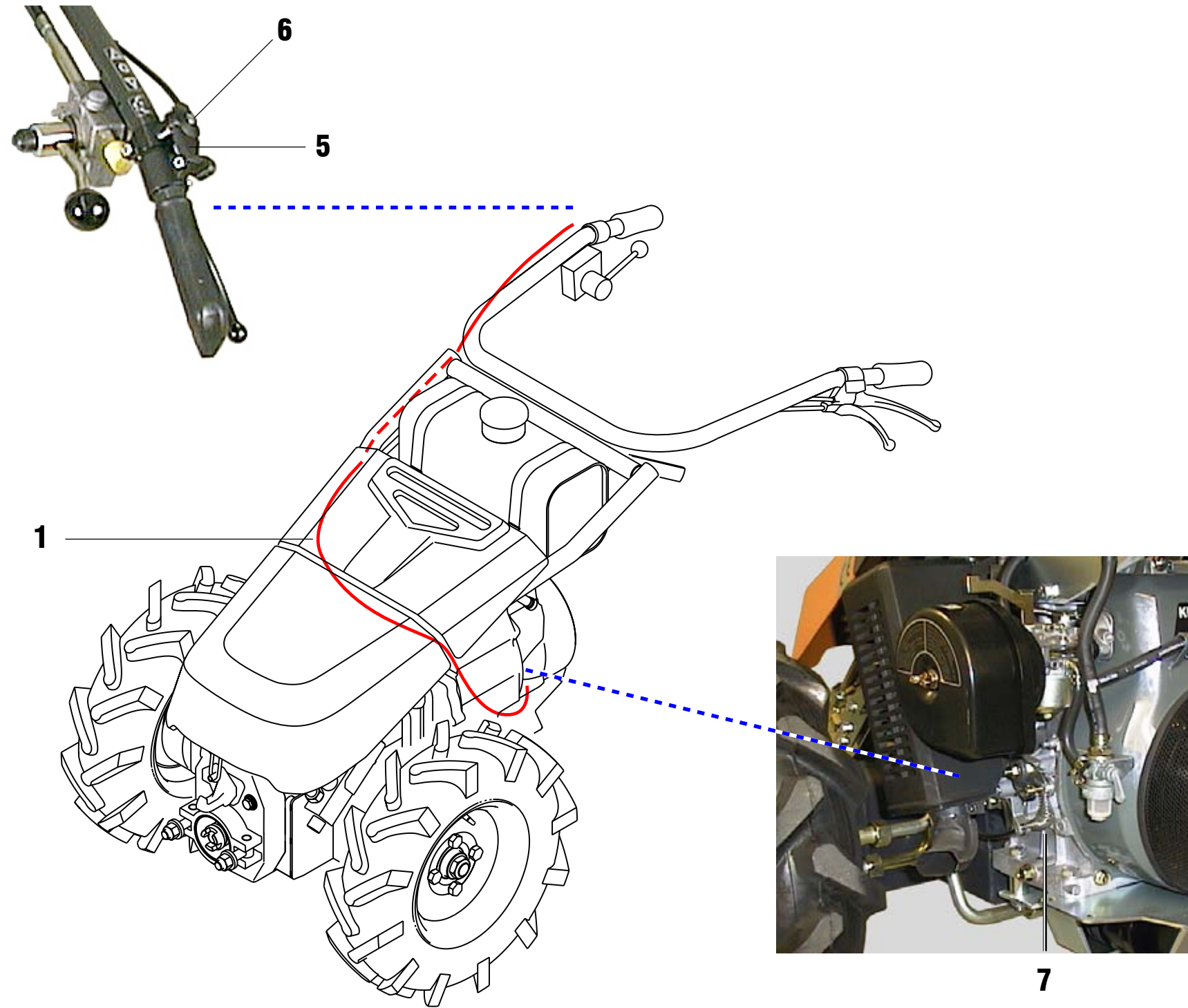
Holm höhenverstellbar



15019433-0

# Throttle control

Handlebars height adjustable



Mancheron réglable en hauteur

# Commande d'accélérateur



M9.1 L

13.7.00



# REFORM M9.1 L

## 06.12.00 LISTE 15019433-0

| PPOS | NR/TEXT   | Q     | QC |
|------|---|-------|----|
| 0010 | 15019621-0<br>SCHALTKABEL<br>CABLE DE COMMANDE<br>COMMANDER CABLE   | 1,000 | ST |
| 0050 | 09530131-0<br>HANDGASHEBEL<br>LEVIER DES GAZ<br>THROTTLE HAND LEVER | 1,000 | ST |
| 0060 | 92296257-0<br>FLACHKOPFSCHRAUBE<br>VIS<br>SCREW                     | 1,000 | ST |
| 0070 | E1243556650<br>FEDER<br>RESSORT                                     | 1,000 | ST |

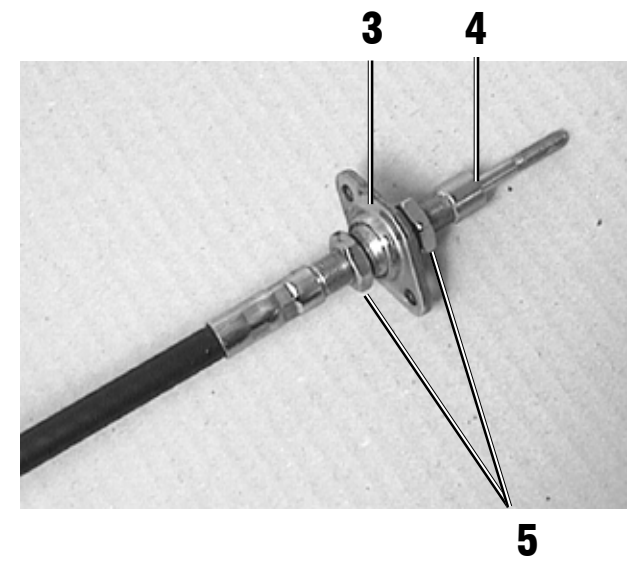
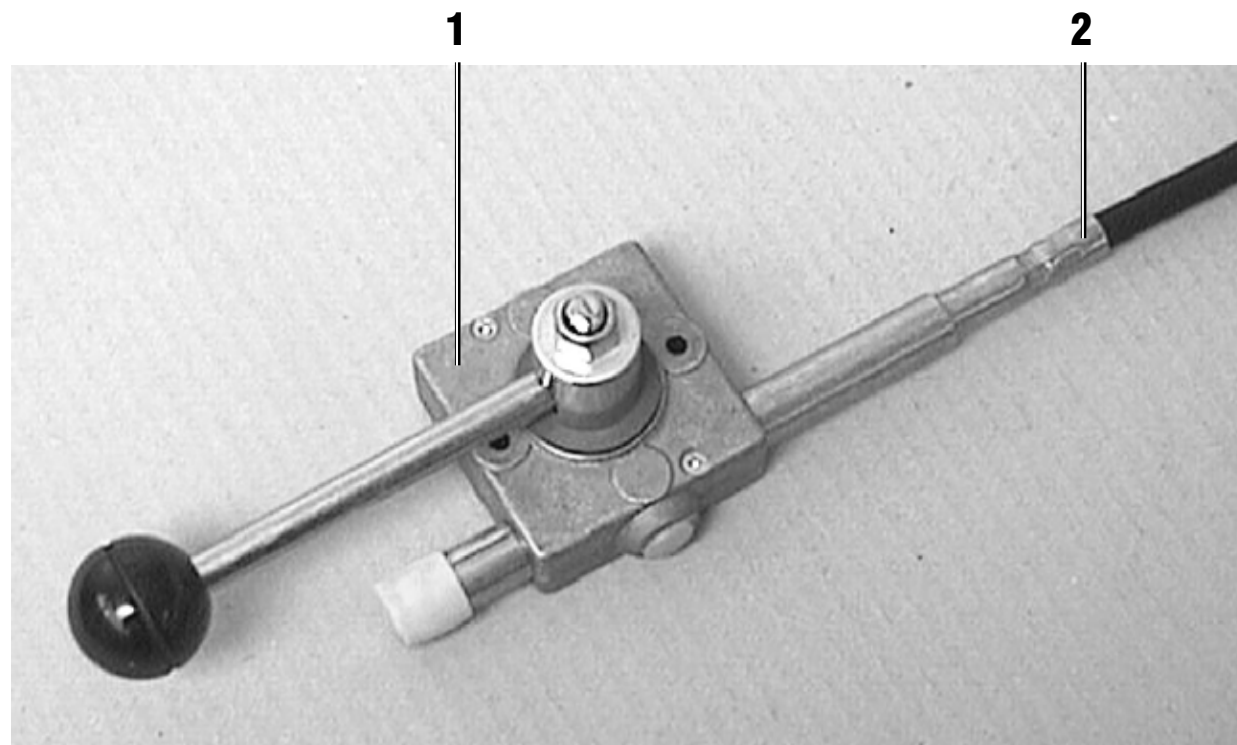
15019433-0

KAP. D

Schaltkabel

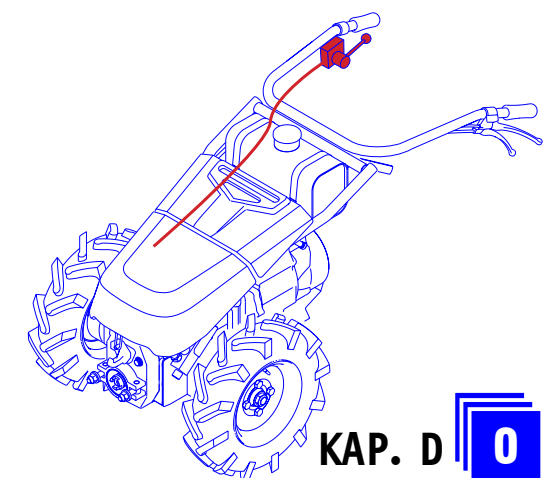
15019448-0

Commander cable



Câble de commande

 **M9.1 L**  
5.12.00



## REFORM M9.1 L

### 06.12.00 LISTE 15019448-0

| PPOS | NR/TEXT  | Q     | QC |
|------|--|-------|----|
| 0010 | 17904990-0<br>SCHALTGERAET<br>COMMUTATEUR<br>SWITCHGEAR              | 1,000 | ST |
| 0020 | 17905179-0<br>SCHALTKABEL<br>CABLE DE COMMANDE<br>COMMANDER CABLE    | 1,000 | ST |
| 0030 | 17901398-0<br>KUGELGELENK MIT FLANSCH<br>FLASQUE A ROTULE<br>BEARING | 1,000 | ST |
| 0040 | 17901401-0<br>DICHTMUTTER<br>ECROU AVEC JOINT<br>NUT                 | 1,000 | ST |
| 0050 | 17901397-0<br>SECHSKANTMUTTER<br>ECROU<br>NUT                        | 2,000 | ST |

15019448-0

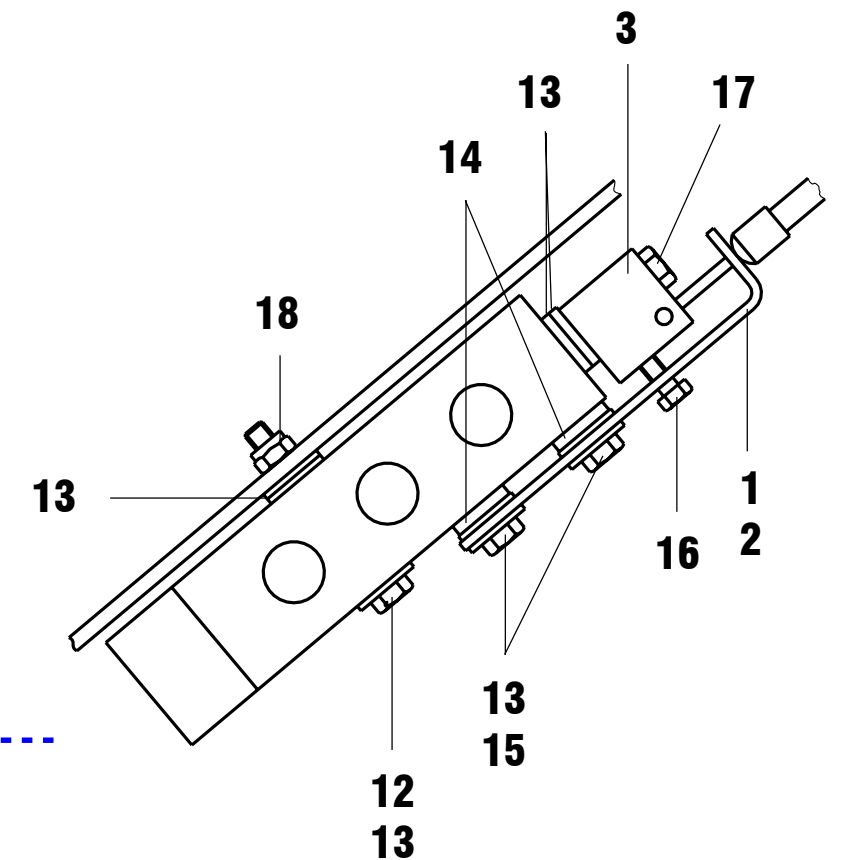
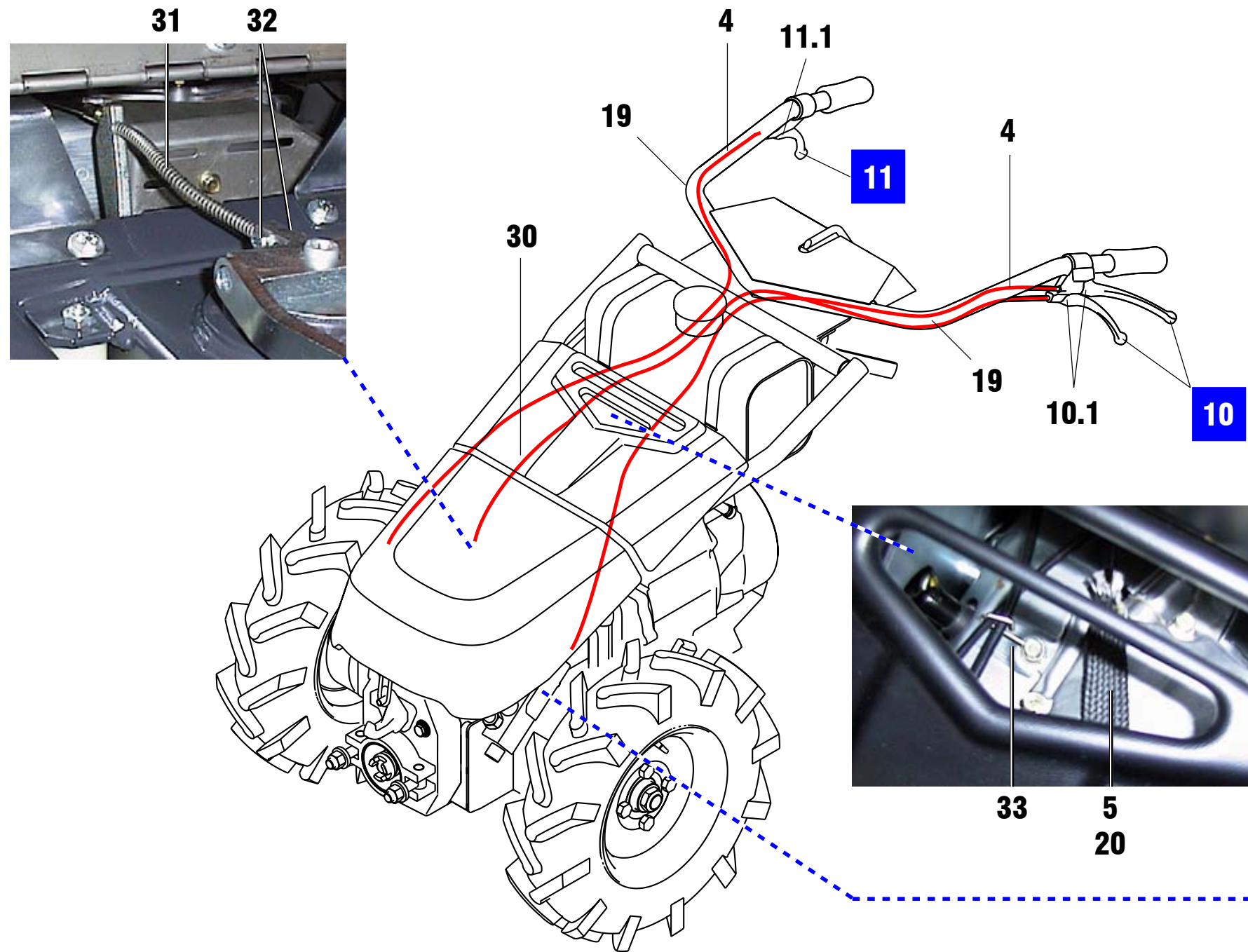
# Betätigung Lenkung und Kupplung

Holm höhen- und seitenverstellbar

15019654-0

# Steering and clutch control

Handlebars height- and side adjustable



Mancheron réglable en hauteur et latéralement

# Commande de direction et d'embrayage



M9.1 L

12.7.00

KAP. D **0**

## REFORM M9.1 L

### 06.12.00 LISTE 15019654-0

| PPOS | NR/TEXT  | Q     | QC |
|------|--|-------|----|
| 0010 | 15019634-0<br>HALTER RECHTS<br>SUPPORT<br>BRACKET                        | 1,000 | ST |
| 0020 | 15019635-0<br>HALTER LINKS<br>SUPPORT<br>BRACKET                         | 1,000 | ST |
| 0030 | 15019633-0<br>MITNEHMER<br>ENTRAINEUR<br>CARRIER                         | 2,000 | ST |
| 0040 | 15019623-0<br>SCHALTKABEL<br>CABLE DE COMMANDE<br>COMMANDER CABLE        | 2,000 | ST |
| 0050 | 15016142-0<br>HITZESCHUTZ<br>CONE D'ABLATION<br>THERMAL SHIELD           | 1,000 | ST |
| 0100 | 09584803-0<br>BETAETIGUNGSHEBEL KPL. 2-FACH<br>LEVIER CPL.<br>LEVER CPL. | 1,000 | ST |
| 0101 | 09530141-0<br>NIPPEL<br>RACCORD<br>FITTING                               | 2,000 | ST |
| 0110 | 09584802-0<br>BETAETIGUNGSHEBEL KPL.<br>LEVIER CPL.<br>LEVER CPL.        | 1,000 | ST |
| 0111 | 09530141-0<br>NIPPEL<br>RACCORD<br>FITTING                               | 1,000 | ST |

|      |   |        |    |
|------|---|--------|----|
| 0120 | 92067312-0<br>SECHSKANTSCHRAUBE<br>VIS<br>SCREW                       | 2,000  | ST |
| 0130 | 93300507-0<br>SCHEIBE<br>RONDELLE<br>WASHER                           | 18,000 | ST |
| 0140 | 93281004-0<br>SCHEIBE<br>RONDELLE<br>WASHER                           | 4,000  | ST |
| 0150 | 92097299-0<br>SECHSKANTSCHRAUBE<br>VIS<br>SCREW                       | 4,000  | ST |
| 0160 | 92097263-0<br>SECHSKANTSCHRAUBE<br>VIS A TETE HEXAGONALE<br>HEX SCREW | 2,000  | ST |
| 0170 | 92067309-0<br>SECHSKANTSCHRAUBE<br>VIS<br>SCREW                       | 2,000  | ST |
| 0180 | 93085004-0<br>SICHERUNGSMUTTER<br>CONTRE-ECROU<br>LOCK NUT            | 2,000  | ST |
| 0190 | 09549908-0<br>KABELBINDER<br>SERRE-CABLE<br>CABLE CLIP                | 4,000  | ST |
| 0200 | 09549902-0<br>KABELBINDER<br>SERRE-CABLE<br>CABLE CLIP                | 2,000  | ST |
| 0300 | 15019622-0<br>SCHALTKABEL<br>CABLE DE COMMANDE<br>COMMANDER CABLE     | 1,000  | ST |

|      |   |       |    |
|------|---|-------|----|
| 0310 | 09502042-0<br>DRUCKFEDER<br>RESSORT<br>SPRING                         | 1,000 | ST |
| 0320 | 92097260-0<br>SECHSKANTSCHRAUBE<br>VIS A TETE HEXAGONALE<br>HEX SCREW | 2,000 | ST |
| 0330 | 15013263-0<br>KABELFUEHRUNG<br>GUIDE CABLE<br>CLIP                    | 1,000 | ST |

15019654-0

KAP. D

# Betätigung Handgas

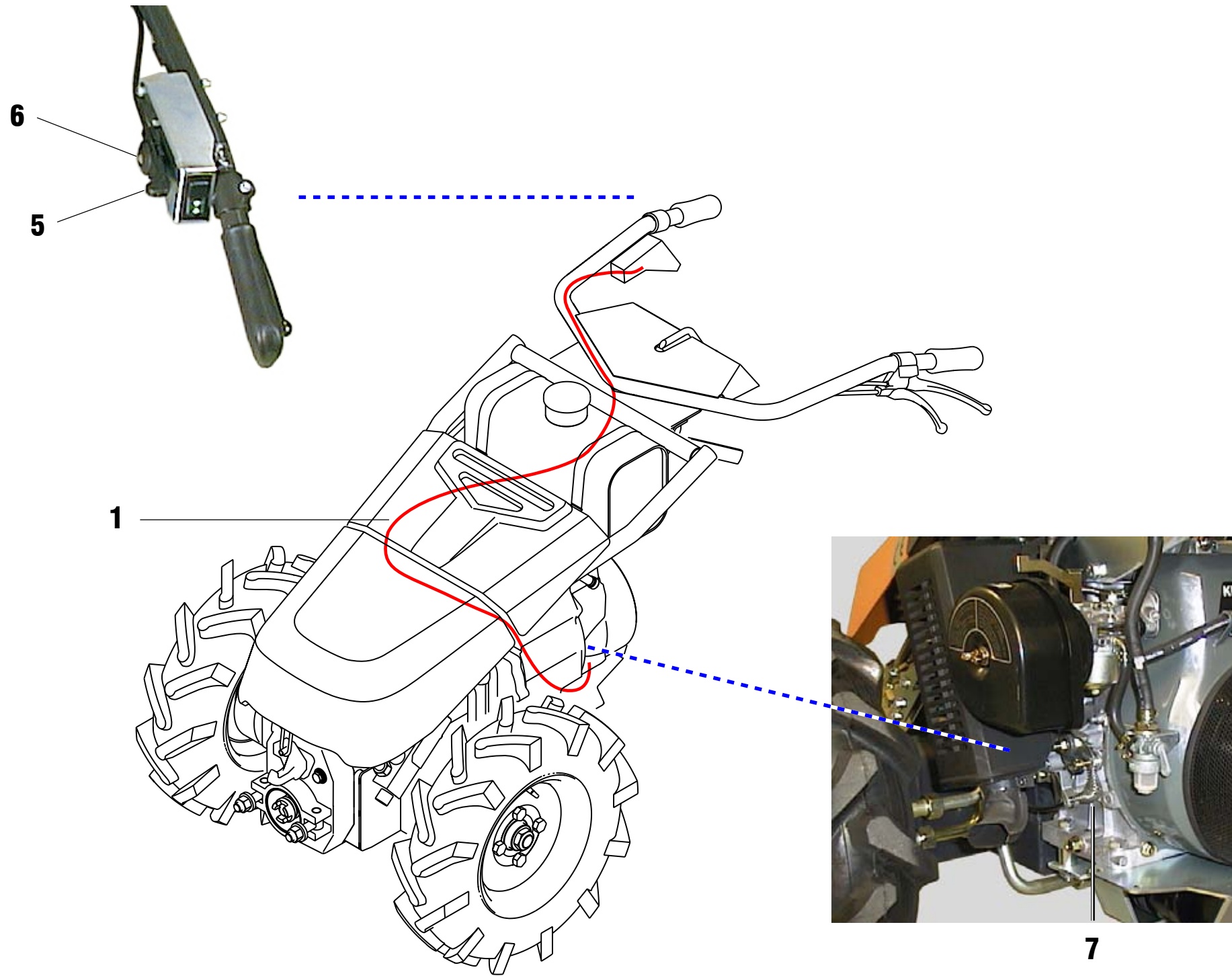
Holm höhen- und seitenverstellbar



15019655-0

# Throttle control

Handlebars height- and side adjustable



Mancheron réglable en hauteur et latéralement

# Commande d'accélérateur



M9.1 L

13.7.00

KAP. D **0**

# REFORM M9.1 L

## 06.12.00 LISTE 15019655-0

| PPOS | NR/TEXT   | Q     | QC |
|------|---|-------|----|
| 0010 | 15019624-0<br>SCHALTKABEL<br>CABLE DE COMMANDE<br>COMMANDER CABLE   | 1,000 | ST |
| 0050 | 09530131-0<br>HANDGASHEBEL<br>LEVIER DES GAZ<br>THROTTLE HAND LEVER | 1,000 | ST |
| 0060 | 93086054-0<br>SICHERUNGSMUTTER<br>ECROU<br>NUT                      | 1,000 | ST |
| 0070 | E1243556650<br>FEDER<br>RESSORT                                     | 1,000 | ST |

15019655-0

KAP. D

## Handschutzbügel für Holm

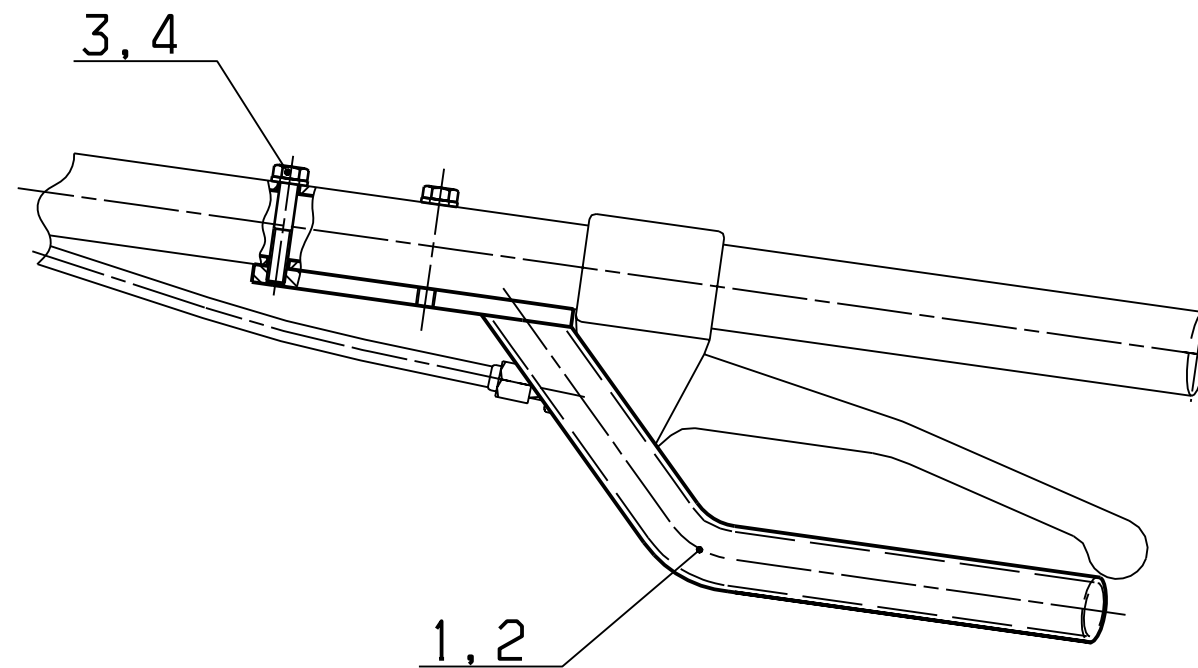
Nur höhen- und seitenverstellbarer Holm



15019685-0

## Handprotection on the handlebar

Only for vertically and laterally adj. handlebar



Seulement pour machines avec mancheons réglables en hauteur et latéralement

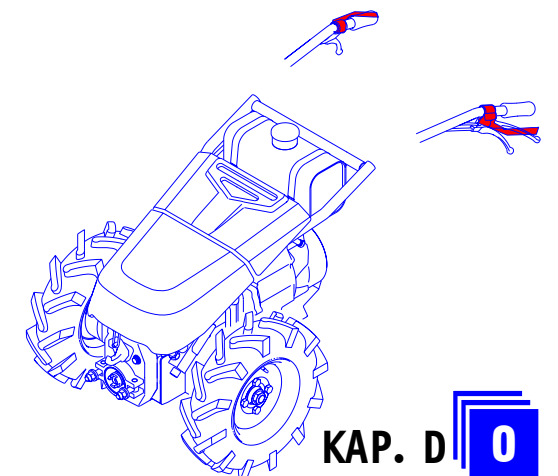
## Protections pour les mains sur mancherons

**Option**



**M9.1 L / M9.2 L**

2.4.02



KAP. D **0**



**REFORM M9.1 L / M9.2 L**

**02.04.02 LISTE 15019685-0**

| PPOS | NR/TEXT   | Q     | QC |
|------|---|-------|----|
| 0010 | 15019686-0<br>HANDSCHUTZBUEGEL RECHTS<br>PROTECTEUR DROIT<br>PROTECTOR RH | 1.000 | ST |
| 0020 | 15019687-0<br>HANDSCHUTZBUEGEL LINKS<br>PROTECTEUR GAUCHE<br>PROTECTOR LH | 1.000 | ST |
| 0030 | 92067308-0<br>SECHSKANTSCHRAUBE<br>VIS<br>SCREW                           | 4.000 | ST |
| 0040 | 93210517-0<br>SCHEIBE<br>RONDELLE<br>WASHER                               | 4.000 | ST |
| 0050 | 09293127-0<br>PVC-FLACHBEUTEL 300X400MM                                   | 1.000 | ST |

1501519685-0

KAP. D



**REFORM M9.1 L**

**E**

**Räder**

- 15015146-0 Räder 21x11.00-8 AS
- 15015355-0 Räder 5.00-10 AS
- 15015448-0 Doppelräder 5.00-10 AS
- 15015451-0 Gitterräder 5.00-10
- 15015454-0 Gitterräder 21x11.00-8
- 15019201-0 Doppelräder 5.00-10 AS
- 15019379-0 Breitspursatz

**Roues**

- Roues 21x11.00-8 AS
- Roues 5.00-10 AS
- Roues jumelées 5.00-10 AS
- Roues à cage 5.00-10
- Roues à cage 21x11.00-8
- Roues jumelées 5.00-10 AS
- Jeu de modification voie large

**Wheels**

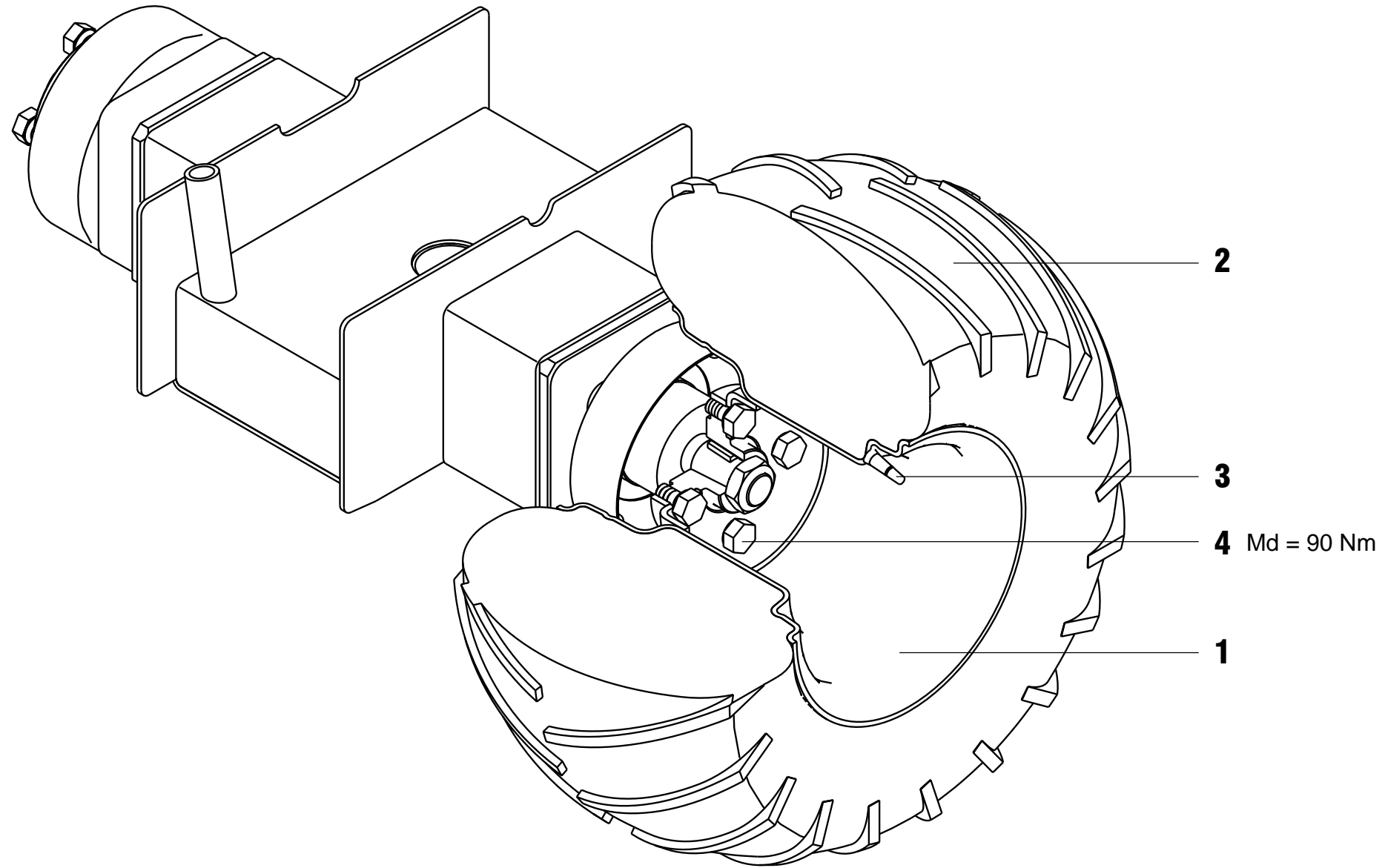
- Wheels 21x11.00-8 AS
- Wheels 5.00-10 AS
- Dual wheels 5.00-10 AS
- Cage wheels 5.00-10
- 21x11.00-8 Cage wheels
- Dual wheels 5.00-10 AS
- Wide track kit

**E**

Räder 21x11.00-8 AS

15015146-0

Wheels 21x11.00-8 AS



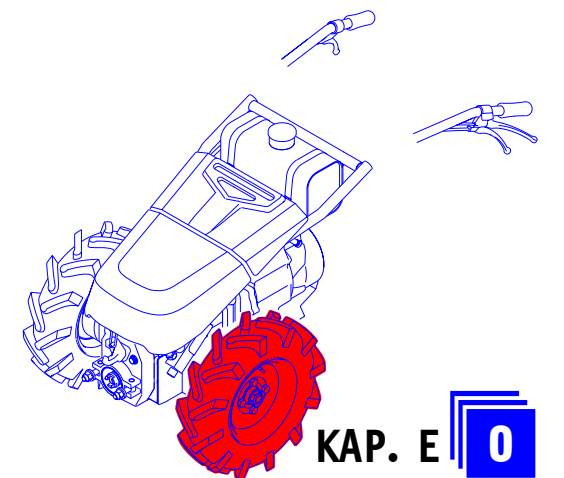
Roues 21x11.00-8 AS

Option



M9.1 L / M9.2 L

28.7.00



KAP. E

0

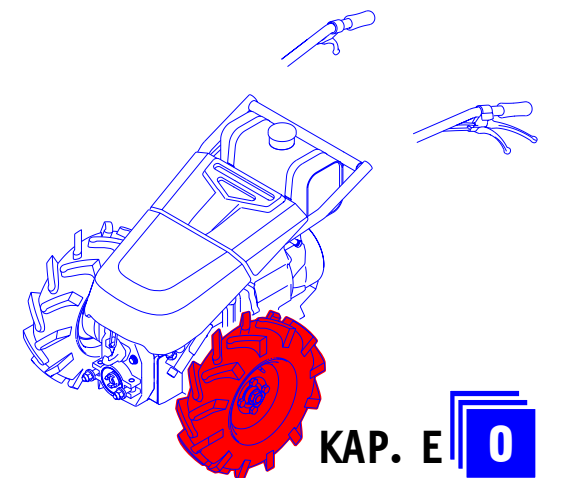
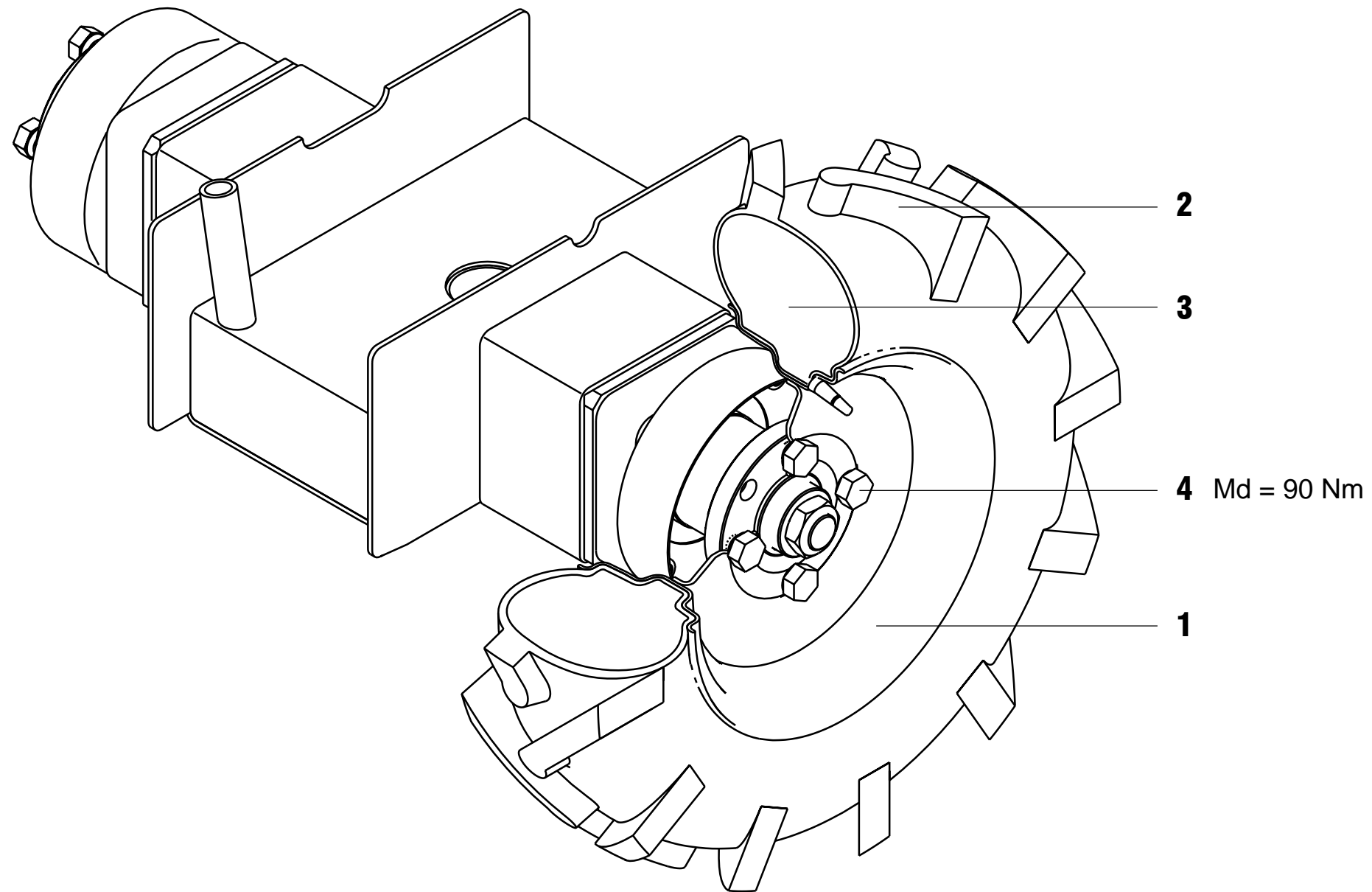
**REFORM M9.1 L / M9.2 L**

**06.12.00 LISTE 15015146-0**

| PPOS | NR/TEXT   | Q     | QC |
|------|---|-------|----|
| 0010 | 15012623-0<br>TIEFBETTFELGE<br>JANTE<br>RIM                                     | 2,000 | ST |
| 0020 | 09504795-0<br>PNEU 21X11.00-8 XLP<br>PNEU 21X11.00-8 XLP<br>TYRE 21X11.00-8 XLP | 2,000 | ST |
| 0030 | 09504771-0<br>REIFENVENTIL<br>SOUPAPE PNEU<br>VALVE                             | 2,000 | ST |
| 0040 | 15004914-0<br>RADSCHRAUBE<br>BOULON<br>TIRE BOLT                                | 8,000 | ST |

15015146-0

KAP. E



**REFORM M9.1 L / M9.2 L**

**06.12.00 LISTE 15015355-0**

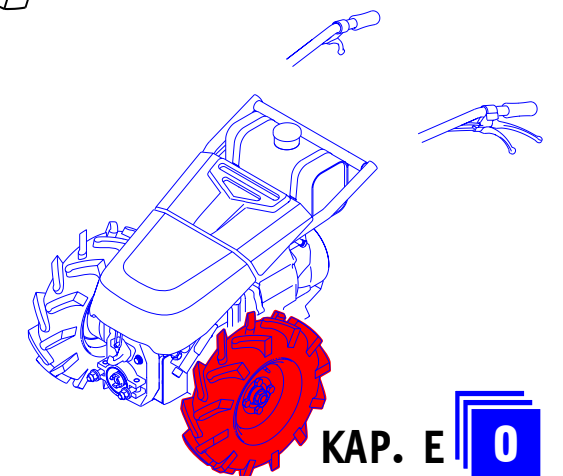
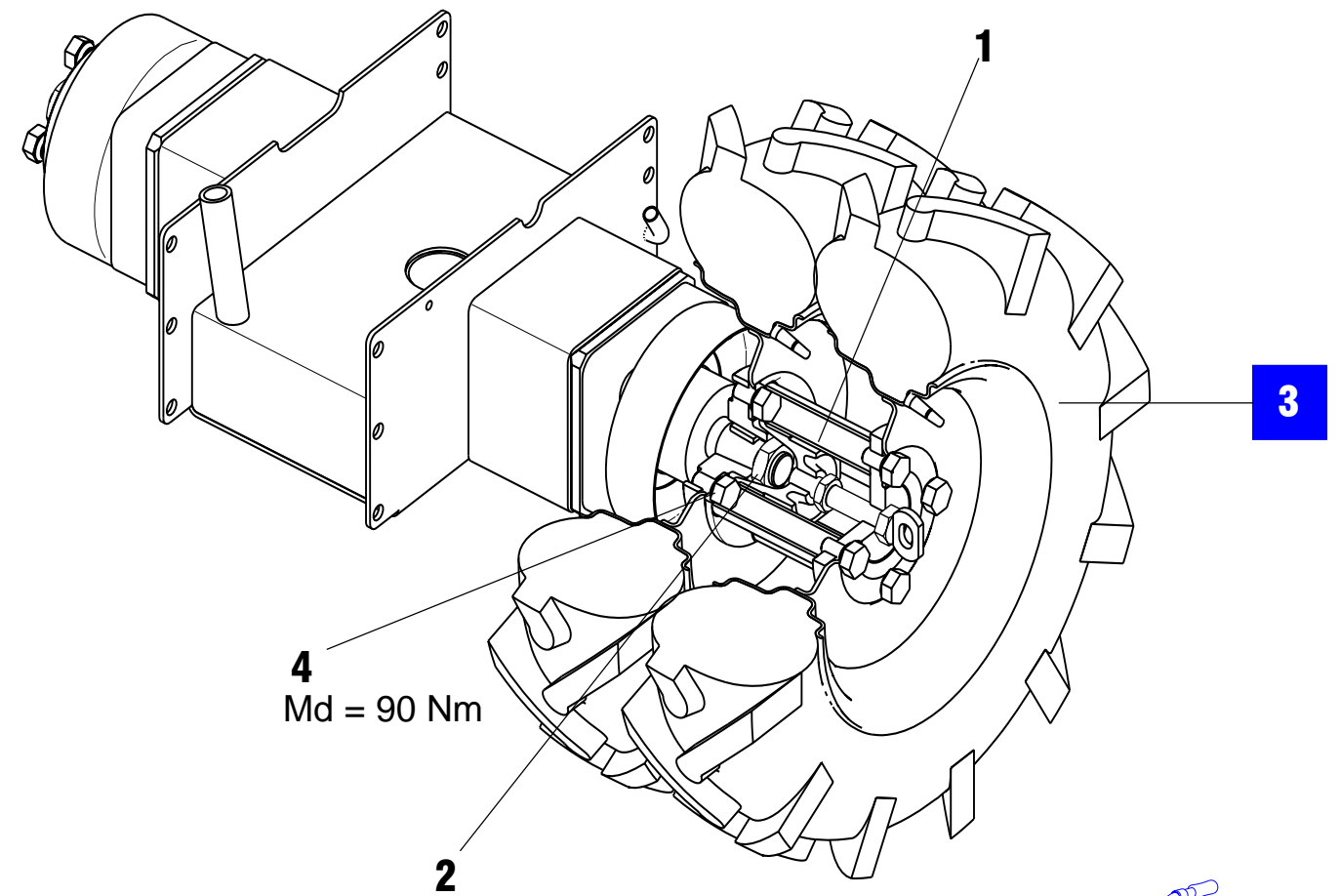
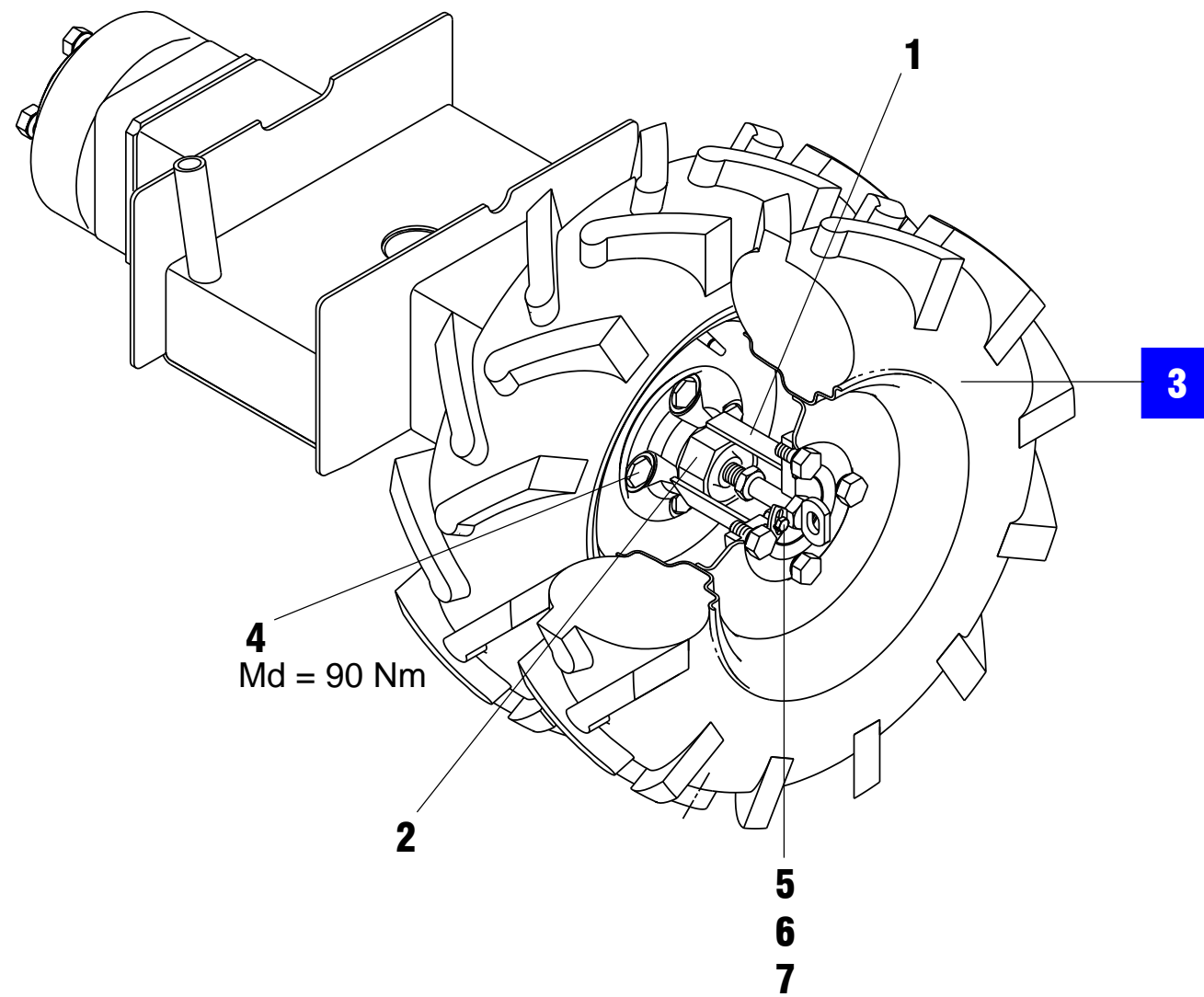
| PPOS | NR/TEXT   | Q     | QC |
|------|---|-------|----|
| 0010 | 15009969-0<br>FELGE<br>JANTE<br>RIM   | 2,000 | ST |
| 0020 | 09504630-0<br>PNEU 5.00-10 AS<br>PNEU 5.00-10 AS<br>TYRE 5.00-10 AS           | 2,000 | ST |
| 0030 | 09504822-0<br>SCHLAUCH 5.00-10<br>CHAMBRE A AIR 5.00-10<br>INNER TUBE 5.00-10 | 2,000 | ST |
| 0040 | 15004914-0<br>RADSCHRAUBE<br>BOULON<br>TIRE BOLT                              | 8,000 | ST |

15015355-0

KAP. E

Version A

Version B





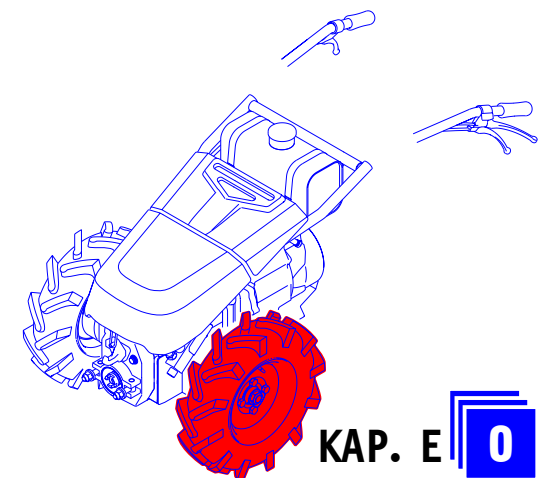
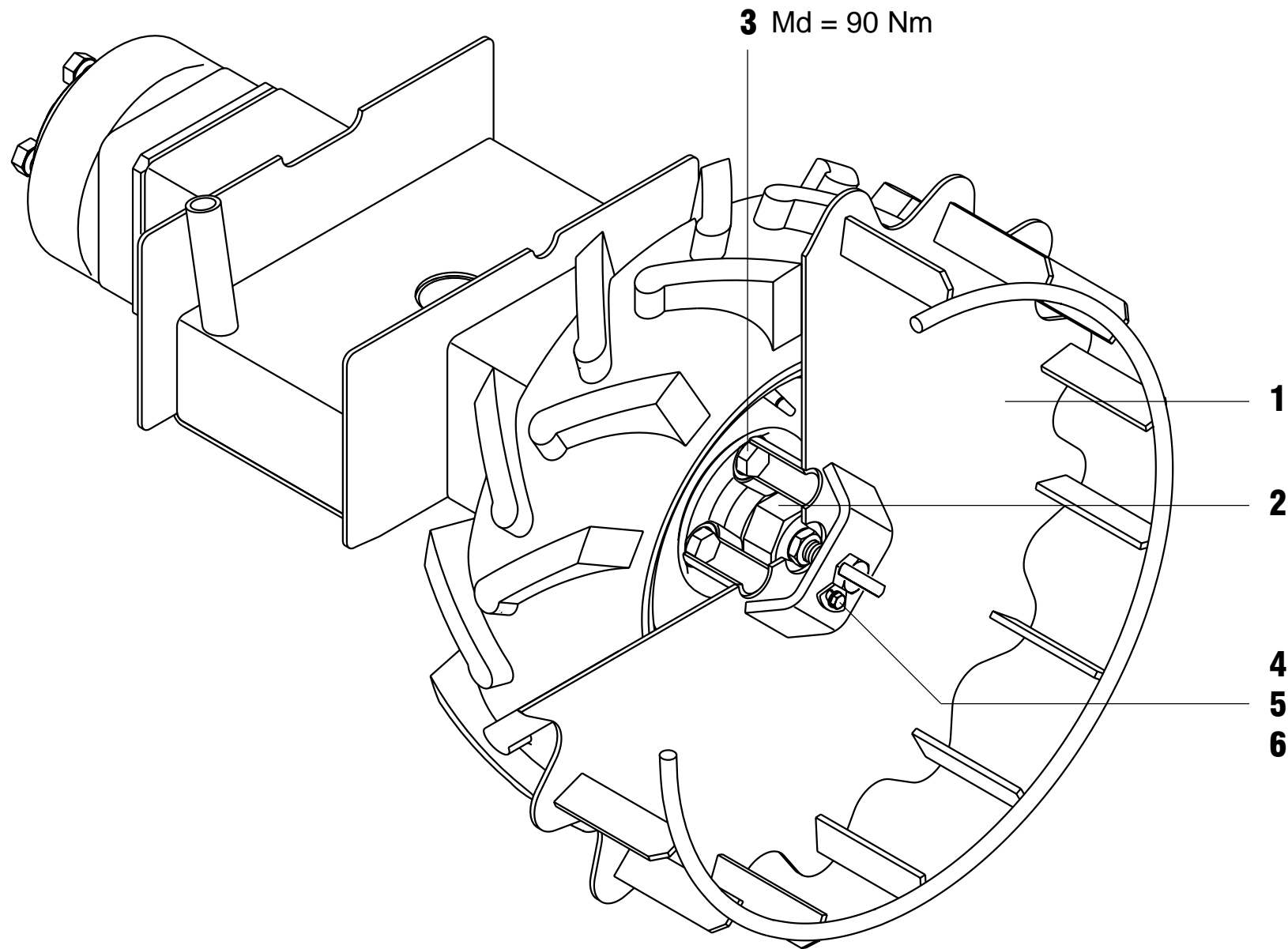
**REFORM M9.1 L / M9.2 L**

**06.12.00 LISTE 15015448-0 (A)**

| PPOS | NR/TEXT  | Q     | QC |
|------|--|-------|----|
| 0010 | 15015389-0<br>FLANSCH<br>FLASQUE<br>FLANGE   | 2,000 | ST |
| 0020 | 15015356-1<br>MITNEHMER<br>ENTRAINEUR<br>FLANGE  | 2,000 | ST |
| 0030 | 15015355-0<br>BEREIFUNG 5,00-10 AS ZU ELITE 7<br>EIN PAAR<br>ROUES 5,00-10 AS POUR ELITE 7/8<br>PAR PAIRE<br>WHEELS 5,00-10 AS FOR ELITE 7/8<br>PER PAIR | 1,000 | PA |
| 0040 | 10310172-0<br>RADSCHRAUBE<br>BOULON DE ROUE<br>WHEEL BOLT  | 8,000 | ST |
| 0050 | 15018410-0<br>SICHERUNGSBLECH<br>TOLE D'ARRET<br>LOCKING PLATE   | 2,000 | ST |
| 0060 | 92097299-0<br>SECHSKANTSCHRAUBE<br>VIS<br>SCREW  | 2,000 | ST |
| 0070 | 93212009-0<br>SCHEIBE<br>RONDELLE<br>WASHER  | 2,000 | ST |

**04.03.03 LISTE 15015448-0 (B)**

| PPOS | NR/TEXT   | Q     | QC  |
|------|---|-------|-----|
| 0010 | 15015389-1<br>FLANSCH<br>FLASQUE<br>FLANGE  | 2.000 | ST  |
| 0020 | 15015356-1<br>MITNEHMER<br>ENTRAINEUR<br>FLANGE   | 2.000 | ST  |
| 0030 | 15015355-0<br>BEREIFUNG 5,00-10 AS ZU ELITE 7/8,<br>EIN PAAR<br>ROUES 5,00-10 AS POUR ELITE 7/8,<br>PAR PAIRE<br>WHEELS 5,00-10 AS FOR ELITE 7/8,<br>PER PAIR | 1.000 | PAA |
| 0040 | 10310172-0<br>RADSCHRAUBE<br>BOULON DE ROUE<br>WHEEL BOLT   | 8.000 | ST  |



## REFORM M9.1 L / M9.2 L

### 06.12.00 LISTE 15015451-0

| PPOS | NR/TEXT  | Q     | QC |
|------|--|-------|----|
| 0010 | 15015359-1<br>GITERRAEDER 5.00-10<br>ROUES A GRILLES POUR 5.00-10<br>CAGE WHEELS 5.00-10 | 1,000 | PA |
| 0020 | 15015356-1<br>MITNEHMER<br>ENTRAINEUR<br>FLANGE  | 2,000 | ST |
| 0030 | 10310172-0<br>RADSCHRAUBE<br>BOULON DE ROUE<br>WHEEL BOLT                                | 8,000 | ST |
| 0040 | 15018410-0<br>SICHERUNGSBLECH<br>TOLE D'ARRET<br>LOCKING PLATE                           | 2,000 | ST |
| 0050 | 92097299-0<br>SECHSKANTSCHRAUBE<br>VIS<br>SCREW  | 2,000 | ST |
| 0060 | 93212009-0<br>SCHEIBE<br>RONDELLE<br>WASHER  | 2,000 | ST |

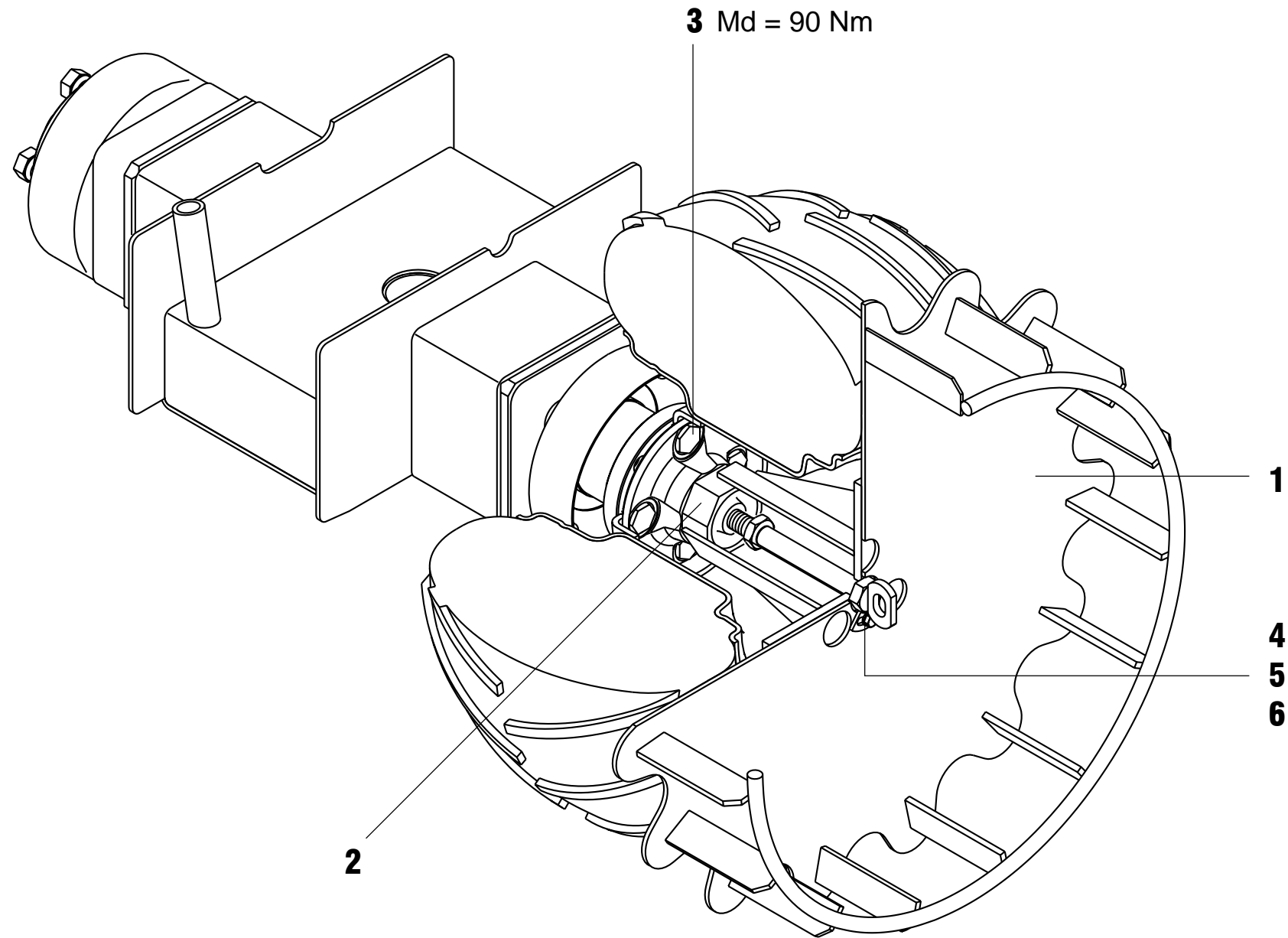
15015451-0

KAP. E

Giterräder 21x11.00-8

15015454-0

Cage wheels 21x11.00-8



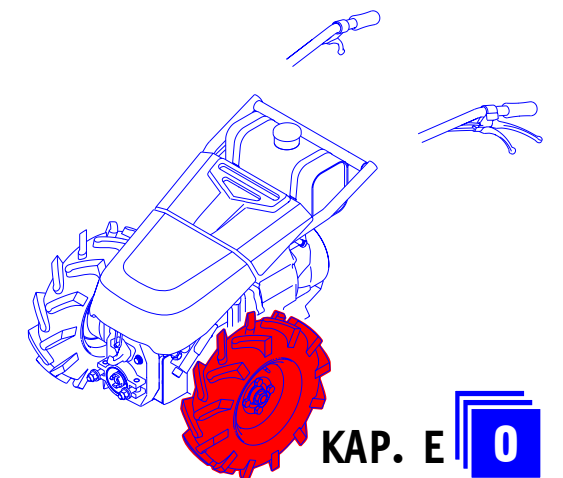
Roues à cage 21x11.00-8

Option



M9.1 L / M9.2 L

26.7.00



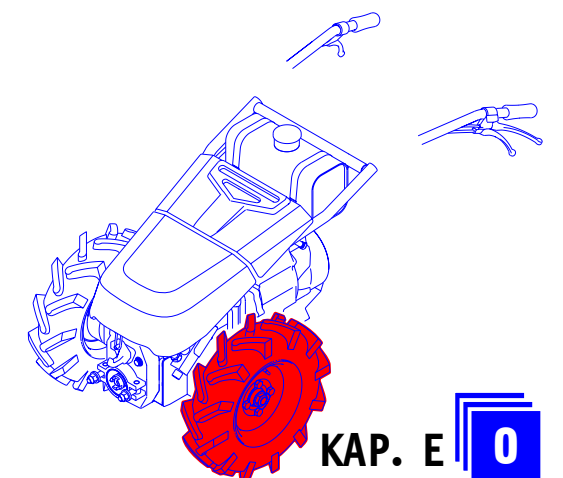
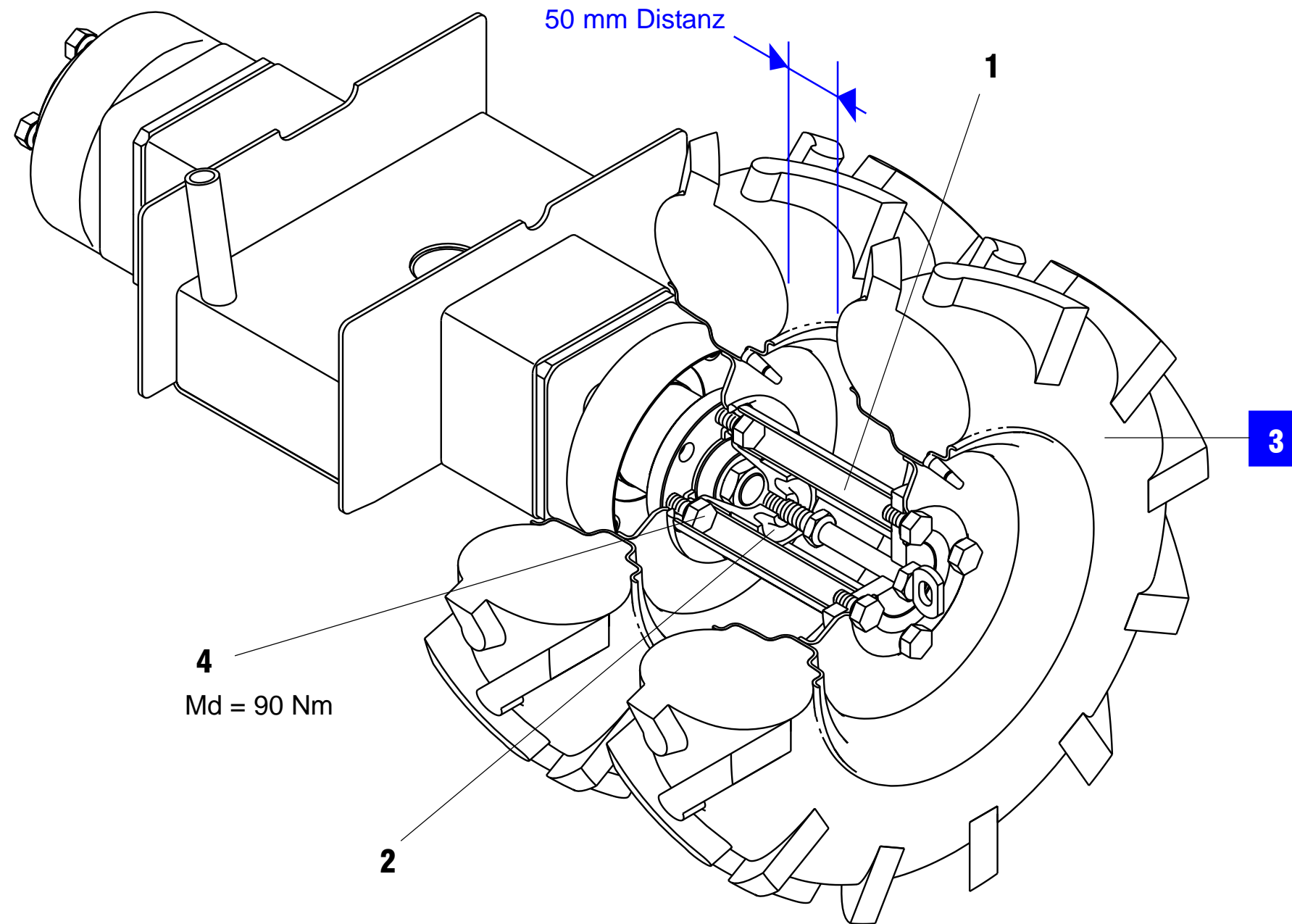
**REFORM M9.1 L / M9.2 L**

**06.12.00 LISTE 15015454-0**

| PPOS | NR/TEXT   | Q     | QC |
|------|---|-------|----|
| 0010 | 15015409-0<br>GITERRAD ZU PNEU 21X11.00-8 (P<br>CAGE WEEHLS 21 X 11.00-8<br>ADDITIONAL CAGE WHEEL FOR TYRE<br>21 X 11.00-8 (PER PAIR) | 1,000 | PA |
| 0020 | 15015356-1<br>MITNEHMER<br>ENTRAINEUR<br>FLANGE   | 2,000 | ST |
| 0030 | 10310172-0<br>RADSCHRAUBE<br>BOULON DE ROUE<br>WHEEL BOLT   | 8,000 | ST |
| 0040 | 15018410-0<br>SICHERUNGSBLECH<br>TOLE D'ARRET<br>LOCKING PLATE  | 2,000 | ST |
| 0050 | 92097299-0<br>SECHSKANTSCHRAUBE<br>VIS<br>SCREW   | 2,000 | ST |
| 0060 | 93212009-0<br>SCHEIBE<br>RONDELLE<br>WASHER   | 2,000 | ST |

15015454-0

KAP. E



**REFORM M9.1 L / M9.2 L**

**06.12.00 LISTE 15019201-0**

| PPOS | NR/TEXT  | Q     | QC |
|------|--|-------|----|
| 0010 | 15019202-0<br>SPURVERBREITERUNGSFLANSCH 50 MM<br>FLASQUE<br>FLANGE   | 2,000 | ST |
| 0020 | 15015356-1<br>MITNEHMER<br>ENTRAINEUR<br>FLANGE  | 2,000 | ST |
| 0030 | 15015355-0<br>BEREIFUNG 5,00-10 AS ZU ELITE 7<br>EIN PAAR<br>ROUES 5,00-10 AS POUR ELITE 7/8<br>PAR PAIRE<br>WHEELS 5,00-10 AS FOR ELITE 7/8<br>PER PAIR | 1,000 | PA |
| 0040 | 10310172-0<br>RADSCHRAUBE<br>BOULON DE ROUE<br>WHEEL BOLT  | 8,000 | ST |

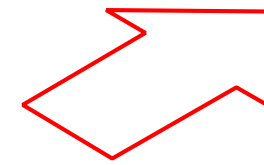
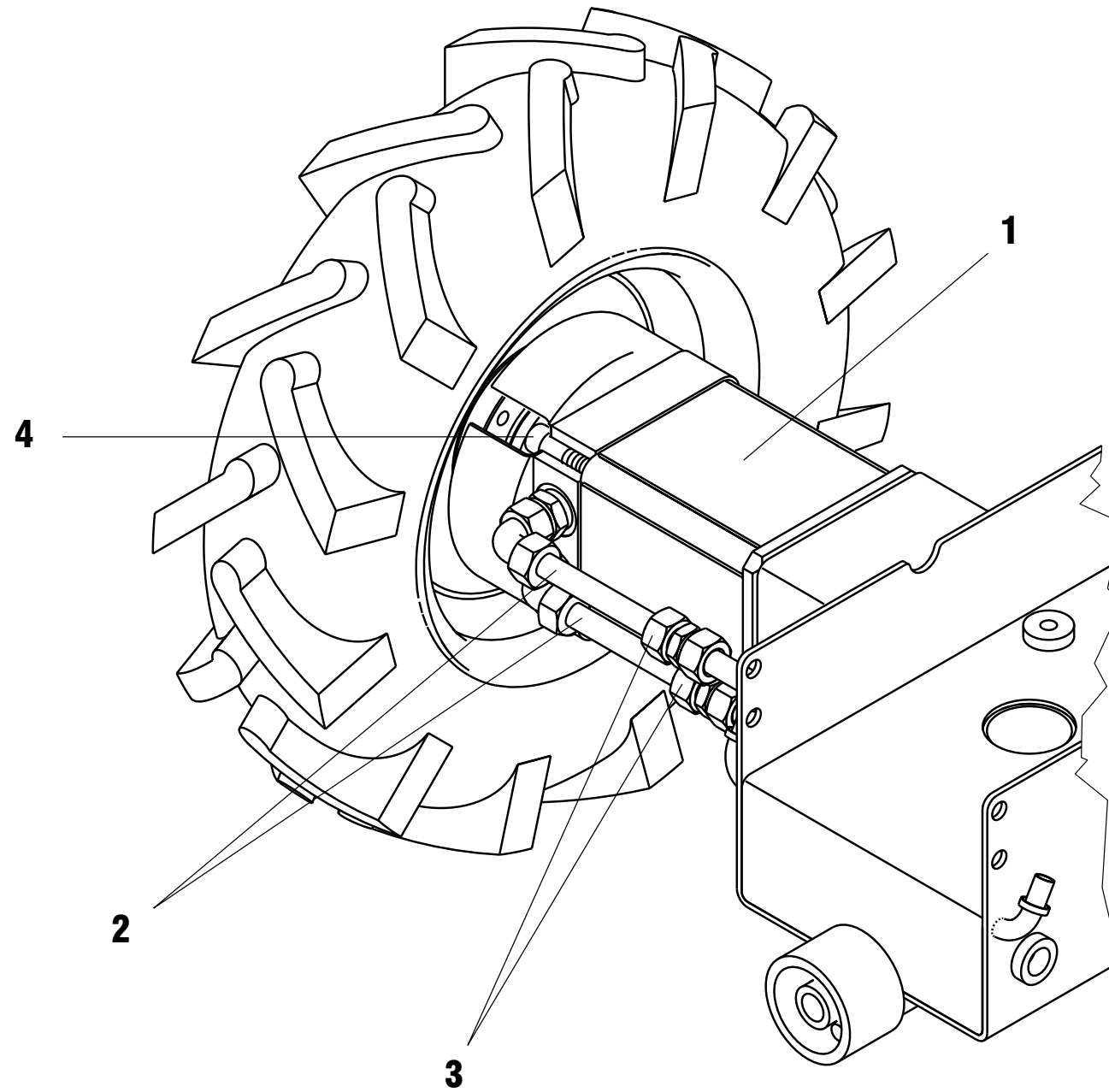
1501519201-0

KAP. E

Breitspursatz

15019379-0

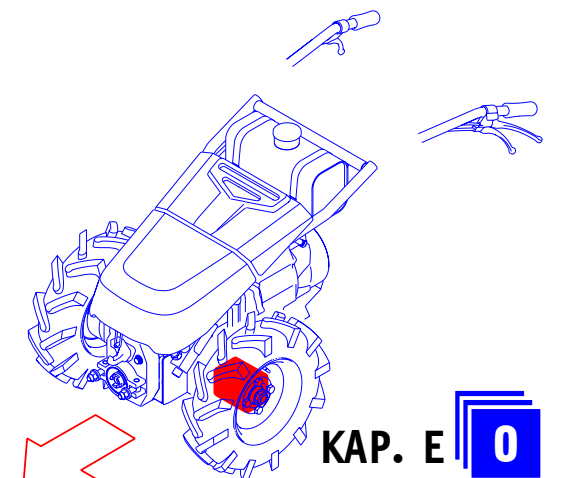
Wide track kit



Jeu de modification voie large

Option  
  
27.7.00

M9.1 L / M9.2 L



KAP. E 0



**REFORM M9.1 L / M9.2 L**

**06.12.00 LISTE 15019379-0**

| PPOS | NR/TEXT  | Q     | QC |
|------|--|-------|----|
| 0010 | 15019382-0<br>ACHSFLANSCH<br>FLASQUE<br>FLANGE       | 2,000 | ST |
| 0020 | 15019383-0<br>HYDROLEITUNG<br>CONDUITE<br>PIPE       | 4,000 | ST |
| 0030 | 09570387-0<br>VERSCHRAUBUNG<br>RACCORD<br>ADAPTER    | 4,000 | ST |
| 0040 | 92136217-0<br>INNENSECHSKANTSCHRAUBE<br>VIS<br>SCREW | 8,000 | ST |

1501519379-0

KAP. E



**REFORM *M9.1 L***

**F**

**Verdeck  
Beschilderung**

**Capot  
Plaques**

**Hood  
Labels**

**15019434-0**

**Verdeck**

**Capot**

**Hood**

**15019569-0**

**Beschilderung**

**Plaques**

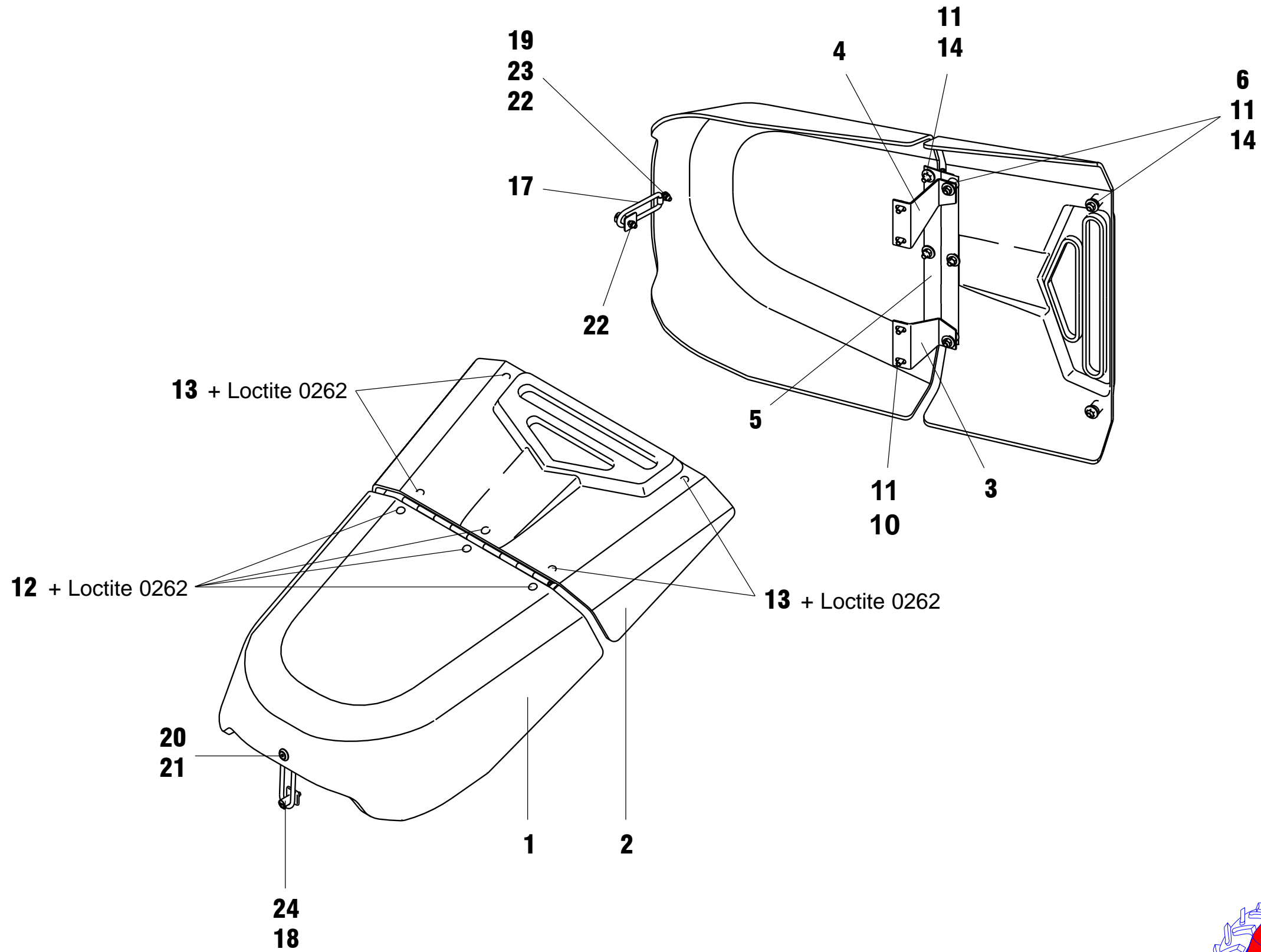
**Labels**

**F**

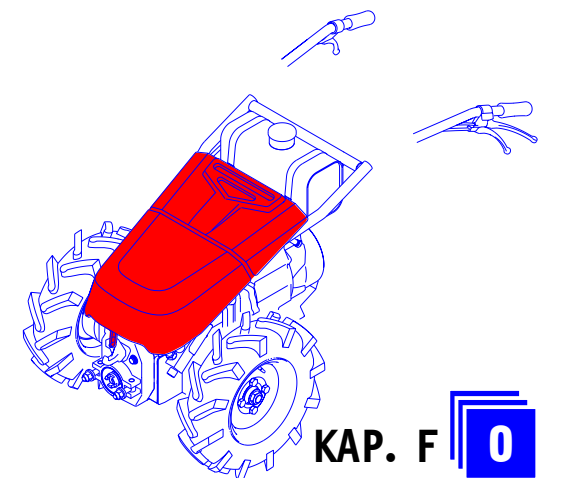
Verdeck

15019434-0

Hood



Capot



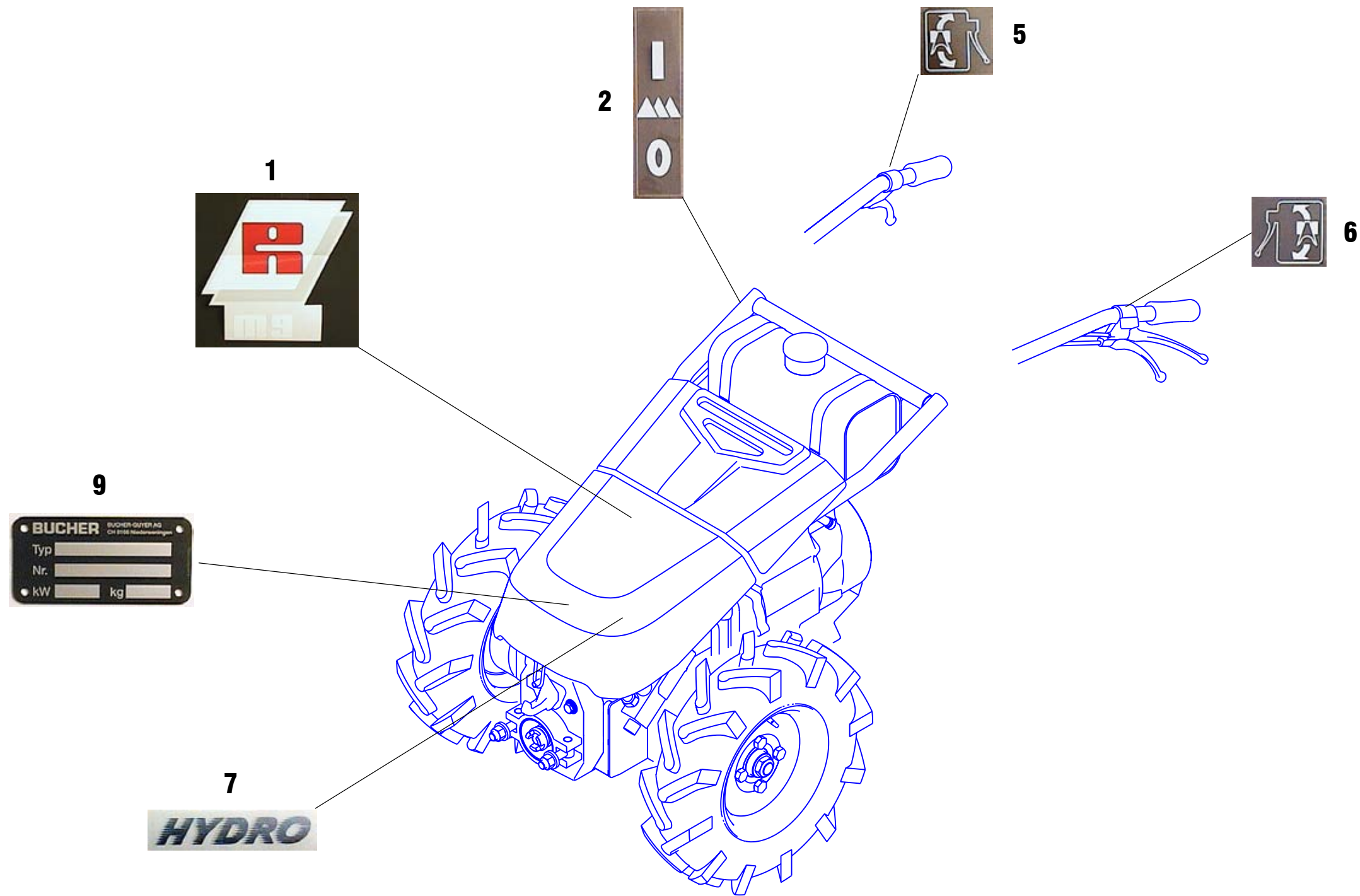
## REFORM M9.1 L

### 06.12.00 LISTE 15019434-0

| PPOS | NR/TEXT  | Q      | QC |
|------|--|--------|----|
| 0010 | 15019637-0<br>HAUBE<br>CAPOT<br>CROWN ROOF                               | 1,000  | ST |
| 0020 | 15019638-0<br>HOLMVERDECK<br>CAPOT<br>HOOD                               | 1,000  | ST |
| 0030 | 15019651-0<br>HALTER RECHTS<br>CONSOLE<br>RETAINER                       | 1,000  | ST |
| 0040 | 15019652-0<br>HALTER LINKS<br>CONSOLE<br>RETAINER                        | 1,000  | ST |
| 0050 | 15019650-0<br>SCHARNIER<br>CHARNIERE<br>HINGE                            | 1,000  | ST |
| 0060 | 15019653-0<br>DISTANZROHR<br>TUBE DE DISTANCE<br>SPACER                  | 4,000  | ST |
| 0100 | 92097297-0<br>SECHSKANTSCHRAUBE<br>VIS A TETE HEXAGONALE<br>HEX SCREW    | 4,000  | ST |
| 0110 | 93300507-0<br>SCHEIBE<br>RONDELLE<br>WASHER                              | 12,000 | ST |
| 0120 | 92555528-0<br>FLACHRUNDSCHR. MIT MUTTER<br>BOULON A TETE BOMBEE<br>SCREW | 4,000  | ST |
| 0130 | 92555530-0<br>SCHRAUBE<br>VIS<br>SCREW                                   | 4,000  | ST |
| 0140 | 93056012-0<br>SECHSKANTMUTTER<br>ECROU HEXAGONAL<br>HEX NUT              | 8,000  | ST |
| 0170 | 09504258-0<br>O-RING<br>JOINT TORIQUE<br>O RING                          | 1,000  | ST |
| 0180 | 09532543-0<br>SCHLIESSZAPFEN<br>FERMETURE<br>CLOSURE                     | 1,000  | ST |
| 0190 | 09549135-0<br>ROHRSCHELLE<br>COLLIER<br>COLLAR                           | 1,000  | ST |
| 0200 | 92153034-0<br>SENKSCHEIBE<br>VIS<br>SCREW                                | 1,000  | ST |
| 0210 | 93285506-0<br>SCHEIBE<br>RONDELLE<br>WASHER                              | 1,000  | ST |
| 0220 | 93085003-0<br>SICHERUNGSMUTTER<br>CONTRE-ECROU<br>LOCK NUT               | 2,000  | ST |
| 0230 | 93210516-0<br>SCHEIBE<br>RONDELLE<br>WASHER                              | 1,000  | ST |
| 0240 | 92296235-0<br>FLACHKOPFSCHRAUBE<br>VIS<br>SCREW                          | 1,000  | ST |

1501519434-0

KAP. E



## REFORM M9.1 L / M9.2 L

### 07.08.00 LISTE 15019569-0

| PPOS | NR/TEXT   | Q     | QC |
|------|---|-------|----|
| 0010 | 15019568-0  | 1,000 |    |
| ST   | TYPENBEZEICHNUNG M9 L                                   |       |    |
| 0020 | 15018525-0  | 1,000 |    |
| ST   | KLEBER ZAPFWELLENANTRIEB<br>PLAQUETTE<br>ADHESIVE PLATE |       |    |
| 0050 | 15017784-0  | 1,000 |    |
| ST   | KLEBESCHILD<br>KLEBER LENKUNG RECHTS 27X                |       |    |
| 0060 | 15017783-0  | 1,000 |    |
| ST   | KLEBESCHILD<br>AUTOCOLLANT<br>LABEL                     |       |    |
| 0070 | 15019085-0  | 1,000 |    |
| ST   | KLEBER HYDRO<br>PLAQUETTE<br>ADHESIVE PLATE             |       |    |
| 0090 | 15002964-0  | 1,000 |    |
| ST   | TYPENSCHILD<br>SHIELD<br>TYPENSCHILD 74X37 ALU DIN      |       |    |

1501519569-0





**BUCHER *Elite 9.1***

**S**

**Serviceteile**

**Pièce de service**

**Service Parts**

**15019794**

**Serviceteile**

**Pièce de service**

**Service Parts**

**S**

Service Teile

15019794-0

Service Parts

2

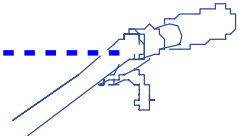
09584802-0



1



1

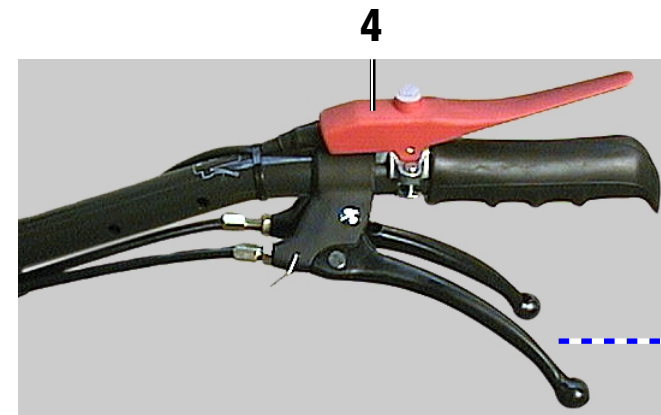


3

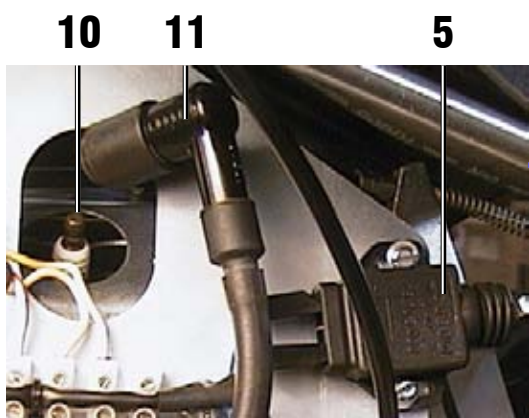
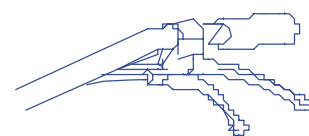
09584803-0



1



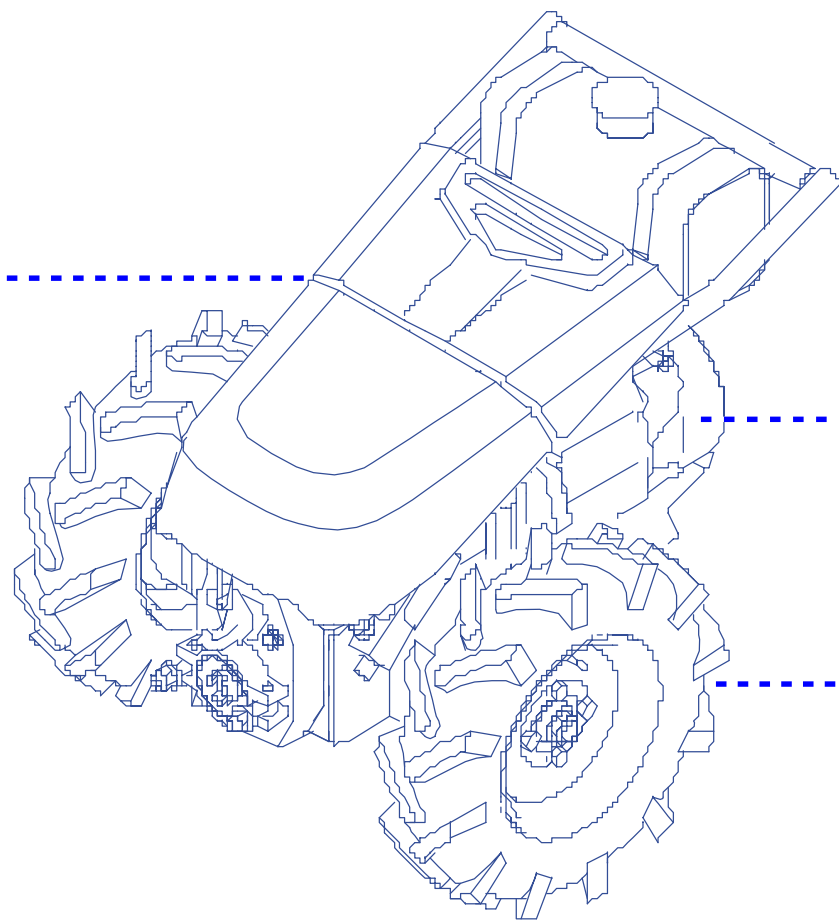
4



10

11

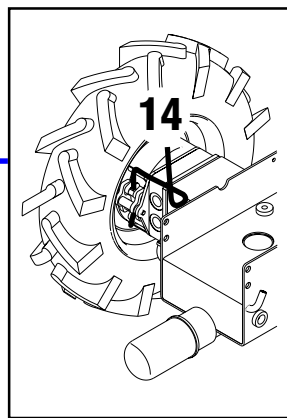
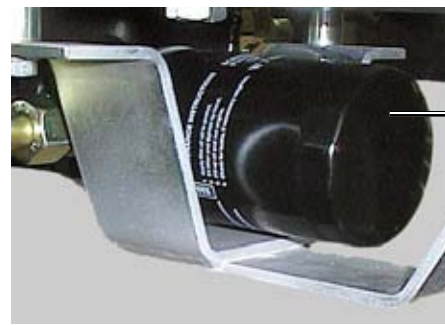
5



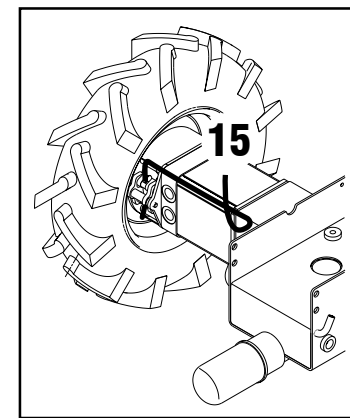
12



13



14



15

Pièces de service



M9.1 L

14.6.00

KAP. S 0

## REFORM M9.1 L

### 06.12.00 LISTE 15019794-0

| PPOS | NR/TEXT  | Q     | QC |
|------|--|-------|----|
| 0010 | 09530131-0<br>HANDGASHEBEL<br>LEVIER DES GAZ<br>THROTTLE HAND LEVER          | 1,000 | ST |
| 0020 | 09584802-0<br>BETAETIGUNGSHEBEL KPL.<br>LEVIER CPL.<br>LEVER CPL.            | 1,000 | ST |
| 0030 | 09584803-0<br>BETAETIGUNGSHEBEL KPL. 2-FACH<br>LEVIER CPL.<br>LEVER CPL.     | 1,000 | ST |
| 0040 | 09584721-0<br>TOTMANNGRIFFSCHALTER<br>INTERRUPTEUR<br>SWITCH                 | 1,000 | ST |
| 0050 | 09304522-0<br>STOPSCHALTER<br>INTERRUTEUR<br>SWITCH                          | 1,000 | ST |
| 0100 | E1264767710<br>ZUENDKERZE<br>BOUGIE<br>SPARK PLUG                            | 1,000 | ST |
| 0110 | E1280767720<br>KERZENSTECKER<br>CAPUCHON DE BOUGIE<br>CAP, SPARK PLUG        | 1,000 | ST |
| 0120 | E1245111080<br>FILTEREINSATZ KPL.<br>FILTRE A AIR COMPL.<br>AIR CLEANER CPL. | 1,000 | ST |
| 0130 | 09552092-0<br>FILTERPATRONE<br>FILTRE<br>FILTER                              | 1,000 | ST |

|      |   |       |    |
|------|---|-------|----|
| 0140 | 15019333-0<br>SCHALTKABEL<br>CABLE DE COMMANDE<br>COMMANDER CABLE | 1,000 | ST |
| 0150 | 15019412-0<br>SCHALTKABEL<br>CABLE DE COMMANDE<br>COMMANDER CABLE | 1,000 | ST |

### 6.12.00 Liste 09584802-0

| PPOS | NR/TEXT   | Q     | QC |
|------|---|-------|----|
| 0010 | 17904954-0<br>BETATIGUNGSHEBEL<br>LEVIER<br>LEVER | 1,000 | ST |

### 6.12.00 Liste 09584803-0

| PPOS | NR/TEXT   | Q     | QC |
|------|---|-------|----|
| 0010 | 17904954-0<br>BETATIGUNGSHEBEL<br>LEVIER<br>LEVER | 2,000 | ST |

15019794-0

# Serviceteile

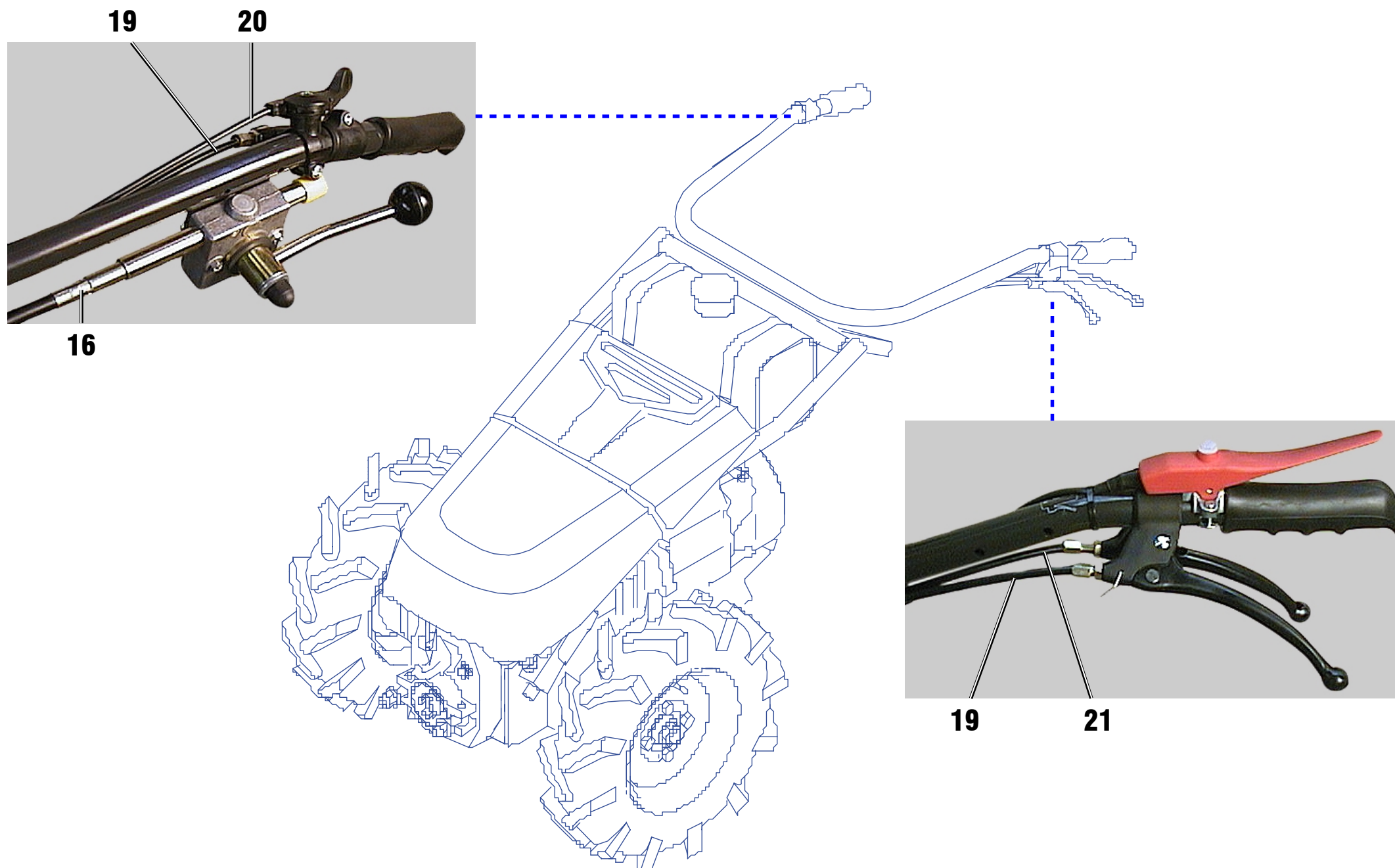
Holm höhenverstellbar



15019794-0

# Service Parts

Handlebars height adjustable



Mancheron réglable en hauteur

# Pièces de service



**M9.1 L**

14.6.00

KAP. S **0**

# REFORM M9.1 L

## 06.12.00 LISTE 15019794-0

| PPOS | NR/TEXT   | Q     | QC |
|------|---|-------|----|
| 0160 | 15019448-0<br>SCHALTKABEL FAHRBETATIGUNG<br>CABLE DECOMMANDE<br>COMMANDER CABLE | 1,000 | ST |
| 0190 | 15019620-0<br>SCHALTKABEL<br>CABLE DE COMMANDE<br>COMMANDER CABLE               | 2,000 | ST |
| 0200 | 15019621-0<br>SCHALTKABEL<br>CABLE DE COMMANDE<br>COMMANDER CABLE               | 1,000 | ST |
| 0210 | 15019619-0<br>KUPPLUNGSKABEL<br>CABLE DE COMMANDE<br>COMMANDER CABLE            | 1,000 | ST |

15019794-0

2/3

KAP. S

# Serviceteile

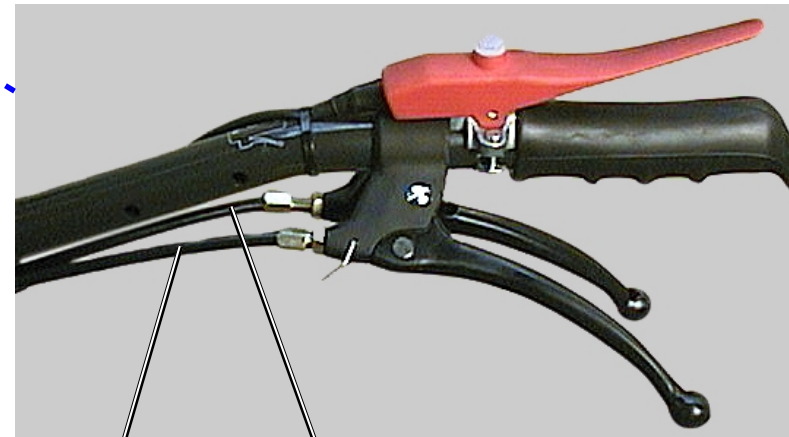
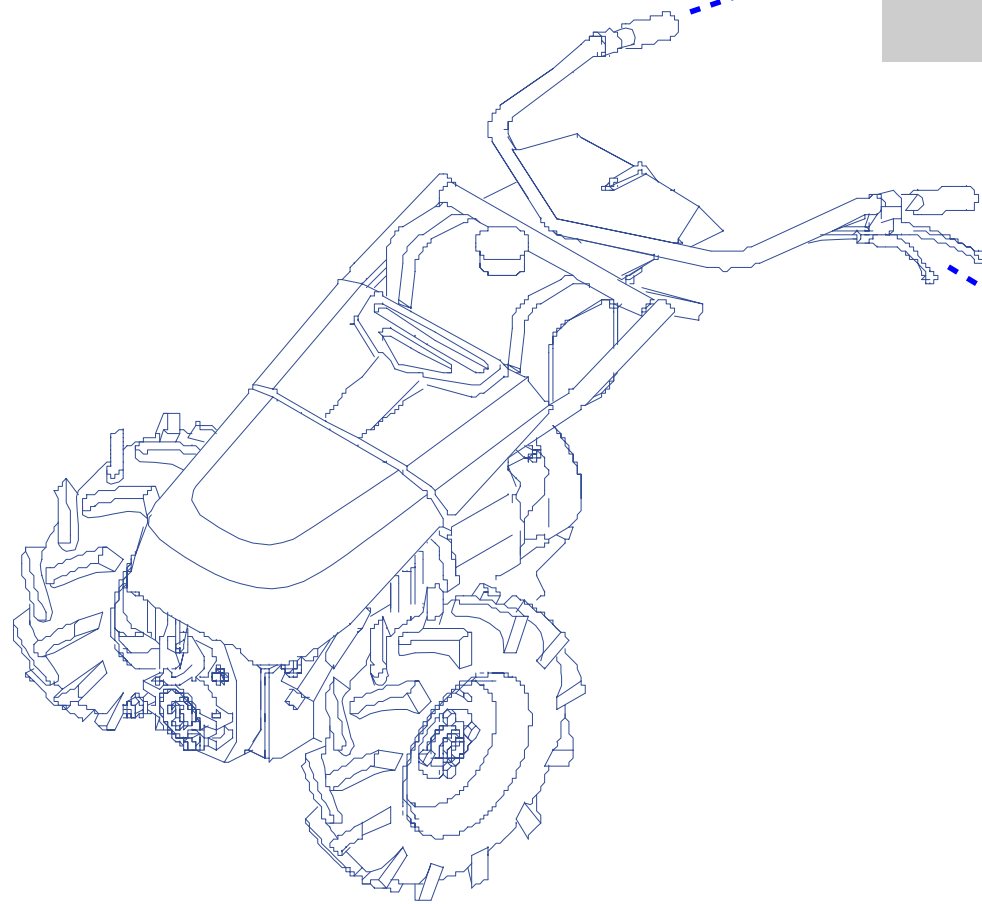
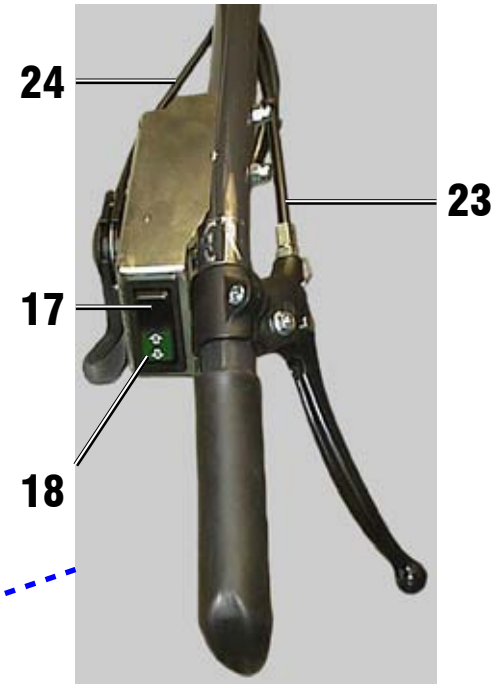
Holm höhen- und seitenverstellbar



15019794-0

# Service Parts

Handlebars height- and side adjustable



23 22

Mancheron réglable en hauteur et latéralement

# Pièces de service



M9.1 L

14.6.00

KAP. S **0**

# REFORM M9.1 L

## 06.12.00 LISTE 15019794-0

| PPOS | NR/TEXT   | Q     | QC |
|------|---|-------|----|
| 0170 | 09301132-3<br>KIPPSCHALTER<br>INTERRUPTEUR<br>SWITCH              | 1,000 | ST |
| 0180 | 09301787-0<br>SYMBOLLINSE<br>SYMBOLE<br>INSERT                    | 1,000 | ST |
| 0220 | 15019622-0<br>SCHALTKABEL<br>CABLE DE COMMANDE<br>COMMANDER CABLE | 1,000 | ST |
| 0230 | 15019623-0<br>SCHALTKABEL<br>CABLE DE COMMANDE<br>COMMANDER CABLE | 2,000 | ST |
| 0240 | 15019624-0<br>SCHALTKABEL<br>CABLE DE COMMANDE<br>COMMANDER CABLE | 1,000 | ST |

15019794-0

3/3

KAP. S





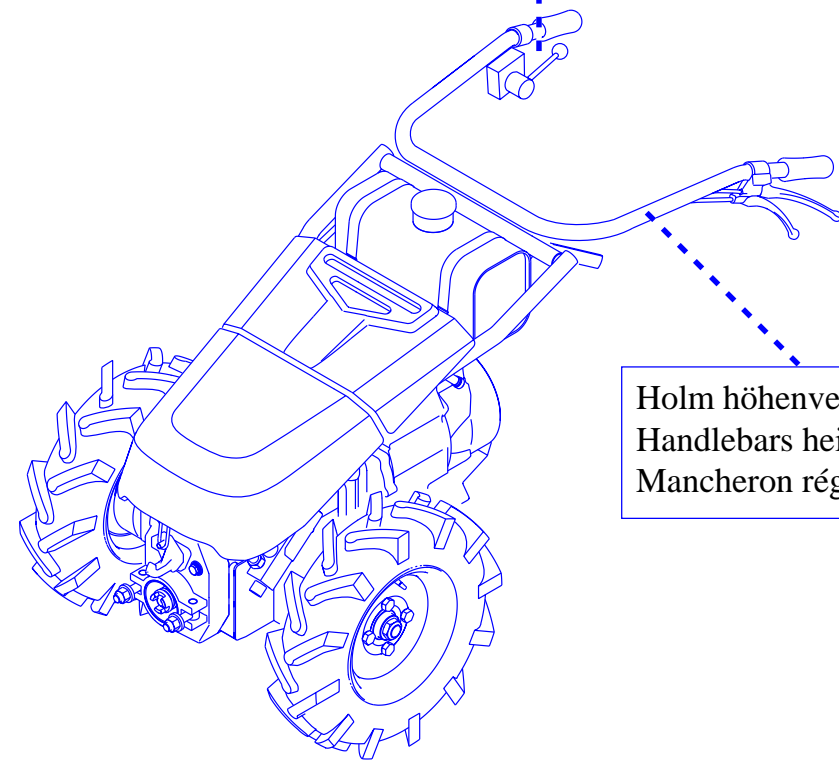
# Varianten

# Variants

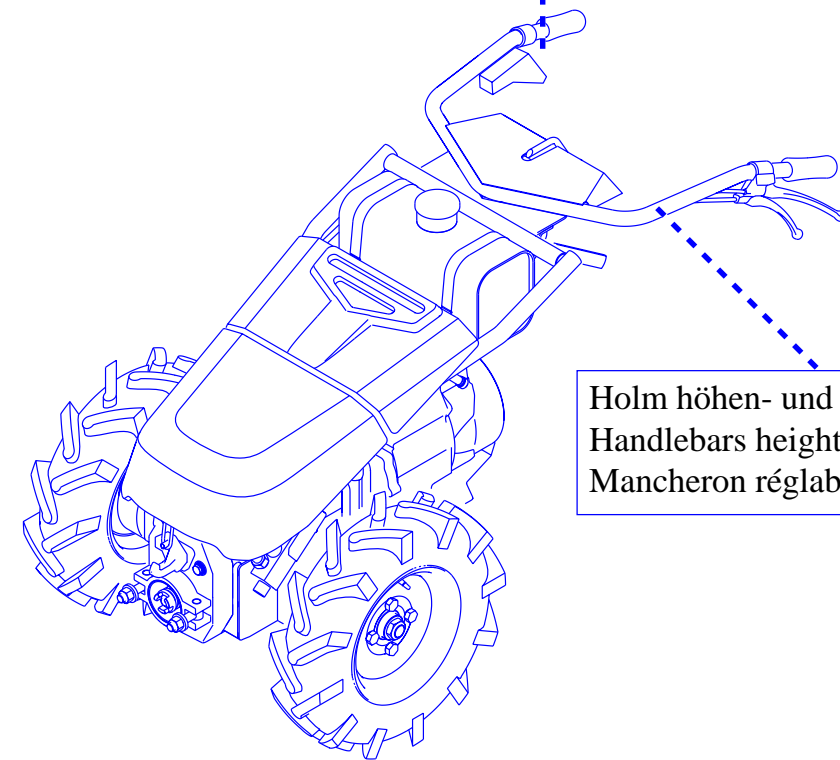


Mechanische Pumpenverstellung  
Mechanical pump regulation  
Réglage mécanique de la pompe

Hydraulische Pumpenverstellung  
Hydraulic pump regulation  
Réglage hydraulique de la pompe



Holm höhenverstellbar  
Handlebars height adjustable  
Mancheron réglable en hauteur



Holm höhen- und seitenverstellbar  
Handlebars height- and side adjustable  
Mancheron réglable en hauteur et latéralement

# Variantes

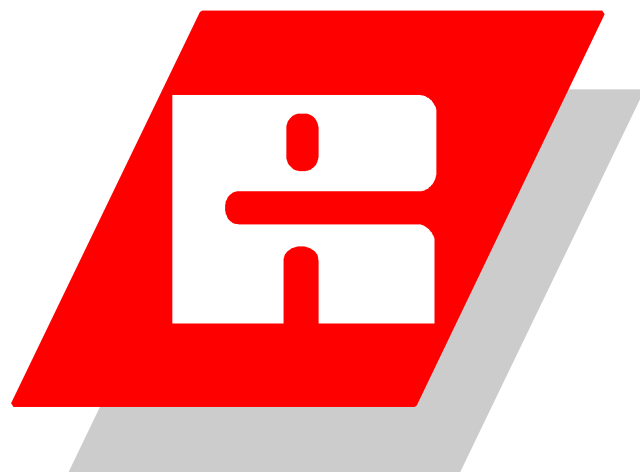


**M9.1 L / M9.2 L**

25.8.00







***M9.1 L***

**REFORM - WERKE**

**Bauer & Co. Gesellschaft m.b.H.**

**Haidestrasse 40, Postfach 192**

**A-4600 Wels**

**Telefon: +43 7242 232-0    Telefax: +43 7242 232-4**

**<http://www.reform-werke.at>**

**e-mail: [info@reform-werke.at](mailto:info@reform-werke.at)**