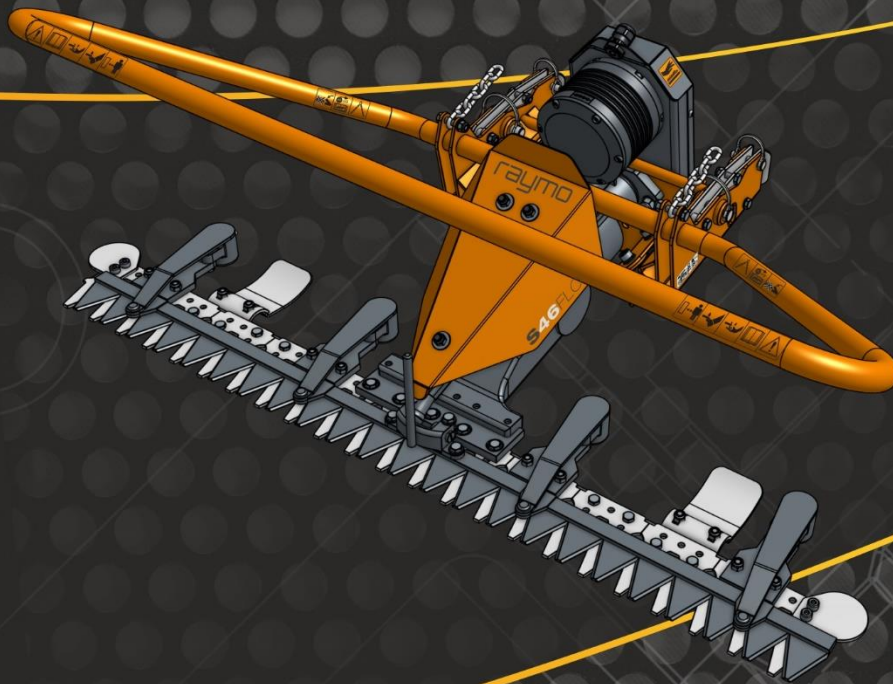




# S46FLORIS

## PARTS MANUAL



DOCUMENT	Parts Manual
VALID FOR	S46FLORIS cutting bar
VALID FOR S/N	00001 -
DOCUMENT NO.	PM-RAY-D-S46-EN Ver. 2.0

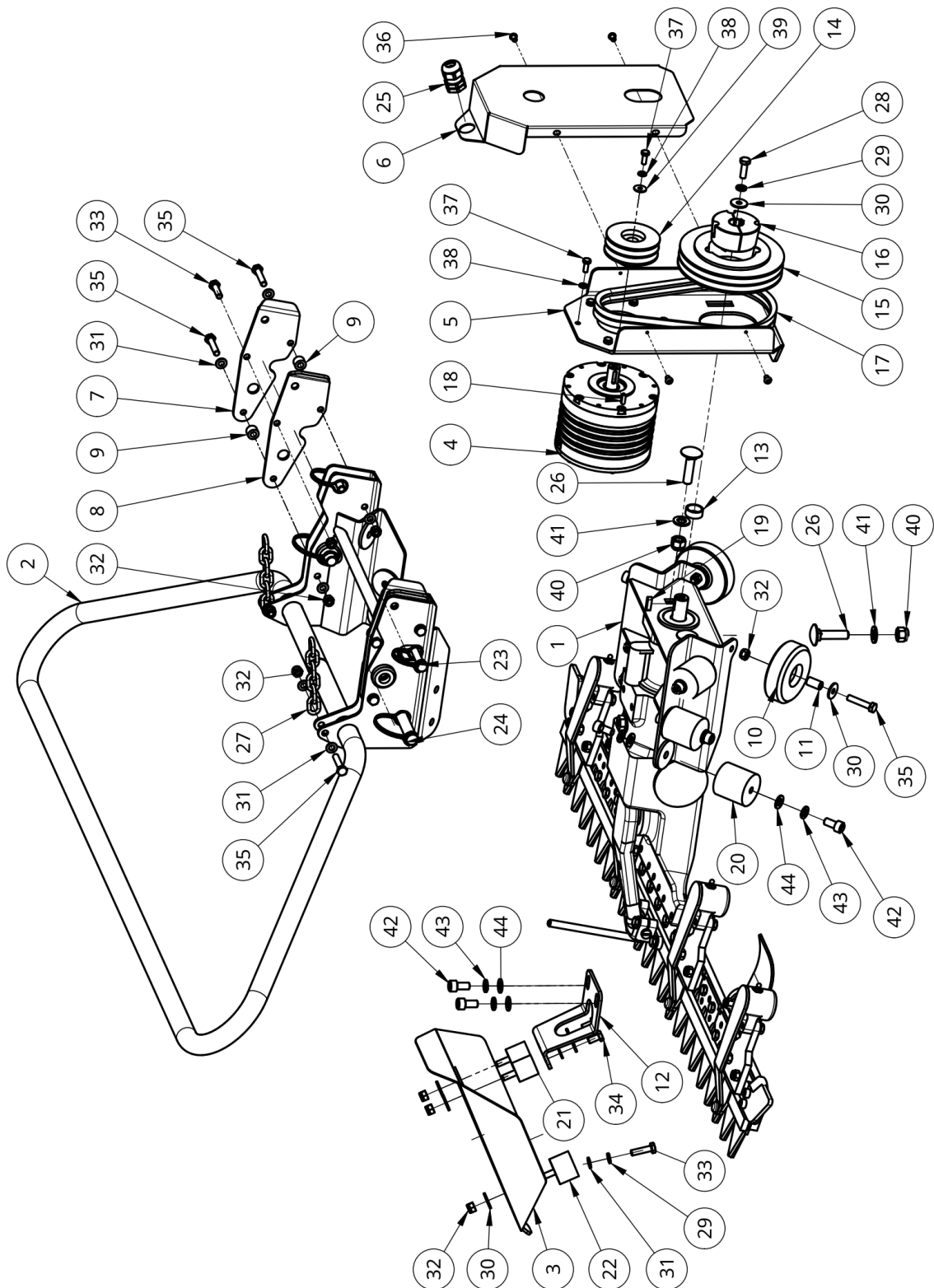
For Safety, Read All Safety and Operation Instructions Prior to Operating the Machine

## Contents

1	S46FLORIS CHASIS.....	3
2	S46 ACCESSORIES.....	5
3	S46 BOX SC.....	7
4	LVB SINGLE ACTION .....	9
5	LVB SINGLE GEARBOX.....	11
6	LVB DUAL ACTION.....	13
7	LVB DUAL GEARBOX .....	17



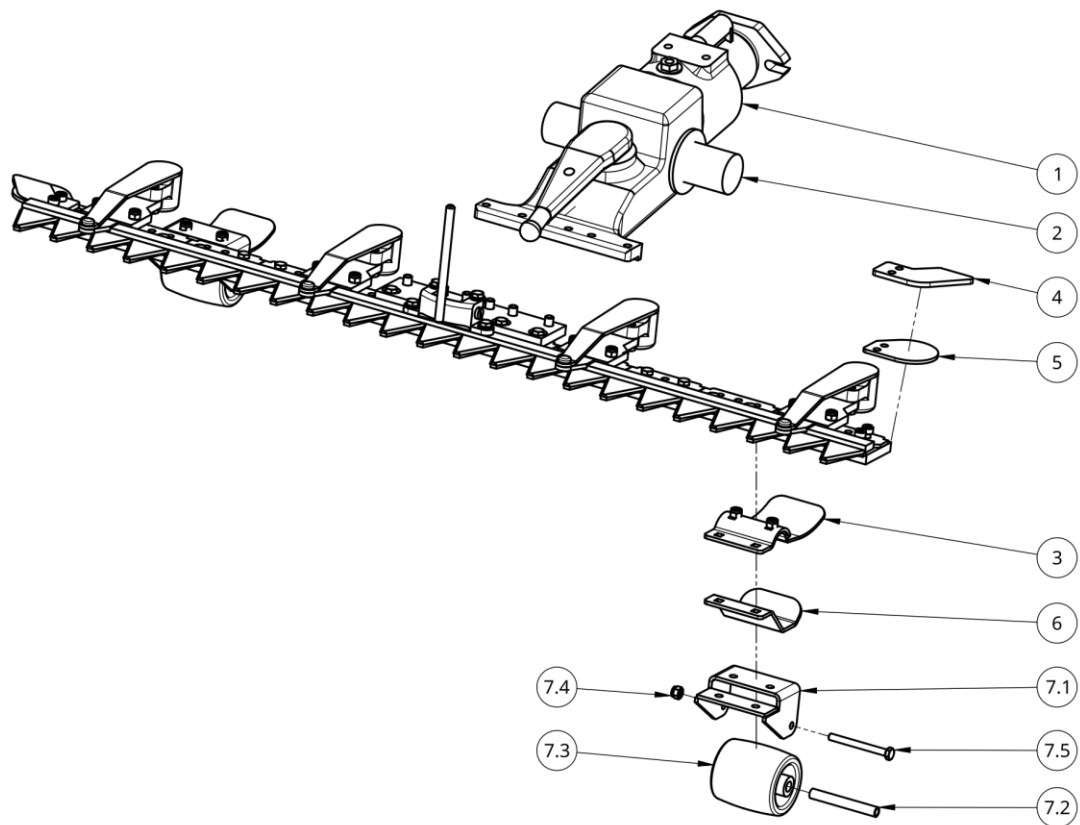
# 1 S46FLORIS CHASIS



Item No.	Part number	Description	Quantity
1	B251000	BAR LVB FRAME	1
2	B252000	BAR ARM FRAME	1
3	B253000	BAR SHIELD	1
4	B800000	ATTACHMENT MOTOR 1000W	1
5	B250010	BAR MOTOR BRACKET	1
6	B250020	BAR BELT COVER	1
7	B250030L	BAR ARM WASHER	2
8	B250030R	BAR ARM WASHER MIR	2
9	B250040	BAR DIST WASHER	4
10	B250050	BAR WHEEL	2
11	B070030	WHEEL SPACING TUBE	2
12	B250060	BAR SHIELD BRACKET	1
13	B040040	ARM RING	1
14	B250080	BAR DRIVE PULLEY	1
15	G0800	PULLEY 1502	1
16	G0810	TAPERLOCK	1
17	G0820	BAR BELT	2
18	F4005	KEY 5x5x16	1
19	F4004	KEY 6x6x22	1
20	F5008	SILENT BLOCK	6
21	F5010	SILENT BLOCK	2
22	F5011	SILENT BLOCK	1
23	G0130	LOCK PIN 10/55	2
24	G0110	LOCK PIN 16/55	2
25	E3101	CABLE GLAND	1
26	F0607	CARRIAGE BOLT	3
27	B230070	DECK SPRING CHAIN	2
28	F0206	HEX BOLT	1
29	F3102	SPRING WASHER	4
30	F3202	LARGE WASHER	6
31	F0205	WASHER	15
32	F2002	LOCK NUT	13
33	F0205	HEX BOLT	3
34	F0207	HEX BOLT	2
35	F0203	HEX BOLT	8
36	F0507	BUTTON SCREW	4
37	F0210	HEX BOLT	7
38	F3103	SPRING WASHER	7
39	F3203	LARGE WASHER	1
40	F2006	LOCK NUT	3
41	F3009	WASHER	3
42	F0313	SOCKET SCREW	14
43	F3101	SPRING WASHER	14
44	F3003	WASHER	14



## 2 S46 ACCESSORIES

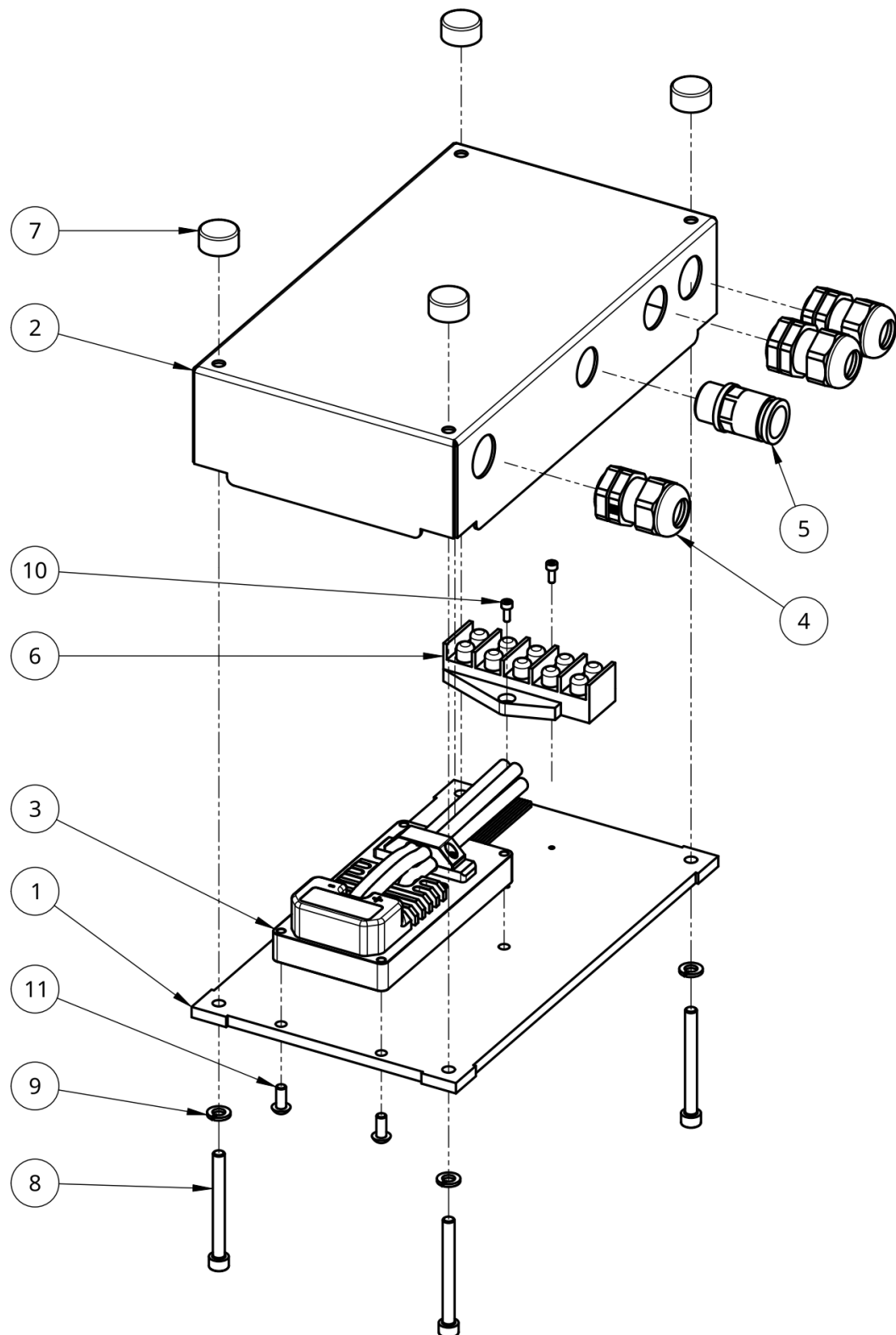


Item No.	Part number	Description	Quantity
1	630084	LVB GEARBOX SINGLE	1
2	640083	LVB GEARBOX DUAL	1
3	624048	CPT. ADJUSTABLE SOLE	2
4	624058	SIDE PROTECTION	2
5	B250100	BAR SIDE SKID	2
6	B250090	BAR SKID 50	2
7	B254000	BAR SKID WHEEL ASM	2
7.1	B254100	BAR SKID WHEEL BRACKET	2
7.2	B254001	BAR SKID SHAFT	2
7.3	G0050	WHEEL 80/85	2
7.4	F2002	LOCK NUT	2
7.5	F0108	HEX BOLT	2





### 3 S46 BOX SC

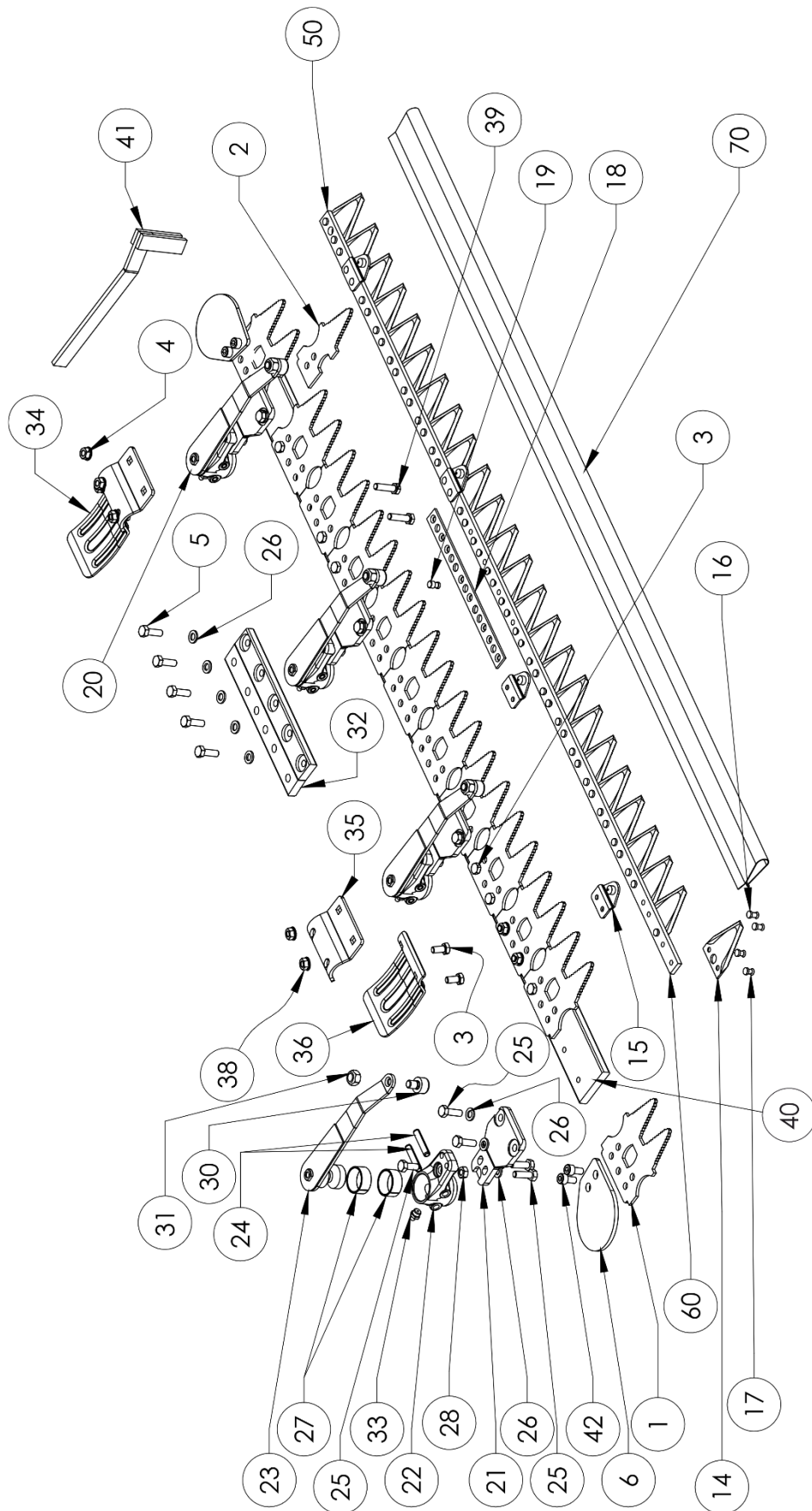


Item No.	Part number	Description	Quantity
1	B050011	BOX AL SC	1
2	B050021	BOX COVER SC	1
3	E2000	RAYMO SC	1
4	E3101	CABLE GLAND PG16	3
5	E3131	CABLE GLAND HG16	1
6	E3230	TERMINAL 5x10	1
7	F5006	SILENT BLOCK	4
8	F0304	SOCKET SCREW	4
9	F3103	SPRING WASHER	4
10	F0310	SOCKET SCREW	2
11	F0524	BUTTON SCREW	4





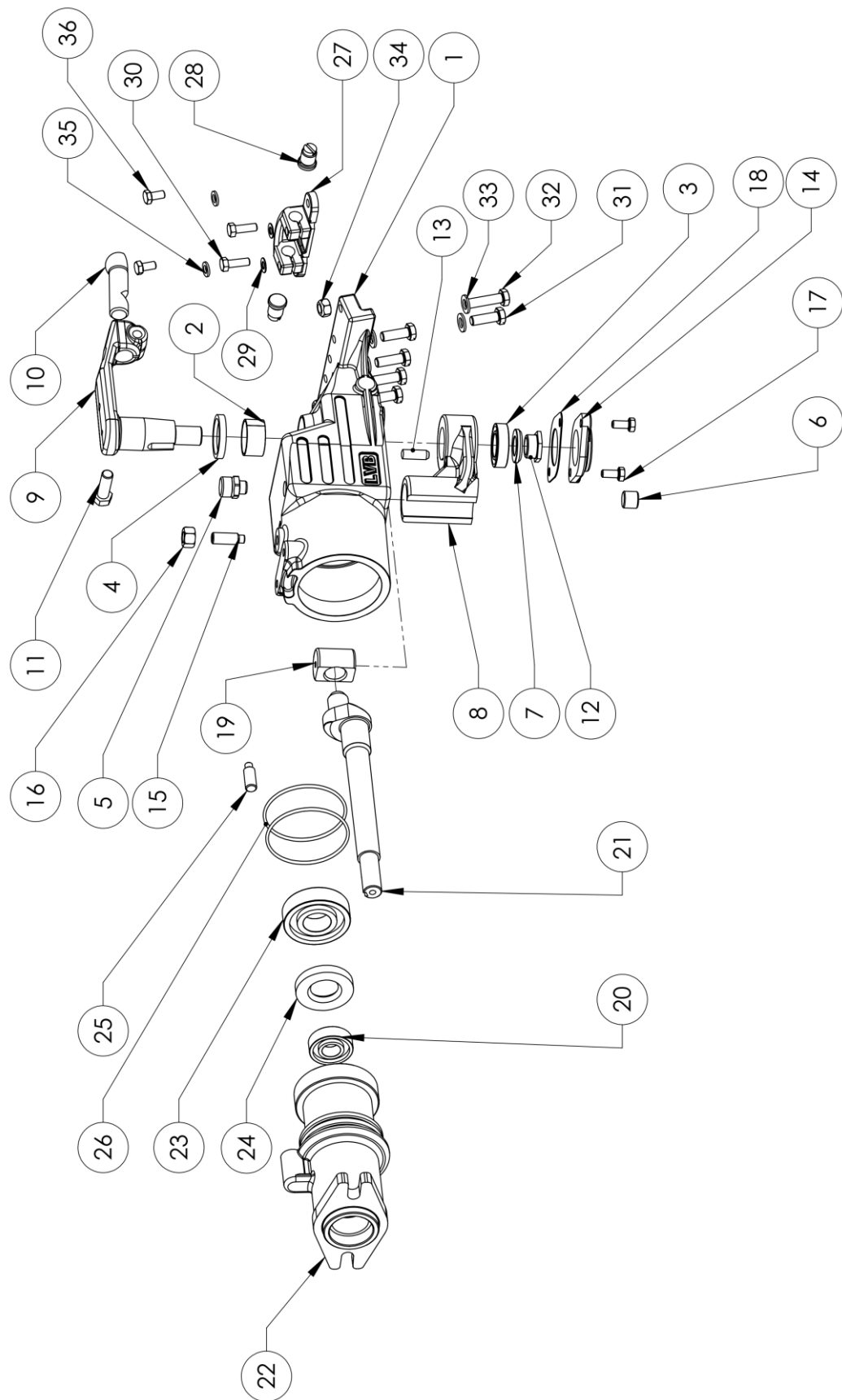
### 4 LVB SINGLE ACTION



Item No.	Part number	Description	Quantity
1	623115	FINGER PLATE	12
2	623118	SINGLE FINGER PLATE G3	1
3	7000816	HEX SCREW M8x16	6
4	7060008	HEX NUT M8	4
5	7000825	HEX CAP SCREW M8x25	5
6	B250100	BAR SIDE SKID	2
14	310067	SECTION 6,2	23
15	621179	PLATE WITH PIN K	4
16	628068	RIVET TGS 6x18	8
17	628065	RIVET TGS 6x15	32
18	625217	REINFORCEMENT	1
19	625049	PIN	1
20	621277	CPT. SWINGING ARM+SUPPORT K-SINGLE	4
21	621276	SUPPORT PLATE K	10
22	621175	SPRING SUPPORT	1
23	621157	SWINGING ARM DUAL K5	1
24	625222	TENSION PIN 8x40	2
25	70000825	HEX CAP SCREW M8x25	5
26	7092901	WASHER CONTACT 8	9
27	621173	BUSHING 30x15	2
28	7310002	NUT CONE LOCK M8	1
30	621194	KNIFE GUIDE K5	1
31	7310001	LOCK NUT M10	1
32	6273010	CONNECTION PLATE	1
33	500007	GREASE NIPPEL M10	
34	624048	CPT. ADJUSTABLE SOLE	2
35	621136	SOLE SUPPORT G3	2
36	621172	SOLE	2
38	7060008	HEX NUT M8	4
39	7000830	HEX CAP SCREW M8x30	4
41	621221	HANDLE	1
42	7150820	SOCKET SCREW 8x20	4
40	626410	BAR BACK	1
50	412382	CPT. KNIFE	1
60	3423125	KNIFE BACK	1
70	625061	KNIFE PROTECTION	1



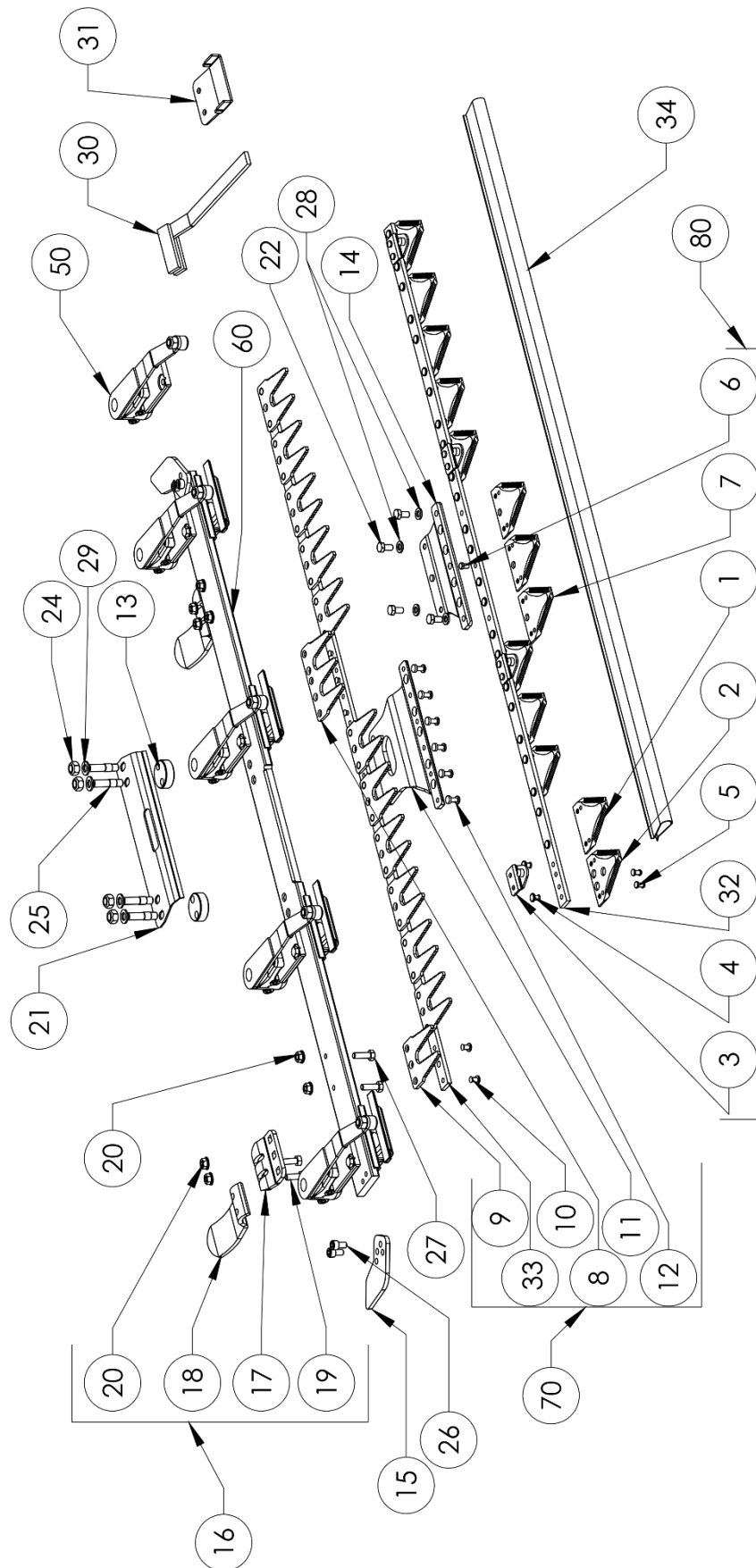
## 5 LVB SINGLE GEARBOX



Item No.	Part number	Description	Quantity
1	631003	MAIN SUPPORT UNO-PROFI	1
2	631006	35x20 WEELAND BUSHING	1
3	591001	BALL BEARING 6005	1
4	592001	SEAL RING AS 35-47-7	1
5	631031	BREATHER PLUG	1
6	631015	SCREW PLUG M18x1,5	1
7	631014	SPACER RING	1
8	631008	INTERNAL ARM	1
9	631018	ARM OF BLADE CONTROL	1
10	634009	SPHERICAL HEADED PIN	1
11	7001235	HEXAGONAL CAP SCREW M12x35	1
12	631004	SPECIAL NUT M20x1,5	1
13	623018	CYLINDRICAL PIN	1
14	631005	COVER	1
15	7141235	BOLT WITHOUT HEAD M12x35	1
16	7030012	NUT M12	1
17	7000818	SCREW M8x18	2
18	593001	COVER GASKET	1
19	631007	SLIDING BLOCK	1
20	591006	BALL BEARING 6204 2RS	1
21	631097	RAYMO SHAFT	1
22	631098	CONNECTING	1
23	591002	BALL BEARING 6306	1
24	592003	SEAL RING A 30-62-10	1
25	631011	PIN ORIENTATION	1
26	595001	O-RING	2
27	634003	KNIFE HEAD	1
28	634002	ADJUSTABLE PLATE	2
29	7270008	UNDULATED WASHER	2
30	7000825	HEXAGONAL CAP SCREW M8x25	2
31	7001030	HEX SCREW M10x30	4
32	7001040	HEX SCREW M10x40	2
33	7091020	WASHER CONTACT 10	6
34	7310001	SELF LOCKING NUT M10	2
35	7092901	WASHER CONTACT 8	2
36	7000816	HEX SCREW M8x16	2



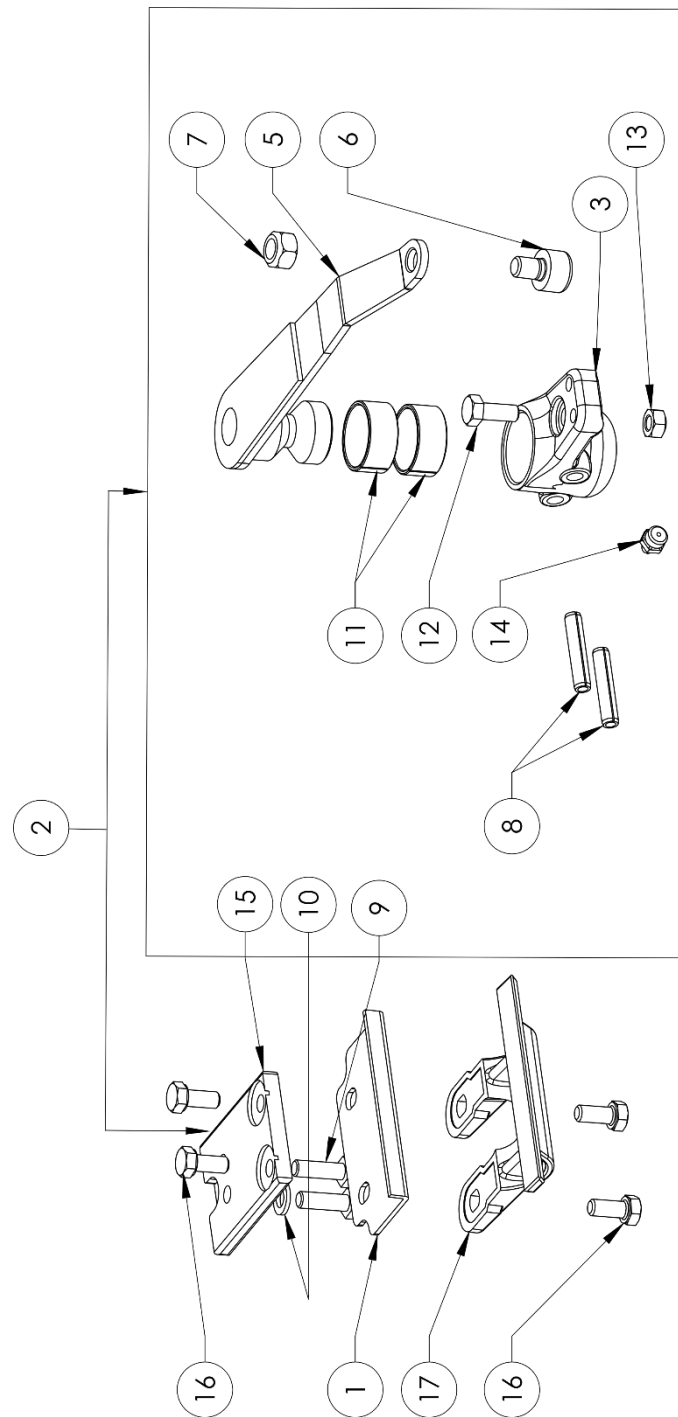
## 6 LVB DUAL ACTION



Item No.	Part number	Description	Quantity
1	310069	SINGLE UPPER BLADE 4 HOLES	6
2	310081	SINGLE UPPER BLADE 7 HOLES	4
3	621179	PLATE WITH PIN K	4
4	628601	RIVET 6x11	26
5	212618	RIVET T.T. 5,2x18	8
6	625202	PIN	1
7	310105	SINGLE UPPER BLADE 5 HOLES	3
8	623162	TRIAL FINGER PLATE DUAL PROFI	1
9	623160	DUAL FINGER PLATE DUAL PROFI	12
10	628602	RIVET 6x11	27
11	621238	LOWER KNIFE HEAD	1
12	628017	RIVET FOR LOWER KNIFE HEAD	12
13	621239	SPACER	27
14	621257	UPPER PLATE DUAL PROFI K20	1
15	624058	SIDE PROTECTION	2
16	624048	CPT. ADJUSTABLE SOLE	2
17	621136	SOLE SUPPORT G3	2
18	621172	SOLE	2
19	7000822	HEX CAP SCREW M8x22	2
20	7060008	HEX NUT M8	8
21	627053	PROTECTION PLATE K20	1
22	7170815	HEX SCREW M8x15x1	2
24	7310001	LOCK NUT M10	1
25	7341035	STUD M10x35	4
26	7150814	SOCKET SCREW M8x25	4
27	7000825	HEX CAP SCREW M8x25	4
28	7092901	WASHER CONTACT 8	4
29	7091020	WASHER CONTACT 10	4
30	621221	HANDLE	1
31	621272	TEMPLATE	1
32	340301	UPPER KNIFE BACK	1
33	340201	LOWER KNIFE BACK	1
34	625061	KNIFE PROTECTION	1
60	626494	BAR BACK	1
70/80	400041	PAIR CPT. KNIVES	1
80	450017	UPPER KNIFE	1
70	450065	LOWER KNIFE	1
50	621190	CPT. SWINGING ARM + SUPPORT K5-DUAL	4



## 6.1 SWINGING ARM - DUAL

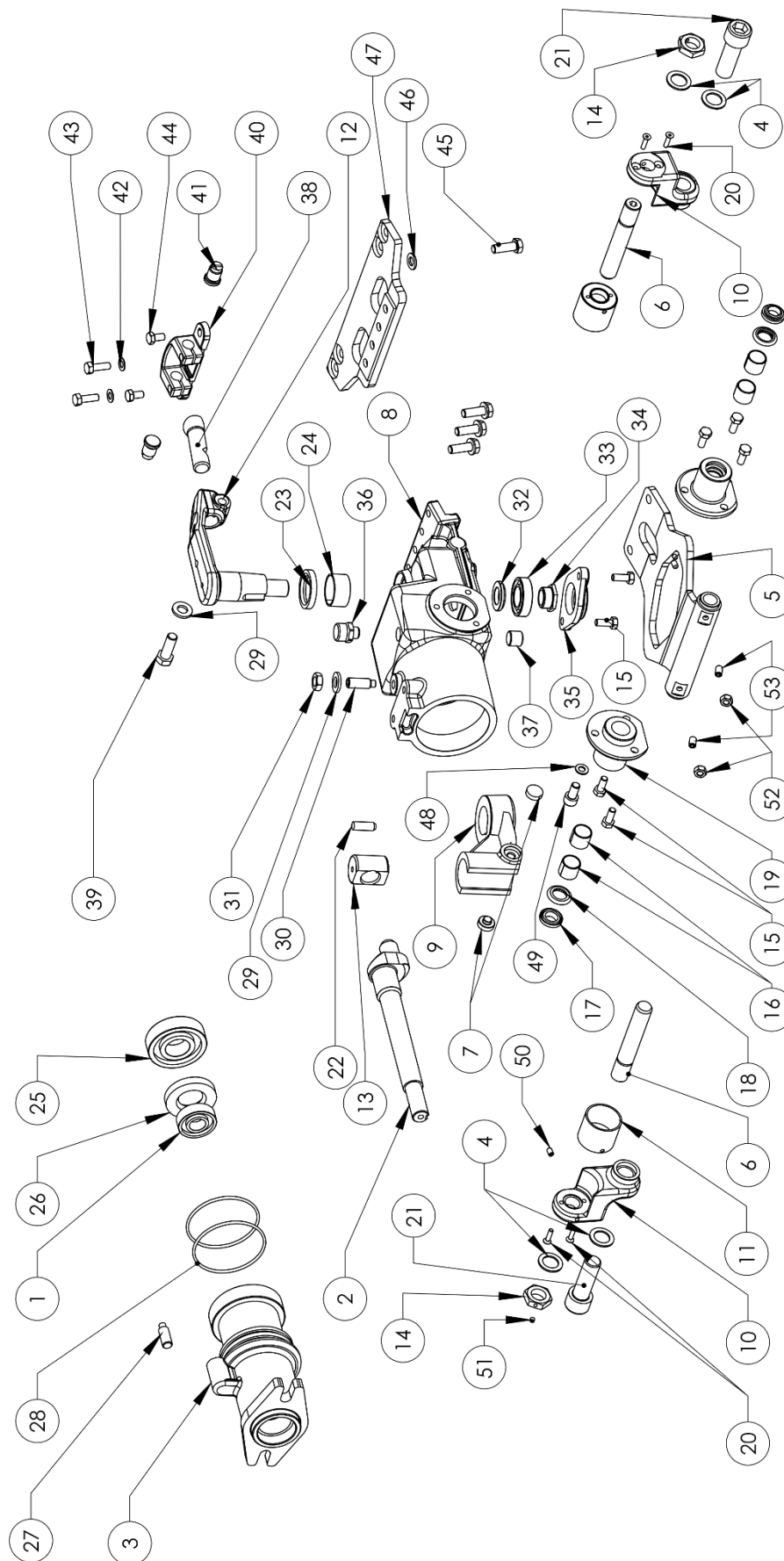




Item No.	Part number	Description	Quantity
1	621154	GUIDE DUAL PROFI	1
2	621190	CPT. SWINGING ARM SUPPORT K5-DUAL	1
3	621175	SPRING SUPPORT	1
5	621258	SWINGING ARM DUAL K5	1
6	621194	KNIFE GUIDE K5	1
7	7310001	SELF LOCKING NUT M10	1
8	625222	TENSION PIN 8x40	2
9	7000825	HEX CAP SCREW M8x25	2
10	7092901	WASHER CONTACT 8	2
11	621173	BUSHING 30x15	2
12	7000820	HEX CAP SCREW M8x20	1
13	7310002	NUT CONE LOCK M8	1
14	500007	GREASE NIPPEL M10	1
15	621182	PLATE	1
16	7000818	SCREW M8x16	4
17	621153.15	LOWER GUIDE DUAL PROFI	1



# 7 LVB DUAL GEARBOX



Item No.	Part number	Description	Quantity
1	591006	BALL BEARING 6204 2RS	1
2	631097	RAYMO SHAFT	1
3	631098	CONNECTION	1
4	7272020	WASHER NORDLOCK 20	4
5	641135	LOWER KNIFE HEAD DUAL PROFI	1
6	641101	GUIDE OF TRACTION D20	2
7	641036	INSIDE TABLET	2
8	641040	MAIN SUPPORT DUAL PROFI	1
9	641067	INTERNAL ARM	1
10	641137	SIDE JUNCTION K20	2
11	641138	PROTECTION BUCKLE K20	2
12	631018	ARM OF BLADE CONTROL	1
13	631007	SLIDING BLOCK	1
14	7250037	SPECIAL NUT M20x1,5	2
15	7000820	HEXAGONAL CAP SCREW M8x20	7
16	631071	BUSHING 20x20	4
17	592008	RING	2
18	592009	AXIAFLON SEALRING 20	2
19	641100	SIDE SUPPORT DUAL PROFI	2
20	7070520	BOLT COUNTERSUNK FLAT HEAD M5x20	4
21	7152060	CYL HEAD SCREW M20x60	2
22	623018	CYLINDRICAL PIN	1
23	592001	SEAL RING AS 35-47-7	1
24	631006	35x20 WEELAND BUSHING	1
25	591002	BALL BEARING 63006	1
26	592003	SEAL RING A 30-62-10	1
27	631011	PIN ORIENTATION	1
28	595001	O-RING	2
29	7270012	UNDULATED WASHER	2
30	7141235	BOLT WITHOUT HEAD M12x35	1
31	7030012	NUT M12	1
32	631014	SPACER RING	11
33	591001	BALL BEARING 6005	1
34	631004	SPECIAL NUT M20x1,5	1
35	631005	COVER	1
36	631031	BREATHER PLUG	1
37	631015	SCREW PLUG M18x1,5	1
38	634009	SPHERICAL HEADED PIN	1
39	7001235	HEX CAP SCREW M12x35	1
40	634003	ADJUSTABLE KNIFE HEAD	2
41	634002	ADJUSTING SCREW	2
42	7270008	UNDULATED WASHER	2
43	7000825	HEX CAP SCREW M8x25	2
44	7170815	HEX SCREW M8x15	2
45	7001030	HEX SCREW M10x30	4
46	7091020	WASHER CONTACT 10	4
47	627056	CONNECTION PLATE DUAL PROFI	1
48	7093008	CUPPER RING	1
49	7151020	CYL HEAD SCREW M10x25	1
50	7290610	SCREW WITHOUT HEAD M6x10	2
51	7290506	SCREW WITHOUT HEAD M5x6	2



Item No.	Part number	Description	Quantity
52	7020008	NUT M8	2
53	7290814	SCREW WITHOUT HEAD M8x14	2

