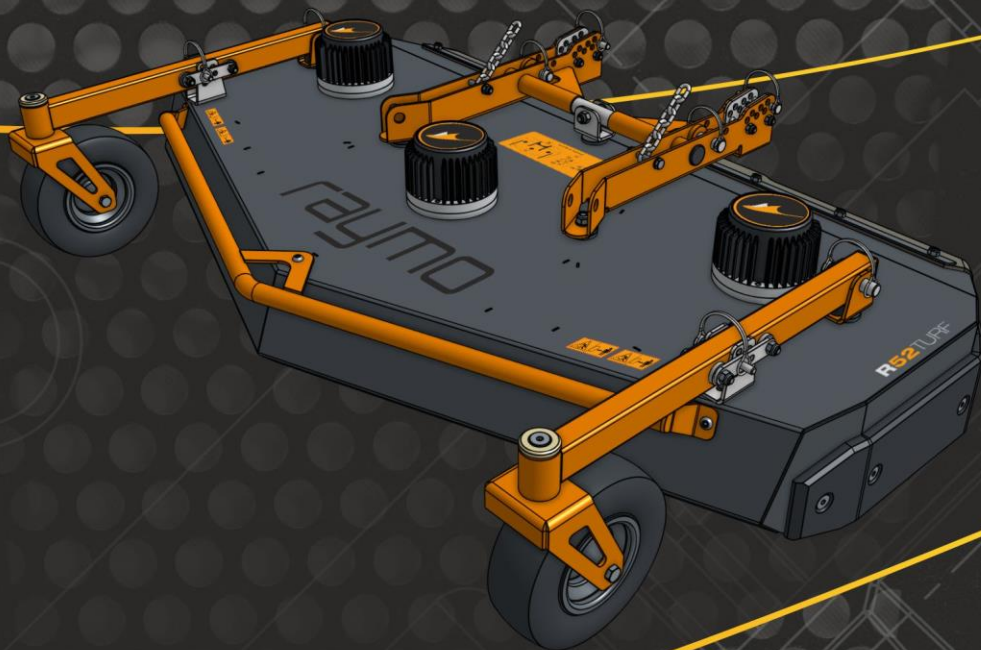




R52TURF

PARTS MANUAL



DOCUMENT	Parts Manual
VALID FOR	R52TURF cutting deck
VALID FOR S/N	00034 -
DOCUMENT NO.	PM-RAY-D-R52-EN VER 2.0

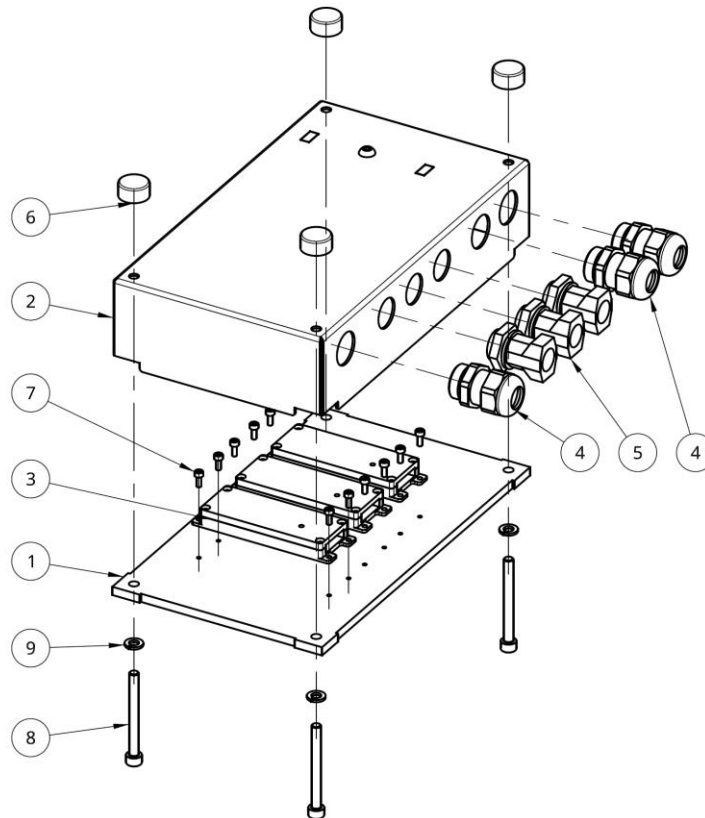
For Safety, Read All Safety and Operation Instructions Prior to Operating the Machine

Contents

1	R52 EL. BOX.....	3
2	DECK R52	4
3	DECK MOTOR.....	5
4	CASTER WHEEL	6
5	DECK FLEX FRAME.....	7
6	DEEP MULCHING KIT R52TURF (OPTIONAL).....	8



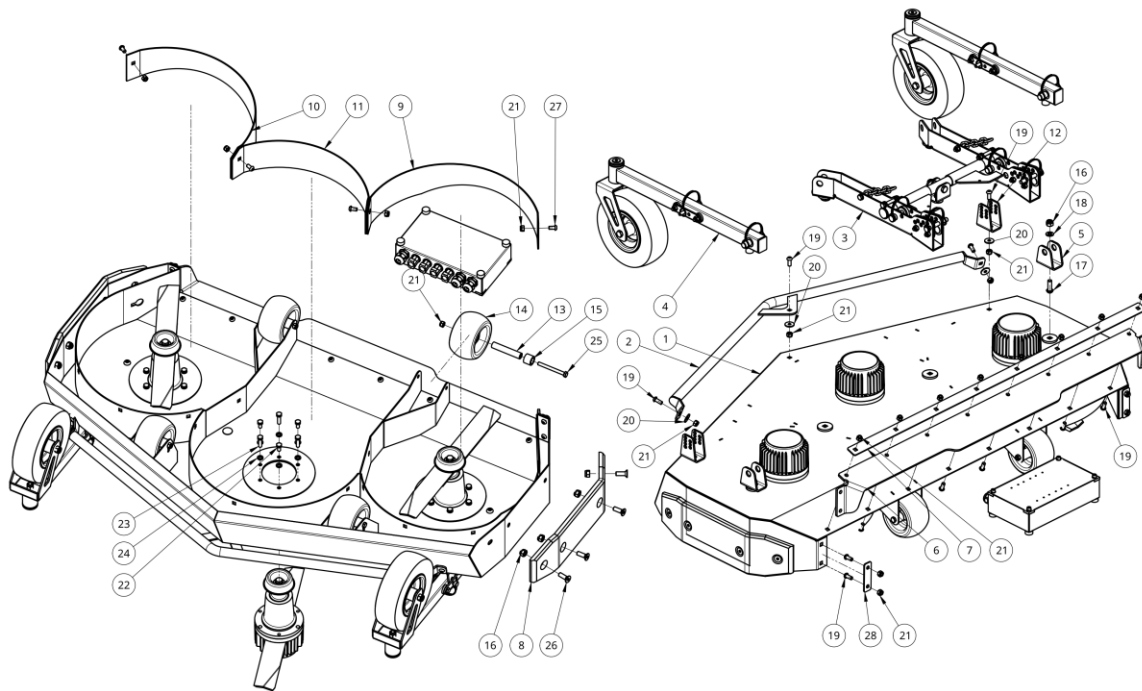
1 R52 EL. BOX



Item No.	Part number	Description	Quantity
1	B050010	DECK BOX COOLER	1
2	B050020	DECK BOX COVER	1
3	E2010	RAYMO AM C.U.	3
4	E3101	CABLE GLAND	3
5	E3111	CABLE GLAND	3
6	F5006	SILENT BLOCK	4
7	F0310	SOCKET SCREW	12
8	F0304	SOCKET SCREW	4
9	F3103	SPRING WASHER	4
	B051100	CABLE R42 POWER	1
	B051200	CABLE R42 CAN	1
	E3302	CONNECTOR BLUE	1



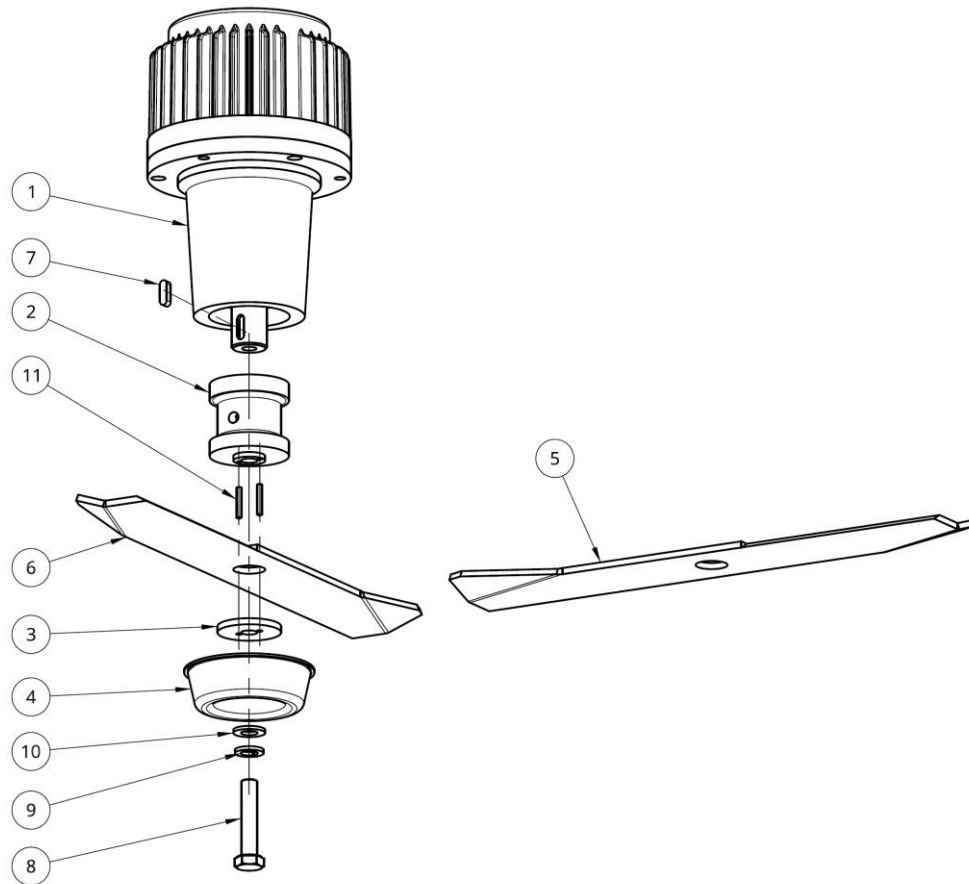
2 DECK R52



Item No.	Part number	Description	Qty	Item No.	Part number	Description	Qty
1	B241000	DECK R52 TURF	1	15	F4402	SPACER	4
2	B242000	52 DECK BUMPER	1	16	F2001	LOCK NUT	10
3	B230000	DECK FRAME FLEX ASM	1	17	F0601	CARRIAGE BOLT	2
4	B233100	CASTER WHEEL ASM	2	18	F3003	WASHER	2
5	B240010	52 CASTER HOLDER	2	19	F0603	CARRIAGE BOLT	17
6	B240021	52 DECK RUBBER	1	20	F3202	LARGE WASHER	5
7	B240030	52 RUBBER WASHER	1	21	F2002	LOCK NUT	25
8	B240040	SKID PLATE	2	22	F0207	HEX BOLT	9
9	B240070L	52 MULCH L2	1	23	F0205	HEX BOLT	9
10	B240070R	52 MULCH R2	1	24	F3102	SPRING WASHER	18
11	B240080	52 MULCH S2	1	25	F0104	HEX BOLT	4
12	B230030	HIGHT ADJ. BRACKET	2	26	F0412	FLAT SCREW	8
13	B210010	DECK WHEEL SHAFT	4	27	F0604	CARRIAGE BOLT	4
14	G0010	DECK WHEEL	4	28	B240110	52 RUBBER SIDE WASHER	2



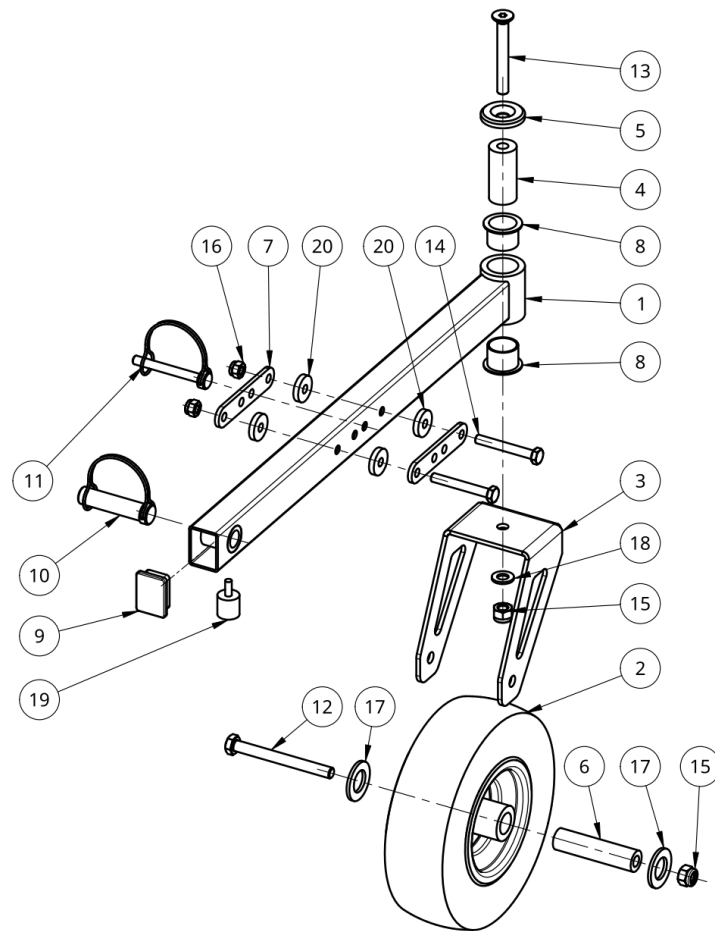
3 DECK MOTOR



Item No.	Part number	Description	Quantity
1	B221000	DECK MOTOR	1
2	B220010	BLADE HUB	1
3	B220020	BLADE WASHER	1
4	B220030	BLADE CUP	1
5	B220120	BLADE 450 L ORANGE	1
6	B220220	BLADE 450 R BLACK	2
7	F4005	KEY	1
8	F0211	HEX BOLT	1
9	F3101	SPRING WASHER	1
10	F3003	WASHER	1
11	F4601	SPRING PIN	2
	F4510	HUB BEARING 1640-2RS	1
	F4701	RETAINING RING 22	1



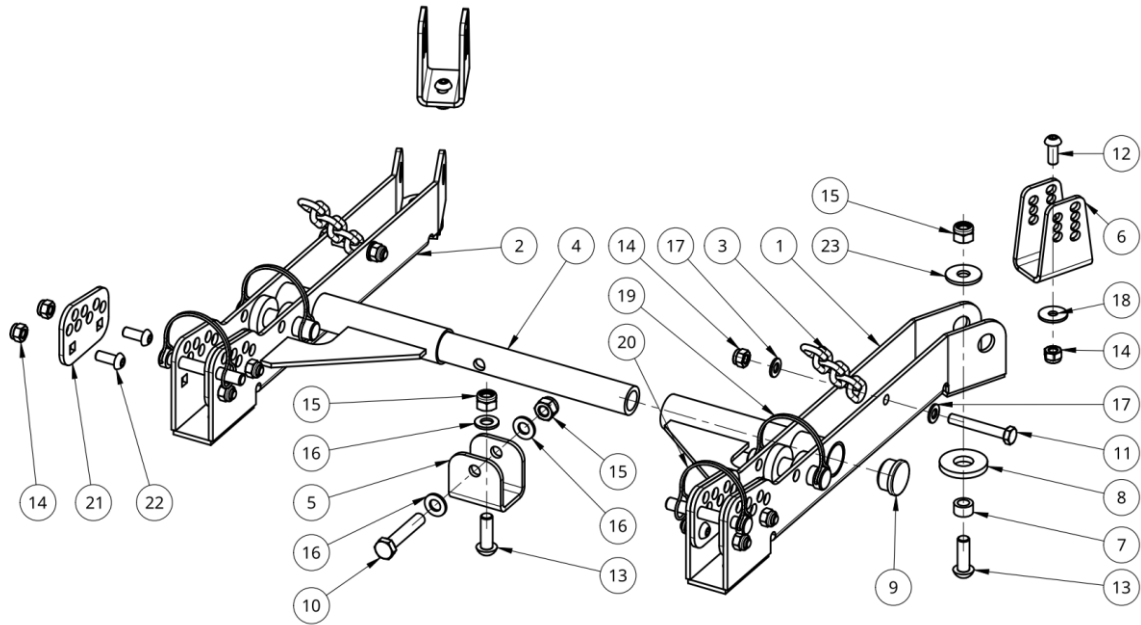
4 CASTER WHEEL



Item No.	Part number	Description	Quantity
1	B233000	DECK WHEEL FRAME	1
2	G0020	CASTER WHEEL	1
3	B234000	CASTER WHEEL BRACKET	1
4	B230110	CASTER WHEEL PIVOT	1
5	B230120	PIVOT WASHER	1
6	B230130	CASTER WHEEL SPACING TUBE	1
7	B230040	HIGHT PLATE FRONT	2
8	F4220	BUSHING	2
9	G0200	TUBE PLUG	1
10	G0110	LOCK PIN	1
11	G0140	LOCK PIN	1
12	F0101	HEX BOLT	1
13	F0401	FLAT SCREW	1
14	F0106	HEX BOLT	2
15	F2001	LOCK NUT	2
16	F2002	LOCK NUT	2
17	F3001	WASHER	2
18	F3003	WASHER	1
19	F5021	SILENT BLOCK	1
20	B230090	HIGHT PLATE WASHER	4



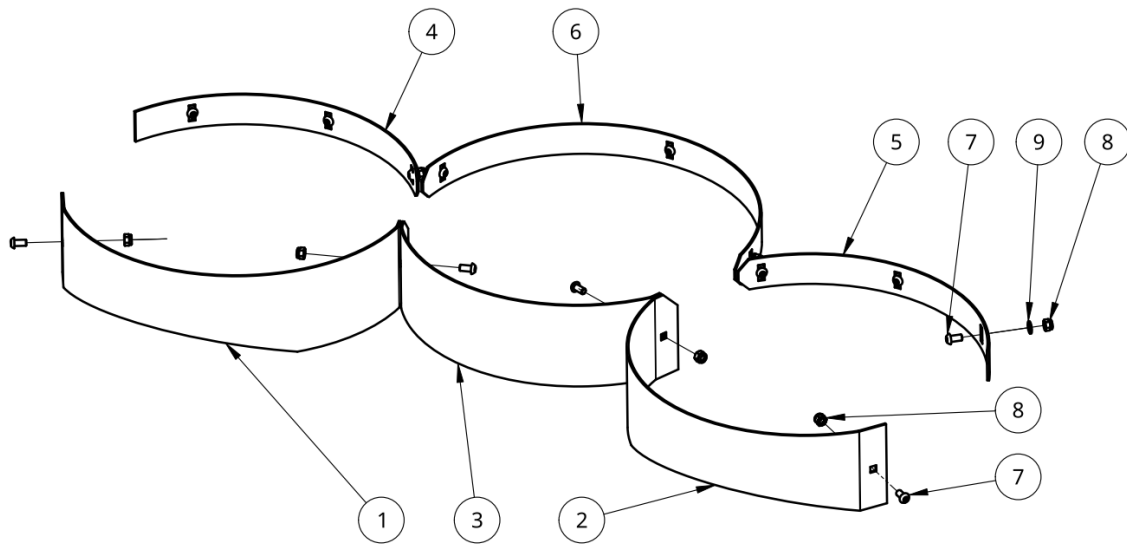
5 DECK FLEX FRAME



Item No.	Part number	Description	Quantity
1	B231000	DECK FRAME R42 LEFT	1
2	B232000	DECK FRAME R42 RIGHT	1
3	B230070	DECK SPRING CHAIN	2
4	B230010	DECK FRAME TUBE	1
5	B230020	DECK TUBE BRACKET	1
6	B230030	HIGHT ADJ. BRACKET	2
7	B230050	DECK SPACING RING	2
8	B230060	DECK RUBBER SPACER	2
9	G0210	TUBE PLUG	2
10	F0103	HEX BOLT	1
11	F0107	HEX BOLT	2
12	F0603	CARRIAGE BOLT	4
13	F0601	CARRIAGE BOLT	3
14	F2002	LOCK NUT	13
15	F2001	LOCK NUT	4
16	F3003	WASHER	3
17	F3004	WASHER	4
18	F3202	LARGE WASHER	2
19	G0110	LOCK PIN	2
20	G0120	LOCK PIN	2
21	B230080	HIGHT PLATE REAR	4
22	F0503	BUTTON SCREW	8
23	F3206	LARGE WASHER	2



6 DEEP MULCHING KIT R52TURF (OPTIONAL)



Item No.	Part number	Description	Quantity
1	B240050L	52 MULCH L1	1
2	B240050R	52 MULCH R1	1
3	B240060	52 MULCH S1	1
4	B240090L	52 MULCH FL	1
5	B240090R	52 MULCH FR	1
6	B240100	52 MULCH FS	1
7	F0604	CARRIAGE BOLT	13
8	F2002	LICK NUT	13
9	F3004	WASHER	9

