



R42FLEX

PARTS MANUAL



DOCUMENT	Parts Manual
VALID FOR	R42FLEX cutting deck
VALID FOR S/N	00136 -
DOCUMENT NO.	PM-RAY-D-R42-EN Ver. 3.0

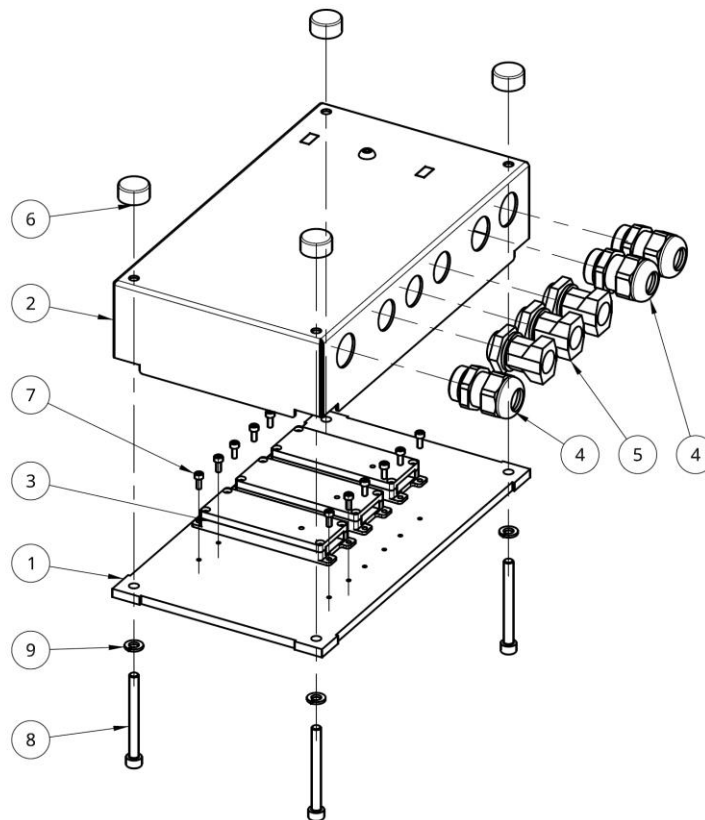
For Safety, Read All Safety and Operation Instructions Prior to Operating the Machine

Contents

1	R42 BOX	3
2	DECK R42	4
3	DECK MOTOR.....	5
4	CASTER WHEEL	6
5	DECK FLEX FRAME.....	7



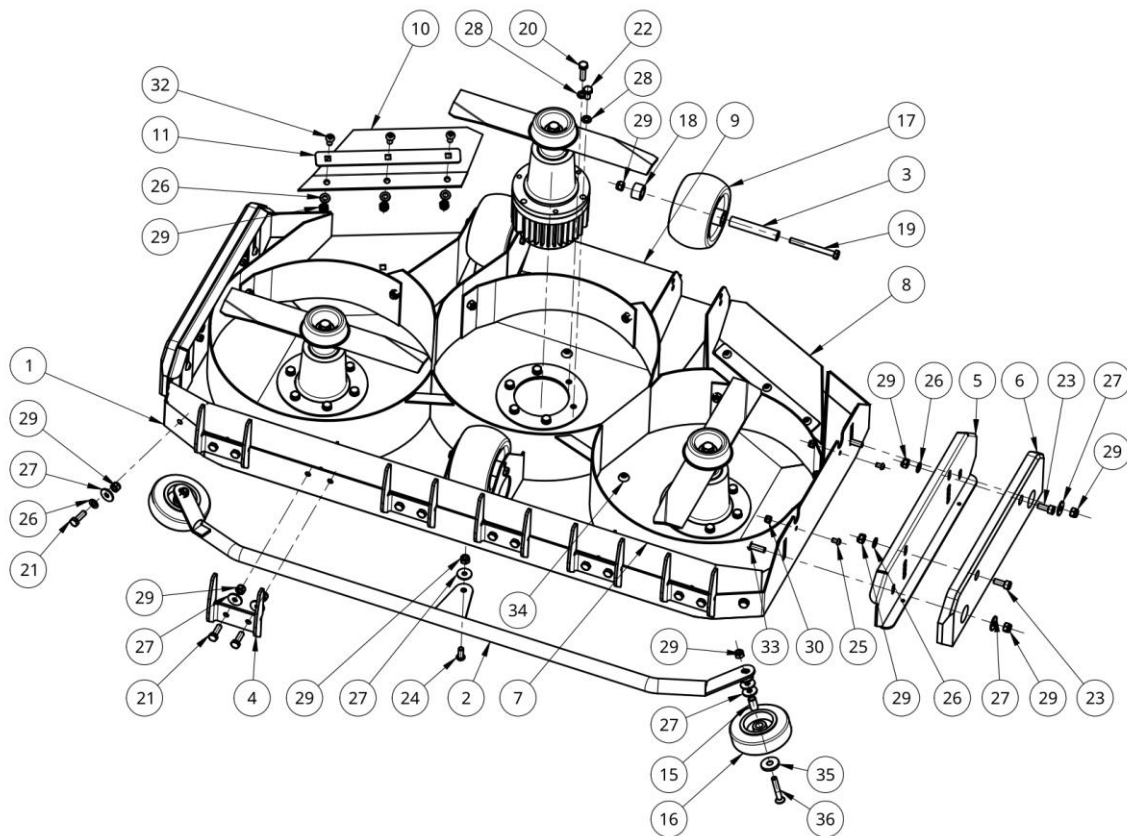
1 R42 BOX



Item No.	Part number	Description	Quantity
1	B050010	DECK BOX COOLER	1
2	B050020	DECK BOX COVER	1
3	E2010	RAYMO AM C.U.	3
4	E3101	CABLE GLAND	3
5	E3111	CABLE GLAND	3
6	F5006	SILENT BLOCK	4
7	F0310	SOCKET SCREW	12
8	F0304	SOCKET SCREW	4
9	F3103	SPRING WASHER	4
	B051100	CABLE R42 POWER	1
	B051200	CABLE R42 CAN	1
	E3302	CONNECTOR BLUE	1



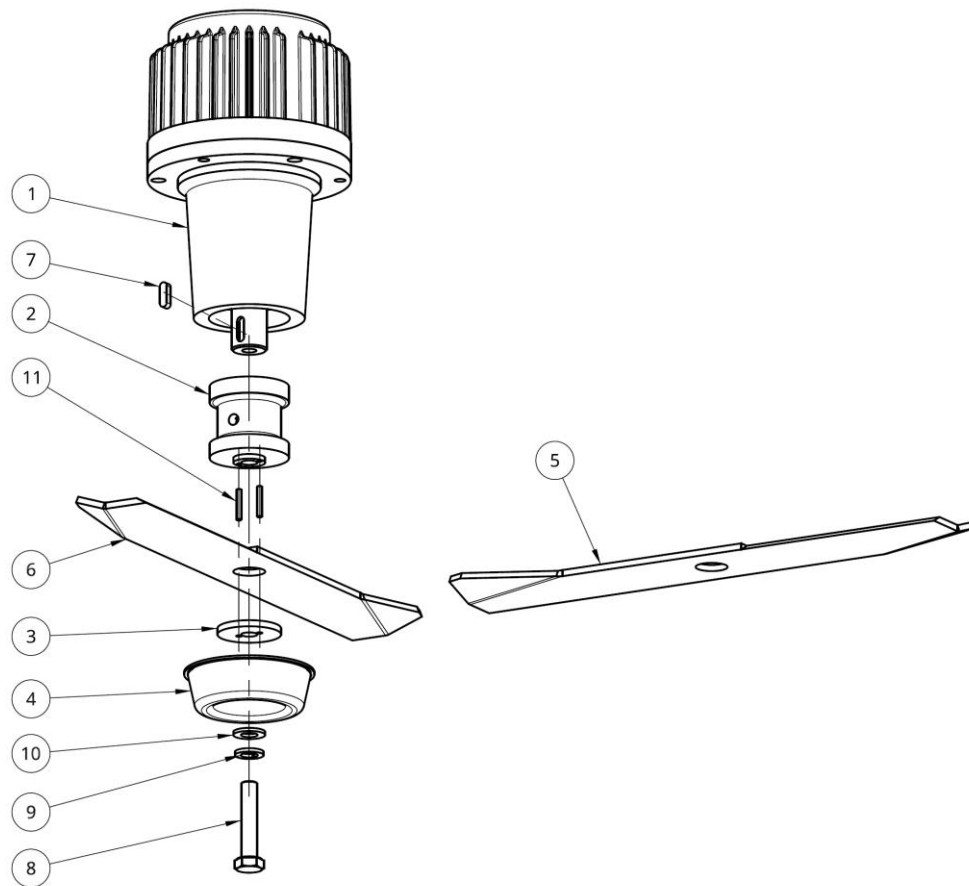
2 DECK R42



Item No.	Part number	Description	Qty	Item No.	Part number	Description	Qty
1	B211000	DECK R42 FLEX	1	19	F0104	HEX BOLT	3
2	B212000	DECK BUMPER	1	20	F0205	HEX BOLT	9
3	B210010	DECK WHEEL SHAFT	3	21	F0206	HEX BOLT	14
4	B210020	DECK DEFLECTOR	6	22	F0207	HEX BOLT	9
5	B210030	SKID BRACKET	2	23	F0303	SOCKET SCREW	4
6	B210040	SKID PLATE	2	24	F0503	BUTTON SCREW	1
7	B210050	DECK RUBBER FRONT	1	25	F0507	BUTTON SCREW	4
8	B210060	DECK RUBBER LEFT	1	26	F3004	WASHER	15
9	B210070	DECK RUBBER MIDDLE	1	27	F3202	LARGE WASHER	29
10	B210080	DECK RUBBER RIGHT	1	28	F3102	SPRING WASHER	18
11	B210090	RUBBER WASHER	3	29	F2002	LOCK NUT	43
12	B210091	MULCH COVER LEFT	1	30	F2003	LOCK NUT	4
13	B210092	MULCH COVER MIDDLE	1	31	F0604	CARRIAGE BOLT	6
14	B210093	MULCH COVER RIGHT	1	32	F0603	CARRIAGE BOLT	9
15	B070030	WHEEL SPACING TUBE	2	33	F0602	CARRIAGE BOLT	4
16	B070040	CART WHEEL	2	34	F0601	CARRIAGE BOLT	3
17	G0010	DECK WHEEL	3	35	B020040	SPROCKET WASHER	2
18	F4402	SPACER	3	36	F0411	FLAT SCREW	2



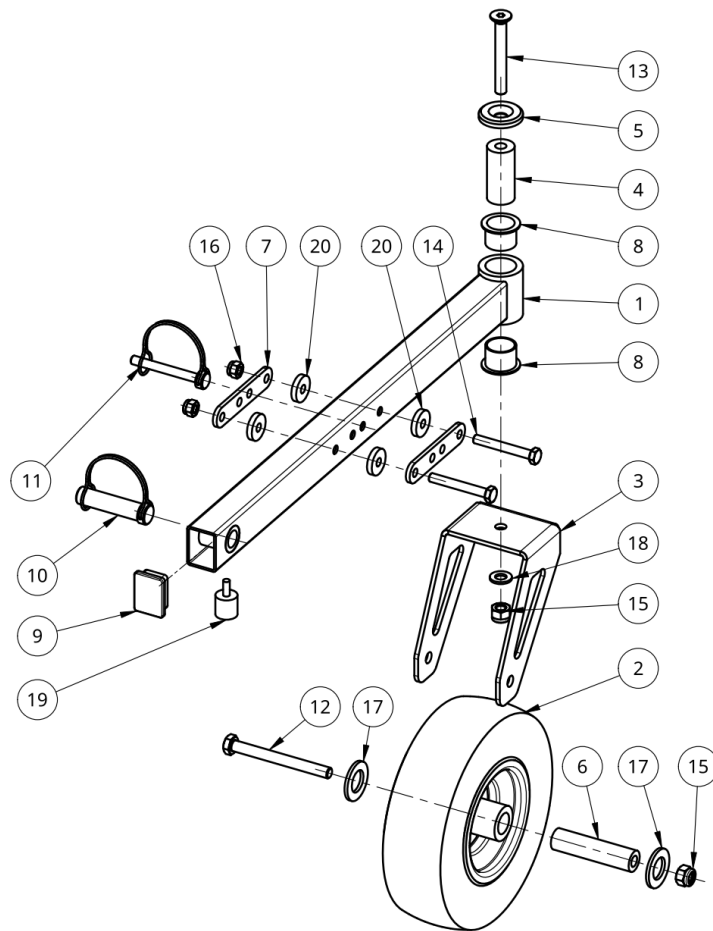
3 DECK MOTOR



Item No.	Part number	Description	Quantity
1	B221000	DECK MOTOR	1
2	B220010	BLADE HUB	1
3	B220020	BLADE WASHER	1
4	B220030	BLADE CUP	1
5	B220110	BLADE 355 L ORANGE	1
6	B220210	BLADE 355 R BLACK	2
7	F4005	KEY	1
8	F0211	HEX BOLT	1
9	F3101	SPRING WASHER	1
10	F3003	WASHER	1
11	F4601	SPRING PIN	2
	F4510	HUB BEARING 1640-2RS	1
	F4701	RETAINING RING 22	1



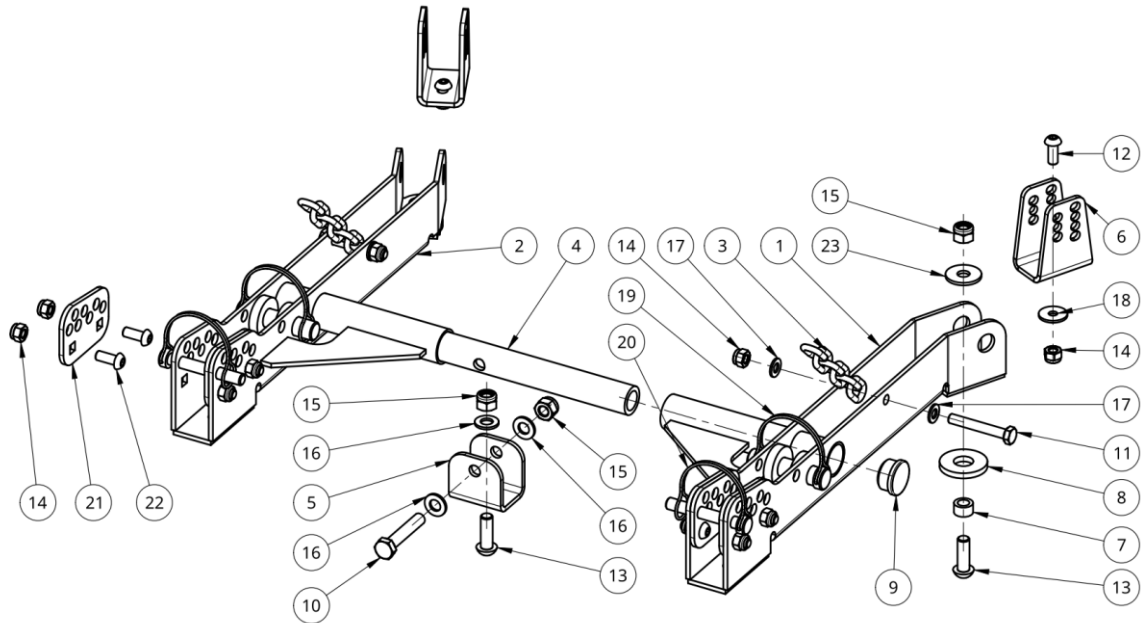
4 CASTER WHEEL



Item No.	Part number	Description	Quantity
1	B233000	DECK WHEEL FRAME	1
2	G0020	CASTER WHEEL	1
3	B234000	CASTER WHEEL BRACKET	1
4	B230110	CASTER WHEEL PIVOT	1
5	B230120	PIVOT WASHER	1
6	B230130	CASTER WHEEL SPACING TUBE	1
7	B230040	HIGHT PLATE FRONT	2
8	F4220	BUSHING	2
9	G0200	TUBE PLUG	1
10	G0110	LOCK PIN	1
11	G0140	LOCK PIN	1
12	F0101	HEX BOLT	1
13	F0401	FLAT SCREW	1
14	F0106	HEX BOLT	2
15	F2001	LOCK NUT	2
16	F2002	LOCK NUT	2
17	F3001	WASHER	2
18	F3003	WASHER	1
19	F5020	SILENT BLOCK	1
20	B230090	HIGHT PLATE WASHER	4



5 DECK FLEX FRAME



Item No.	Part number	Description	Quantity
1	B231000	DECK FRAME R42 LEFT	1
2	B232000	DECK FRAME R42 RIGHT	1
3	B230070	DECK SPRING CHAIN	2
4	B230010	DECK FRAME TUBE	1
5	B230020	DECK TUBE BRACKET	1
6	B230030	HIGHT ADJ. BRACKET	2
7	B230050	DECK SPACING RING	2
8	B230060	DECK RUBBER SPACER	2
9	G0210	TUBE PLUG	2
10	F0103	HEX BOLT	1
11	F0107	HEX BOLT	2
12	F0603	CARRIAGE BOLT	4
13	F0601	CARRIAGE BOLT	3
14	F2002	LOCK NUT	13
15	F2001	LOCK NUT	4
16	F3003	WASHER	3
17	F3004	WASHER	4
18	F3202	LARGE WASHER	2
19	G0110	LOCK PIN	2
20	G0120	LOCK PIN	2
21	B230080	HIGHT PLATE REAR	4
22	F0503	BUTTON SCREW	8
23	F3206	LARGE WASHER	2

