



R14SFINX

PARTS MANUAL



DOCUMENT	Parts Manual
VALID FOR	R14SFINX mower attachment
VALID FOR S/N	00001-
DOCUMENT NO.	PM-RAY-D-R14-EN Ver. 1.0

For Safety, Read All Safety and Operation Instructions Prior to Operating the Machine

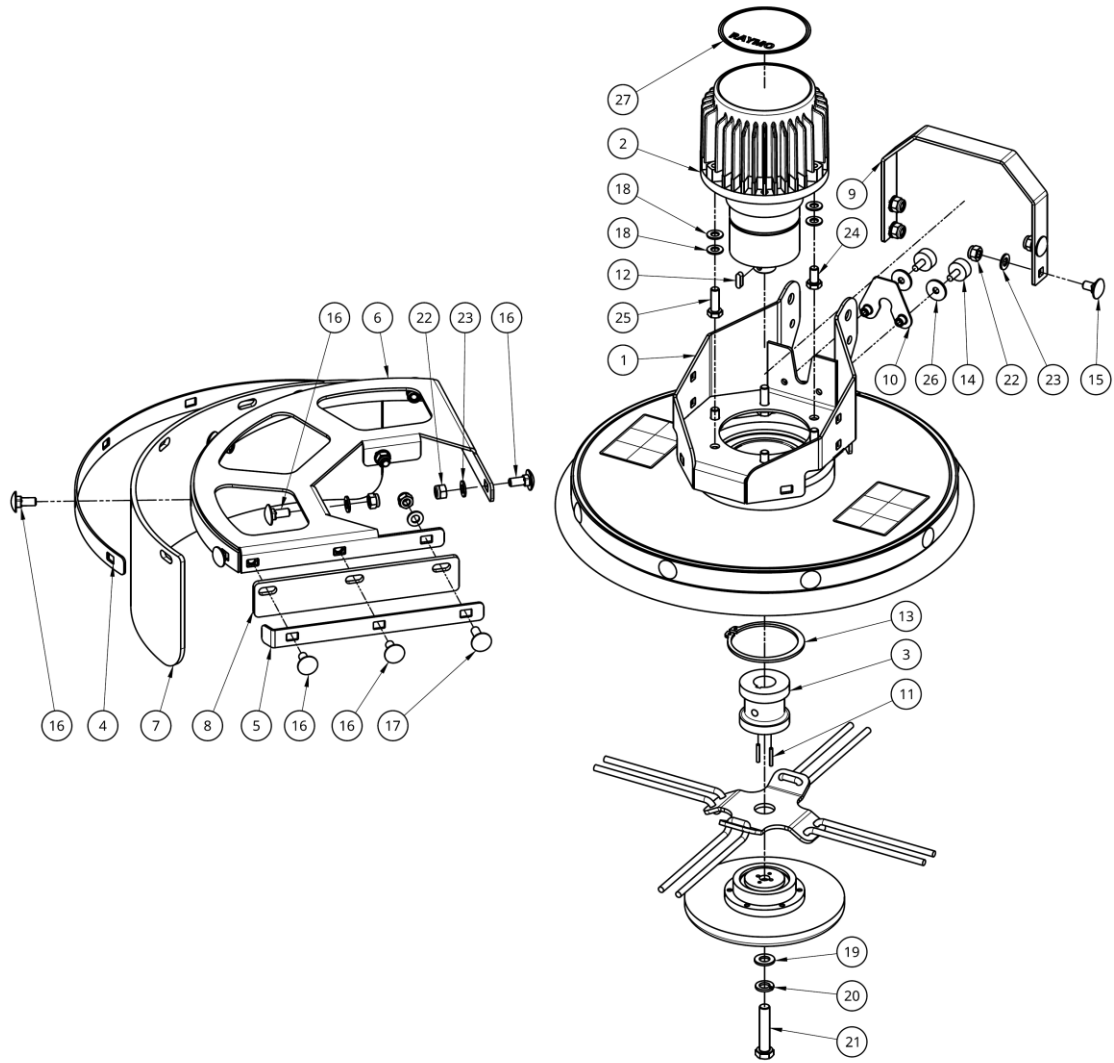


Contents

1	MAC BRACKET	4
2	DISC	6
3	BLADE SKID ASM	8
4	STRING BLADE ASM.....	9
5	ARMS R.....	10
6	ARMS L	12
7	HOLDER R	14
8	HOLDER L.....	16
9	BOX ASM	18
10	CONECTOR ASM	20
11	WFRAME R	21
12	WFRAME L.....	22



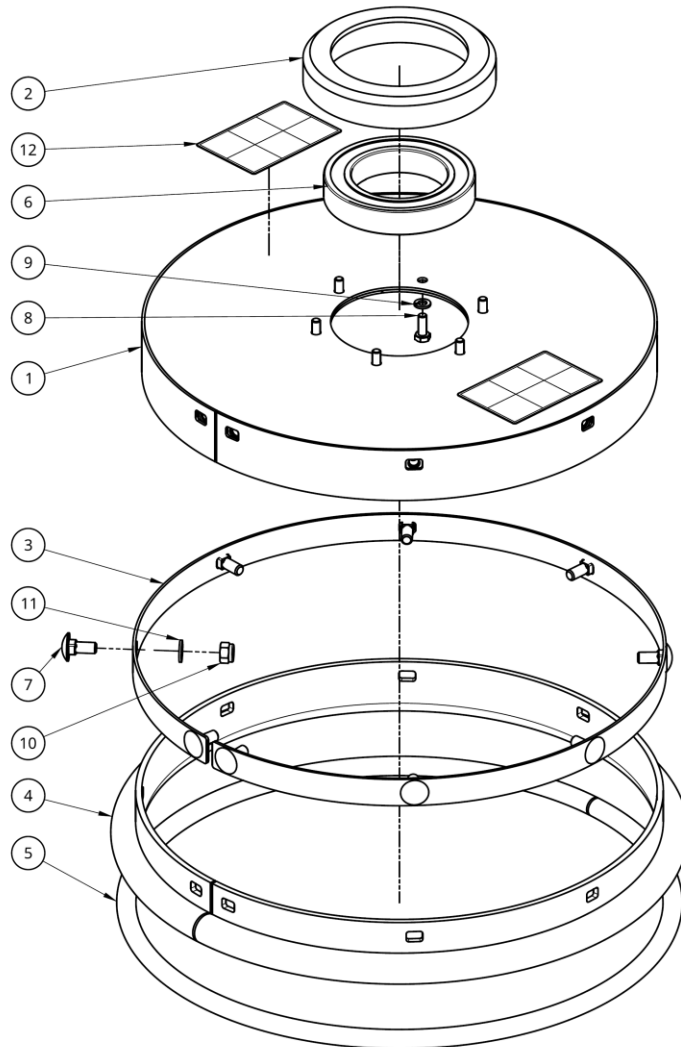
1 MAC BRACKET



Item No.	Part number	Description	Quantity
1	B333100	14 MAC BRACKET	1
2	B341000	14 DECK MOTOR	1
3	B220010	BLADE HUB	1
4	B330070	14 RUBBER RIM 1	1
5	B330080	14 RUBBER RIM 2	1
6	B333200	14 DEFLECTOR	1
7	B330100	14 DEFLECTOR RUBBER	1
8	B330110	14 DISC RUBBER	1
9	B330140	14 HANDLE	1
10	B330150	14 TUBE CLIP	1
11	F4601	SPRING PIN	2
12	F4005	KEY	1
13	F4703	RETAINING RING	1
14	F5022	SILENT BLOCK	2
15	F0604	CARRIAGE BOLT	4
16	F0603	CARRIAGE BOLT	10
17	F0602	CARRIAGE BOLT	1
18	F3401	RIP LOCK WASHER M8	12
19	F3003	WASHER	1
20	F3101	SPRING WASHER	1
21	F0211	HEX BOLT	1
22	F2002	LOCK NUT	15
23	F3004	WASHER	15
24	F0207	HEX BOLT	3
25	F0206	HEX BOLT	3
26	F3207	LARGE WASHER	2
27	S3064	DECAL R14 MOTOR	1



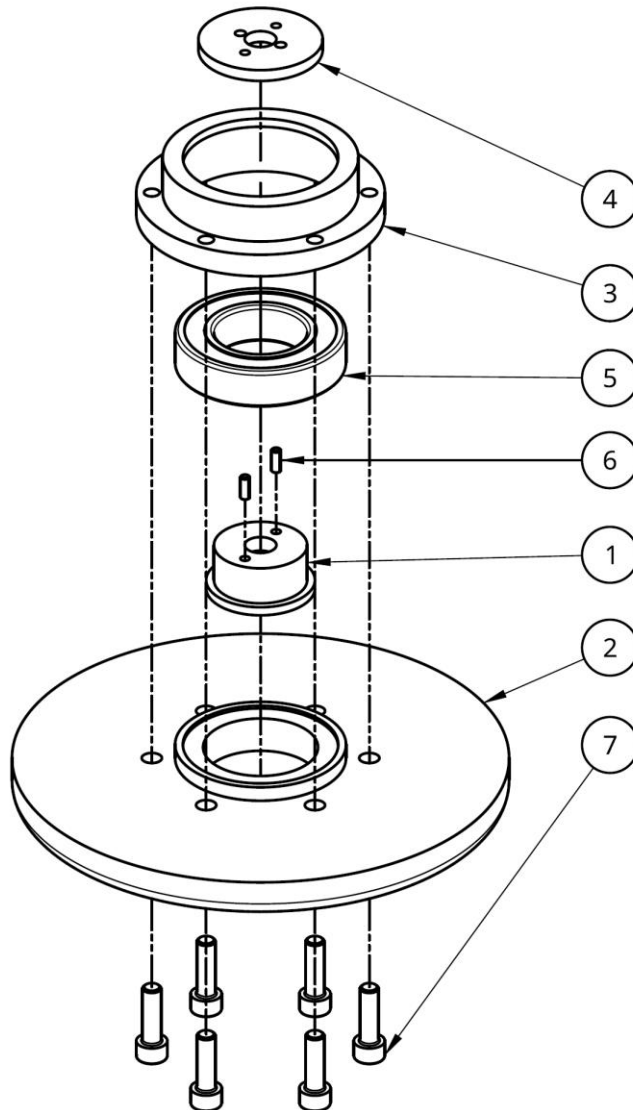
2 DISC



Item No.	Part number	Description	Quantity
1	B333300	14 DISC	1
2	B330010	14 DISC FLANGE	1
3	B330090	14 DISC RING	1
4	B330130	14 DISC BUMPER	1
5	B330160	14 DISC BUMPER TUBE	1
6	F4532	BEARING	1
7	F0603	CARRIAGE BOLT	9
8	F0210	HEX BOLT	6
9	F3103	SPRING WASHER	6
10	F2002	LOCK NUT	9
11	F3004	WASHER	9
12	S2034	DECAL WARNING R14 DISC	2



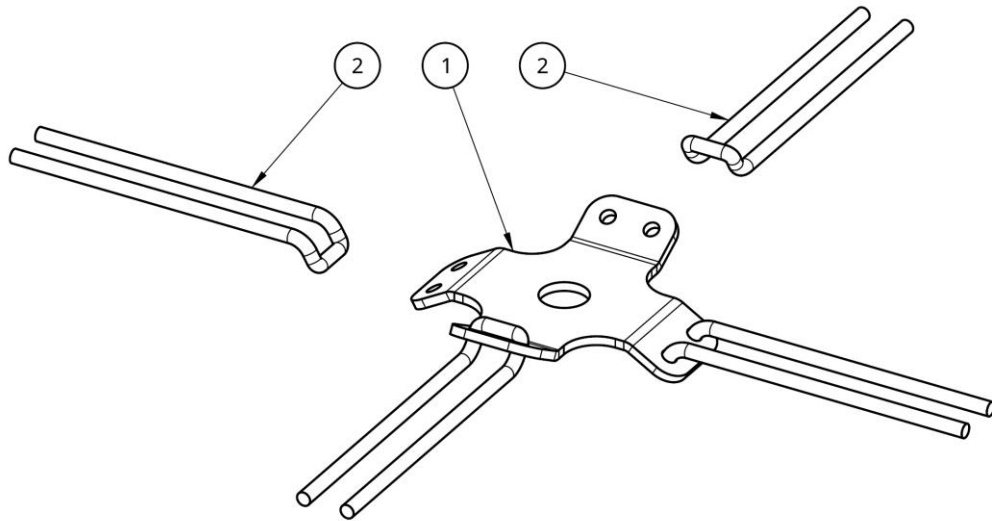
3 BLADE SKID ASM



Item No.	Part number	Description	Quantity
1	B334010	14 DISC AXLE	1
2	B334020	14 DISC SKID	1
3	B334030	14 DISC HUB	1
4	B334040	14 BLADE WASHER	1
5	F4531	BEARING	1
6	F4603	SPRING PIN	2
7	F0316	SOCKET SCREW	6



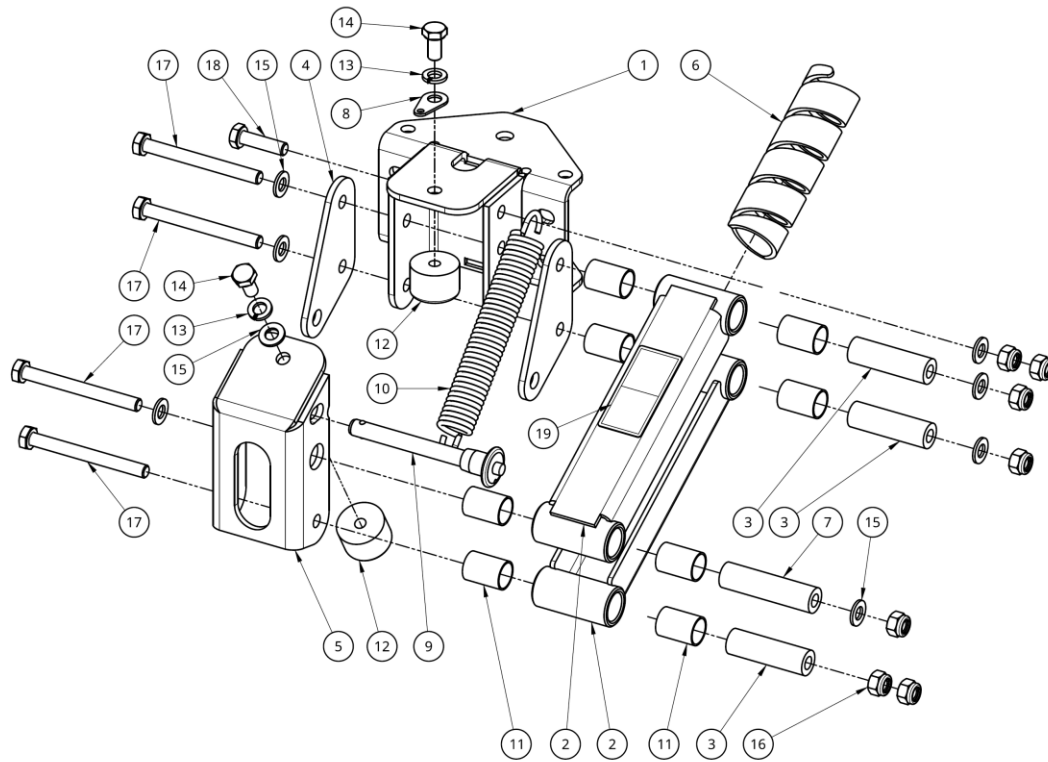
4 STRING BLADE ASM



Item No.	Part number	Description	Quantity
1	B335010	14 STRING BLADE	1
2	B335020	14 STRING 320	4



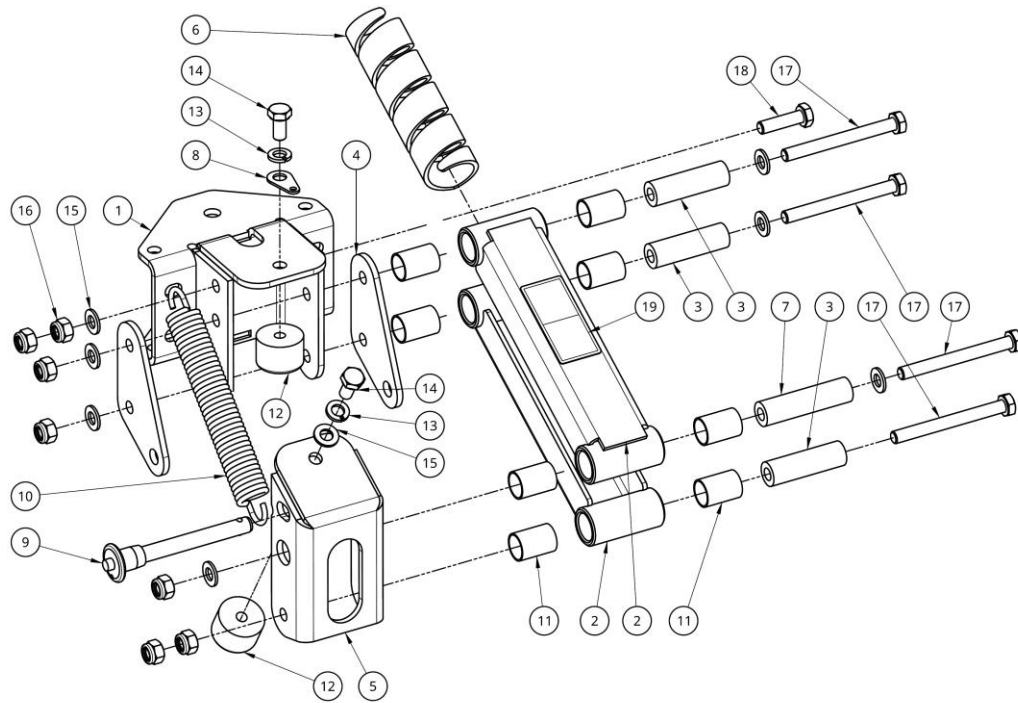
5 ARMS R



Item No.	Part number	Description	Quantity
1	B332200	14 TOP BRACKET	1
2	B332400	14 ARM	2
3	B330020	14 ARM PIVOT S	3
4	B330050	14 ARM STOP	2
5	B330060	14 BOTTOM BRACKET	1
6	B330170	14 SPIRAL SLEEVE 120	1
7	B310090	48 DECK WHEEL SHAFT	1
8	B315030	48 ROPE LINK	1
9	G0123	BUTTON LOCK PIN 10/70	1
10	G0304	TENS SPRING	1
11	F4203	BUSHING	8
12	F5004	SILENT BLOCK	2
13	F3102	SPRING WASHER	2
14	F0207	HEX BOLT	2
15	F3004	WASHER	8
16	F2002	LOCK NUT	7
17	F0109	HEX BOLT	4
18	F0205	HEX BOLT	1
19	S2036	DECAL WARNING R14 ARM	1



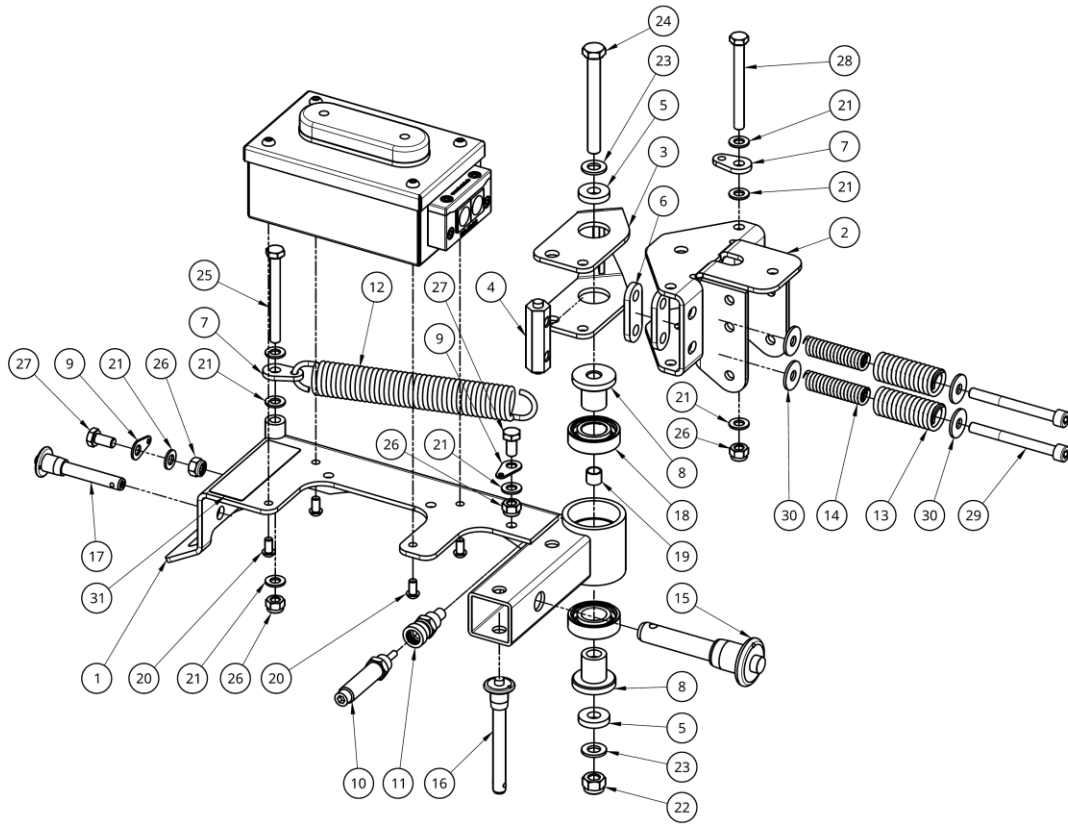
6 ARMS L



Item No.	Part number	Description	Quantity
1	B332200	14 TOP BRACKET	1
2	B332400	14 ARM	2
3	B330020	14 ARM PIVOT S	3
4	B330050	14 ARM STOP	2
5	B330060	14 BOTTOM BRACKET	1
6	B330170	14 SPIRAL SLEEVE 120	1
7	B310090	48 DECK WHEEL SHAFT	1
8	B315030	48 ROPE LINK	1
9	G0123	BUTTON LOCK PIN 10/70	1
10	G0304	TENS SPRING	1
11	F4203	BUSHING	8
12	F5004	SILENT BLOCK	2
13	F3102	SPRING WASHER	2
14	F0207	HEX BOLT	2
15	F3004	WASHER	8
16	F2002	LOCK NUT	7
17	F0109	HEX BOLT	4
18	F0205	HEX BOLT	1
19	S2036	DECAL WARNING R14 ARM	1



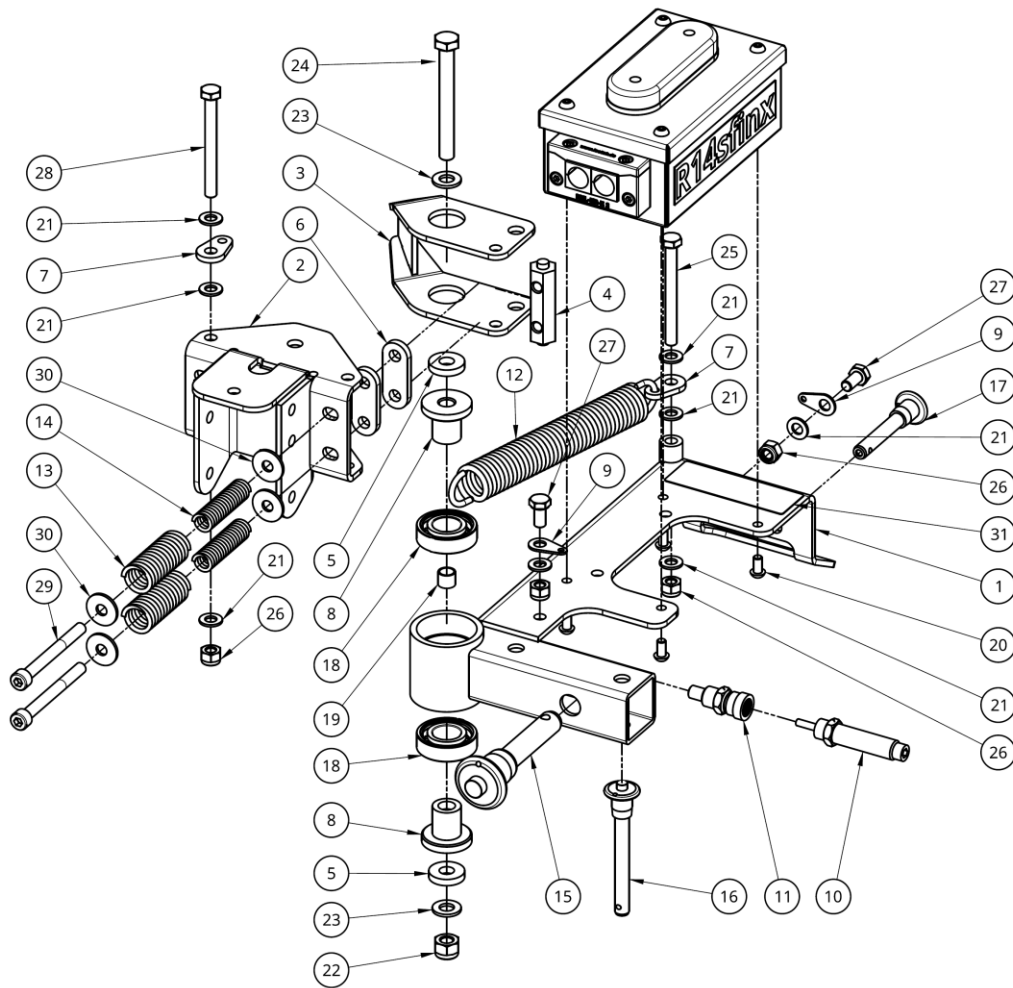
7 HOLDER R



Item No.	Part number	Description	Quantity
1	B332100R	14 HOLDER R	1
2	B332200	14 TOP BRACKET	1
3	B332300	14 STOP FRAME	1
4	B330030	14 STOP HEX	1
5	B330040	14 AXLE RING	2
6	B330120	14 STOP RUBBER	2
7	B330180	14 SPRING HOLDER	2
8	B312080	48 AXLE FLANGE BOTTOM	2
9	B315030	48 ROPE LINK	2
10	G1500	SHOCK ABSORBER	1
11	G1501	ADAPTER	1
12	G0303	TENS SPRING	1
13	G0350	COMP SPRING	2
14	G0351	COMP SPRING	2
15	G0112	BUTTON LOCK PIN 16/55	1
16	G0123	BUTTON LOCK PIN 10/70	1
17	G0121	BUTTON LOCK PIN 10/45	1
18	F4530	BEARING	2
19	F4206	BUSHING	1
20	F0506	BUTTON SCREW	4
21	F3004	WASHER	8
22	F2001	LOCK NUT	1
23	F3003	WASHER	2
24	F0113	HEX BOLT	1
25	F0109	HEX BOLT	1
26	F2002	LOCK NUT	4
27	F0207	HEX BOLT	2
28	F0104	HEX BOLT	1
29	F0318	SOCKET SCREW	2
30	F3205	LARGE WASHER	4
31	S1023	PRODUCTION PLATE R14SFINX R	1



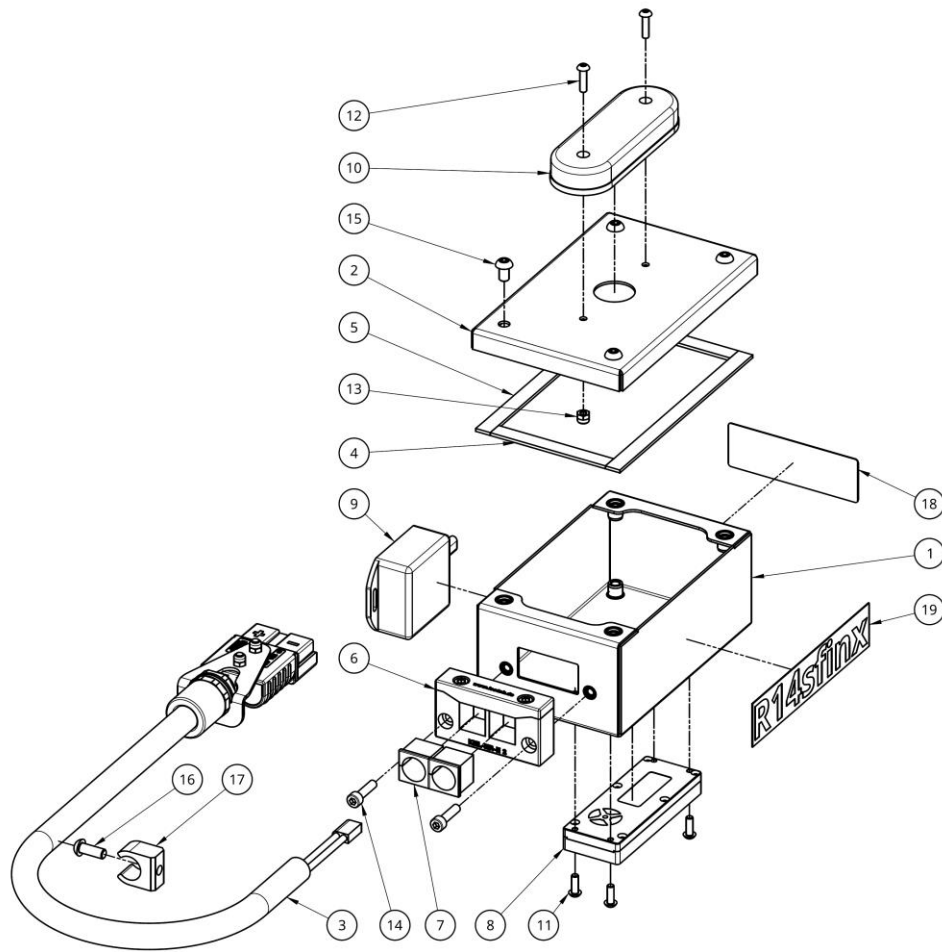
8 HOLDER L



Item No.	Part number	Description	Quantity
1	B332100L	14 HOLDER L	1
2	B332200	14 TOP BRACKET	1
3	B332300	14 STOP FRAME	1
4	B330030	14 STOP HEX	1
5	B330040	14 AXLE RING	2
6	B330120	14 STOP RUBBER	2
7	B330180	14 SPRING HOLDER	2
8	B312080	48 AXLE FLANGE BOTTOM	2
9	B315030	48 ROPE LINK	2
10	G1500	SHOCK ABSORBER	1
11	G1501	ADAPTER	1
12	G0303	TENS SPRING	1
13	G0350	COMP SPRING	2
14	G0351	COMP SPRING	2
15	G0112	BUTTON LOCK PIN 16/55	1
16	G0123	BUTTON LOCK PIN 10/70	1
17	G0121	BUTTON LOCK PIN 10/45	1
18	F4530	BEARING	2
19	F4206	BUSHING	1
20	F0506	BUTTON SCREW	4
21	F3004	WASHER	8
22	F2001	LOCK NUT	1
23	F3003	WASHER	2
24	F0113	HEX BOLT	1
25	F0109	HEX BOLT	1
26	F2002	LOCK NUT	4
27	F0207	HEX BOLT	2
28	F0104	HEX BOLT	1
29	F0318	SOCKET SCREW	2
30	F3205	LARGE WASHER	4
31	S1024	PRODUCTION PLATE R14SFIX L	1



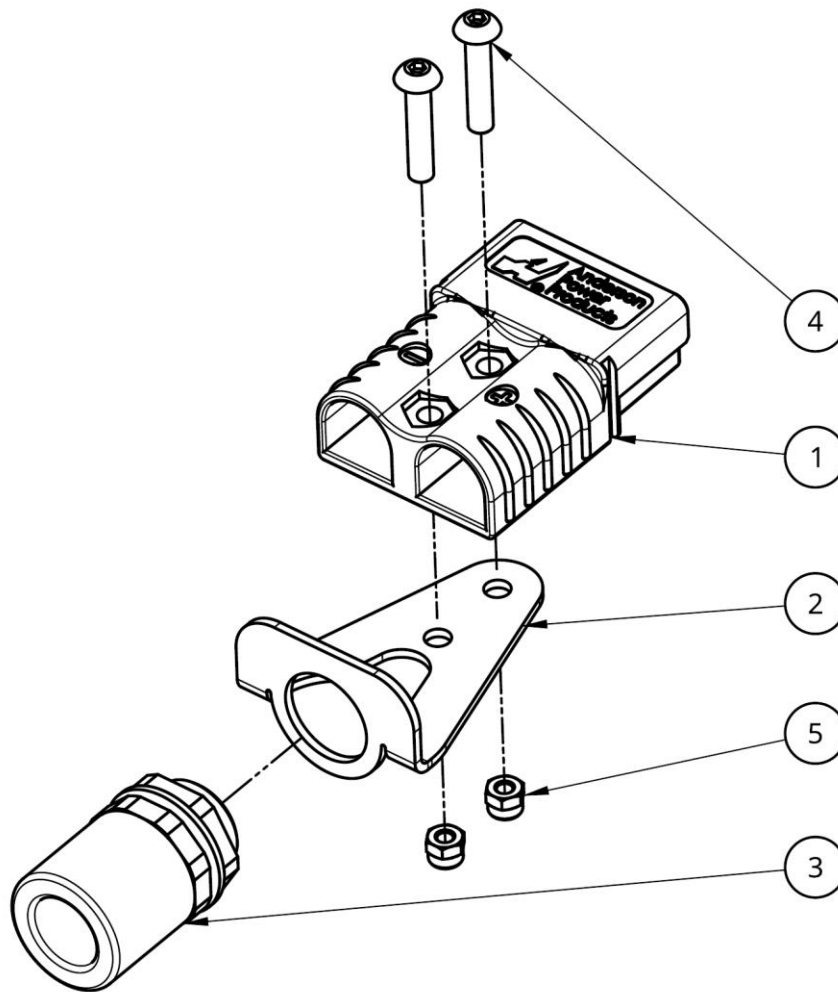
9 BOX ASM



Item No.	Part number	Description	Quantity
1	B340010	14 BOX COOLER	1
2	B340020	14 BOX COVER	1
3	B340030	AM RAYMO-1X POWER CABLE	1
4	B340040	BOX COVER GASKET 080	2
5	B340050	BOX COVER GASKET 160	2
6	E3010	GLAND FRAME	1
7	E3011	GLAND INSERT	2
8	E2010	RAYMO AM CONTROL UNIT	1
9	E2062	DC CONVERTER MODULE 12V/15W	1
10	E2100	BEACON	1
11	F0514	BOTTON SCREW	4
12	F0525	BOTTON SCREW	2
13	F2005	LOCK NUT	2
14	F0317	SOCKET SCREW	2
15	F0507	BUTTON SCREW	4
16	F0531	SOCKET SCREW	1
17	E3150	TUBE CLIP MOUNT 16MM	1
18	S2035	DECAL WARNING R14 BOX	1
19	S3063	DECAL R14 LOGO R14SFIX	1



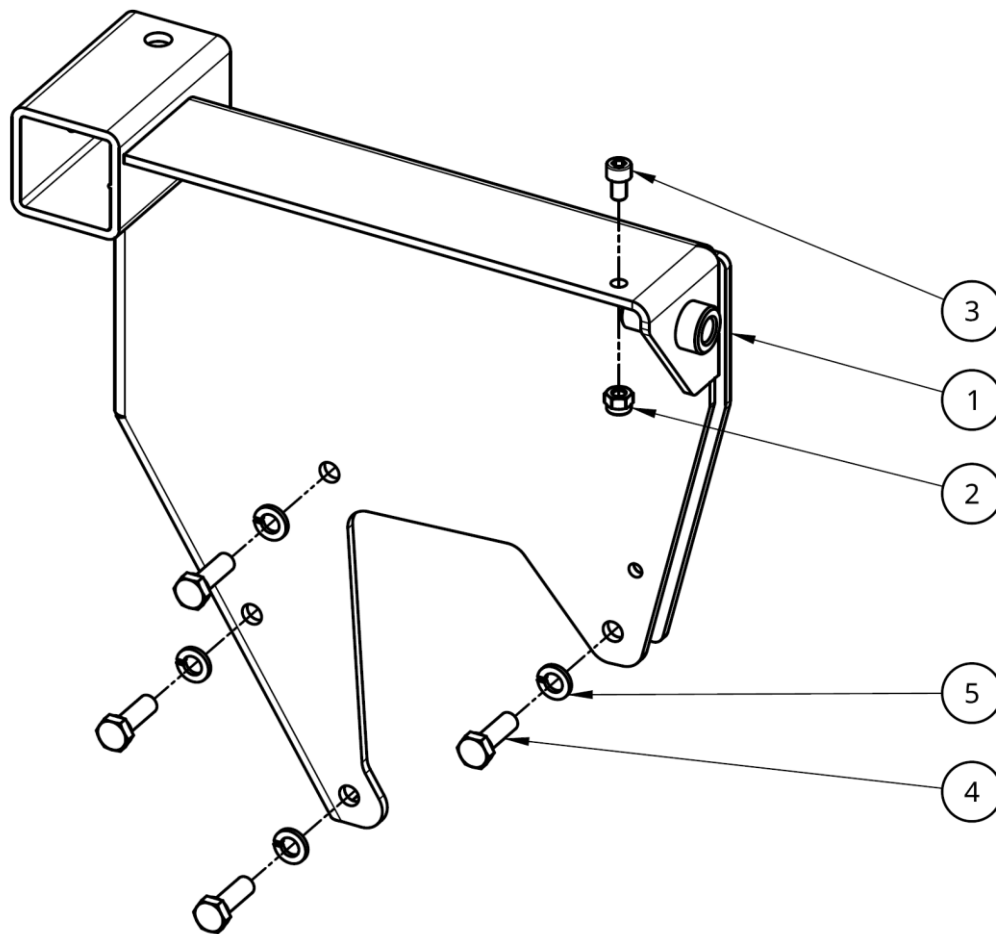
10 CONECTOR ASM



Item No.	Part number	Description	Quantity
1	E3302	CONECTOR SB120 B	1
2	B060180	SB120 TUBE HANDLE	1
3	E3131	CABLE GLAND	1
4	F0510	BUTTON SCREW	2
5	F2005	LOCK NUT	2



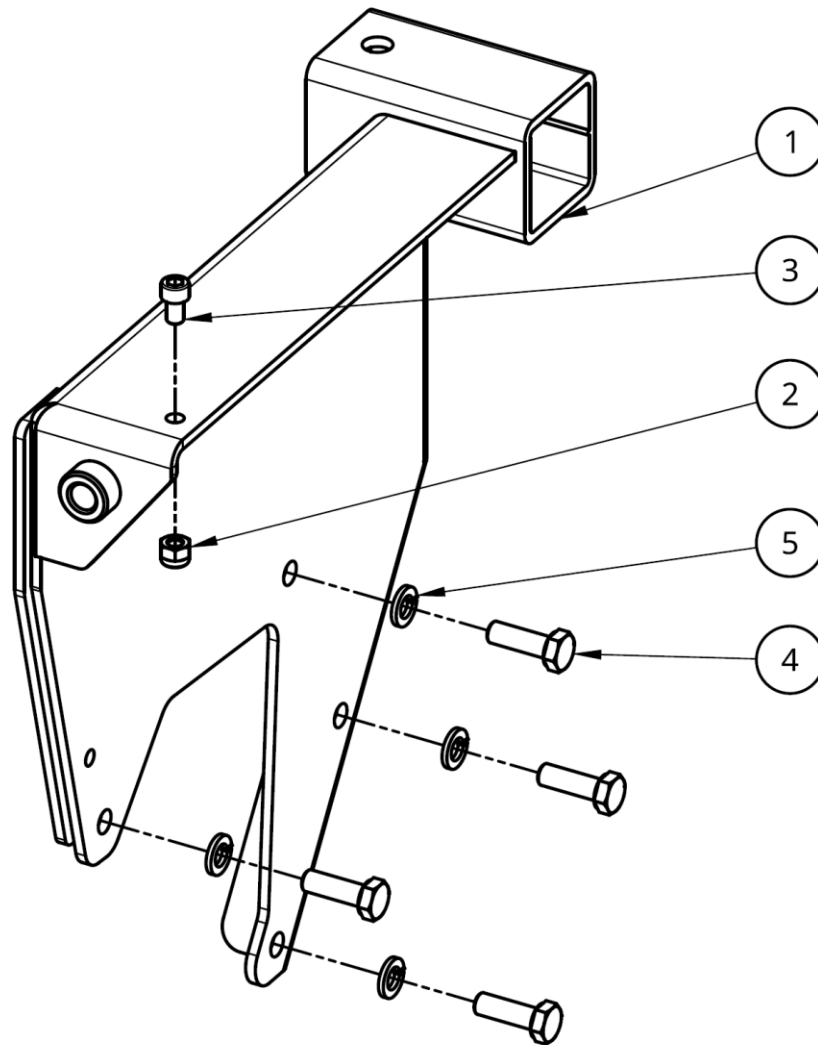
11 WFRAME R



Item No.	Part number	Description	Quantity
1	B331100R	14 WFRAME R	1
2	F2003	LOCK NUT	1
3	F0306	SOCKET SCREW	1
4	F0206	HEX BOLT M8x25	4
5	F3102	SPRING WASHER	4



12 WFRAME L



Item No.	Part number	Description	Quantity
1	B331100L	14 WFRAME L	1
2	F2003	LOCK NUT	1
3	F0306	SOCKET SCREW	1
4	F0206	HEX BOLT M8x25	4
5	F3102	SPRING WASHER	4

